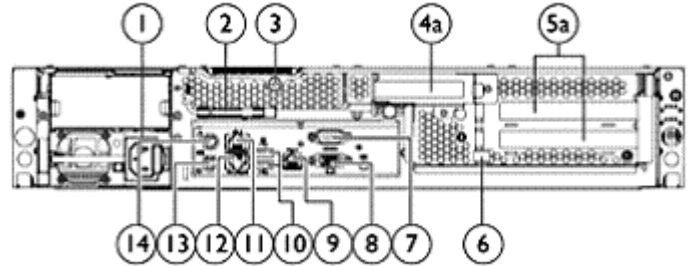
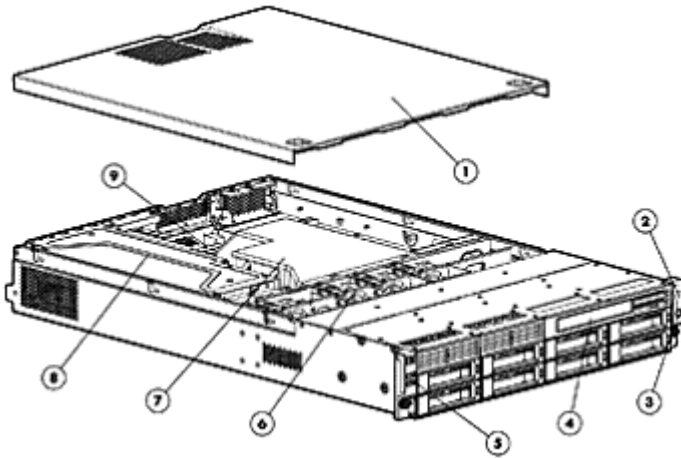


Overview



Front View:

1. Access panel
2. Front LED Indicators
3. Power on/off
4. Optional DVD-RW or DVD-ROM drive
5. Front USB Ports (2)
6. Non-Hot Plug Non redundant fans (4 fans)
7. Air Baffle
8. PCI Cage
9. System Board

Rear View:

1. Power Supply Cable Socket
2. T10/T15 Wrench
3. Thumbscrew For Top Cover
4. Low Profile Card Slot
5. PCI Expansion Card Slot (top is slot 2, bottom is slot 1)
6. Thumbscrew For PCI Cage
7. Serial Port
8. VGA Port
9. Management LAN Port
10. Two USB 2.0 Ports
11. GbE LAN Port For NIC2
12. GbE LAN Port For NIC1
13. PS/2 Keyboard Port (purple)
14. PS/2 Mouse Port (green)

What's New

- Support for SATA Hot Plug 3.5" Midline (MDL) Hard Drives
- Support for Smart Array Controller with BBWC

At A Glance

The new HP ProLiant DL185 G5 is a 2U, dual processor server designed for quality, performance, and flexible deployments to meet the needs of the emerging markets, SMB market, and Corporate scale out.

- **Processors:**
 - Supports up to two Quad-Core AMD Opteron™ 2300 sequence processors
- **Memory:**
 - Supports up to 32 GB PC2-6400 DIMMs (DDR2-800) with Advanced ECC

Overview

- Supports up to 64 GB PC2-5300 DIMMs (DDR2-667) with Advanced ECC
- **Internal Drive Support:**
 - Internal storage capacity (up to 14 hard drives via CTO or up to 12 hard drives via BTO)
 - 8 hard drive models:
 - SAS/SATA Capacity: Supports up to 16.0TB (8 x 2TB)
 - 12 hard drive models:
 - SAS/SATA Capacity: Supports up to 24.0TB (12 x 2TB)
 - Optional 14 drive support available with Rear 2 Hard Drive Kit
NOTE: Available via CTO only
 - SAS/SATA Capacity: 24.0TB (14 x 2TB)
- **Network Controller:**
 - Embedded NC7782 Dual Port PCI-X 10/100/1000T Gigabit network adapter
- **Storage Controllers:**
 - 8 hard drive models
 - HP Smart Array E200/128 BBWC Controller
 - 12 hard drive models
 - HP Smart Array P400/256MB Controller
- **Expansion Slots:**
 - Standard Riser: (1) x4 PCI-E (LP), (2) x8 PCI-E (FL/FH)
 - Option 1: (1) x4 PCI-E (LP), (2) 100MHz PCI-X 64-bit
 - Option 2: Rear DVD optional riser, (2) x8 PCI-e FL/FH slots (12HDD model only, replaces LP PCI-e slot)
 - Option 3: (1)x4 PCI-E (LP), Rear dual HDDs (12HDD model only, replaces all FL/FH PCI-e slots)
- **Infrastructure Management:**
 - HP ProLiant Lights Out 100i Remote Management support (IPMI 2.0 and SMASH support)
 - Virtual Media plus Virtual KVM support with LO100i Advanced license
 - HP Insight Control for Linux, a product option, delivers essential infrastructure management that can help save time and money by making it easy to deploy, migrate, monitor, control and optimize your IT infrastructure through a single, simple management console. Insight Control for Linux supports Linux-based central management servers.
- **USB Ports:**
 - Five USB ports (2) up front, (2) rear, (1) internal (optional)
- **Optical Drive:**
 - Support for one (optional): Multi-bay DVD
 - **NOTE:** For 12 hard drive models, optical drive support is available via rear DVD cage kit (P/N 513168-B21). DVD Drive not included.
 - Optional Floppy (USB only, USB key)
- **Power Supply:**
 - 750W Power Supply (Hot Plug, Autoswitching) ships standard
 - High Efficiency 1200W Power Supply (Redundant Hot Plug, Autoswitching) (Optional) CSCI 2007/2008
 - **NOTE:** Climate Savers Computing Initiative, 2007-2008 Listed Compliant)
- **Form Factor:**
 - Rack (2U), (3.5 in/8.89 cm)
- **Deployment/Serviceability:**
 - Tooled access to all system components for easy in rack serviceability
 - Customer Self Repair (CSR): HP products are designed with many CSR parts to minimize repair time and allow for greater flexibility in performing defective parts replacement
- **Warranty:**
 - This product is covered by a global limited warranty and supported by HP Services and a worldwide network of HP Authorized Channel Partners. Hardware diagnostic support and repair is available for one year from date of purchase. Support for software and initial setup is available for 90 days from date of purchase. Enhancements to warranty services are available through HP Care Pack services or customized service agreements. Hard drives have either a one year or three year warranty; refer to the specific hard drive QuickSpecs for details.
NOTE: Server Warranty includes 1 year Parts, 1 year Labor, 1-year on-site support (3-1-1-in AP and Brazil) with next

Overview

business day response. Warranty repairs may be accomplished through the use of Customer Self Repair (CSR) parts. These parts fall into two categories: 1) Mandatory CSR parts are designed for easy replacement. A travel and labor charge will result when customers decline to replace a Mandatory CSR part; 2) Optional CSR parts are also designed for easy replacement but may involve added complexity. Customers may choose to have HP replace Optional CSR parts at no charge. Additional information regarding worldwide limited warranty and technical support is available at: <http://h18004.www1.hp.com/products/servers/platforms/warranty/index.html>.

Standard Features

NOTE: For the Standard Features shipped in the "Factory Integrated Models", please see the "Configuration Information - Factory Integrated Models" section.

Processor

One of the following depending on Model

- AMD Opteron™ processor Quad-Core Model 2389 (2.9 GHz, 75W ACP)
- AMD Opteron™ processor Quad-Core Model 2384 (2.7 GHz, 75W ACP)
- AMD Opteron™ processor Quad-Core Model 2380 (2.5 GHz, 75W ACP)
- AMD Opteron™ processor Quad-Core Model 2379 (2.4 GHz, 55W ACP)
- AMD Opteron™ processor Quad-Core Model 2376 (2.3 GHz, 75W ACP)
- AMD Opteron™ processor Quad-Core Model 2374HE (2.2 GHz, 55W ACP)
- AMD Opteron™ processor Quad-Core Model 2356 (2.3 GHz, 75W ACP)
- AMD Opteron™ processor Quad-Core Model 2354 (2.2 GHz, 75W ACP)
- AMD Opteron™ processor Quad-Core Model 2352 (2.1 GHz, 75W ACP)
- AMD Opteron™ processor Quad-Core Model 2346HE (1.8 GHz, 55W ACP)
- AMD Opteron™ processor Quad-Core Model 2344HE (1.7 GHz, 55W ACP)

NOTE: Processor wattage references reflect Average CPU Power (ACP). For more information on ACP visit: <http://www.amd.com/powernow>.

Upgradeability Upgradeable to two processors

Chipset ServerWorks HT2100 and HT1000

Cache Memory 4 x 512 KB Level 2 cache and 6 MB shared Level 3 cache (2300 sequence)
One of the following depending on Model 4 x 512 KB Level 2 cache and 2 MB shared Level 3 cache (2300 sequence)
2 x 1 MB Level 2 cache (2200 sequence)

Memory Protection Advanced ECC capabilities

Standard Features

Memory

One of the following depending on Model

Type	REG PC2-5300 DIMMs (DDR2-667)	
	NOTE: DIMM banks are active only when the corresponding processor socket is populated.	
Standard - 2200 series (8 Hard Drive Model)	1 GB	(2 x 512 MB)
Standard - 2300 series (8 Hard Drive Model)	2 GB	(2 x 1 GB)
Standard (12 Hard Drive Model)	4 GB	(2 x 2 GB)
Maximum	64 GB	(8 x 8 GB)
Type	REG PC2-6400 DIMMs (DDR2-800)	
Standard - 2300 series (8 Hard Drive Model)	2 GB	(2 x 1 GB)
	4 GB	(2 x 2 GB)
Standard (12 Hard Drive Model)	4 GB	(2 x 2 GB)
Maximum	32 GB	(8 x 4 GB)

Network Controller

Embedded NC7782 Dual Port PCI-X 10/100/1000T Gigabit network adapter

Expansion Slots #	Technology	Bus Width	Connector Width*	Bus Number**	Form Factor	Notes
1	PCI-Express	x8	x8	4	Full Length/ Full Height	
2	PCI-Express	x8	x8	3	Full Length/ Full Height	
3	PCI-Express	x4	x8	5	Low Profile	
1*	PCI-X	64-bit	N/A	Dynamic	Low Profile	Device Number 1
2*	PCI-X	1333	N/A	Dynamic	Low-Profile	Device Number 2

* Optional - With PCI-X riser installed, replacing Full Length/Full Height PCI-e slots.

** Slots are enumerated differently based on OS. MS OS's enumerate from lowest to highest Device ID by bus (starting with the lowest bus).

Storage Controller

8 Hard Drive Models HP Smart Array E200/128 BBWC Controller
 12 Hard Drive Models HP Smart Array P400/256 MB Controller

NOTE: A diskette drive is needed to install storage controller drivers during a Windows operating system installation from CD.

Standard Features

Storage	Diskette Drive	Via USB only	
	Optical Drives	None standard Optional 8x DVD-RW drive, slim NOTE: For 12 hard drive models, optical drive support is available via rear DVD cage kit (P/N 513168-B21).	
	Hard Drives	None Standard NOTE: Up to 14 Hot Plug SAS/SATA 3.5" hard drives supported via installation of the Rear 2 Hard Drive Option Kit (P/N 449736-B21). Supports 12 hard drive server models only. Hard Drives not included.	

Maximum Internal Storage	Hot Plug SATA	24.0TB	14 x 2TB
	Hot Plug SAS	14.0TB	14 x 1TB

NOTE: Fourteen (14) hard drives are available via CTO only with the Rear 2 Hard Drive Kit. For additional information; please see the Configuration to Order section in this QuickSpecs.

Interfaces	Network RJ-45 (Ethernet)	2 10/100/1000 NIC ports (plus 1 dedicated for the HP ProLiant Lights Out 100i Remote Management)	
	Serial	1	
	Pointing Device (Mouse)	1	
	Graphics	1	
	Keyboard	1	
	USB	5 total ports: (2) USB up front, (2) port rear, (1) port internal (optional) NOTE: Please see the following URL for additional information regarding USB support: http://h18004.www1.hp.com/products/servers/platforms/usb-support.html .	

Graphics	32 MB shared supporting 1600x1200x16M resolution
----------	--------------------------------------------------

Form Factor	Rack (2U), (3.5 in/8.89 cm)
-------------	-----------------------------

Embedded Manageability	Lights-Out 100i	HP Lights-Out 100i Remote Management delivers affordable, entry level remote management capabilities for HP ProLiant 100 Series servers with embedded LO100i. It allows customers or their service providers to remotely manage ProLiant 100 Series servers remotely over a LAN or the Internet and consists of the following: <ul style="list-style-type: none">● LO100i Standard is embedded remote management and provides basic remote control via telnet, browser, and IPMI 2.0 and SMASH● LO100i Advanced Pack License are upgrades for all the features of LO100i Select plus Virtual KVM (graphical hardware-based, remote console)
------------------------	-----------------	----------------------------------------------------------------------------------------------------------------------------------------------------------------------------------------------------------------------------------------------------------------------------------------------------------------------------------------------------------------------------------------------------------------------------------------------------------------------------------------------------------------------------------------------------------------------------------------------------------------------------------------------------------------------------------

NOTE: Flexible and volume quantity (AKA) license kits are available for

Standard Features

Lights-Out 100 Advanced Pack licenses as well as Electronic License To Use (E-LTU). AKA Tracking licenses require a 100 unit minimum forecast at initial contract signing. For these additional part numbers, please refer to each software products' QuickSpecs at this link for more information:

<http://h18004.www1.hp.com/products/servers/management/remotemgmt.html>

HP Insight Control management software

HP Insight Control for Linux

HP Insight Control for Linux, as a product option, delivers essential infrastructure management that can help save time and money by making it easy to deploy, monitor, remote control, and optimize your IT infrastructure through a single, simple management console. The Insight Control for Linux suite installs and license software modules that are integrated into HP System Insight Manager.

The HP Insight Control suite for Linux (IC-Linux) serves environments requiring a Linux-based management consoles. See www.hp.com/go/ic-linux

HP Insight Control suites include one year of 24 x 7 HP Software Technical Support and Update Service ensuring rapid access to HP support staff and proactive delivery of software updates. For more information about this service, please visit: <http://www.hp.com/services/insight>.

Insight Control server deployment

HP Insight Control server deployment is a deployment solution for HP ProLiant and Integrity servers hosted on a Windows CMS. It automates the process of deploying and provisioning server software, enabling companies to quickly and easily adapt to changing business demands. Insight Control server deployment includes software optimizations for HP servers, including the HP scripting toolkits, configuration jobs for leading industry-standard operating systems, sample unattended files, and HP server support packs that include software drivers, management agents, and important documentation. Deploying servers can be accomplished either through imaging or through scripting.

Insight Control server deployment is hosted on a Windows server and is intended for heterogeneous environments deploying Windows, Linux, VMware ESX and Microsoft Hyper-V systems.

Insight Control server deployment includes one year of 24 x 7 HP Software Technical Support and Update Service ensuring rapid access to HP support staff and proactive delivery of software updates. For more information about this service, please visit: <http://www.hp.com/services/insight>.

Industry Standard Compliance

ACPI V2.0 Compliant
PCI 2.2 Compliant
PXE Support
WOL Support
Microsoft® Logo certifications
IPMI 2.0 Compliant

Standard Features

Manageability	Embedded HP ProLiant Lights Out 100i Remote Management with upgrades to LO100i Advanced
Security	Power-on password Setup password
Server Power Cords	One Highline IEC Power cord ships standard (for connection to a Power Distribution Unit) NOTE: HP ProLiant DL servers no longer ship standard with NEMA power cords that allow connection to 110V wall outlets in a home or office. HP ProLiant DL servers are primarily connected to PDU's in data center racks so they now ship standard with only a PDU power cord. If a user wishes to power a ProLiant DL server using a 110V receptacle (NEMA-15), the NEMA power cord (AF556A) must be ordered separately. If a local power cord is required, please reference the following power cord matrix: http://www.hp.com/go/powercordmatrix .
UPS and PDU Power Cord Matrix	Please see the UPS and PDU cable matrix that lists cable descriptions, requirements, and specifications for UPS and PDU units: http://h18004.www1.hp.com/products/servers/proliantstorage/power-protection/index.html .
Power Supply	750 Watts - (Hot Plug, Autoswitching) Ships Standard 1200 Watts - High Efficiency 12V Hot Plug AC Power Supply (Autoswitching) 750 Watts - Power Supply (Redundant Hot Plug, Autoswitching) (Optional) 1200 Watts - High Efficiency Power Supply (Redundant Hot Plug, Autoswitching), CSCI 2007/2008 (Optional) NOTE: Climate Savers Computing Initiative, 2007-2008 Compliant. NOTE: Redundant Power Supply configuration for 1200W power supply requires both power supplies to be 1200W. The 1200W and 750W power supplies cannot be mixed. NOTE: For additional information please see the Options section of this QuickSpecs.
System Fans	4 system fans ship standard; Non-hot plug, Non-redundant
Operating Systems and Virtualization Software	Microsoft Windows Server Red Hat Enterprise Linux (RHEL) SUSE Linux Enterprise Server (SLES) NOTE: For more information on HP's Certified and Supported ProLiant Servers for OS and Virtualization Software and latest listing of software drivers available for your server, please visit our Support Matrix at: : http://www.hp.com/go/supportos and our driver download page http://www.hp.com/support/DL185G5

Standard Features

Rack Airflow Requirements

Rack 10000 G2 series Cabinets

The increasing power of new high-performance processor technology requires increased cooling efficiency for rack-mounted servers. The 10000 G2 Series Racks provide enhanced airflow for maximum cooling, allowing these racks to be fully loaded with servers using the latest processors.

CAUTION: If a third-party rack is used, observe the following additional requirements to ensure adequate airflow and to prevent damage to the equipment:

Front and rear doors: If your 42U server rack includes closing front and rear doors, you must allow 830 square inches (5,350 sq cm) of hole evenly distributed from top to bottom to permit adequate airflow (equivalent to the required 64 percent open area for ventilation).

Side: The clearance between the installed rack component and the side panels of the rack must be a minimum of 2.75 inches (7 cm).

CAUTION: Always use blanking panels to fill all remaining empty front panel U-spaces in the rack. This arrangement ensures proper airflow. Using a rack without blanking panels results in improper cooling that can lead to thermal damage.

Rack Kit

HP ProLiant DL185 G5 servers have fixed rails which provide support for round or square mounting holes, including Compaq/HP 7000, 9000, 10000 and HP series), with an adjustment range of 26" - 36".

Telco and Threaded Hole Rack Support

Support for all 2-post Telco racks and threaded hole racks requires an additional option kit from Rack Solutions. The Rack Solutions brackets can be purchased at: www.hp.com/go/rackandpower

HP Factory Express Capability

HP Factory Express offers configuration, customization, integration and deployment services for HP servers and storage products. Customers can choose how their factory solutions are built, tested, integrated, shipped and deployed.

Factory Express offers service packages for simple configuration, racking, installation, complex configuration and design services as well as individual factory services, such as image loading, asset tagging, and custom packaging. HP products supported through Factory Express include a wide array of servers and storage: HP Integrity, HP ProLiant, HP ProLiant Server Blades, HP BladeSystem, HP 9000 servers as well as the MSAxxx, VA7xxx, EVA, XP, rackable tape libraries and configurable network switches.

For more information on Factory Express services for your specific server model please contact your sales representative or go to: <http://www.hp.com/go/factory-express>.

HP Enterprise Configurator

The HP eConfigure Enterprise Configurator now provides factory default racking for our HP hardware portfolio. This approach is aligned with our strategic direction to meet the needs and expectations of our valued customers. If you require "custom" rack configuration, please contact HP's Customer Business Center or an Authorized Partner for assistance. <http://www.hp.com/products/configurator>.

Standard Features

Service and Support

HP Care Pack Services provide total care and support expertise with committed response designed to meet your IT and business needs.

HP Care Pack services include coverage for the HP branded hardware options qualified for the server that are purchased at the same time or afterward and internal to the enclosure. It also includes the 22" and smaller external monitors and tower UPS options up to 3kVA. These items will be covered at the same service level and for the same coverage period as the server. Coverage of UPS Battery is not included and standard warranty terms & conditions apply. For servers or storage systems installed within a rack, service also covers all HP qualified rack options installed within the same rack.

To fully capitalize on your HP ProLiant servers' capabilities requires a service partner who thoroughly understands your server technology and systems environment. HP Services, an industry leader in provision of multi vender support solutions provides a range of support services designed to meet the varying needs of business. Whether an SMB or large global corporation HP has a ProLiant server support offer to help you speedily deploy and maximize system uptime.

Recommended Service – Simplify ProLiant solution implementation, maintenance and management.

- **Support Service** – 3-Year 24x7 4 hr Response service support coverage
- **Deployment Service** – Hardware Installation only

Enhanced Service – Optimize service level to increase IT performance and availability

- **Support Service** - 3-Year 24x7 24 hr Call to repair service support coverage
- **Support** - 3-Year 24x7 6 hr Call to repair service support coverage
- **Support Plus** - 24x7 4 hr Response service support including OS coverage

Installation & Start-Up of a ProLiant server and Microsoft or Linux O/S per the Customer Description and/or Data Sheet. To be delivered on a scheduled basis 8am-5pm, M-F, excl. HP holidays.

For a complete listing of service offerings and information visit:

<http://www.hp.com/services/proliantservices>

<http://h20219.www2.hp.com/services/us/en/warranty/carepack-servers-proliant.html>

Models

Hot Plug Serial ATA (SATA)/Serial Attached SCSI (SAS) Models

<p>8 Hard Drive Models</p> <p>HP DL185G5 2374HE 2GB, (1P), 8LFF 507339-001</p> <p>HP DL185 G5 2380, 4GB, (1P), 8LFF 507404-001</p> <p>HP DL185 G5 2376, 2GB (1P), 8LFF 504445-001</p>	<p>Processor(s) One of the following depending on model</p> <p>Cache Memory One of the following depending on model</p> <p>Memory One of the following depending on model</p> <p>Network Controller</p> <p>Storage Controller</p> <p>Hard Drive</p> <p>Internal Storage</p> <p>Optical Drive</p> <p>Power Supply</p> <p>Fans</p> <p>Form Factor</p>	<p>(1) Quad-Core AMD Opteron™ processor Model 2380 (2.5 GHz, 75W)</p> <p>(1) Quad-Core AMD Opteron™ processor Model 2376 (2.3 GHz, 75W)</p> <p>(1) Quad-Core AMD Opteron™ processor Model 2374HE (2.2 GHz, 55W)</p> <p>4 x 512 KB Level 2 cache and 6 MB shared Level 3 cache (2300 sequence)</p> <p>4 x 512 KB Level 2 cache and 2 MB shared Level 3 cache (2300 sequence)</p> <p>2 GB (2 x 1 GB) Registered PC2-6400 DDR2 DIMMs (800MHz) with Advanced ECC capabilities (2376 model)</p> <p>4 GB (2 x 2 GB) Registered PC2-6400 DDR2 DIMMs (800MHz) with Advanced ECC capabilities (2376 and 2380 models)</p> <p>Embedded NC7782 Dual Port PCI-X 10/100/1000T Gigabit network adapter</p> <p>HP Smart Array E200 Controller</p> <p>None ship standard</p> <p>8TB maximum</p> <p>Optional</p> <p>750Watts - Hot-plug (Ships standard)</p> <p>4 system fans ship standard; Non-hot plug, Non-redundant</p> <p>Rack (2U), (3.5 in/8.89 cm)</p>
<p>12 Hard Drive Models</p> <p>HP DL185 G5 2376, 4GB (1P), 12LFF 507403-001</p>	<p>Processor(s)</p> <p>Cache Memory</p> <p>Memory</p> <p>Network Controller</p> <p>Storage Controller</p> <p>Hard Drive</p> <p>Internal Storage</p> <p>Optical Drive</p> <p>Power Supply</p> <p>Fans</p> <p>Form Factor</p>	<p>(1) Quad-Core AMD Opteron™ processor Model 2376 (2.3 GHz, W75)</p> <p>(4 x 512 KB) Level 2 cache and 2 MB shared Level 3 cache (2300 sequence)</p> <p>4 GB (2 x 2 GB) Registered PC2-5300 DDR2 DIMMs (667MHz) with Advanced ECC capabilities</p> <p>Embedded NC7782 Dual Port PCI-X 10/100/1000T Gigabit network adapter</p> <p>HP Smart Array P400/256 MB Controller</p> <p>None ship standard</p> <p>12TB maximum</p> <p>Optional</p> <p>750Watts - Hot plug (Ships standard)</p> <p>4 system fans ship standard; Non-hot plug, Non-redundant</p> <p>Rack (2U), (3.5 in/8.89 cm)</p>

Smart Buys

The ProLiant Smart Buy program offers a collection of promotional server and option products that are configured with SMB in mind, offered at discounted prices, and positioned for quick delivery. Smart Buy server offers are available for a limited time only.

S-Buy DL185G5 2354 2P 470064-765	Processor(s)	(2) Quad Core AMD Opteron™ Processor 2354 (2.2 GHz, 75W ACP)
	Cache Memory	2MB shared Level 3 cache
	Memory	4GB Registered PC2-5300 4x1 GB, single rank
	Network Controller	Integrated NC326i PCIe Dual Port Gigabit Server Adapter
	Storage Controller	Smart Array P400/256 Controller
	Hard Drive	(8) 146GB/15K 3.5" SP included; up to (12) 3.5" hot plug hard drives supported
	Internal Storage	8TB Maximum
	Optical Drive	Rear DVD-RW
	Power Supply	750W Redundant Power Supplies Included
	Fans	4 system fans ship standard; Non-hot plug, Non-redundant
	Form Factor	Rack Mount (2U), (3.5 in/8.89 cm)

S-Buy DL185G5 2376 509579-005	Processor(s)	(1) Quad Core AMD Opteron™ Processor 2376 (2.3 GHz, 75W ACP)
	Cache Memory	4 x 512 KB Level 2 cache
	Memory	2GB Registered PC2-6400 2x1 GB, single rank
	Network Controller	Integrated NC326i PCIe Dual Port Gigabit Server Adapter
	Storage Controller	Smart Array E200/128 BBWC Controller
	Hard Drive	Not included; up to (8) 3.5" hot plug hard drives supported
	Internal Storage	14TB Maximum
	Optical Drive	DVD-RW
	Power Supply	Not included
	Fans	Not available
	Form Factor	Rack Mount (2U), (3.5 in/8.89 cm)

S-Buy DL185G5 2380 2GB 470065-037	Processor(s)	(1) Quad Core AMD Opteron™ Processor 2380 (2.3 GHz, 75W ACP)
	Cache Memory	4 x 512 KB Level 2 cache
	Memory	2GB Registered PC2-6400 2x1 GB, single rank
	Network Controller	Integrated NC326i PCIe Dual Port Gigabit Server Adapter
	Storage Controller	Smart Array E200/128 BBWC Controller
	Hard Drive	Not Included; up to (8) 3.5" hot plug hard drives supported
	Internal Storage	14TB Maximum
	Optical Drive	DVD-RW
	Power Supply	Not included
	Fans	Not available
	Form Factor	Rack Mount (2U), (3.5 in/8.89 cm)

Smart Buys

S-Buy DL185G5 2376 2P Processor(s)
2G RPS
470065-038

Cache Memory

Memory

Network Controller

Storage Controller

Hard Drive

Internal Storage

Optical Drive

Power Supply

Fans

Form Factor

(2) Quad Core AMD Opteron™ Processor 2376 (2.3 GHz, 75W ACP)

4 x 512 KB Level 2 cache

4GB Registered PC2-6400 2x2GB

Integrated NC326i PCIe Dual Port Gigabit Server Adapter

Smart Array P400/256 Controller

Not included; up to (12) 3.5" hard drives supported

14TB Maximum

Rear DVD-RW

750W 12V Hot Plug Redundant Power Supplies included

Not available

Rack (2U), (3.5 in/8.89 cm)

Configuration Information - Factory Integrated Models

NOTE: This section lists some of the steps required to configure a Factory Integrated Model. To ensure only valid configurations are ordered, HP recommends the use of an HP approved configurator. Contact your local sales representative for information on CTO product offerings and requirements.

NOTE: HP does not allow factory integration of options into standard models listed above. Configure-to-order servers must start with a CTO Chassis.

NOTE: FIO indicates that this option is a Factory Installable Option.

NOTE: Eight drive models cannot be field upgraded to twelve drive model. Fourteen drive servers available via CTO only - customer must begin with the selection of the 12 drive CTO chassis cage.

NOTE: Customers requiring a DVD with a 12 hard drive model must order a rear DVD option kit. The DVD drive must be ordered separately.

Step 1: Base Configuration

HP ProLiant DL185 G5 CTO Chassis 444764-B21

Factory Integrated Model ships with:

Embedded NC7782 Dual Port PCI-X 10/100/1000T Gigabit network adapter

Standard Riser: (1) x4 PCI-E (LP), (2) x8 PCI-E (FL/FH)

NOTE: Optional PCI-X option kit includes: Slot 1 and 2: full-length/full-height PCI-X 100. PCI-X slots are 64 bits; 133 MHz capable if only one PCI-X card is installed in the server.

750W Power Supply (Hot Plug, Autoswitching) (Standard)

One Highline IEC Power Cord

Four (4) Non-Hot Plug Fans

Rack Mount (2U), (3.5 in/8.89 cm)

Step 2: Choose Required Options (only one of the following from each list unless otherwise noted)

HP Processors	AMD Opteron™ processor Quad-Core Model 2389 (2.9 GHz, 75W ACP), FIO	504777-L21
	AMD Opteron™ processor Quad-Core Model 2384 DL185G5 (2.7 GHz, 75W ACP), FIO	506841-L21
	AMD Opteron™ processor Quad-Core Model 2380 (2.5 GHz, 75W ACP), FIO	500813-L21
	AMD Opteron™ processor Quad-Core Model 2379 (2.4 GHz, 55W ACP), FIO	500809-L21
	AMD Opteron™ processor Quad-Core Model 2376 (2.3GHz, 75W ACP), FIO	504775-L21
	AMD Opteron™ processor Quad-Core Model 2374HE (2.2 GHz, 55W ACP), FIO	507340-L21
	AMD Opteron™ processor Quad-Core Model 2344HE (1.7 GHz, 55W ACP), FIO	490833-L21

NOTE: Processor wattage references reflect Average CPU Power (ACP). For more information on ACP visit: <http://www.amd.com/powernow>.

HP Memory

NOTE: DIMM banks are active only when the corresponding processor socket is populated.

	1 GB REG PC2-5300 2 x 512 MB Single Rank Kit	408850-B21
	2 GB REG PC2-6400 2 x 1 GB Kit	497763-B21
	2 GB REG PC2-5300 2 x 1 GB Low Power Single Rank Kit	483399-B21
	2 GB REG PC2-5300 2 x 1 GB Single Rank Kit	408851-B21



Configuration Information - Factory Integrated Models

4 GB REG PC2-6400 2 x 2 GB Kit	497765-B21
4 GB REG PC2-5300 2 x 2 GB Low Power Single Rank Kit	483401-B21
4 GB REG PC2-5300 2 x 2 GB Dual Rank Kit	408853-B21
8 GB REG PC2-6400 2 x 4 GB Low Power Kit	504351-B21
8 GB REG PC2-5300 2 x 4 GB Low Power Dual Rank Kit	483403-B21
8 GB REG PC2-6400 2 x 4 GB Kit	497767-B21
8 GB REG PC2-5300 2 x 4 GB Dual Rank Kit	408854-B21
16 GB REG PC2-5300 2 x 8 GB Kit	408855-B21
64 GB REG PC2-5300 8 x 8 GB Kit	495605-B21

HP Drive Cage Options	HP 8 Hard Drive Cage, FIO	451368-B21
	HP 12 Hard Drive Cage, FIO	451369-B21
NOTE: The installation of a 12HDD Cage requires the addition of a Smart Array PX00 Controller or 4-port SAS controller that supports expanders.		

HP Storage Controller	HP Smart Array E200/128 BBWC Controller	411508-B21
	HP Smart Array P400/256 MB Controller	405132-B21
	HP Smart Array P400/512 Controller	411064-B21
	NOTE: When ordering a Smart Array P400 Controller with BBWC the addition of the HP SA-P400 and SA-E500 24 In Battery Cable Kit (417836-B21) is required.	
	HP SA-P400 and SA-E500 24 In Battery Cable Kit	417836-B21
	NOTE: This option kit contains a 24" battery cable and adhesive material for installing a battery into the server if a Smart Array P400 is integrated outside of the factory. For all solutions, please refer to the server QuickSpecs and User's Manual for detailed installation instructions.	
	HP P410/ZM FIO Smart Array Controller	462860-B21
	HP P410/256 FIO SA Cntrlr w/Battery	491195-B21
	HP P212/256 FIO SA Cntrlr w/Battery	491191-B21
HP Smart Array P800 Controller	381513-B21	

Step 3: Choose Additional Factory Integratable Options

HP Unique Options	HP ProLiant DL185 PCI-X Riser Kit	451286-B21
	NOTE: This option kit replaces the two full length/full height slots listed in step 1 base configuration.	
NOTE: Optional PCI-X option kit includes: Slot 1: full-length/full-height PCI-X 100; Slot 2: Full length/Full-height PCI-X 100. PCI-X slots are 64 bits; 133 MHz capable if only one PCI-X card is installed in the server.		
HP Rear Hard Drive Kit	HP DL185 Rear 2 Hard Drive Option Kit, FIO	449736-B21
	NOTE: Supports 12 hard drive server models only. Hard Drives not included.	
NOTE: This option replaces the 2 Full Length, Full Height x8 PCIe slots.		

Configuration Information - Factory Integrated Models

Step 4: Choose Additional Options for Factory Integration

NOTE: For additional options, please refer to the "Core Options and Additional Options" sections below.

Core Options

NOTE: Some options may not be available for factory integration. Please contact an HP sales representative for additional information.

HP Unique Option	HP DL185 Rear DVD Cage Kit NOTE: Used for 12 drive models. DVD Drive not included.	513168-B21
------------------	----------------------------------------------------------------------------------------------	------------

HP Processor	AMD Opteron™ processor Quad-Core Model 2389 (2.9 GHz, 75W ACP)	504777-B21
	AMD Opteron™ processor Quad-Core Model 2384 (2.7 GHz, 75W ACP)	506841-B21
	AMD Opteron™ processor Quad-Core Model 2380 (2.5 GHz, 75W ACP)	500813-B21
	AMD Opteron™ processor Quad-Core Model 2379 (2.4 GHz, 55W ACP)	500809-B21
	AMD Opteron™ processor Quad-Core Model 2376 (2.3 GHz, 75W ACP)	504775-B21
	AMD Opteron™ processor Quad-Core Model 2374HE (2.2 GHz, 55W ACP)	507340-B21
	AMD Opteron™ processor Model 2354 (2.2 GHz, 75W ACP)	468547-B21
	AMD Opteron™ processor Model 2344HE (1.7 GHz, 55W ACP)	490833-B21

NOTE: Processor wattage references reflect Average CPU Power (ACP). For more information on ACP visit: <http://www.amd.com/powernow>.

HP Memory	NOTE: DIMM banks are active only when the corresponding processor socket is populated.	
	1 GB REG PC2-5300 2 x 512 MB Single Rank Kit	408850-B21
	2 GB REG PC2-6400 2 x 1 GB Kit	497763-B21
	2 GB REG PC2-5300 2 x 1 GB Low Power Single Rank Kit	483399-B21
	2 GB REG PC2-5300 2 x 1 GB Single Rank Kit	408851-B21
	4 GB REG PC2-6400 2 x 2 GB Kit	497765-B21
	4 GB REG PC2-5300 2 x 2 GB Low Power Single Rank Kit	483401-B21
	4 GB REG PC2-5300 2 x 2 GB Dual Rank Kit	408853-B21
	8 GB REG PC2-6400 2 x 4 GB Low Power Kit	504351-B21
	8 GB REG PC2-5300 2 x 4 GB Low Power Dual Rank Kit	483403-B21
	8 GB REG PC2-6400 2 x 4 GB Kit	497767-B21
	8 GB REG PC2-5300 2 x 4 GB Dual Rank Kit	408854-B21
	16 GB REG PC2-5300 2 x 8 GB Kit	408855-B21
	64 GB REG PC2-5300 8 x 8 GB Kit	495605-B21

HP Optical Drives	DVD-RW Drive	395498-B22
	DVD-ROM Drive	361040-B22

HP Hard Drives	NOTE: The components of a storage subsystem (e.g. the drive, the HBA/controller, firmware, and the server backplane) should operate at the same data transfer rate or the system bandwidth will be negotiated down to an acceptable level for all components. NOTE: Hard drives have either a one year or three year warranty; refer to the specific
----------------	-----------------------------------------------------------------------------------------------------------------------------------------------------------------------------------------------------------------------------------------------------------------------------------------------------------------------------------------------------------------------



Core Options

hard drive [QuickSpecs](#) for details.

SATA Hot Plug LFF (3.5-inch) Midline (MDL) Drives

HP 2TB 3G SATA 7.2K rpm LFF (3.5-inch) Midline 1yr Warranty Hard Drive	507632-B21
HP 1TB 3G SATA 7.2K rpm LFF (3.5-inch) Midline 1yr Warranty Hard Drive	454146-B21
HP 750GB 3G SATA 7.2K rpm LFF (3.5-inch) Midline 1yr Warranty Hard Drive	458930-B21
HP 500GB 3G SATA 7.2K rpm LFF (3.5-inch) Midline 1yr Warranty Hard Drive	458928-B21
HP 250GB 3G SATA 7.2K rpm LFF (3.5-inch) Midline 1yr Warranty Hard Drive	458926-B21

SATA Hot Plug LFF (3.5-inch) Entry (ETY) Drives

HP 250GB 3G SATA 7.2K rpm LFF (3.5-inch) Entry 1yr Warranty Hard Drive	571230-B21
HP 160GB 3G SATA 7.2K rpm LFF (3.5-inch) Entry 1yr Warranty Hard Drive	458945-B21

NOTE: Please see the [QuickSpecs](#) for Technical Specifications and additional information:

http://h18000.www1.hp.com/products/quickspecs/13021_na/13021_na.html

SATA Hot Plug LFF (3.5-inch) Drives

HP 750GB 1.5G SATA 7.2K rpm LFF (3.5-inch) 1yr Warranty Hard Drive	432341-B21
HP 500GB 1.5G SATA 7.2K rpm LFF (3.5-inch) 1yr Warranty Hard Drive	395473-B21
HP 250GB 1.5G SATA 7.2K rpm LFF (3.5-inch) 1yr Warranty Hard Drive	349239-B21
HP 160GB 1.5G SATA 7.2K rpm LFF (3.5-inch) 1yr Warranty Hard Drive	349238-B21

NOTE: Please see the [QuickSpecs](#) for Technical Specifications and additional information:

http://h18000.www1.hp.com/products/quickspecs/11940_na/11940_na.html

SATA Hot Plug 3.5" Midline (MDL) Solid State Drives

HP 60GB 3G SATA 3.5in MDL 1y Wty SSD	570761-B21
HP 120GB 3G SATA 3.5in MDL 1y Wty SSD	570763-B21

NOTE: Please see the [QuickSpecs](#) for Technical Specifications and additional information:

http://h18000.www1.hp.com/products/quickspecs/13415_na/13415_na.html

SAS Hot Plug LFF (3.5-inch) Midline (MDL) Drives

HP 1TB 3G SAS 7.2K rpm LFF(3.5-inch) Dual Port Midline 1yr Warranty Hard Drive	461137-B21
HP 750GB 3G SAS 7.2K rpm LFF(3.5-inch) Dual Port Midline 1yr Warranty Hard Drive	461135-B21

SAS Hot Plug LFF (3.5-inch) Enterprise (ENT) Drives

HP 600GB 6G SAS 15K LFF (3.5-inch) Dual Port Enterprise 3yr Warranty Hard Drive	516828-B21
HP 450GB 6G SAS 15K LFF (3.5-inch) Dual Port Enterprise 3yr Warranty Hard Drive	516816-B21
HP 450GB 3G SAS 15K LFF (3.5-inch) Dual Port Enterprise 3yr Warranty Hard Drive	454232-B21
HP 300GB 6G SAS 15K LFF (3.5-inch) Dual Port Enterprise 3yr Warranty Hard Drive	516814-B21
HP 300GB 3G SAS 15K LFF (3.5-inch) Dual Port Enterprise 3yr Warranty Hard Drive	416127-B21
HP 146GB 3G SAS 15K LFF (3.5-inch) Dual Port Enterprise 3yr Warranty Hard Drive	384854-B21

NOTE: The purchase of SAS HBA or array controller is required.

NOTE: Please see the [QuickSpecs](#) for Technical Specifications and additional information:

http://h18000.www1.hp.com/products/quickspecs/12244_na/12244_na.html

Core Options

HP Networking

Gigabit Ethernet Adapters

HP NC112T PCIe Gigabit Server Adapter	503746-B21
HP NC360T PCI Express Dual Port Gigabit Server Adapter	412648-B21
HP NC364T PCI Express Quad Port Gigabit Server Adapter	435508-B21
HP NC373F PCI Express Multifunction Gigabit Server Adapter	394793-B21
HP NC373T PCI Express Multifunction Gigabit Server Adapter	394791-B21
HP NC382T PCI Express Dual Port Multifunction Gigabit Server Adapter	458492-B21

10 Gigabit Ethernet Adapters

HP NC522SFP Dual Port 10GbE Server Adapter	468332-B21
--------------------------------------------	------------

NOTE: A minimum of two Gigabytes (2 GB) of server memory is required per each NC522SFP adapter.

NOTE: Direct Attach Cable (DAC) for copper environments or fiber transceivers and cables for fiber-optic environments must be purchased separately.

NOTE: Please see the QuickSpecs for Technical Specifications and additional information: www.hp.com/go/ProLiantNICs

Additional Options

HP Entry-Level Server Management	HP LO100i Advanced, No Media 1-Server License including 1 year of 24x7 Technical Support and Updates NOTE: For additional information, please see the Lights-Out 100i QuickSpecs at: www.hp.com/go/lo100 .	530521-B21
HP Insight Software	HP Insight Control for Linux HP Insight Control for Linux, 1-server license, including one year of 24x7 Technical Support and Updates, Electronic NOTE: This part number can be purchased as a single license or as multiple licenses with a single activation key. Customer will receive a license entitlement certificate via e-mail. The license entitlement certificate must be redeemed online or via fax in order to obtain the license activation key(s). Includes one year of 24 x 7 HP Software Technical Support and Update Service. NOTE: Electronic LTUs are only available through limited points of sales; if not available, order a printed license entitlement certificate instead. HP Insight Control for Linux, No Media, 1-Server license, including one year of 24x7 Technical Support and Updates HP Insight Control for Linux, Media pack (DVD) - No licenses included NOTE: This optional Media pack DVD contains the ISO image for HP Insight Control for Linux, HP Systems Insight Manager, HP Insight Control power management, HP Insight Control virtual machine management, and an integrated installer. Servers must be acquired separately. NOTE: This Media pack is optional because the latest ISO image and latest updates may be downloaded at no cost from: http://www.hp.com/go/ic-linux (click on Download button). NOTE: Licenses ship without media. The Media Kit for Insight Control for Linux can be ordered separately, or can be downloaded at: http://www.hp.com/go/ic-linux (click on Download button). NOTE: Electronic licenses can be used to purchase multiple licenses with a single activation key, and are available in all countries except China and Japan. Customers in China and Japan should order the physical equivalent. NOTE: Customer will receive a license entitlement certificate, which must be redeemed online or via fax in order to obtain the license activation key(s). Includes one year of 24 x 7 HP Software Technical Support Service. NOTE: For additional License Kits, including electronic licensing options, please see the QuickSpecs at: http://h18000.www1.hp.com/products/quickspecs/13019_na/13019_na.html	TC213AAE TC209A TC208A
	Insight Control server deployment HP Insight Control server deployment Electronic License including 1 year 24x7 Technical Support and Updates HP Insight Control server deployment 1-Server License including 1 year 24x7 Technical Support and Updates NOTE: Licenses ship without media. The Insight Control Media Kit can be ordered separately, or can be downloaded at: http://www.hp.com/go/insightupdates . NOTE: Electronic licenses can be used to purchase multiple licenses with a single activation key, and is available in all countries except China and Japan. Customers in China and Japan should order the physical equivalent.	T9082AAE 452151-B21

Additional Options

NOTE: Customer will receive a license entitlement certificate, which must be redeemed online or via fax in order to obtain the license activation key(s). Includes one year of 24 x 7 HP Software Technical Support Service.

NOTE: For additional license kits please see the Insight Control QuickSpecs at: http://h18004.www1.hp.com/products/quickspecs/12631_na/12631_na.html

HP Storage Controllers	SAS Controllers	
	Smart Array E200 Controller	
	HP Smart Array E200/128 BBWC Controller	411508-B21
	Smart Array E500 Controller	
	HP Smart Array E500/256 MB Controller	435129-B21
	NOTE: For external use only. The E500 only has external connectors.	
	NOTE: When ordering a Smart Array E500 Controller with BBWC the addition of the HP SA-P400 and SA-E500 24 In Battery Cable Kit (P/N 417836-B21) is required.	
	HP Smart Array P212 Controller	
	HP P212/256 Smart Array Controller	462834-B21
	HP P212/ZM Smart Array Controller	462828-B21
	Smart Array P400 Controller	
	HP Smart Array P400/256MB Controller	405132-B21
	HP Smart Array P400/512MB Controller with BBWC	411064-B21
	HP Smart Array P410 Controller	
	HP P410/256 Smart Array Controller	462862-B21
	HP P410/512 BBWC Smart Array Controller	462864-B21
	HP Smart Array P410/1G with FBWC	572532-B21
	HP Smart Array P410/512MB with FBWC	578230-B21
	Smart Array P411 Controller	
	HP Smart Array P411/1G Flash Backed Write Cache	572531-B21
	HP Smart Array P411/512MB Flash Backed Write Cache	578229-B21
	Smart Array P800 Controller	
	HP Smart Array P800/512 BBWC Controller	381513-B21
	Smart Array P812 Controller	
	HP Smart Array P812/1G Flash Backed Cache Controller	487204-B21
	Optional Upgrades	
	1G Flash Backed Write Cache	534562-B21
512MB Battery-backed write cache upgrade	405148-B21	
NOTE: For Smart Array P400 Controller and Smart Array P400i Controller only.		
512MB Flash Backed Write Cache	534916-B21	
HP Smart Array P411/512MB Flash Backed Write Cache	578229-B21	
Battery-backed write cache upgrade	383280-B21	
NOTE: For Smart Array P400 Controller and Smart Array P400i Controller only.		
NOTE: When ordering a Smart Array P400 Controller with BBWC the addition of the HP SA-P400 and SA-E500 24 In Battery Cable Kit (P/N 417836-B21) is required.		

Additional Options

HP SA-P400 and SA-E500 24 In Battery Cable Kit	417836-B21
NOTE: This option kit contains a 24" battery cable and adhesive material for installing a battery into the server if a Smart Array P400 or Smart Array E500 Controller is integrated outside of the factory. For all solutions, please refer to the server QuickSpecs and User's Manual for detailed installation instructions.	
512MB Battery-backed write cache	462967-B21
NOTE: Supported on HP Smart Array P410 Controller and HP Smart Array P411 Controller only.	
Battery Kit upgrade (for BBWC)	462969-B21
NOTE: To enable BBWC on the 256MB cache.	
NOTE: Supported on HP Smart Array P212 Controller, HP Smart Array P410 Controller, and HP Smart Array P411 Controller only.	
HP 256MB P-Series Cache Module	462968-B21
NOTE: Supported on HP Smart Array P212 Controller.	
SCSI HBA	
HP SC11Xe Host Bus Adapter	412911-B21
NOTE: Recommended HBA for SCSI tape drive connect.	
NOTE: Please see the QuickSpecs for Technical Specifications and additional information:	
http://h18000.www1.hp.com/products/quickspecs/12566_na/12566_na.html (SC11Xe HBA)	
http://h18004.www1.hp.com/products/quickspecs/12617_na/12617_na.html (SC44Ge HBA)	
http://h18000.www1.hp.com/products/quickspecs/12460_na/12460_na.html (Smart Array E200 Controller)	
NOTE: Please see the following Controller QuickSpecs for Technical Specifications and additional information:	
http://h18000.www1.hp.com/products/quickspecs/12700_na/12700_na.html (Smart Array E500 Controller)	
http://h18000.www1.hp.com/products/quickspecs/12400_na/12400_na.html (Smart Array P400 Controller)	
http://h18000.www1.hp.com/products/quickspecs/13201_na/13201_na.html (Smart Array P410 Controller)	
http://h18000.www1.hp.com/products/quickspecs/13203_na/13203_na.html (Smart Array P212 Controller)	
http://h18000.www1.hp.com/products/quickspecs/12616_na/12616_na.html (Smart Array P800 Controller)	
http://h18000.www1.hp.com/products/quickspecs/13558_na/13558_na.html (Smart Array P812 Controller)	

HP Power Supplies	750W 12V Hot Plug AC Power Supply	451366-B21
	High Efficiency 1200W 12V Hot Plug AC Power Supply	437572-B21

Additional Options

HP HPC Specific Options	HP IB 4X DDR PCI-e Dual Port 0 Memory HCA	483513-B21
	HP IB 4X DDR PCI-e Dual Port HCA	448397-B21
	HP 10 GbE PCI-e G2 Dual Port NIC	516937-B21

NOTE: For HPC interconnect adapters please see the HPC Interconnect section of this QuickSpecs.

HP Tape Backup

NOTE: For the complete listing of Tape Drive offerings, please see: <http://www.hp.com/products1/storage/compatibility/tapebackup/ISS/index.html>

Tape Drives

USB Rack-Mount Tape Solutions

DAT 320 USB External Tape Drive AJ823A

HP StorageWorks 1U USB Rack-Mount Kit with one DAT 160 USB Tape Drive AG703A

NOTE: Pre-configured with one DAT 160 USB tape drive.

NOTE: HP recommends purchasing the HP SC44Ge HBA (416096-B21) for a dedicated SAS HBA for tape.

SAS Rack-Mount Tape Solutions

HP StorageWorks 1U SAS Rack-Mount Kit with one LTO-4 Ultrium 1760 Tape Drive EH946A

NOTE: Pre-configured with one LTO-4 Ultrium 1760 SAS tape drive.

HP StorageWorks 1U SAS Rack-Mount Kit AE459A

NOTE: Supports up to (2) half-height SAS tape drives.

HP StorageWorks DAT 160 SAS Internal Tape Drive Q1587A

NOTE: Mounts inside the 1U SAS Rack-Mount Kit (AE459A).

HP StorageWorks LTO-2 Ultrium 448 SAS Internal Tape Drive DW085A

NOTE: Mounts inside the 1U SAS Rack-Mount Kit (AE459A).

HP StorageWorks LTO-3 Ultrium 920 SAS Internal Tape Drive EH847A

NOTE: Mounts inside the 1U SAS Rack-Mount Kit (AE459A).

DAT 320 WW SAS External Tape Drive AJ828A

SCSI Rack-Mount Tape Solutions

NOTE: SCSI Controller required. HP recommends purchasing the HP SC11Xe HBA (412911-B21) for a dedicated SCSI HBA for tape.

HP StorageWorks 1U SCSI Rack-mount kit with one LTO-2 Ultrium 448 SCSI Tape Drive (Carbonite) DW028B

NOTE: Pre-configured with one LTO-2 Ultrium 448 SCSI tape drive.

HP StorageWorks 1U SCSI Rack-mount kit with one LTO-3 Ultrium 920 EH903A

NOTE: Pre-configured with one LTO-3 Ultrium 920 SCSI tape drive.

HP StorageWorks 3U SCSI Rack-Mount with 1 LTO-4 Ultrium 1840 Tape Drive EH926A

NOTE: Pre-configured with one LTO-4 Ultrium 1840 SCSI tape drive.

For an up-to-date listing of the latest O/S and software support details for HP Ultrium tape drives, please visit: <http://www.hp.com/go/connect>.

NOTE: For the complete listing of Tape Drive offerings, please see: <http://www.hp.com/products1/storage/compatibility/tapebackup/ISS/index.html>

Tape Autoloaders

HP StorageWorks DAT Autoloader

HP StorageWorks DAT 72x10 tape autoloader AE313B

Additional Options

HP StorageWorks 1/8 G2 Tape Autoloader

HP StorageWorks 1/8 G2 LTO-4 Ultrium 1760 SAS Tape Autoloader AK377A

HP StorageWorks 1/8 G2 LTO-3 Ultrium 920 SAS Autoloader AH558A

HP StorageWorks 1/8 G2 LTO-2 Ultrium 448 Tape Autoloader AH164A

HP StorageWorks 1/8 G2 Tape Autoloader Rack Kit AH166A

NOTE: Required to install the 1/8 G2 Autoloaders in a standard 19-inch rack; includes rails and rackmount instructions.

NOTE: Please see the QuickSpecs for Technical Specifications:

<http://www.hp.com/go/automation> and for additional information needed to create a complete solution; reference current compatibility information at:

<http://www.hp.com/go/ebs>.

Tape Libraries

HP StorageWorks MSL2024 Tape Library

HP StorageWorks MSL2024 1 LTO-4 Ultrium 1840 SCSI Drive Library AJ033A

HP StorageWorks MSL2024 1 LTO-4 Ultrium 1760 SAS Drive Library AK378A

HP StorageWorks MSL2024 1 LTO-3 Ultrium 960 SCSI Drive Library AG115A

HP StorageWorks MSL2024 1 LTO-3 Ultrium 920 SAS Drive Library AH559A

HP StorageWorks MSL2024 1 LTO-2 Ultrium 448 SCSI Drive Library AG116A

HP StorageWorks MSL4048 Tape Library

HP StorageWorks MSL4048 1 LTO-4 Ultrium 1840 SCSI Drive Library AJ035A

HP StorageWorks MSL4048 2 LTO-4 Ultrium 1760 SAS Drive Library AK380A

HP StorageWorks MSL4048 1 Ultrium 960 SCSI Drive Library AG322A

HP StorageWorks MSL4048 1 Ultrium 920 SAS Drive Library AH560A

NOTE: Please reference the QuickSpecs for Technical Specifications:

<http://www.hp.com/go/automation> and additional information needed to create a complete solution; reference current compatibility information at:

<http://www.hp.com/go/ebs>.

HP Disk Backup

RDX Removable Disk Backup

HP StorageWorks RDX160 External Removable Disk Backup System AJ766A

NOTE: 160GB of Disk Storage.

HP StorageWorks RDX320 External Removable Disk Backup System AJ768A

NOTE: 320GB of Disk Storage.

HP StorageWorks RDX500 External Removable Disk Backup System AJ935A

NOTE: 500GB of Disk Storage.

NOTE: Please see the QuickSpecs for Technical Specifications and additional information:

http://h18000.www1.hp.com/products/quickspecs/13036_na/13036_na.html

D2D Backup

HP StorageWorks D2D2504i Backup System EJ002A

HP StorageWorks D2D120 Backup System with Data Protector Express Software Kit EH924A

NOTE: 2TB of Disk Storage.

HP StorageWorks D2D130 Backup System with LTO-3 Ultrium 920 SAS Tape Drive EH952A

NOTE: 3TB of Disk Storage.

Additional Options

HP StorageWorks D2D2503i Backup System NOTE: 3TB of Disk Storage.	EH945A
HP StorageWorks D2D4004i Backup System NOTE: 4.5TB of Disk Storage. NOTE: Please see the QuickSpecs for Technical Specifications and additional information: http://www.hp.com/go/d2d	EH938A

HP StorageWorks Options

HP StorageWorks Fibre Channel HBAs

NOTE: The following is a list of all Fibre Channel Host Bus Adapters for Windows and Linux. For detailed compatibility information please see:

<http://h18006.www1.hp.com/storage/saninfrastructure/hba.html>.

Brocade Fibre Channel HBAs

HP 81B PCIe 8Gb FC Single Port HBA	AP769A
HP 82B PCIe 8Gb FC Dual Port HBA	AP770A
HP 41B PCIe 4Gb FC Single Port HBA	AP767A
HP 42B PCIe 4Gb FC Dual Port HBA	AP768A

Emulex Fibre Channel HBAs

HP StorageWorks 81E 8Gb SP PCI-e FC HBA	AJ762A
HP 82E 8Gb Dual-port PCI-e FC HBA	AJ763A
HP StorageWorks FC2142SR 4Gb PCI-e HBA	A8002A

QLogic Fibre Channel HBAs

HP StorageWorks 81Q PCI-e FC HBA	AK344A
HP 82Q 8Gb Dual Port PCI-e FC HBA	AJ764A
HP StorageWorks FC1142SR 4Gb PCI-e HBA	AE311A
HP StorageWorks FC1242SR Dual Channel 4 Gb PCI-e HBA	AE312A

StorageWorks SCSI HBA

HP U320e SCSI Host Bus Adapter NOTE: Recommended HBA for MSL SCSI Tape Library connect.	AH627A
---------------------------------------------------------------------------------------------------	--------

StorageWorks Converged Network Adapter

HP CN1000E 2P Converged Network Adapter	AW520A
-----------------------------------------	--------

Additional Options

HP Modular Smart Array	HP MSA SAN Storage Arrays HP StorageWorks 20 Modular Smart Array NOTE: Rack-mountable 12 (SATA) drive enclosure with U320 Host connectivity, redundant power supplies. NOTE: The Modular Smart Array Enclosure 20 Family supports the SATA 1.5Gb/s 1" Hot Plug Hard Drives. NOTE: Please see the QuickSpecs for Technical Specifications and additional information: http://h18000.www1.hp.com/products/quickspecs/11942_na/11942_na.html	335921-B21
	HP StorageWorks 50 Modular Smart Array Enclosure NOTE: Rack-mountable 10 SFF drive enclosure with single I/O module, redundant hot plug power supplies and hot plug fans. NOTE: Please see the QuickSpecs for Technical Specifications and additional information: http://h18000.www1.hp.com/products/quickspecs/12245_na/12245_na.html	364430-B21
	HP StorageWorks 60 Modular Smart Array NOTE: Rack-mountable 12-drive (3.5" 3G SAS/1.5G SATA) 2U enclosure with 3Gb/s SAS host connectivity and redundant power supplies. NOTE: Please see the QuickSpecs for Technical Specifications and additional information: http://h18000.www1.hp.com/products/quickspecs/12627_na/12627_na.html	418408-B21
	HP StorageWorks 70 Modular Smart Array NOTE: Rack-mountable 25-drive (2.5" 3G SAS/1.5G SATA) 2U enclosure with 3Gb/s SAS host connectivity and redundant power supplies. NOTE: Please see the QuickSpecs for Technical Specifications and additional information: http://h18000.www1.hp.com/products/quickspecs/12652_na/12652_na.html	418800-B21

HP Uninterruptible Power Systems	HP Rack-mountable UPS HP R1500 G2 UPS HP, R1.5kVA UPS, 1U NOTE: Please see QuickSpecs for Technical Specifications and additional information: http://h18000.www1.hp.com/products/quickspecs/12507_na/12507_na.html	AF419A
	HP R3000 XR UPS Uninterruptible Power System HP R3000 VA UPS, 2U, L6-20 NOTE: Please see QuickSpecs Technical Specifications and additional information: http://h18000.www1.hp.com/products/quickspecs/13130_na/13130_na.html NOTE: For additional information on sizing your server, please reference: http://www.upsizer.com NOTE: For additional information on HP Uninterruptible Power Systems please go to: www.hp.com/servers/rackups .	AF423A

Additional Options

HP Rack Series	HP Rack 10000 G2 Series (Carbon/Graphite Metallic)	
	10642 G2 (42U) Rack Cabinet 1200mm Deep - Shock Pallet	AF034A
	10642 G2 (42U) Rack Cabinet 1200mm Deep - Pallet	AF038A
	10647 G2 (47U) Rack Cabinet 1200mm Deep - Shock Pallet	AF044A
	10647 G2 (47U) Rack Cabinet 1200mm Deep - Pallet	AF045A

NOTE: Cat5e cables are required to connect Interface Adapters to Console Switches. Cat5e cables can be found at the following URL: <http://www.hp.com/go/kvm>.

NOTE: It is mandatory to use a shock pallet when shipping racks with equipment installed.

NOTE: Please see the QuickSpecs for Technical Specifications and additional information:

http://h18000.www1.hp.com/products/quickspecs/12402_na/12402_na.html

NOTE: For additional information regarding Rack Cabinets, please see the following URL: <http://www.hp.com/go/rackandpower>.

HP Rack Options	Keyboards and Monitors	
	TAA TFT7600 Rackmount Keyboard and Monitor	AG067A
	HP KVM Switch Options	
	2x1x16 IP Console Switch with Virtual Media	AF601A
	4x1x16 IP Console Switch with Virtual Media	AF602A
	2x16 Server Console Switch with Virtual Media	AF600A
	PS/2 Virtual Media Interface Adapter, 1 pack	AF604A
	NOTE: Requires PS/2 and one USB port on server.	
	HP Server Console Switch (KVM), 0 x 2 x 8 port	AF616A
	HP Server Console Switch (KVM), 0 x 2 x 16 port	AF617A
	PS/2 Interface Adapter, 1 pack	262588-B21
	PS/2 Interface Adapter, 8 pack	262587-B21
	HP 1x4 Console Switch	AF611A
	HP PS2 Server Console Cable, 6 foot, 2-Pack	AF612A
	HP USB Server Console Cable, 6 foot, 2-Pack	AF613A
	NOTE: Required for supporting USB peripherals.	
	NOTE: Cat5e cables are required to connect Interface Adapters to Console Switches. Cat5e cables can be found at the following URL: http://www.hp.com/go/kvm .	
	HP Serial Console Server Options	
	Server console switch 0x2x8	AF616A
	Server console switch 0x2x16	AF617A
	0x2x16 KVM Server Console G2 Switch with Virtual Media and CAC	AF618A
	0x2x32 KVM Server Console G2 Switch with Virtual Media and CAC	AF619A
	1x1Ex8 KVM IP Console Switch G2 with Virtual Media and CAC	AF620A
	2x1Ex16 KVM IP Console Switch G2 with Virtual Media and CAC	AF621A
	4x1Ex32 KVM IP Console Switch G2 with Virtual Media and CAC	AF622A
	HP 16 Port Serial Console Server	AF101A

Additional Options

HP 48 Port Serial Console Server	AF102A
Serial Adapter, RJ45-D89 DCE Female, 1-pack	AF103A
Serial Adapter, RJ45-D89 DCE Female, 8-pack	AF110A

NOTE: For additional information regarding KVM switches, Serial Console servers, rack mount monitors, keyboards and all related options please see the following URL:
<http://www.hp.com/go/kvm>.

Rack Kits

HP Rack Cable Management Velcro Clips	379820-B21
---------------------------------------	------------

HP USB and SD Options	USB 1.44-MB External Diskette Drive	DC141B
	HP USB 2-Button Optical Scroll Mouse (Carbonite/Silver)	DC172B
	HP Keyboard (USB) standard 2004	DT528A#ABA
	HP USB Internal Cable Kit	451363-B21

HP Care Pack Services

Hardware Services 4-Hour On-site Service

NOTE: To attach 3 year, 4-Hour On-site Service to Smart Buy servers, Smart Buy Care Packs must be used. For other service levels, order standard Care Pack part numbers.

13-Hour x 5-Day Coverage, 3 Years, Electronic	UH271E
24-Hour x 7-Day Coverage, 3 Years, Electronic	UH272E

NOTE: Use one of the following Smart Buy Care Packs to attach 3 year, 4-Hour On-site Service to Smart Buy servers. For other service levels, order standard Care Pack part numbers.

DL18x Smart Buy 4-Hour On-site Service, 5-Day x 13-Hour Coverage, 3 Years, Electronic	UK161E
DL18x Smart Buy 4-Hour On-site Service, 7-Day x 24-Hour Coverage, 3 Years, Electronic	UK162E

Hardware Services Next Business Day On-Site Service

9-Hour x 5-Day Coverage, 3 Years, Electronic	UH270E
----------------------------------------------	--------

Hardware Services 6-Hour Call to Repair On-Site Service

6-Hour Call to Repair, On-site Service, 7-Day x 24-Hour Coverage, 3 Years, Electronic	UH273E
Hardware Installation, Electronic	UH301E

NOTE: For more information, customer/resellers can contact:
<http://www.hp.com/services/carepack>.

Memory

NOTE: Memory configurations listed do not apply to "Factory Integrated Models".

HP ProLiant DL185 G5 (all models)

Standard Memory

1 GB (2 x 512 MB) PC2-5300 DIMM memory, with Advanced ECC Capabilities memory installed. (8 Hard Drive Model) (2200 sequence)

2 GB (2 x 1 GB) PC2-5300 DIMM memory, with Advanced ECC Capabilities memory installed. (8 Hard Drive Model, 2300 sequence)

2 GB (2 x 1 GB) PC2-6400 DIMM memory, with Advanced ECC Capabilities memory installed. (8 Hard Drive Model, 2300 sequence)

4 GB (2 x 2 GB) PC2-5300 DIMM memory, with Advanced ECC Capabilities memory installed. (12 Hard Drive Model)

4 GB (2 x 2 GB) PC2-6400 DIMM memory, with Advanced ECC Capabilities memory installed. (8 Hard Drive Model, 12 Hard Drive Model)

Maximum Memory

Up to 64 GB memory is available with the optional installation of PC2-5300 Registered DIMM memory kits.

Up to 32 GB memory is available with the optional installation of PC2-6400 Registered DIMM memory kits.

Memory should be installed in pairs and matched for optimum performance.

NOTE: Chart does not represent all possible memory configurations.

NOTE: DIMM banks are active only when the corresponding processor socket is populated.

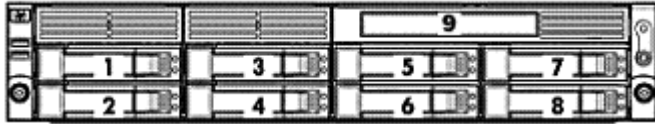
Memory	Slot							
	1	2	3	4	5	6	7	8
Standard (1 GB)	512 MB	512 MB	Empty	Empty	Empty	Empty	Empty	Empty
Standard (2 GB)	1 GB	1 GB	Empty	Empty	Empty	Empty	Empty	Empty
Standard (4 GB)	2 GB	2 GB	Empty	Empty	Empty	Empty	Empty	Empty
Standard (8 GB)	2 GB	2 GB	2 GB	2 GB	Empty	Empty	Empty	Empty
Maximum (64 GB)	8 GB	8 GB	8 GB	8 GB	8 GB	8 GB	8 GB	8 GB

HP Memory

Following are memory options available from HP:

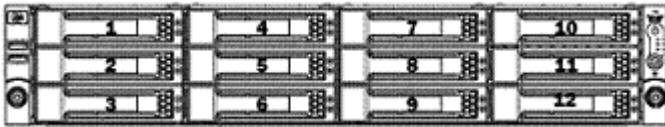
1 GB REG PC2-5300 2 x 512 MB Single Rank Kit	408850-B21
2 GB REG PC2-6400 2 x 1 GB Kit	497763-B21
2 GB REG PC2-5300 2 x 1 GB Low Power Single Rank Kit	483399-B21
2 GB REG PC2-5300 2 x 1 GB Single Rank Kit	408851-B21
4 GB REG PC2-6400 2 x 2 GB Kit	497765-B21
4 GB REG PC2-5300 2 x 2 GB Low Power Single Rank Kit	483401-B21
4 GB REG PC2-5300 2 x 2 GB Dual Rank Kit	408853-B21
8 GB REG PC2-6400 2 x 4 GB Low Power Kit	504351-B21
8 GB REG PC2-5300 2 x 4 GB Low Power Dual Rank Kit	483403-B21
8 GB REG PC2-6400 2 x 4 GB Kit	497767-B21
8 GB REG PC2-5300 2 x 4 GB Dual Rank Kit	408854-B21
16 GB REG PC2-5300 2 x 8 GB Kit	408855-B21
64 GB REG PC2-5300 8 x 8 GB Kit	495605-B21

Storage



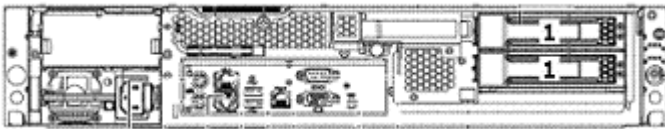
1-8 Eight (8) 3.5" Hot Plug SAS/SATA Drive Bays

9 DVD-ROM, DVD RW



1-12 Twelve 3.5" Hot Plug SAS/SATA Drive Bays

NOTE: As shown here, the rear hard drive cage replaces the two full-length PCIe slots.



1 Two 3.5" Hot Plug SAS/SATA Drive Bays, (Optional)

Drive Support

Removable Media

	Quantity Supported	Position Supported	Controller
DVD-ROM	Up to 1	9	Integrated IDE (ATAPI) (optional) - 8 HDD or 12 HDD w/ optional rear DVD FIO kit
DVD/CD RW	Up to 1	9	Integrated IDE (ATAPI) (optional) - 8 HDD or 12 HDD w/ optional rear DVD FIO kit

Hard Drives

NOTE: The components of a storage subsystem (e.g. the drive, the HBA/controller, firmware, and the server backplane) should operate at the same data transfer rate or the system bandwidth will be negotiated down to an acceptable level for all components.

SATA Hot Plug LFF (3.5-inch) Midline (MDL) Drives

	Quantity Supported	Position Supported	Controller
2TB 3G SATA 7.2K	Up to 8	1-8	HP Smart Array E200/128 BBWC Controller
1TB 3G SATA 7.2K			HP Smart Array P400/256 MB Controller
750GB 3G SATA 7.2K			HP Smart Array P410 Controller
500GB 3G SATA 7.2K			HP Smart Array P212 Controller
250GB 3G SATA 7.2K			HP Smart Array E500/256 MB Controller
			HP Smart Array P800/512 BBWC Controller
			HP SC11Xe Host Bus Adapter

SATA Hot Plug 3.5" Midline (MDL) Solid State Drives

	Quantity Supported	Position Supported	Controller
--	--------------------	--------------------	------------

Storage

60GB 3G SATA	Up to 8	1-8	HP Smart Array P410 Controller
120GB 3G SATA 250GB			HP Smart Array P212 Controller
3G SATA 7.2K			HP SC11Xe Host Bus Adapter

SATA Hot Plug LFF (3.5-inch) Entry (ETY) Drives

	Quantity Supported	Position Supported	Controller
250GB 3G SATA 7.2K	Up to 8	1-8	HP Smart Array E200/128 BBWC Controller
160GB 3G SATA 7.2K			HP Smart Array P400/256 MB Controller
			HP Smart Array P410 Controller
			HP Smart Array P212 Controller
			HP Smart Array E500/256 MB Controller
			HP Smart Array P800/512 BBWC Controller
			HP SC11Xe Host Bus Adapter

SATA Hot Plug LFF (3.5-inch) Drives

	Quantity Supported	Position Supported	Controller
750GB 1.5G SATA 7.2K	Up to 8	1- 8	HP Smart Array E200/128 BBWC Controller
500GB 1.5G SATA 7.2K			HP Smart Array P400/256 MB Controller
250GB 1.5G SATA 7.2K			HP Smart Array P410 Controller
160GB 1.5G SATA 7.2K			HP Smart Array P212 Controller
			HP Smart Array E500/256 MB Controller
			HP Smart Array P800/512 BBWC Controller
			HP SC44Ge Host Bus Adapter
			NOTE: When using the SC44Ge with SATA Hard Drives, 1.5G SATA Hard Drives are required.
			HP SC11Xe Host Bus Adapter

SAS Hot Plug LFF (3.5-inch) Enterprise (ENT) Drives

	Quantity Supported	Position Supported	Controller
600GB 6G SAS 15K	Up to 8	1- 8	HP Smart Array E200/128 BBWC Controller
450GB 6G SAS 15K	Up to 12	1-12	HP Smart Array P400/256MB Controller
450GB 3G SAS 15K			HP Smart Array P410 Controller
300GB 6G SAS 15K			HP Smart Array P212 Controller
300GB 3G SAS 15K			HP Smart Array E500/256MB Controller
146GB 3G SAS 15K			HP Smart Array P800/512 BBWC Controller
			HP SC44Ge Host Bus Adapter
			HP SC11Xe Host Bus Adapter

Storage

External Storage

	Quantity Supported	Position Supported	Controller
20 Modular Smart Array Family	Up to 2 per SA-6402 Up to 4 per SA-6404	External	Smart Array 6402/128 Controller Smart Array 6404/256 Controller Smart Array 642 Controller
50 Modular Smart Array	Up to 2	External	Smart Array 6402/128 Controller Smart Array 6404/256 Controller Smart Array 642 Controller
60 HP StorageWorks Modular Smart Array	Up to 8	External	HP Smart Array P800/512 BBWC Controller
70 HP StorageWorks Modular Smart Array	Up to 8	External	HP Smart Array P800/512 BBWC Controller

Tape and Disk-Based Backup

NOTE: For complete listing of tape drive offerings see: www.hp.com/go/connect

	Position Supported	Controller	Controller Part Number
HP StorageWorks SCSI Tape Drives, External LTO-1 Ultrium 232 LTO-2 Ultrium 448 LTO-3 Ultrium 920 LTO-3 Ultrium 960 LTO-4 Ultrium 1760 LTO-4 Ultrium 1840 DAT 40 DAT 72 DAT 160 1U Rack-Mount Kit 3U Rack-Mount Kit	External	HP SC11Xe Host Bus Adapter	412911-B21
HP StorageWorks USB Tape Drives, External DAT 40 USB DAT 72 USB DAT 160 USB 1U USB Rack-Mount Kit	External	USB 2.0 Port	N/A
HP StorageWorks SAS Tape Drives, External DAT 160 SAS LTO-2 Ultrium 448 SAS LTO-3 Ultrium 920 SAS LTO-4 Ultrium 1760 SAS LTO-4 Ultrium 1840 SAS	External	HP SC44Ge Host Bus Adapter	416096-B21



Storage

1U Rack-Mount Kit
3U Rack-Mount Kit

<p>HP StorageWorks SCSI Tape Automation, External DAT 72x10 Autoloader 1/8 G2 Tape Autoloader MSL2024 MSL4048</p>	<p>External</p>	<p>HP SC11Xe Host Bus Adapter</p>	<p>412911-B21</p>
		<p>HP U320e SCSI Host Bus Adapter NOTE: Recommended for MSL tape libraries.</p>	<p>AH627A</p>
<p>HP StorageWorks SAS Tape Automation, External 1/8 G2 Autoloader MSL2024 MSL4048</p>	<p>External</p>	<p>HP SC44Ge Host Bus Adapter</p>	<p>416096-B21</p>
<p>HP StorageWorks Fibre Tape Automation, External MSL2024 MSL4048</p>	<p>External</p>	<p>Please consult the EBS connectivity matrix at: http://www.hp.com/go/ebs for detailed connectivity information.</p>	<p>N/A</p>
<p>HP StorageWorks RDX Removable Disk Backup System RDX160 RDX320 RDX500</p>	<p>External</p>	<p>USB 2.0 Port</p>	<p>N/A</p>
<p>HP StorageWorks D2D Backup Systems D2D120 D2D130 D2D2503i D2D2504i D2D4004i</p>	<p>External</p>	<p>Embedded Network Controller</p>	<p>N/A</p>

Power Specifications

750W Power Supply Spare Kit 451366-291, -AA1, -B21
 Operational Input Voltage Range (Vrms) 90Vac to 264Vac full range
 Frequency Range (Nominal) (Hz) 47 Hz to 63 Hz

Nominal Input Voltage (Vrms)	100	115	200	220	230	240
Max Rated Output Wattage Rating	750	750	750	750	750	750
Nominal Input Current (Arms)	9.1	7.9	4.3	4.0	3.8	3.7
Max Rated Input Wattage Rating (Watts)	893	888	872	862	862	862
Max. Rated VA (Volt-Amp)	911	906	890	880	880	880
Efficiency (%)	84	84.5	86	87	87	87
Power Factor	0.98	0.98	0.98	0.98	0.98	0.98
Leakage Current (mA)	<0.43	<0.50	<.0.90	<0.96	<1.00	<1.04
Maximum Inrush Current (A peak)	30A	30A	30A	30A	30A	30A
Maximum Inrush Current Duration (mS)	5mS	5mS	5mS	5mS	5mS	5mS

Technical Specifications

System Unit	Dimensions (H x W x D) (with bezel)	3.44 x 17.64 x 27.50 in (8.75 x 44.80 x 69.88 cm)	
	Weight (approximate)	Maximum	51.5 lb (19.22 kg) (all hard drives, power supplies and processors installed)
		Minimum	35.0 lb (13.06 kg) (one hard drive, power supply and processor installed)
Input Requirements (per power supply)	Rated Line Voltage	100 - 240 VAC	
		Rated Input Current	9.10 A (at 100 VAC), 4.5 A (at 200 VAC)
			Rated Input Frequency
		Rated Input Power	910 W (at 100 VAC), 900 W (at 200 VAC)
BTU Rating	Maximum	3107.82 BTU/hr (at 100 VAC), 3073.67 BTU/hr (at 200 VAC)	
Power Specifications	To review typical system power ratings use the Power Advisor which is available via the online tool located at URL: www.hp.com/go/proliant-energy-efficient <ul style="list-style-type: none"> • Click on the system of interest. Example: DL185 G5 • Follow the instructions of the next screens. 		
Power Supply Output (per power supply)	Rated Steady-State Power	750 W (at 100 VAC), 750 W (at 200 VAC)	
	Maximum Peak Power	750 W (at 100 VAC), 750W (at 200 VAC)	
System Inlet Temperature	Operating	50° to 95°F (10° to 35°C) at sea level with an altitude derating of 1.8°F per every 1000 ft (1.0°C per every 305 m) above sea level to a maximum of 10,000 ft (3050 m), no direct sustained sunlight. Maximum rate of change is 18°F/hr (10°C/hr). The upper limit may be limited by the type and number of options installed. System performance may be reduced if operating with a fan fault or above 86°F (30°C).	
	Non-operating	-22° to 140° F (-30° to 60° C). Maximum rate of change is 36° F/hr (20° C/hr).	
Relative Humidity (non-condensing)	Operating	10 to 90% relative humidity (Rh), 82.4° F (28° C) maximum wet bulb temperature, non-condensing.	
	Non-operating	5 to 95% relative humidity (Rh), 101.7° F (38.7° C) maximum wet bulb temperature, non-condensing.	
Altitude	Operating	10,000 ft (3050 m). This value may be limited by	

Technical Specifications

		the type and number of options installed. Maximum allowable altitude change rate is 1500 ft/min (457 m/min).
	Non-operating	30,000 ft (9144 m). Maximum allowable altitude change rate is 1500 ft/min (457 m/min).
Acoustic Noise		Listed are the declared A-Weighted sound power levels (LWAd) and declared average bystander position A-Weighted sound pressure levels (LpAm) when the product is operating in a 23°C ambient environment. Noise emissions were measured in accordance with ISO 7779 (ECMA 74) and declared in accordance with ISO 9296 (ECMA 109).
	Idle	
	<i>LWAd</i>	6.7 B
	<i>LpAm</i>	51 dBA
	Operating	
	<i>LWAd</i>	6.7 B
	<i>LpAm</i>	51 dBA
Emissions Classification (EMC)	FCC Rating	Class A
	Normative Standards	CISPR 22; EN55022; EN55024; FCC CFR 47, Pt 15; ICES-003; CNS13438; GB9254; K22;K24; EN 61000-3-2; EN 61000-3-3; EN 60950-1; IEC 60950-1

NOTE: Product conformance to cited product specifications is based on sample (type) testing, evaluation, or assessment. This product or family of products is eligible to bear the appropriate compliance logos and statements.

Smart Array E200 Controller	Disk Drive and Enclosure Interface	3 G SAS (Serial Attached SCSI) 1.5 G SATA (Serial Advanced Technology Attachment)
	SAS Connectors	2 internal (SFF8484) x4 wide port connectors
	Cache Memory Speed	DDR1-266 MHz provides up to 4.2 GB/s maximum bandwidth.
	Server Interface	x8 2.5 G PCIe provides 2 GB/s maximum bandwidth.
	SAS Speed	x8 3 G SAS provides 2.4 GB/s maximum bandwidth.
	Cache Memory	40-bit 64MB cache or a 128MB battery backed cache: ECC protection, battery-backed, and transportable
	Logical Volumes Supported	Up to 32 logical volumes
	Maximum Volume Capacity	3TB (6 x 500 GB)
	Host Memory Addressing	64-bit, supporting greater than 4GB server memory space
	RAID Support	RAID 5 (Distributed Data Guarding) RAID 1+0 (Striping & Mirroring) RAID 0 (Striping)

Technical Specifications

Smart Array P400 Controller	Disk Drive and Enclosure Interface	3 G SAS (Serial Attached SCSI) 1.5 G SATA (Serial Advanced Technology Attachment)
	SAS Connectors	2 internal (SFF8484) x4 wide port connectors
	Cache Memory Speed	DDR2-533MHz with 40 or 72-bit wide bus provides up to 4.2 GB/s maximum bandwidth.
	Server Interface	x8 2.5 G PCIe provides 2 GB/s maximum bandwidth.
	SAS Speed	x8 3 G SAS provides 2.4 GB/s maximum bandwidth.
	Cache Memory	40-bit 256 MB cache (72-bit 512MB module upgrades available); ECC protection, battery-backed, and transportable
	Logical Drives Supported	Up to 32 logical drives
	Maximum Logical Drive Capacity	3TB (6 x 500 GB)
	Host Memory Addressing	64-bit, supporting greater than 4GB server memory space
	RAID Support	RAID 6 with ADG (Advanced Data Guarding) requires Battery Backed Write Cache Upgrade RAID 5 (Distributed Data Guarding) RAID 1+0 (Striping & Mirroring) RAID 0 (Striping)

Embedded NC7782 Dual Port PCI-X 10/100/1000T Gigabit network adapter	Network Interface Compatibility	10Base-T/100Base-TX/1000Base-TX IEEE 802.3 10Base-T IEEE 802.3ab 1000Base-T IEEE 802.3u 100Base-TX		
	Data Transfer Method	64-bit, 133MHz PCI(X)1.0		
	Controller	BCM5704c		
	Network Transfer Rate	10Base-T (Half-Duplex)	10 Mb/s	
		10Base-T (Full-Duplex)	20 Mb/s	
		100Base-TX (Half-Duplex)	100 Mb/s	
		100Base-TX (Full-Duplex)	200 Mb/s	
		1000Base-TX (Half and Full-Duplex)	2000 Mb/s	
	Connector	RJ-45		
	Cable Support	10Base-T	Categories 3, 4 or 5 UTP; up to 328 ft (100 m)	
10/100/1000Base-TX		Category 5 UTP (2 Pair); up to 328 ft (100 m)		

Technical Specifications

Environment-friendly Products and Approach

End-of-life Management and Recycling

Hewlett-Packard offers end-of-life HP product return, trade-in, and recycling programs in many geographic areas. For trade-in information, please go to: <http://www.hp.com/go/green>. To recycle your product, please go to: <http://www.hp.com/go/green> or contact your nearest HP sales office. Products returned to HP will be recycled, recovered or disposed of in a responsible manner.

The EU WEEE directive (2002/95/EC) requires manufacturers to provide treatment information for each product type for use by treatment facilities. This information (product disassembly instructions) is posted on the Hewlett Packard web site at: <http://www.hp.com/go/green>. These instructions may be used by recyclers and other WEEE treatment facilities as well as HP OEM customers who integrate and re-sell HP equipment.

© Copyright 2010 Hewlett-Packard Development Company, L.P.

The information contained herein is subject to change without notice.

Microsoft and Windows NT are US registered trademarks of Microsoft Corporation. AMD, the AMD Arrow logo, AMD Opteron™, and combinations thereof, are trademarks of Advanced Micro Devices, Inc.

The only warranties for HP products and services are set forth in the express warranty statements accompanying such products and services. Nothing herein should be construed as constituting an additional warranty. HP shall not be liable for technical or editorial errors or omissions contained herein.

For hard drives, 1GB = 1 billion bytes. Actual formatted capacity is less.