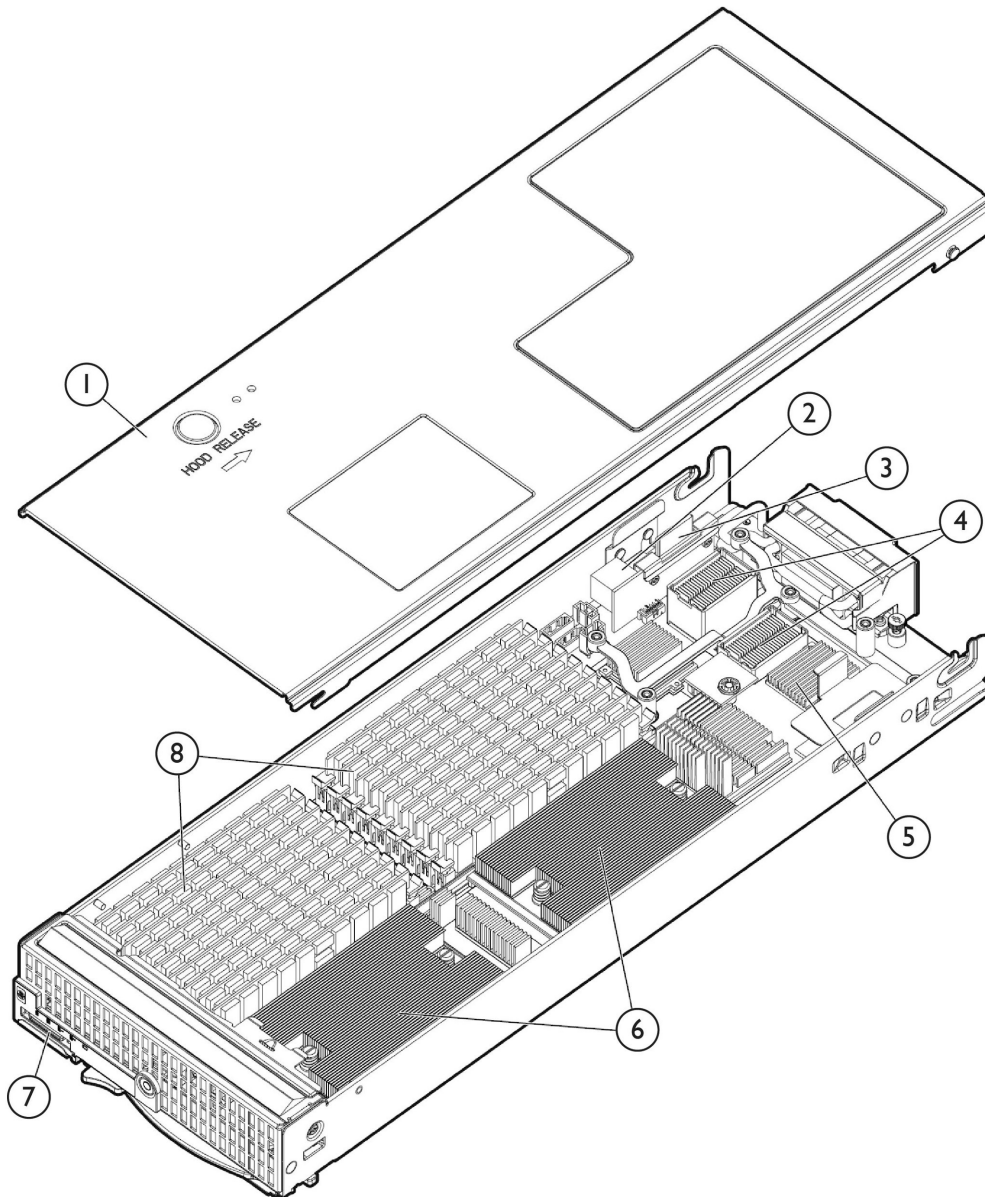


### Overview



### HP ProLiant BL490c G7 Server Blade

1. Access Panel
2. Internal USB connector
3. Internal SD card slot
4. Two (2) mezzanine I/O expansion slots
5. Embedded Dual Port FlexFabric 10GbE Converged Network Adapter
6. Up to two (2) Intel® Xeon® 5600 or 5500 series processors  
**NOTE:** SSD Drives placed on baffle above processors; See storage illustration for more details.
7. Local I/O connector
8. Eighteen (18) DDR3 DIMM Memory Slots



### Overview

### What's New

- Support for HP Smart Array P712m/ZM 2-ports Int PCIe x8 SAS Controller
- Support for HP Smart Array P711m/1G 6Gb FBWC 4-ports Ext Mezzanine SAS Controller

### At A Glance

The HP ProLiant BL490c G7 Virtualization Blade raises the bar for memory capacity and I/O bandwidth in a half-height blade. Coupling up to 2 Intel® Xeon® processors with 18 DIMM slots and support for up to 24 NICs, the BL490c G7 gives enterprise data center managers the ideal server platform for hosting virtual machines.

This document covers the HP ProLiant BL490c G7 server blade only. For more information on HP BladeSystems c-Class Enclosure and HP BladeSystem c-Class Interconnect and Mezzanine Components, please see the following:

HP BladeSystem c-Class Enclosures QuickSpecs:

HP BladeSystem c3000 Enclosure QuickSpecs:

[http://h18000.www1.hp.com/products/quickspecs/12790\\_div/12790\\_div.html](http://h18000.www1.hp.com/products/quickspecs/12790_div/12790_div.html)

HP BladeSystem c7000 Enclosure QuickSpecs:

[http://h18000.www1.hp.com/products/quickspecs/12810\\_div/12810\\_div.html](http://h18000.www1.hp.com/products/quickspecs/12810_div/12810_div.html)

HP BladeSystem c-Class Interconnect and Mezzanine Components:

<http://h18004.www1.hp.com/products/blades/components/c-class-interconnects.html>

<http://h18004.www1.hp.com/products/blades/components/c-class-adapters.html>

The HP ProLiant BL490c G7 is a 2-processor server blade optimized for virtualization with high memory capacity and high bandwidth and flexible networking.

HP ProLiant BL490c G7 server blade includes:

- **Processor:**
  - Up to two (2) Intel® Xeon® 5600 Series processors
  - Intel® 5520 Chipset
- **Memory:**
  - Eighteen (18) DIMM slots
  - Up to 384GB, using PC3-10600R DDR3 Registered (RDIMM) memory, operating at 800MHz when fully populated at 2 DIMMs per Channel in 12 of the 18 slots
  - Up to 48GB, using PC3-10600E DDR3 Unbuffered (UDIMM) memory, operating at 1066MHz when fully populated at 2 DIMMs per Channel in 12 of the 18 slots
- **Storage Controller:**
  - HP Embedded SATA RAID Controller  
**NOTE:** This is a chipset SATA RAID controller. It supports RAID 0 and 1 only and no Battery Backed Write Cache. User needs to enable the RAID option through HP RBSU (ROM Base Setup Utility) first before the RAID can be activated. Users also need to download the OS driver from: <http://www.hp.com/support/BL490cG7> for OS Array Monitoring.  
**NOTE:** HW RAID functionality requires the use of an optional Smart Array mezzanine card. See the Storage Controller options section below.
- **Internal Drive Support:**
  - Up to two (2) non-hot plug SATA Solid State Drives (SSD)
  - With an attached SB40c Storage Blade, up to six (6) hot plug SFF Serial Attached SCSI (SAS) or SATA Hard Drives (optional)
- **Network Controller:**



### Overview

- Integrated NC553i Dual Port FlexFabric 10GbE Adapter supporting stateless TCP/IP offload, TCP Offload Engine (TOE), Fibre Channel over Ethernet (FCoE) and iSCSI protocols  
**NOTE:** Fibre Channel over Ethernet (FCoE) capability requires the use of an HP Virtual Connect FlexFabric 10Gb/24-port Module. Learn more at: [www.hp.com/go/virtualconnect](http://www.hp.com/go/virtualconnect).  
**NOTE:** Each port is autosensing 1 Gb / 10 Gb, and can interoperate with 1 Gb HP BladeSystem c-Class interconnect components. Both ports will operate at the same speed.
- One (1) additional 10/100 server adapter dedicated to iLO 3 Management
- **Mezzanine Support:**
  - Two (2) I/O expansion mezzanine slots
  - Supports up to two (2) mezzanine cards
    - Dual Port FlexFabric Adapter mezzanine option
    - Dual-Port Fibre Channel Mezzanine options for SAN connectivity (Choice of Emulex ,QLogic or Brocade)
    - iSCSI Ethernet mezzanine option for optimized iSCSI connectivity
    - Ethernet server adapter mezzanine options for additional network ports
    - InfiniBand (IB) Mezzanine options for low latency and high bandwidth server interconnectivity
    - Storage Controller mezzanine options for additional internal and external storage connectivity
    - I/O Accelerator mezzanine options for high transaction rate local storage
    - SAS mezzanine option for external direct attach and shared SAS storage
- **Internal USB Support:**
  - One (1) internal USB 2.0 connector for security key devices and USB drive keys
  - One (1) internal SD-HC Card slot
- **Trusted Platform Module:**
  - One (1) internal TPM 1.2 module connector
- **Form Factor:**
  - HP ProLiant BL490c G7 is a half-height server blade that plugs into the HP BladeSystem c3000 and c7000 enclosures
- **Infrastructure Management:**
  - This server blade requires the latest version of the Onboard Administrator firmware. This firmware release may also require other subsystem firmware upgrades. For information on the latest firmware versions, please see the Blades Firmware Maintenance website at: <http://h18004.www1.hp.com/products/blades/components/c-class-compmatrix.html>
  - HP Integrated Lights-Out 3 (iLO 3) management processor for simplified server setup, health monitoring and recovery, power and thermal control, and lights-out remote administration.
  - HP Insight Control, a product option, delivers essential infrastructure management that can help save time and money by making it easy to deploy, migrate, monitor, control and optimize your IT infrastructure through a single, simple management console. Insight Control supports both Windows and Linux-based central management servers.
  - HP Insight Dynamics for ProLiant, a product option, is an integrated command center that enables IT Staff personnel to continuously analyze and optimize a converged infrastructure, while automating and reducing the cost of common data center tasks by as much as 40 percent. This ultimately enables them to dynamically keep pace with the organization's changing business requirements
- **Operating Systems:**
  - Supports Windows, RHEL, SLES, Solaris, VMware, and Citrix XenServer  
**NOTE:** For more information on HP's Certified and Supported ProLiant Servers for OS and Virtualization Software and latest listing of software drivers available for your server, please visit our Support Matrix at: <http://www.hp.com/go/ossupport> and our driver download page
- **Enclosures:**
  - HP offers three different c-Class server blade enclosures to meet your individual needs:
    - The HP BladeSystem c7000 rack enclosure is 10U high and holds up to 16 ProLiant BL490c G7 servers plugged vertically.
    - The HP BladeSystem c3000 rack enclosure is 6U high and holds up to 8 HP ProLiant BL490c G7 servers plugged horizontally.
  - Server blades, storage blades, interconnect modules, power supplies, fans, and redundant Onboard Administrator modules are all designed to fit into the c3000 and c7000 enclosures.



### Overview

- For additional enclosure information, please see:

<http://h18004.www1.hp.com/products/blades/components/enclosures/c-class/index.html>.

**NOTE:** For optimal cooling and system performance the BL490c G7 requires the c7000 enclosure to be configured with 10 fans and the c3000 enclosure to be configured with 6 fans.

- **Warranty:**

- This product is covered by a global limited warranty and supported by HP Services and a worldwide network of HP Authorized Channel Partners. Hardware diagnostic support and repair is available for three years from date of purchase. Support for software and initial setup is available for 90 days from date of purchase. Enhancements to warranty services are available through HP Care Pack services or customized service agreements. Certain restrictions and exclusions apply. Hard drives have either a one year or three year warranty; refer to specific hard drive QuickSpecs for details.

**NOTE:** Server warranty includes 3 year Parts, 3 year Labor, 3-year on-site support. Warranty repairs may be accomplished through the use of Customer Self Repair (CSR) parts. These parts fall into two categories: 1) Mandatory CSR parts are designed for easy replacement. A travel and labor charge will result when customers decline to replace a Mandatory CSR part; 2) Optional CSR parts are also designed for easy replacement but may involve added complexity. Customers may choose to have HP replace Optional CSR parts at no charge. Additional information regarding worldwide limited warranty and technical support is available at:

<http://h18004.www1.hp.com/products/servers/platforms/warranty/index.html>



### Standard Features

**NOTE:** For the Standard Features shipped in the "Factory Integrated Models", please see the "Configuration Information - Factory Integrated Models" section.

#### Processor

##### Six Core Processors

Intel® Xeon® Processor X5675 (3.06 GHz, 12MB L3 Cache, 95W, DDR3-1333, HT, Turbo 2/2/2/2/3/3)

Intel® Xeon® Processor X5670 (2.93 GHz, 12MB L3 Cache, 95W, DDR3-1333, HT, Turbo 2/2/2/2/3/3)

Intel® Xeon® Processor X5650 (2.66 GHz, 12MB L3 Cache, 95W, DDR3-1333, HT, Turbo 2/2/2/2/3/3)

Intel® Xeon® Processor E5649 (2.53 GHz, 12MB L3 Cache, 80W, DDR3-1333, HT, Turbo 1/1/1/1/2/2)

Intel® Xeon® Processor L5640 (2.26 GHz, 12MB L3 Cache, 60W, DDR3-1333, HT, Turbo 2/2/3/3/4/4)

##### Four Core Processors

Intel® Xeon® Processor X5672 (3.20 GHz, 12MB L3 Cache, 95W, DDR3-1333, HT, Turbo 2/2/3/3)

Intel® Xeon® Processor L5630 (2.13 GHz, 12MB L3 Cache, 40W, DDR3-1066, HT, Turbo 1/1/2/2)

**NOTE:** HT indicates that the processor model supports Intel® Hyper-Threading Technology.

**NOTE:** Turbo indicates the maximum potential frequency increment when using Intel® Turbo Boost Technology, with 4, 3, 2, and 1 cores active on four core 5600 series processors or with 6,5,4,3,2,1 cores active on six core 5600 series processors.

**NOTE:** DDR3 speed is the maximum memory speed of the processor. Actual memory speed may depend on the quantity and type of DIMMs installed.

**NOTE:** For the Intel 5600 Series, the letter preceding the model number indicates the performance/wattage of the processor. "X" denotes High Performance/Wattage; "E" denotes Enterprise Performance/Wattage (Mainstream); and "L" denotes Lower Wattage.

---

Upgradeability	Upgradeable to two (2) processors
----------------	-----------------------------------

---

Cache Memory	12MB shared L3 cache
--------------	----------------------

---

Chipset	Intel® 5520 Chipset
---------	---------------------

---



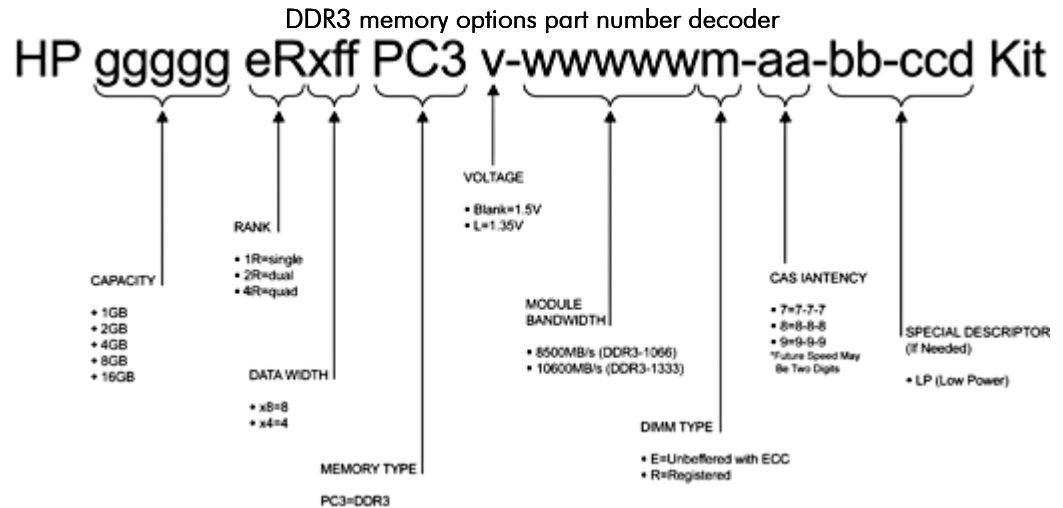
### Standard Features

<b>Memory</b>	Type	DDR3 Registered (RDIMM) or Unbuffered (UDIMM)
	Standard	6 GB (3 x 2GB) RDIMM and 12GB (3 x 4GB) RDIMM
	Maximum (RDIMM)	384 GB (12 x 32 GB) for Registered Memory configurations
	Maximum (UDIMM)	48 GB (12 x 4 GB) for Unbuffered Memory configurations

**NOTE:** A minimum of 2GB of memory must be installed.

**NOTE:** Depending on the memory configuration and processor model the memory speed may run at 1333MHz, 1066MHz or 800MHz. Please see the Online Memory Configuration Tool for details;

[www.hp.com/go/ddr3memory-configurator](http://www.hp.com/go/ddr3memory-configurator)



<b>Memory Protection</b>	Advanced ECC (multi-bit error protection) Memory Mirroring Mode Memory Lock-Step Mode Memory Online Spare Mode supported on Xeon 5600 Series processors
--------------------------	--

<b>Network Controller</b>	Integrated NC553i Dual Port FlexFabric 10Gb Adapter <b>NOTE:</b> FlexFabric capability requires the use of an HP Virtual Connect Flex-Fabric module. Learn more at: <a href="http://www.hp.com/go/virtualconnect">www.hp.com/go/virtualconnect</a> . <b>NOTE:</b> Fibre Channel over Ethernet (FCoE) capability requires the use of an HP Virtual Connect FlexFabric 10Gb/24-port Module. Learn more at: <a href="http://www.hp.com/go/virtualconnect">www.hp.com/go/virtualconnect</a> . One (1) additional 10/100 NIC dedicated to iLO 3 Management
---------------------------	--

<b>I/O Expansion Slots</b>	Two (2) I/O expansion mezzanine slots (x8 PCI Express)
----------------------------	--

<b>Integrated Manageability</b>	HP Integrated Lights-Out 3 (iLO 3) management processor
---------------------------------	---



### Standard Features

#### Storage Controller

HP Embedded SATA RAID Controller

**NOTE:** This is a chipset SATA RAID controller. It supports RAID 0 and 1 only and no Battery Backed Write Cache. User needs to enable the RAID option through HP RBSU (ROM Base Setup Utility) first before the RAID can be activated. Users also need to download the OS driver from:

<http://www.hp.com/support/BL490cG7> for OS Array Monitoring.

**NOTE:** HW RAID functionality requires the use of an optional Smart Array mezzanine card. See the Storage Controller options section below.

---

#### Maximum Internal Storage

Non-Hot Plug SATA SSD	240GB	2 x 120GB
-----------------------	-------	-----------

Hot Plug SFF SAS	1.8TB	6 x 300GB
------------------	-------	-----------

**NOTE:** Hot Plug SFF SAS maximum internal storage supported with optional SB40c Storage Blade attached.

---

#### Graphics

Integrated Matrox G200

---

#### Graphics Resolution Supported

Resolution	Color	Depths	1600 x 1200, 64K, 256, 16
			1280 x 1024, 16.7M, 64k, 256, 16
			1024 x 768, 16.7M, 64k, 256, 16
			800 x 600, 16.7M, 64k, 256, 16
			640 x 480, 16.7M, 64k, 256, 16

**NOTE:** Maximum resolution available via HP Integrated Lights-Out 3 (iLO 3) remote console is 1280 x 1024.

---

#### Fibre Channel Support

Two (2) optional Fibre Channel HBAs are supported by the HP ProLiant BL490c G7. Both mezzanine circuit boards connect directly to the server blade system board. These Fibre Channel HBAs are available via option kits and must be ordered separately.

HBA mezzanine card option kits:

Emulex LPe1105 4Gb Fibre Channel Host Bus Adapter for c-Class BladeSystem (PN 403621-B21)

- Based on the same field-proven ASIC, firmware, and driver technology as Emulex's renowned LPe1150 HBA, the Emulex LPe1105-HP is fully driver compatible with all Emulex HBAs

Emulex LPe1205 8Gb Fibre Channel Host Bus Adapter for c-Class BladeSystem (PN 456972-B21)

- Exceptional performance, enhanced security, and scalable management for virtual server and enterprise-class applications

QLogic QMH2462 4Gb Fibre Channel Host Bus Adapter for c-Class BladeSystem (PN 403619-B21)

- Uses common drivers which means that customers can standardize on one QLogic driver whether they are using the QMH2462 or other HBAs powered by QLogic

QLogic QMH2562 8Gb Fibre Channel Host Bus Adapter for c-Class BladeSystem (PN 451871-B21)

- Provides a first step into the 8Gb future, advanced, embedded support for virtualized environments and reduced power consumption



### Standard Features

HP BLc Brocade 804 8Gb Fibre Channel Host Bus Adapter (PN 590647-B21)

- Application oriented Quality of Service (AQoS) providing the ability to configure, prioritize, and optimize traffic flows from virtual machines and/or applications to the target port

Brocade, Emulex and QLogic Fibre Channel HBAs for HP BladeSystem c-Class feature:

- Optimal performance utilizing PCI Express
- 4/2/1Gb/s auto negotiating speeds (4Gb HBAs)
- 8/4/2Gb/s auto negotiation speeds (8Gb HBAs)
- Dual-ports for redundant path connections
- Up to two FC HBAs per server blade providing redundant FC HBA support
- Optimized for HP StorageWorks and supported by third party SAN vendors
- Support for Microsoft® Windows® and Linux operating system environments

---

### Compatible SAN

HP ProLiant BL490c G7 server blades are optimized for HP StorageWorks MSA, EVA and XP

HP ProLiant BL490c G7 server blades are compatible with select 3rd party SANs (please see blade storage page for more details: <http://h18004.www1.hp.com/products/blades/components/c-class-sans.html>)

---

### HP Virtual Connect

HP Virtual Connect is an interconnect option for BladeSystem c-Class that simplifies server connectivity to data and storage networks, and reduces costs. Unique HP Flex-10 and FlexFabric technologies make maximum use of network bandwidths, provide dynamic tuning and enable extreme flexibility to meet individual server and infrastructure requirements. HP Virtual Connect Enterprise Manager (VCEM) provides a central console to administer network connections and workloads for thousands of servers. For more information on Virtual Connect Ethernet, Fibre Channel, Converged Network and management options see: [www.hp.com/go/virtualconnect](http://www.hp.com/go/virtualconnect)

---

### HP Insight management software

HP Insight Foundation

Managing the growing number of servers can be complex and expensive for your organization. IT managers need to address changing business needs with tools that meet the challenges of managing today's complex Datacenters.

HP provides management solutions that are designed to simplify a server's installation, configuration and maintenance throughout the entire server lifecycle. This provides the customer with higher levels of operational efficiency and highly reliable systems: <http://www.hp.com/go/foundation>.

The foundation pack includes:

- HP SmartStart
- HP Management DVD
- HP ProLiant Smart Update Firmware DVD
- SmartStart version supported (minimum): SmartStart 8.50.  
<http://www.hp.com/servers/smartstart>

**NOTE:** In an effort to support reducing our environmental impact, the HP Insight Foundation Suite for ProLiant media will be available as a selectable





### Standard Features

	<p>option for this server at time of order of a Factory Integrated Model. This will allow customers to order the number of media kits that best meet their needs and eliminate receiving unnecessary duplicate media.</p>
HP Integrated Lights-Out	<p>HP Integrated Lights-Out (iLO) simplifies server setup, health monitoring, power and thermal control, and lights-out remote administration of ProLiant ML, DL, and BL servers. HP iLO functions without additional software and can be accessed from any location via a web browser. HP iLO works hand-in-hand with HP Systems Insight Manager, Insight Control suites, and Insight Dynamics for ProLiant, helping customers unleash the value of the ProLiant platform and deliver the highest possible quality of IT service. For more information, visit: <a href="http://www.hp.com/go/iLO">www.hp.com/go/iLO</a></p>
HP Insight Control	<p>HP Insight Control, a product option, delivers essential infrastructure management that can help save time and money by making it easy to deploy, migrate, monitor, remote control, and optimize your IT infrastructure through a single, simple management console.</p> <p>Two versions of Insight Control are available, to serve environments requiring either a Linux-based or a Windows-based central management server: HP Insight Control for Linux, and HP Insight Control. See <a href="http://www.hp.com/go/insightcontrol">www.hp.com/go/insightcontrol</a></p> <p>HP Insight Control includes one year of 24 x 7 HP Software Technical Support and Update Service ensuring rapid access to HP support staff and proactive delivery of software updates. For more information about this service, please visit: <a href="http://www.hp.com/services/insight">http://www.hp.com/services/insight</a>.</p>
HP Insight Dynamics for ProLiant	<p>HP Insight Dynamics for ProLiant, a product option, is advanced infrastructure management software that enables IT staff to instantly adjust their environments to meet dynamic business demands by provisioning, optimizing and protecting complex infrastructure in minutes. It's a powerful toolkit, integrated-by-design, that accelerates complex technology projects and simplifies daily operations, transforming data center economics. With Insight Dynamics IT professionals can plan capacity and power continuously, balance workloads across physical and virtual resources, and ensure cost-effective high availability. It also enables IT organizations to provision infrastructure consistently and automatically from pools of shared resources using a self-service portal. Resources provisioned can range from a single virtual machine to complex multi-tier environments and their associated physical and virtual resource requirements. In addition to the previous functional benefits, it also provides a cost-effective disaster recovery for physical and virtual environments that works with HP StorageWorks Continuous Access software for both the Enterprise Virtual Array and the XP storage array allowing application environments to be reactivated in minutes with the touch of a button to a remote location.</p>

**NOTE:** For more information, visit:  
<http://www.hp.com/go/insightdynamics>



### Standard Features

#### High Performance Clusters

HP Cluster Platforms	HP Cluster Platforms are specifically engineered, factory-integrated large-scale ProLiant clusters optimized for High Performance Computing, with a choice of servers, networks and software. Operating system options include specially priced offerings for Red Hat Enterprise Linux and Novell SLES, as well as Microsoft Windows HPC Server. A Cluster Platform Configurator simplifies ordering. <a href="http://www.hp.com/go/clusters">http://www.hp.com/go/clusters</a>
HP HPC Interconnects	High Performance Computing (HPC) interconnect technologies are available for this server as part of the HP Cluster Platform portfolio. These high-speed InfiniBand and Gigabit interconnects are fully supported by HP when integrated within an HP cluster. Flexible, validated solutions can be defined with the help of configuration tools. <a href="http://www.hp.com/techservers/clusters/ucp/index.html">http://www.hp.com/techservers/clusters/ucp/index.html</a>
HP Cluster Management Utility	HP Cluster Management Utility (CMU) is an HP-licensed and HP-supported suite of tools that are used to manage large-scale Linux ProLiant systems. CMU includes software for the centralized provisioning, management and monitoring of nodes. CMU makes the administration of clusters user friendly, efficient, and effective. <a href="http://www.hp.com/go/cmu">http://www.hp.com/go/cmu</a>
HP HPC Linux Value Pack	HP HPC Linux Value Pack (Value Pack) is an HP-licensed and HP-supported specially priced software bundle for the development and deployment of applications on HPC Cluster Platforms. Value Pack includes the Platform HPC Enterprise Edition suite of tools including the LSF workload scheduler, the HP-MPI parallelization library. Also included are the HP Unified Parallel C compiler and the HP Shmem library, as well as the execution environments for the libraries and compiler. <a href="#">HP HPC Linux Value Pack</a>

#### Operating Systems and Virtualization Software Support for ProLiant Servers

[Microsoft Windows Server](#)  
[Red Hat Enterprise Linux \(RHEL\)](#)  
[SUSE Linux Enterprise Server \(SLES\)](#)  
[Solaris](#)  
[VMware](#)  
[Citrix XenServer](#)

**NOTE:** For more information on HP's Certified and Supported ProLiant Servers for OS and Virtualization Software and latest listing of software drivers available for your server, including how to purchase from HP, please visit our OS Support at: <http://www.hp.com/go/ossupport> and our driver download page <http://www.hp.com/support/BL490cG7>

#### Availability

Dual-port embedded 10 Gigabit adapters for redundant network connections  
Two (2) non hot-plug SATA SSD with integrated chipset RAID  
Redundant ROM  
Advanced ECC Memory  
Support for Memory Mirroring Mode and Memory Lock-Step Mode  
Support for Memory Online Spare Mode with Xeon 5600 Series processors  
Network adapter teaming (network fault tolerance, transmit load balancing, switch-assisted load balancing)



### Standard Features

Industry Standard Compliance	ACPI V2.0 Compliant PCI 2.2 Compliant WOL Support Microsoft® Logo certifications USB 2.0 Support IMPI 2.0 Compliant SMASH CLP Compliant
------------------------------	---

---

### Security

- Power-on password
  - Administrator's password
  - Integrated Lights-Out 3 with:
    - 12 customizable user accounts
    - SSL encryption
    - Secure Shell version 2
    - Advanced Encryption Standard (AES) and Triple Data Encryption Standard (3DES) on browser, CLP and XML scripting interface
    - AES and RC4 encryption of video
    - Disable via a global setting
  - Keyboard password
  - External USB port enable/disable
  - Network server mode
  - Serial interface control
  - TPM (Trusted Platform Module) 1.2 option
- 

### Security - Trusted Platform Module

The TPM (Trusted Platform Module) is a microcontroller chip that can securely store artifacts used to authenticate the server platform. These artifacts can include passwords, certificates and encryption keys. Windows® BitLocker™ Drive Encryption (BitLocker) is a data protection feature available in Windows Server® 2008. BitLocker leverages the enhanced security capabilities of a Trusted Platform Module (TPM) version 1.2. The TPM works with BitLocker to help protect user data and to ensure that a server running Windows Server 2008 has not been tampered with while the system was offline.

**NOTE:** For more information about TPM, including a white paper, go to: <http://www.hp.com/go/TPM>

**NOTE:** ProLiant OS pre-installed units will come with the partition required for TPM deployment.

**NOTE:** The TPM key is unique to every TPM deployed server and must be retained. Misplacing or losing the key could result in data loss.

---



### Standard Features

#### Factory Express Portfolio for Servers and Storage

HP Factory Express offers configuration, customization, integration and deployment services for HP servers and storage products. Customers can choose how their factory solutions are built, tested, integrated, shipped and deployed.

Factory Express offers service packages for simple configuration, racking, installation, complex configuration and design services as well as individual factory services, such as image loading, asset tagging, and custom packaging. HP products supported through Factory Express include a wide array of servers and storage: HP Integrity, HP ProLiant, HP ProLiant Server Blades, HP BladeSystem, HP 9000 servers as well as the MSAxxxx, VA7xxx, EVA, XP, rackable tape libraries and configurable network switches.

For more information on Factory Express services on your specific server model please contact your sales representative or go to: <http://www.hp.com/go/factory-express>.

---

#### HP Enterprise Configurator

The HP eConfigure Enterprise Configurator now provides factory default racking for our HP hardware portfolio. This approach is aligned with our strategic direction to meet the needs and expectations of our valued customers. If you require "custom" rack configuration, please contact HP's Customer Business Center or an Authorized Partner for assistance. For additional information please visit: <http://www.hp.com/products/configurator>



### Service and Support

#### Service and Support

##### **HP Technology Services for Industry Standard Servers and BladeSystem**

Capitalizing on HP ProLiant server and HP BladeSystem capabilities requires a service partner who understands your increasingly complex business technology environment. That's why it makes sense to team up with the people who know HP infrastructure hardware and software best - the experienced professionals at HP Services.

##### **What HP ProLiant and BladeSystem Services can do for you**

HP ProLiant and BladeSystem Services can help you design, deploy, test, integrate, support, and manage IT and infrastructure solutions. This way, HP proposes services solutions that include more than just uplift of base warranty. You can get the support you need by choosing from one of a number of service packaged solutions we have designed to address wider set of customer support needs:.

##### **HP Technology Services meets business challenges with services offered in three packages**

Optimized Care Package, Standard Care Package, and Basic Care Package - available for each product group. Such packaged solutions enable customers to optimize technology operations, minimize risk and drive better business outcomes with easy-to-buy, easy-to-use scalable support packages for servers, storage, networking and software.

---

#### Optimized Care Package Supports maintaining servers at optimum performance availability

##### **HP Installation and Startup Service for HP BladeSystem c-Class Infrastructure for c3000/c7000 enclosure**

Provides for the installation and startup of a BladeSystem c3000 Infrastructure in a single blade enclosure including hardware and software, including deployment of OS, HP SIM, RDP, RDP, PMP and VPM.

<http://h20195.www2.hp.com/V2/GetPDF.aspx/4AA0-5964ENW>

##### **3-Year HP Critical Advantage for c3000/c7000 enclosure + 3-Year HP Critical Advantage for Blade server**

Provides end-to-end infrastructure support solution for business critical applications running on virtualized/x86 infrastructures, enabling the customers to cost effectively build, operate, and continuously improve their IT environment. <http://h20195.www2.hp.com/V2/GetDocument.aspx?docname=4AA3-1772ENW>

##### **HP Installation and Startup Service for HP BladeSystem c-Class Enhanced Network**

HP Provides for the configuration and testing of BladeSystem Ethernet interconnect switches to facilitate proper implementation of network protocols and access to advanced features.

<http://h20195.www2.hp.com/V2/GetPDF.aspx/4aa0-5969ENW>

**Additional Services:** Virtualization Services - Strategy, Design, Transition, Operation, Continual Service Improvement.



### Service and Support

**Standard Care Package** Package that maintains high level of server availability

**HP Installation and Startup Service for HP BladeSystem c-Class Infrastructure for c3000/c7000 enclosure**

Provides for the installation and startup of a BladeSystem c3000 Infrastructure in a single blade enclosure including hardware and software, including deployment of OS, HP SIM, RDP, RDP, PMP and VPM.

<http://h20195.www2.hp.com/V2/GetPDF.aspx/4AA0-5964ENW>

**HP Installation and Startup Service for HP BladeSystem c-Class Enhanced Network**

HP Provides for the configuration and testing of BladeSystem Ethernet interconnect switches to facilitate proper implementation of network protocols and access to advanced features.

<http://h20195.www2.hp.com/V2/GetPDF.aspx/4aa0-5969ENW>

**3-Year, HP 6 hour Hardware Support Onsite Call-to-Repair Service for c3000/c7000 enclosure + 3-Year, HP 6 hour Hardware Support Onsite Call-to-Repair Service for Blade server**

Provides an IT manager with a team of support specialists who will quickly begin troubleshooting the system to help return the hardware to operating condition within 6 hours of the initial service request to the HP Global Solution Center.

<http://h20195.www2.hp.com/V2/GetPDF.aspx/5981-6636ENN>

**3-Year , HP 24x7 Software Support for Insight Control**

Provides for the deployment and basic configuration of HP Insight Control on HP ProLiant ML and DL series servers or HP BladeSystem servers.

<http://h20195.www2.hp.com/V2/GetPDF.aspx/5981-6645EEE.pdf>

**Additional Services:** Software OS (Microsoft, Linux (SUSE/Red Hat) & VMware Installation & Start Up and Software Support); Microsoft or Linux or VMware education courses; +60 Proactive Select Credits, Factory Express.

---

### Basic Care Package

Delivers minimum recommended support service level

**HP Installation and Startup Service for HP BladeSystem c-Class Infrastructure for c3000/c7000 enclosure**

Provides for the installation and startup of a BladeSystem c3000 Infrastructure in a single blade enclosure including hardware and software, including deployment of OS, HP SIM, RDP, RDP, PMP and VPM.

<http://h20195.www2.hp.com/V2/GetPDF.aspx/4AA0-5964ENW>

**3-Year, HP 24x7 4 hour Response, Hardware Support Onsite Service for c3000/c7000 enclosure + 3-Year, HP 24x7 4 hour Response, Hardware Support Onsite Service for Blade server**

Provides you with rapid remote support and if required an HP authorized representative who will arrive on site any time and day of the year to begin hardware maintenance service within 4 hours of the service request being logged.

<http://h20195.www2.hp.com/V2/GetPDF.aspx/5982-6547EEE>

**3-Year , HP 24x7 Software Support for Insight Control**

Provides for the deployment and basic configuration of HP Insight Control on HP ProLiant ML and DL series servers or HP BladeSystem servers.

<http://h20195.www2.hp.com/V2/GetPDF.aspx/5981-6645EEE.pdf>



### Service and Support

**Additional Services:** Startup Blade System c-Cass Enhanced Network Service; Software OS (Microsoft, Linux (SUSE/Red Hat) & VMware Installation & Start Up and Software Support); +30 Proactive Select Credits, Factory Express.

---

**Insight Remote Support** The packages include HP Insight Remote Support that uses proven technology to deliver secure, reliable 24x7 remote monitoring, diagnoses, and problem resolution. It is available at no additional cost to all warranty, HP Care Pack Service, and service agreement customers.

---

**For more information** To learn more on HP ProLiant servers and HP BladeSystem servers, please contact your HP sales representative or HP Authorized Channel Partner. Or visit: [www.hp.com/services/bladeSystem](http://www.hp.com/services/bladeSystem)



### Models

#### Models

**NOTE:** Not all models are available in all regions. Check with your local country HP offices for availability.

**NOTE:** For the Standard Features shipped in the "Factory Integrated Models", please see the "Configuration Information - Factory Integrated Models" section.

<b>HP ProLiant BL490c G7 X5675 1P 12GB-R Server</b> 637392-B21	<b>Processor(s)</b> <a href="#">One of the following depending on model</a>	(1) Intel® Xeon® Processor X5675 (3.06 GHz, 12MB L3 Cache, 95W, DDR3-1333, HT, Turbo 2/2/2/2/3/3) One (1) Intel® Xeon® Processor X5670 (2.93 GHz, 12MB L3 Cache, 95W, DDR3-1333, HT, Turbo 2/2/2/2/3/3)
<b>HP ProLiant BL490c G7 X5670 1P 12GB-R Emb SATA Server</b> 603599-B21		One (1) Intel® Xeon® Processor X5650 (2.66 GHz, 12MB L3 Cache, 95W, DDR3-1333, HT, Turbo, 2/2/2/2/3/3) One (1) Intel® Xeon® Processor L5630 (2.13 GHz, 12MB L3 Cache, 40W, DDR3-1066, HT, Turbo, 1/1/2/2)
<b>HP ProLiant BL490c G7 X5650 1P 6GB-R Emb SATA Server</b> 603602-B21	<b>Cache Memory</b> <b>Memory</b> <a href="#">One of the following depending on model</a>	(1) Intel® Xeon® Processor E5649 (2.53 GHz, 12MB L3 Cache, 80W, DDR3-1333, HT, Turbo 1/1/1/1/2/2) 12MB 12 GB (3 x 4 GB) PC3-10600 (DDR3-1333) Registered DIMMs 6 GB (3 x 2 GB) PC3-10600 (DDR3-1333) Registered DIMMs 12GB (3 x 4 GB) PC3L-10600 (DDR3-1333) Low Voltage Registered DIMMs
<b>HP ProLiant BL490c G7 L5630 1P 12GB-L Emb SATA Server</b> 603605-B21	<b>Network Adapter</b>	Embedded NC553i Dual Port FlexFabric 10GbE Adapter and one (1) additional 10/100 server adapter dedicated to iLO 3 Management
<b>HP ProLiant BL490c G7 E5649 1P 6GB-R Server</b> 637615-B21	<b>Storage Controller</b> <b>Hard Drives</b> <b>Internal Storage</b> <b>Optical Drive</b> <b>Power Supply</b> <b>Form Factor</b>	HP Embedded SATA chipset RAID None ship standard SSD: Up to 240GB (2 x 120GB) SATA, Maximum None None Up to eight (8) half-height blades supported in the HP BladeSystem c3000 Enclosure Up to sixteen (16) half-height blades supported in HP BladeSystem c7000 Enclosure





### Configuration Information - Factory Integrated Models

**NOTE:** This section lists some of the steps required to configure a Factory Integrated Model. To ensure only valid configurations are ordered, HP recommends the use of an HP approved configurator. Contact your local sales representative for information on CTO product offerings and requirements.

**NOTE:** HP does not allow factory integration of options into standard models listed above.

Configure-to-order server blades must start with a CTO Blade.

**NOTE:** FIO indicates that this option is a Factory Installable Option.

### Step 1: Base Server Blade Configuration (Select a configurable Blade)

Models	HP ProLiant BL490c G7 Configure-to-order Server	603719-B21
	<b>Configurable Model ships with:</b>	
	Integrated NC553i Dual Port FlexFabric 10Gb Adapter and one (1) additional 10/100 server adapter dedicated to iLO 3 management	
	Integrated Lights-Out 3 Standard Blade Edition	

### Step 2: Choose Required Options (one of the following from each list unless otherwise noted)

HP Processors	<p>For single processor configuration choose:  <b>NOTE:</b> If two processors are desired, select one xxxxx-L21 and one xxxxx-B21.</p> <p><b>Six-Core Processor Option Kits</b></p> <p>HP BL490c G7 Intel® Xeon® X5675 (3.06GHz/6-core/12MB/95W) FIO Processor Kit 637437-L21</p> <p>HP BL490c G7 Intel® Xeon® X5670 (2.93GHz/6-core/12MB/95W) FIO Processor Kit 603600-L21</p> <p>HP BL490c G7 Intel® Xeon® X5650 (2.66GHz/6-core/12MB/95W) FIO Processor Kit 603603-L21</p> <p>HP BL490c G7 Intel® Xeon® E5649 (2.53GHz/6-core/12MB/80W) FIO Processor Kit 637441-L21</p> <p>HP BL490c G7 Intel® Xeon® L5640 (2.26GHz/6-core/12MB/60W) FIO Processor Kit 612892-L21</p> <p><b>Four-Core Processor Option Kits</b></p> <p>HP BL490c G7 Intel® Xeon® X5672 (3.20GHz/4-core/12MB/95W) FIO Processor Kit 637439-L21</p> <p>HP BL490c G7 Intel® Xeon® L5630 (2.13GHz/4-core/12MB/40W) FIO Processor Kit 603606-L21</p>
HP Memory	<p><b>Registered DIMMS (RDIMMs)</b></p> <p>HP 2GB (1x2GB) Dual Rank x8 PC3-10600 (DDR3-1333) Registered CAS-9 Memory Kit 500656-B21</p> <p>HP 4GB (1x4GB) Dual Rank x4 PC3-10600 (DDR3-1333) Registered CAS-9 Memory Kit 500658-B21</p> <p>HP 4GB (1x4GB) Single Rank x4 PC3-10600 (DDR3-1333) Registered CAS-9 Memory Kit 593339-B21</p> <p>HP 4GB (1x4GB) Single Rank x4 PC3L-10600 (DDR3-1333) Registered CAS-9 Low Power Memory Kit 604504-B21</p> <p><b>NOTE:</b> Low Voltage DIMMs can only be used with Intel Xeon 5600 series processors.</p> <p>HP 8GB (1x8GB) Dual Rank x4 PC3-10600 (DDR3-1333) Registered CAS-9 Memory Kit 500662-B21</p>



### Configuration Information - Factory Integrated Models

HP 8GB (1x8GB) Dual Rank x4 PC3L-10600 (DDR3-1333) Registered CAS-9 Low Power Memory Kit 604506-B21

**NOTE:** Low Voltage DIMMs can only be used with Intel Xeon 5600 series processors.

HP 16GB (1x16GB) Dual Rank x4 PC3L-10600 (DDR3-1333) Registered CAS-9 LP Memory Kit 627812-B21

HP 16GB (1x16GB) Quad Rank x4 PC3-8500 (DDR3-1066) Registered CAS-7 Memory Kit 500666-B21

HP 32GB (1x32GB) Quad Rank x4 PC3L-8500 (DDR3-1066) Registered CAS-7 LP Memory Kit 627814-B21

#### Unbuffered with ECC DIMMs (UDIMMs)

HP 1GB (1x1GB) Single Rank x8 PC3-10600 (DDR3-1333) Unbuffered CAS-9 Memory Kit 500668-B21

HP 2GB (1x2GB) Dual Rank x8 PC3-10600 (DDR3-1333) Unbuffered CAS-9 Memory Kit 500670-B21

HP 4GB (1x4GB) Dual Rank x8 PC3-10600 (DDR3-1333) Unbuffered CAS-9 Memory Kit 500672-B21

**NOTE:** All DDR3 memory option kits consist of one DIMM per kit. For detailed memory configuration rules and guidelines, please use the Online DDR3 Memory Configuration Tool: [www.hp.com/go/ddr3memory-configurator](http://www.hp.com/go/ddr3memory-configurator).

**NOTE:** Kits described as LP include Low Power DIMMs. For more information on ProLiant Energy Efficient Features, see: [www.hp.com/go/proliant-energy-efficient](http://www.hp.com/go/proliant-energy-efficient).

**NOTE:** PC3L is a low voltage memory.

### Step 3: Choose Additional Options for Factory Integration

**NOTE:** For additional options, please refer to the "Core Options" and "Additional Options" section below. For additional options, including server blade enclosures interconnect and mezzanine options and power subsystem options; please see the Core Options and Additional Options sections below; or the following:

HP BladeSystem c-Class Enclosures QuickSpecs:

HP BladeSystem c3000 Enclosure QuickSpecs:

[http://h18000.www1.hp.com/products/quickspecs/12790\\_div/12790\\_div.html](http://h18000.www1.hp.com/products/quickspecs/12790_div/12790_div.html)

HP BladeSystem c7000 Enclosure QuickSpecs:

[http://h18000.www1.hp.com/products/quickspecs/12810\\_div/12810\\_div.html](http://h18000.www1.hp.com/products/quickspecs/12810_div/12810_div.html)

and HP BladeSystem c-Class Interconnect and Mezzanine Components:

<http://h18004.www1.hp.com/products/blades/components/c-class-interconnects.html>

<http://h18004.www1.hp.com/products/blades/components/c-class-adapters.html>



### Core Options

**NOTE:** Some options may not be available for factory integration. Please contact an HP sales representative for additional information.

<b>HP Ethernet Mezzanine Options</b>	<p><b>Gigabit Ethernet Mezzanines</b></p> <p>HP NC325m PCI Express Quad Port Gigabit Server Adapter 416585-B21</p> <p><b>NOTE:</b> If the NC325m is installed in mezzanine slot 1 of a half-height server, connectivity will be provided on 2 of the 4 ports.</p> <p>HP NC364m Quad Port 1GbE BL-c Adapter 447883-B21</p> <p><b>NOTE:</b> If the NC364m is installed in mezzanine slot 1 of a half-height server, connectivity will be provided on only 2 of the 4 ports.</p> <p>HP NC382m PCI Express Dual Port Multifunction Gigabit Server Adapter 453246-B21</p> <p><b>NOTE:</b> The Gigabit Ethernet adapters above transmit from the server at 2000 Mbps, full duplex per port only. For more information, see the "Network Controller" segment in the Standards Features section.</p> <p><b>10 Gigabit Ethernet Mezzanines</b></p> <p><b>NOTE:</b> A 10 Gigabit Ethernet adapter is required for each server blade connecting to a 10Gb interconnect in bays 3-8 (HP BladeSystem c7000 Enclosure) or bays 2-4 (HP BladeSystem c3000 Enclosure).</p> <p><b>NOTE:</b> Each 10 Gigabit Ethernet adapter requires a minimum of 2GB of server memory.</p> <p><b>NOTE:</b> Each 10 Gigabit Ethernet adapter supports linking at 1000Mbps or 10000Mbps when not connected to a Flex-10 enabled module and will link with all current 1Gb switches at 1Gb.</p> <p><b>NOTE:</b> The ROM Based Setup Utility (RBSU) feature allows for the configuring of a FlexFabric Adapter to any of the supported protocols. For example iSCSI to FCoE (Fibre Channel over Ethernet). Note that a HP Virtual Connect profile takes precedence over the setting in this menu. Also, some FlexFabric Adapters may require that network boot be enabled in order to configure the protocol. If the protocol is configured without enabling network boot with certain FlexFabric Adapters, the protocol may not take effect. Once the protocol has taken effect on the first boot after configuring this option, network boot may be disabled if desired.</p> <p>HP NC532m Dual Port 10GbE BL-c Adapter 467799-B21</p> <p>HP NC542m Dual Port Flex-10 10GbE Multifunction BL-c Adapter 539857-B21</p> <p>HP BLc NC552m Flex-10GbE Dual Port Adapter 610609-B21</p> <p>HP NC553m 10Gb 2-port FlexFabric Converged Network Adapter 613431-B21</p>
--------------------------------------	---

<b>HP Fibre Channel Mezzanine Options</b>	<p>Emulex LPe1205 8Gb Fibre Channel Host Bus Adapter for c-Class BladeSystem 456972-B21</p> <p>Emulex LPe1105 4Gb Fibre Channel Host Bus Adapter for c-Class BladeSystem 403621-B21</p> <p>QLogic QMH2562 8Gb Fibre Channel Host Bus Adapter for c-Class BladeSystem 451871-B21</p> <p>QLogic QMH2462 4Gb Fibre Channel Host Bus Adapter for c-Class BladeSystem 403619-B21</p> <p>HP BLc Brocade 804 8Gb Fibre Channel Host Bus Adapter 590647-B21</p>
---	---



### Core Options

#### HP Processors

##### Six-Core Processors

HP BL490c G7 Intel® Xeon® X5675 (3.06GHz/6-core/12MB/95W) Processor Kit	637437-B21
HP BL490c G7 Intel® Xeon® X5670 (2.93GHz/6-core/12MB/95W) Processor Kit	603600-B21
HP BL490c G7 Intel® Xeon® X5650 (2.66GHz/6-core/12MB/95W) Processor Kit	603603-B21
HP BL490c G7 Intel® Xeon® E5649 (2.53GHz/6-core/12MB/80W) Processor Kit	637441-B21
HP BL490c G7 Intel® Xeon® L5640 (2.26GHz/6-core/12MB/60W) Processor Kit	612892-B21

##### Four-Core Processors

HP BL490c G7 Intel® Xeon® X5672 (3.20GHz/4-core/12MB/95W) Processor Kit	637439-B21
HP BL460c G7 Intel® Xeon® L5630 (2.13GHz/4-core/12MB/40W) Processor Kit	603574-B21

**NOTE:** When upgrading or ordering spares for CPU 1, reuse the heatsink that was originally shipped with CPU 1 and ensure sufficient thermal grease is applied.

#### HP Memory

##### Registered DIMMs (RDIMMs)

HP 2GB (1x2GB) Dual Rank x8 PC3-10600 (DDR3-1333) Registered CAS-9 Memory Kit	500656-B21
HP 4GB (1x4GB) Dual Rank x4 PC3-10600 (DDR3-1333) Registered CAS-9 Memory Kit	500658-B21
HP 4GB (1x4GB) Single Rank x4 PC3-10600 (DDR3-1333) Registered CAS-9 Memory Kit	593339-B21
HP 4GB (1x4GB) Single Rank x4 PC3L-10600 (DDR3-1333) Registered CAS-9 Low Power Memory Kit	604504-B21
<b>NOTE:</b> Low Voltage DIMMs can only be used with Intel Xeon 5600 series processors.	
HP 8GB (1x8GB) Dual Rank x4 PC3-10600 (DDR3-1333) Registered CAS-9 Memory Kit	500662-B21
HP 8GB (1x8GB) Dual Rank x4 PC3L-10600 (DDR3-1333) Registered CAS-9 Low Power Memory Kit	604506-B21
<b>NOTE:</b> Low Voltage DIMMs can only be used with Intel Xeon 5600 series processors.	
HP 16GB (1x16GB) Dual Rank x4 PC3L-10600 (DDR3-1333) Registered CAS-9 LP Memory Kit	627812-B21
HP 16GB (1x16GB) Quad Rank x4 PC3-8500 (DDR3-1066) Registered CAS-7 Memory Kit	500666-B21
HP 32GB (1x32GB) Quad Rank x4 PC3L-8500 (DDR3-1066) Registered CAS-7 LP Memory Kit	627814-B21

##### Unbuffered with ECC (UDIMMs)

HP 1GB (1x1GB) Single Rank x8 PC3-10600 (DDR3-1333) Unbuffered CAS-9 Memory Kit	500668-B21
HP 2GB (1x2GB) Dual Rank x8 PC3-10600 (DDR3-1333) Unbuffered CAS-9 Memory Kit	500670-B21
HP 4GB (1x4GB) Dual Rank x8 PC3-10600 (DDR3-1333) Unbuffered CAS-9 Memory Kit	500672-B21

**NOTE:** All DDR3 memory option kits consist of one DIMM per kit. For detailed memory configuration rules and guidelines, please use the Online DDR3 Memory Configuration Tool: [www.hp.com/go/ddr3memory-configurator](http://www.hp.com/go/ddr3memory-configurator).



### Core Options

**NOTE:** Kits described as LP include Low Power DIMMs. For more information on ProLiant Energy Efficient Features, see:

<http://h18004.www1.hp.com/products/servers/platforms/energyefficient/>

**NOTE:** PC3L is a low voltage memory.

---

### HP Hard Drives

**NOTE:** Hard drives have either a one year or three year warranty; refer to the specific hard drive QuickSpecs for details.

#### Solid State Drives (SSD)

HP 120GB 3G SATA SFF (2.5-inch) Non-hot plug Midline 1yr Wty Solid State Drive 572077-B21

HP 60GB 3G SATA SFF (2.5-inch) Non-hot plug Midline 1yr Wty Solid State Drive 572075-B21

**NOTE:** Please see the QuickSpecs for Technical Specifications and additional information:

[http://h18000.www1.hp.com/products/quickspecs/13121\\_div/13121\\_div.html](http://h18000.www1.hp.com/products/quickspecs/13121_div/13121_div.html)



### Additional Options

#### HP Insight software

#### HP Insight Control

HP Insight Control including 1yr 24x7 Technical Support and Updates Electronic License T9074BAE

HP Insight Control including 1yr 24x7 Technical Support and Updates Single Server License 452148-B22

HP Insight Software Media Kit 436222-B21

**NOTE:** Insight Software DVD media without licenses. Contains Insight Control, Insight Dynamics and Virtual Connect Enterprise Manager. Uses an integrated installer to perform quick and accurate software installation and updates.

**NOTE:** Licenses ship without media. The HP Insight Control Media Kit can be ordered separately, or can be downloaded at: <http://www.hp.com/go/insightupdates>.

**NOTE:** Electronic licenses can be used to purchase multiple licenses with a single activation key, and is available in all countries except China and Japan. Customers in China and Japan should order the physical equivalent.

**NOTE:** Customer will receive a license entitlement certificate, which must be redeemed online or via fax in order to obtain the license activation key(s). Includes one year of 24 x 7 HP Software Technical Support & Update Service.

**NOTE:** For additional license kits, including bundles with HP BladeSystem enclosures, please see the Insight Control QuickSpecs at:

[http://h18004.www1.hp.com/products/quickspecs/12631\\_div/12631\\_div.html](http://h18004.www1.hp.com/products/quickspecs/12631_div/12631_div.html)

#### HP Insight Control for Linux

HP Insight Control for Linux including 1yr 24x7 Support Electronic License TC213AAE

HP Insight Control for Linux including 1yr 24x7 Support Single Server License TC209A

HP Insight Control for Linux Media Kit TC208A

**NOTE:** Licenses ship without media. The Media Kit for Insight Control for Linux can be ordered separately, or can be downloaded at: <http://www.hp.com/go/ic-linux> (click on Download button).

**NOTE:** Electronic licenses can be used to purchase multiple licenses with a single activation key, and are available in all countries except China and Japan. Customers in China and Japan should order the physical equivalent.

**NOTE:** Customer will receive a license entitlement certificate, which must be redeemed online or via fax in order to obtain the license activation key(s). Includes one year of 24 x 7 HP Software Technical Support Service.

**NOTE:** For additional License Kits, including electronic licensing options, please see the QuickSpecs at:

[http://h18000.www1.hp.com/products/quickspecs/13019\\_div/13019\\_div.html](http://h18000.www1.hp.com/products/quickspecs/13019_div/13019_div.html)

#### HP Integrated Lights-Out (iLO) Advanced for BladeSystem

HP iLO Advanced for BladeSystem including 1yr 24x7 Support Electronic License TA851AAE

HP iLO Advanced for BladeSystem including 1yr 24x7 Support Single Server License 512488-B21

**NOTE:** Licenses ship without media. The Media Kit for Insight Control for Linux can be ordered separately, or can be downloaded at: <http://www.hp.com/go/insightupdates>.

**NOTE:** Electronic licenses can be used to purchase multiple licenses with a single activation key, and is available in all countries except China and Japan. Customers in China and Japan should order the physical equivalent.

**NOTE:** Customer will receive a license entitlement certificate, which must be redeemed online or via fax in order to obtain the license activation key(s). Includes one year of 24 x 7 HP Software Technical Support Service



### Additional Options

**NOTE:** For additional license kits please see the HP Integrated Lights-Out QuickSpecs at: [http://h18000.www1.hp.com/products/quickspecs/12362\\_div/12362\\_div.html](http://h18000.www1.hp.com/products/quickspecs/12362_div/12362_div.html)

#### HP Insight Control server deployment

HP Insight Control Server Deployment including 1yr 24x7 Support Electronic License T9082AAE

HP Insight Control Server Deployment including 1yr 24x7 Support Single Server License 452151-B21

**NOTE:** Licenses ship without media. The Insight Control Media Kit can be ordered separately, or can be downloaded at: <http://www.hp.com/go/insightupdates>.

**NOTE:** Electronic licenses can be used to purchase multiple licenses with a single activation key, and is available in all countries except China and Japan. Customers in China and Japan should order the physical equivalent.

**NOTE:** Customer will receive a license entitlement certificate, which must be redeemed online or via fax in order to obtain the license activation key(s). Includes one year of 24 x 7 HP Software Technical Support Service.

**NOTE:** For additional license kits please see the Insight Control QuickSpecs at: [http://h18004.www1.hp.com/products/quickspecs/12631\\_div/12631\\_div.html](http://h18004.www1.hp.com/products/quickspecs/12631_div/12631_div.html)

### High Performance Clusters

#### HP Cluster Management Utility

HP Cluster Management Utility Compute Node Flexible License QL803A

**NOTE:** This part number can be used to purchase one certificate for multiple licenses with a single activation key. Each license is for one node (server). Customer will receive a printed end user license agreement and license entitlement certificate via physical shipment. The license entitlement certificate must be redeemed online in order to obtain a license key.

HP Cluster Management Utility License and Media 433257-B21

**NOTE:** Order a minimum of one license per cluster to purchase media including software and documentation, which will be delivered to the customer, and also licenses CMU management. No license key is delivered or required.

**NOTE:** For additional license kits please see the QuickSpecs at: [http://h18004.www1.hp.com/products/quickspecs/12612\\_div/12612\\_div.html](http://h18004.www1.hp.com/products/quickspecs/12612_div/12612_div.html)

#### HP HPC Linux Value Pack

HP High Performance Computing Linux Value Pack 1 Processor Flexible License TC293B

**NOTE:** This part number can be used to purchase one certificate for multiple licenses with a single activation key. Each license is for one socket (a.k.a. processor). Customer will receive a printed end user license agreement and license entitlement certificate via physical shipment. The license entitlement certificate must be redeemed online in order to obtain a license key.

HP High Performance Computing Linux Value Pack Media Kit TC294A

**NOTE:** This part number can be used to purchase media including software and documentation, which will be delivered to the customer.

**NOTE:** For additional license kits please see the QuickSpecs at: [http://h18004.www1.hp.com/products/quickspecs/13485\\_div/13485\\_div.html](http://h18004.www1.hp.com/products/quickspecs/13485_div/13485_div.html)

### HP Security - TPM

HP Trusted Platform Module Option 488069-B21



### Additional Options

HP Storage Controller	<b>HP Smart Array P700m Controller</b>	
	HP Smart Array P700m/512 4-ports Ext PCIe x8 SAS Controller	508226-B21
	HP Smart Array P700m/256 4-ports Ext PCIe x8 SAS Controller	507925-B21
	<b>NOTE:</b> Please see the QuickSpecs for Technical Specifications and additional configuration information at: <a href="http://h18000.www1.hp.com/products/quickspecs/13175_div/13175_div.html">http://h18000.www1.hp.com/products/quickspecs/13175_div/13175_div.html</a> (Worldwide)	
	<b>HP Smart Array P711m Controller</b>	
	HP Smart Array P711m/1G 6Gb FBWC 4-ports Ext Mezzanine SAS Controller	513778-B21
	<b>NOTE:</b> The P711m 1GB cache adds RAID 1+0 and 5.	
	<b>HP Smart Array P712m Controller</b>	
	HP Smart Array P712m/256 6Gb 2-ports Int/2-ports Ext Mezzanine SAS Controller	488348-B21
	HP Smart Array P712m/ZM 2-ports Int PCIe x8 SAS Controller	484299-B21
<b>NOTE:</b> Provides RAID support on internal non-hot plug SSDs.		
<b>NOTE:</b> Please see the QuickSpecs for Technical Specifications and additional configuration information at: <a href="http://h18000.www1.hp.com/products/quickspecs/13296_div/13296_div.html">http://h18000.www1.hp.com/products/quickspecs/13296_div/13296_div.html</a> (Worldwide)		
<b>Optional Upgrades</b>		
HP Smart Array P-Series Low Profile Battery	452348-B21	
<b>NOTE:</b> Supports HP Smart Array P700m Controller.		
HP 650 mAh P-series Low Profile Battery	575031-B21	
<b>NOTE:</b> Supports HP Smart Array P712m Controller.		
HP 256MB P-series Cache Upgrade	462968-B21	
<b>NOTE:</b> Supports HP Smart Array P712m Controller.		
HP Smart Array Advanced Pack including 1yr 24x7 Technical Support and Updates Single Server License	516471-B21	
<b>NOTE:</b> A license key, a minimum of 256MB cache, and battery kit is required to enable Smart Array Advanced Pack features. For more information go to: <a href="http://www.hp.com/go/saap">http://www.hp.com/go/saap</a> <b>NOTE:</b> Please see the QuickSpecs for Technical Specifications and additional information: <a href="http://h18000.www1.hp.com/products/quickspecs/13201_div/13201_div.html">http://h18000.www1.hp.com/products/quickspecs/13201_div/13201_div.html</a> (Worldwide)		
<hr/>		
HP I/O Expansion Options	HP 640GB MLC IO Accelerator for BladeSystem c-Class	BK836A
	HP 320GB MLC IO Accelerator for BladeSystem c-Class	AJ878B
	<b>NOTE:</b> Please see the QuickSpecs for Technical Specifications and additional information: <a href="http://h18000.www1.hp.com/products/quickspecs/13220_div/13220_div.html">http://h18000.www1.hp.com/products/quickspecs/13220_div/13220_div.html</a>	





### Additional Options

HP c-Class Mezzanine Options	HP 4X QDR QLogic InfiniBand Dual Port Mezzanine HCA for c-Class BladeSystem	583210-B21
	HP 4X QDR InfiniBand ConnectX-2 Dual Port Mezzanine HCA for c-Class BladeSystem	592519-B21
	<b>NOTE:</b> Please see the QuickSpecs for Technical Specifications and additional information: <a href="http://h18000.www1.hp.com/products/quickspecs/12586_div/12586_div.html">http://h18000.www1.hp.com/products/quickspecs/12586_div/12586_div.html</a>	
HP Ultrium Tape Blades	HP StorageWorks SB1760c Tape Blade	AQ697A
	<b>NOTE:</b> LTO-4 Ultrium tape technology.	
	<b>NOTE:</b> Please see the QuickSpecs for Technical Specifications and additional information: <a href="http://h18000.www1.hp.com/products/quickspecs/12729_div/12729_div.html">http://h18000.www1.hp.com/products/quickspecs/12729_div/12729_div.html</a>	
HP StorageWorks Storage Blades	HP StorageWorks LTO-5 SB3000c Tape Blade	BS580A
	HP StorageWorks D2200sb PCIe Storage Blade	AP880A
	<b>NOTE:</b> Please see the QuickSpecs for Technical Specifications and additional information: <a href="http://h18000.www1.hp.com/products/quickspecs/12729_div/12729_div.html">http://h18000.www1.hp.com/products/quickspecs/12729_div/12729_div.html</a>	
	<b>NOTE:</b> The HP PCI Express Mezzanine Pass-Thru Card (P/N 431643-B21) is required to support the HP StorageWorks D2200sb PCIe Storage Blade with the BL620c G7. Up to two storage blades are supported per server mix and match (Ultrium Tape, D2200sb PCIe Storage, and/or PCI Expansion Blades).	
	<b>NOTE:</b> The HP PCI Express Mezzanine Pass-Thru Card can be placed in mezzanine slot 2 and/or 3.	
	<b>NOTE:</b> Please see the HP StorageWorks D2200sb PCIe Storage Blade QuickSpecs for technical specifications and additional information at: <a href="http://h18006.www1.hp.com/storage/bladesystem/index.html">http://h18006.www1.hp.com/storage/bladesystem/index.html</a> .	
HP Expansion Blade	HP BLc PCI Expansion Blade	448018-B21
	<b>NOTE:</b> Ships with one pre-installed PCI-X connect board. Also includes one PCIe connect board which requires installation.	
	<b>NOTE:</b> Please see the QuickSpecs for Technical Specifications and additional configuration information: <a href="http://h18000.www1.hp.com/products/quickspecs/12753_div/12753_div.html">http://h18000.www1.hp.com/products/quickspecs/12753_div/12753_div.html</a>	



### Additional Options

HP USB and SD Options	HP USB 2-Button Optical Scroll Mouse	DC172B
	HP USB Standard Keyboard	DT528A#ABA
	HP 2GB USB Flash Media Drive Key	608447-B21
	<b>NOTE:</b> HP qualified blank USB key for use with HP ProLiant servers that support the VMware virtualization environment and other HP value-add software like SmartStart. HP recommends this industry standard USB flash device for use with VMware ESXi. USB device must be installed in the internal slot of the ProLiant server for use with VMware ESXi. Refer to <a href="#">HP VMware Getting Started Guide</a> for installation instructions.	
HP 4GB SD Flash Media		580387-B21
	<b>NOTE:</b> Blank SD media devices are supported for use with VMware and Citrix. SD media must be installed in the internal slot of the ProLiant server. Learn more at: <a href="http://www.hp.com/go/proliantvirtualization">http://www.hp.com/go/proliantvirtualization</a>	

### HP Care Pack Services

**NOTE:** The HP Care Pack service part numbers below for ProLiant BL c-Class server blades, cover the server blade and all HP branded hardware options qualified for the server, purchased at the same time or afterwards, internal to the server.

#### Hardware Services On-site Service

4-Hour On-site Service, 5-Day x 13-Hour Coverage, 3 Years, Electronic	UK065E
4-Hour On-site Service, 7-Day x 24-Hour Coverage, 3 Years, Electronic	UK066E
6-Hour Call to Repair, On-site Service, 7-Day x 24-Hour Coverage, 3 Years, Electronic	UK067E



### Memory

**NOTE:** Memory configurations listed do not apply to "Factory Integrated Models".

#### Memory Population Guidelines

For detailed memory configuration rules and guidelines, please use the Online DDR3 Memory Configuration Tool:

[www.hp.com/go/ddr3memory-configurator](http://www.hp.com/go/ddr3memory-configurator)

Some DIMM installation guidelines are summarized below;

- For the BL490c G7 server with eighteen (18) memory slots:
  - There are three (3) channels per processor; six (6) channels per server
  - There are three (3) DIMM slots for each memory channel; eighteen (18) total slots
  - Memory channel 1 consists of the three (3) DIMMs that are closest to the processor
  - Memory channel 3 consists of the three (3) DIMMs that are furthest from the processor
- DIMM slots that are white should be populated first
- Do not mix Unbuffered memory (UDIMMs) with Registered memory (RDIMMs)
- Do not install DIMMs if the corresponding processor is not installed
- If only one processor is installed in a 2CPU system, only half of the DIMM slots are available
- To maximize performance, balance the total memory capacity between all installed processors
- It is not required, but it is recommended to load the channels similarly if possible
- If any Quad rank DIMMs are installed, all channels are limited to only 2 DIMMs per channel
- You can only install two quad-rank DIMMs per channel
- You can only install two UDIMMs per channel; the third slot in the channel must remain empty
- Populate DIMMs from heaviest load (quad-rank) to lightest load (single-rank) within a channel
- Heaviest load (DIMM with most ranks) within a channel goes furthest from the processor
- For memory mirroring mode, channel 3 must be unpopulated. Channels 1 and 2 are populated identically
- For lock-step mode, channel 3 must be unpopulated. DIMMs in channels 1 and 2 will be installed in pairs. The paired slots will be 1,4; 2,5; 3,6 on a 3DPC system or 1,4; 2,5; on a 2DPC system
- Low Voltage DIMMs can only be used with Intel Xeon 5600 series processors.
- If mixing DIMM voltage is a requirement, please note that the DIMMs will run at 1.5V since all 1.35V are capable of supporting 1.5V operations

DIMM slot/capacity/populated speed table												
DIMM Type	Registered DIMMS (RDIMMs)									Unbuffered with ECC DIMMs (UDIMMs)		
DIMM Rank	Single Rank (1R)	Dual Rank (2R)					Quad Rank (4R)			Single Rank (1R)	Dual Rank (2R)	
DIMM Capacity	4GB	2GB	4GB	8GB	8GB	16GB	4GB	16GB	32GB	1GB	2GB	4GB
DIMM Native Speed (MHz)	1333	1333	1333	1066	1333	1333	1066	1066	1066	1333	1333	1333
DIMM Voltage	LV/Std	Std	Std	Std	LV/Std	LV	Std	Std	LV	Std	Std	Std
<b>SLOTS THAT CAN BE POPULATED</b>												
18 slot servers	18	18	18	18	18	18	12	12	12	12	12	12
<b>MAXIMUM CAPACITY (GB)</b>												
	72	36	72	144	144	288	48	192	384	12	24	48
<b>POPULATED DIMM SPEED (MHz)</b>												



### Memory

1 DIMM Per Channel	1333	1333	1333	1066	1333	1333	1066	1066	1066	1333	1333	1333
2 DIMM Per Channel	1333	1333	1333	1066	1333	1333	800	800	800	1066	1066	1066
3 DIMM Per Channel	800	800	800	800	800	800	n/a	n/a	n/a	n/a	n/a	n/a

#### NOTES:

- PC3-10600 DIMMs have a maximum speed of 1333MHz. PC3-8500 DIMMs have a maximum speed of 1066MHz
- Mixing DIMM speeds is allowed, but the system processor speed rules always override the DIMM capabilities
- If you do mix DIMM speeds, the memory bus will default to the minimum clock rate of all DIMMs in the system - even if the slower DIMM is on the other processor
- If you install 1x 1066MHz DIMM in channel 1 and 1x 1333MHz DIMM in channel 2, the maximum speed will be 1066MHz
- If you install 1x 1066MHz DIMM in channel 1 and 5x 1333MHz DIMMs with 1 DIMM Per Channel (DPC) in each of the other channels, the maximum speed will be 1066MHz
- If you install 3DPC in one channel (if applicable) and 1DPC in all other channels, you run at 800MHz
- Maximum memory speed will also depend on the processor installed
- References to the above MHz speeds are for the various speeds of DDR3 DIMMs; 1333 refers to DDR3-1333, etc

### HP ProLiant BL490c G7 Server Blade DIMM slot and configuration diagrams

#### Basic memory slot & population diagram

- Population order; start with "A" first, "B" second, "C" third, etc.

18 DIMM SLOTS (9 per CPU node)					
	CPU1		CPU2		
	slot #	population order	slot #	population order	
Chnl 1	1	G	1	G	Chnl 1
	2	D	2	D	
	3	A	3	A	
Chnl 2	4	H	4	H	Chnl 2
	5	E	5	E	
	6	B	6	B	
Chnl 3	7	I	7	I	Chnl 3
	8	F	8	F	
	9	C	9	C	

### HP ProLiant BL490c G7 Server Blade (1P Model)

#### Standard memory configuration (1 CPU model)

- 6GB (3 x 2GB) of PC3-10600 (DDR3-1333) RDIMMs



### Memory

	CPU1		CPU2		
	slot #	population order	slot #	population order	
Chnl 1	1	G: empty	1	G: empty	Chnl 1
	2	D: empty	2	D: empty	
	3	A: 2GB DIMM	3	A: empty	
Chnl 2	4	H: empty	4	H: empty	Chnl 2
	5	E: empty	5	E: empty	
	6	B: 2GB DIMM	6	B: empty	
Chnl 3	7	I: empty	7	I: empty	Chnl 3
	8	F: empty	8	F: empty	
	9	C: 2GB DIMM	9	C: empty	

#### Standard memory plus optional memory (1 CPU model)

- 54GB, consisting of three (3) 2GB RDIMMs plus six (6) 8GB RDIMMs
  - 3x 2GB dual-rank PC3-10600 RDIMMs
  - 6x 8GB dual-rank PC3-8500 RDIMMs

	CPU1		CPU2		
	slot #	population order	slot #	population order	
Chnl 1	1	G: 8GB DIMM	1	G: empty	Chnl 1
	2	D: 8GB DIMM	2	D: empty	
	3	A: 2GB DIMM	3	A: empty	
Chnl 2	4	H: 8GB DIMM	4	H: empty	Chnl 2
	5	E: 8GB DIMM	5	E: empty	
	6	B: 2GB DIMM	6	B: empty	
Chnl 3	7	I: 8GB DIMM	7	I: empty	Chnl 3
	8	F: 8GB DIMM	8	F: empty	
	9	C: 2GB DIMM	9	C: empty	

#### Standard Memory Replaced with Optional Memory (1 CPU model) RDIMM maximum configuration

- 96GB, consisting of nine (9) 16GB quad-rank PC3-8500 RDIMMs



### Memory

	CPU1		CPU2		
	slot #	population order	slot #	population order	
Chnl 1	1	G: empty	1	G: empty	Chnl 1
	2	D: 16GB DIMM	2	D: empty	
	3	A: 16GB DIMM	3	A: empty	
Chnl 2	4	H: empty	4	H: empty	Chnl 2
	5	E: 16GB DIMM	5	E: empty	
	6	B: 16GB DIMM	6	B: empty	
Chnl 3	7	I: empty	7	I: empty	Chnl 3
	8	F: 16GB DIMM	8	F: empty	
	9	C: 16GB DIMM	9	C: empty	

### UDIMM maximum configuration (1 CPU model)

- 24GB, consisting of six (6) 4GB dual-rank PC3-10600 UDIMMs

	CPU1		CPU2		
	slot #	population order	slot #	population order	
Chnl 1	1	G: empty	1	G: empty	Chnl 1
	2	D: 4GB DIMM	2	D: empty	
	3	A: 4GB DIMM	3	A: empty	
Chnl 2	4	H: empty	4	H: empty	Chnl 2
	5	E: 4GB DIMM	5	E: empty	
	6	B: 4GB DIMM	6	B: empty	
Chnl 3	7	I: empty	7	I: empty	Chnl 3
	8	F: 4GB DIMM	8	F: empty	
	9	C: 4GB DIMM	9	C: empty	

### Standard Memory Replaced with Optional Memory (2 CPU Model)

#### RDIMM maximum configuration

- 384GB, consisting of twelve (12) 32GB quad-rank PC3L-8500 RDIMMs



### Memory

	CPU1		CPU2		
	slot #	population order	slot #	population order	
Chnl 1	1	G: empty	1	G: empty	Chnl 1
	2	D: 32GB DIMM	2	D: 32GB DIMM	
	3	A: 32GB DIMM	3	A: 32GB DIMM	
Chnl 2	4	H: empty	4	H: empty	Chnl 2
	5	E: 32GB DIMM	5	E: 32GB DIMM	
	6	B: 32GB DIMM	6	B: 32GB DIMM	
Chnl 3	7	I: empty	7	I: empty	Chnl 3
	8	F: 32GB DIMM	8	F: 32GB DIMM	
	9	C: 32GB DIMM	9	C: 32GB DIMM	

### UDIMM maximum configuration (2 CPU model)

- 48GB, consisting of twelve (12) 4GB dual-rank PC3-10600 UDIMMs

	CPU1		CPU2		
	slot #	population order	slot #	population order	
Chnl 1	1	G: empty	1	G: empty	Chnl 1
	2	D: 4GB DIMM	2	D: 4GB DIMM	
	3	A: 4GB DIMM	3	A: 4GB DIMM	
Chnl 2	4	H: empty	4	H: empty	Chnl 2
	5	E: 4GB DIMM	5	E: 4GB DIMM	
	6	B: 4GB DIMM	6	B: 4GB DIMM	
Chnl 3	7	I: empty	7	I: empty	Chnl 3
	8	F: 4GB DIMM	8	F: 4GB DIMM	
	9	C: 4GB DIMM	9	C: 4GB DIMM	

**NOTE:** Capacity references are rounded to the common Gigabyte values.

- 1GB = 1024MB
- 2GB = 2048MB
- 4GB = 4096MB
- 8GB = 8192MB
- 16GB = 16384MB
- 32GB = 32768MB



### Memory

Following are memory options available from HP:

#### HP Memory

##### Registered DIMMs (RDIMMs)

HP 2GB (1x2GB) Dual Rank x8 PC3-10600 (DDR3-1333) Registered CAS-9 Memory Kit 500656-B21

HP 4GB (1x4GB) Dual Rank x4 PC3-10600 (DDR3-1333) Registered CAS-9 Memory Kit 500658-B21

HP 4GB (1x4GB) Single Rank x4 PC3-10600 (DDR3-1333) Registered CAS-9 Memory Kit 593339-B21

HP 4GB (1x4GB) Single Rank x4 PC3L-10600 (DDR3-1333) Registered CAS-9 Low Power Memory Kit 604504-B21

**NOTE:** Low Voltage DIMMs can only be used with Intel Xeon 5600 series processors.

HP 8GB (1x8GB) Dual Rank x4 PC3-10600 (DDR3-1333) Registered CAS-9 Memory Kit 500662-B21

HP 8GB (1x8GB) Dual Rank x4 PC3L-10600 (DDR3-1333) Registered CAS-9 Low Power Memory Kit 604506-B21

**NOTE:** Low Voltage DIMMs can only be used with Intel Xeon 5600 series processors.

HP 16GB (1x16GB) Dual Rank x4 PC3L-10600 (DDR3-1333) Registered CAS-9 LP Memory Kit 627812-B21

HP 16GB (1x16GB) Quad Rank x4 PC3-8500 (DDR3-1066) Registered CAS-7 Memory Kit 500666-B21

HP 32GB (1x32GB) Quad Rank x4 PC3L-8500 (DDR3-1066) Registered CAS-7 LP Memory Kit 627814-B21

##### Unbuffered with ECC (UDIMMs)

HP 1GB (1x1GB) Single Rank x8 PC3-10600 (DDR3-1333) Unbuffered CAS-9 Memory Kit 500668-B21

HP 2GB (1x2GB) Dual Rank x8 PC3-10600 (DDR3-1333) Unbuffered CAS-9 Memory Kit 500670-B21

HP 4GB (1x4GB) Dual Rank x8 PC3-10600 (DDR3-1333) Unbuffered CAS-9 Memory Kit 500672-B21

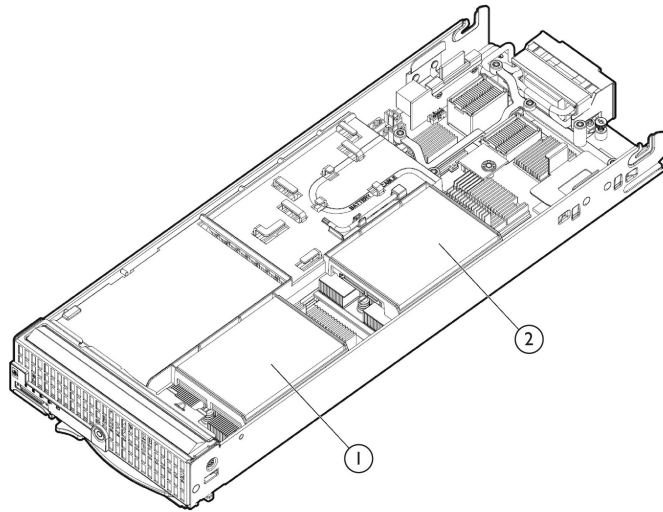
**NOTE:** All DDR3 memory option kits consist of one DIMM per kit. For detailed memory configuration rules and guidelines, please use the Online DDR3 Memory Configuration Tool: [www.hp.com/go/ddr3memory-configurator](http://www.hp.com/go/ddr3memory-configurator).

**NOTE:** PC3L is a low voltage memory.





### Storage



1 Non Hot Plug Solid State Drive (SSD) Bay 1

2 Non Hot Plug Solid State Drive (SSD) Bay 2

#### Hard Drives

**NOTE:** Hard drives have either a one year or three year warranty; refer to the specific hard drive QuickSpecs for details.

#### SATA Non-Hot Plug Solid State Drives

	Quantity Supported	Position Supported	Controller
120GB 3G SATA SSD	2	1-2	HP Integrated SATA Controller HP Smart Array P712m Controller
60GB 3G SATA SSD	2	1-2	HP Integrated SATA Controller HP Smart Array P712m Controller

#### External Storage

	Quantity Supported	Position Supported	Host Controller or Adapter
XP Disk Array Systems	Please see the <a href="#">XP Disk Array Systems QuickSpecs</a> below to determine configuration requirements	External	Please see the XP Disk Array Systems Quick Specs for the latest list of supported HBAs

HP StorageWorks XP10000 Disk Array:

<http://h18006.www1.hp.com/products/storageworks/xp10000/index.html> (Worldwide)

Enterprise Virtual Array Systems	Please see the <a href="#">XP Disk Array Systems QuickSpecs</a> below to	External	Please see the XP Disk Array Systems Quick Specs for the latest list of supported HBAs
----------------------------------	--	----------	--



## Storage

determine  
configuration  
requirements

HP StorageWorks Enterprise Virtual Array Family:

[http://h18006.www1.hp.com/products/quickspecs/12408\\_div/12408\\_div.html](http://h18006.www1.hp.com/products/quickspecs/12408_div/12408_div.html) (Worldwide)



### Technical Specifications

<b>System Unit</b>	<b>Dimensions</b> (H x W x D) (with bezel)	7.154 x 2.19 x 20.058 in (18.17 x 5.56 x 50.95 cm)	
	<b>Weight</b> (approximate)	Maximum (all hard drives and processors installed)	14.20 lb (6.44 kg)
		Minimum (one hard drive and processor installed)	10.75 lb (4.87 kg)
	<b>Power Specifications</b>	For power specifications including Input Requirements, BTU Rating, and Power Supply Output, please see the HP BladeSystem c-Class Enclosures QuickSpecs located at URL: HP BladeSystem c3000 Enclosure QuickSpecs: <a href="http://h18000.www1.hp.com/products/quickspecs/12790_div/12790_div.html">http://h18000.www1.hp.com/products/quickspecs/12790_div/12790_div.html</a> HP BladeSystem c7000 Enclosure QuickSpecs: <a href="http://h18000.www1.hp.com/products/quickspecs/12810_div/12810_div.html">http://h18000.www1.hp.com/products/quickspecs/12810_div/12810_div.html</a>	
		To review typical system power ratings use the HP BladeSystem Power Sizer which is available via the online tool located at URL: <a href="http://www.hp.com/go/bladeSystem/powercalculator">http://www.hp.com/go/bladeSystem/powercalculator</a>	
		<b>NOTE:</b> For optimal cooling and system performance the BL490c G7 requires the c7000 enclosure to be configured with 10 fans and the c3000 enclosure to be configured with 6 fans.	
	<b>System Inlet Temperature</b>	Operating	10° to 35°C (50° to 95°F) at sea level with an altitude derating of 1.0°C per every 305 m (1.8°F per every 1000 ft) above sea level to a maximum of 3050 m (10,000 ft), no direct sustained sunlight. Maximum rate of change is 10°C/hr (18°F/hr). The upper limit may be limited by the type and number of options installed.
		Non-operating	System performance may be reduced if operating with a fan fault or above 30°C (86°F). -30° to 60°C (-22° to 140°F). Maximum rate of change is 20°C/hr (36°F/hr).
	<b>Relative Humidity</b> (non-condensing)	Operating	10 to 90% relative humidity (Rh), 28°C (82.4°F) maximum wet bulb temperature, non-condensing.
		Non-operating	5 to 95% relative humidity (Rh), 38.7°C (101.7°F) maximum wet bulb temperature, non-condensing.
	<b>Altitude</b>	Operating	3050 m (10,000 ft). This value may be limited by the type and number of options installed. Maximum allowable altitude change rate is 457 m/min (1500 ft/min).



### Technical Specifications

Non-operating 9144 m (30,000 ft). Maximum allowable altitude change rate is 457 m/min (1500 ft/min).

#### Acoustic Noise

For acoustic noise specifications, please see the HP BladeSystem c-Class Enclosures QuickSpecs located at URL:

HP BladeSystem c3000 Enclosure QuickSpecs:

[http://h18000.www1.hp.com/products/quickspecs/12790\\_div/12790\\_div.html](http://h18000.www1.hp.com/products/quickspecs/12790_div/12790_div.html)

HP BladeSystem c7000 Enclosure QuickSpecs:

[http://h18000.www1.hp.com/products/quickspecs/12810\\_div/12810\\_div.html](http://h18000.www1.hp.com/products/quickspecs/12810_div/12810_div.html)

#### HP Integrated Lights-Out 3 (iLO 3) integrated on system board

##### Architecture

PCI Express based health and remote management ASIC

##### Processor

PCI Express RISC processor core running at 250MHz

##### Upgradeability

Option firmware upgradeable via Flash ROM

##### Video Support

1600 x 1200 DVR max resolution

##### Interfaces

One Ethernet network connection (10/100Mb/s)

##### Memory

128-MB DDR with ECC

##### Operating System Support

Microsoft Windows 2008 R2

Microsoft Windows 2008 (32 bit and 64 bit)

Microsoft Windows Server 2008 Standard Edition (32bit and 64bit)

Microsoft Windows Server 2008 Enterprise Edition (32bit and 64bit)

Red Hat Enterprise Linux 5.4 (32 bit and 64 bit)

SUSE LINUX Enterprise Server 11 (32bit and 64bit)

SUSE LINUX Enterprise Server 10 (32bit and 64bit)

VMware ESX 4.0

VMware ESX 3.5.0

##### Client System Support

Microsoft Windows 7

Microsoft Windows XP Professional Edition

Microsoft Windows Vista Business and Ultimate Editions

Red Hat Enterprise Desktop 5.00

SUSE Linux Enterprise Desktop 11

SUSE Linux Enterprise Desktop 10

##### Client Browser Support

Microsoft Internet Explorer 8

Microsoft Internet Explorer 7

Microsoft Internet Explorer 6

Firefox 3.5 (on supported Windows and Linux systems)

Firefox 3.0 (on supported Windows and Linux systems)

##### Command Line Support

Secure Shell and serial port access

Secure Socket Layer

Secure Shell version 2



### Technical Specifications

<b>Security</b>	Advanced Encryption Standard (AES) and Triple Data Encryption Standard (3DES) on browser, CLP and XML scripting interface AES encryption of video RC4 encryption of video
<b>Directory Support Services</b>	Active Directory v1.0 (Windows 2003)
<b>Driver Support</b>	HP ProLiant iLO3 Management Controller Driver Package
<b>Management protocols supported</b>	SNMP, IPMI 2.0 (system and LAN interface), DMTF Systems Management Architecture for Server Hardware Command Line Protocol (SMASH CLP), HP RIBCL XML

---

<b>Embedded HP NC553i Dual Port FlexFabric 10Gb Adapter</b>	<b>Type</b>	Integrated dual-port KR 10GbE with FlexFabric (FCoE or iSCSI) capability
	<b>Network Processor</b>	ServerEngines BE3
	<b>Data Transfer Method</b>	x8 PCI Express 2.0
	<b>Network Transfer Rate</b>	Two ports at 20 Gbps full duplex; 40 Gbps aggregate full duplex theoretical bandwidth <b>NOTE:</b> Each port is autosensing 1 Gb / 10 Gb, and can interoperate with 1 Gb HP BladeSystem c-Class interconnect components. Both ports will operate at the same speed. <b>NOTE:</b> Each port on the NC553i adapter transmits from the server at 20 Gbps (theoretical) full duplex.
	<b>IEEE Compliance</b>	802.1p QoS, 802.1Q VLAN tagging, 802.3ad link aggregation, 802.3ap 10GBase-KR, and 802.3x flow control
<b>Standard Features</b>	<ul style="list-style-type: none"><li>● ProLiant Teaming including Network Fault Tolerance, Transmit Load Balancing, and Switch-Assisted Load Balancing</li><li>● 9K Jumbo frames (4K Jumbo frames when in FCoE mode)</li><li>● Microsoft Windows Receive Side Scaling (RSS)</li><li>● Optional accelerated iSCSI</li></ul>	

---

<b>Environment-friendly Products and Approach</b>	<b>End-of-life Management and Recycling</b>	Hewlett-Packard offers end-of-life HP product return, trade-in, and recycling programs in many geographic areas. For trade-in information, please go to: <a href="http://www.hp.com/go/green">http://www.hp.com/go/green</a> . To recycle your product, please go to: <a href="http://www.hp.com/go/green">http://www.hp.com/go/green</a> or contact your nearest HP sales office. Products returned to HP will be recycled, recovered or disposed of in a responsible manner.
---	---	--

The EU WEEE directive (2002/95/EC) requires manufacturers to provide treatment information for each product type for use by treatment facilities. This information (product disassembly instructions) is posted on the Hewlett Packard web site at: <http://www.hp.com/go/green>. These instructions may be used by recyclers and other WEEE treatment facilities as well as HP OEM customers who integrate and re-sell HP equipment.



### *Technical Specifications*

© Copyright 2011 Hewlett-Packard Development Company, L.P.

The information contained herein is subject to change without notice.

Microsoft and Windows NT are US registered trademarks of Microsoft Corporation. Intel, the Intel logo, Xeon and Xeon Inside are trademarks of Intel Corporation in the U.S. and other countries.

The only warranties for HP products and services are set forth in the express warranty statements accompanying such products and services. Nothing herein should be construed as constituting an additional warranty. HP shall not be liable for technical or editorial errors or omissions contained herein.

For hard drives, 1GB = 1 billion bytes. Actual formatted capacity is less.

