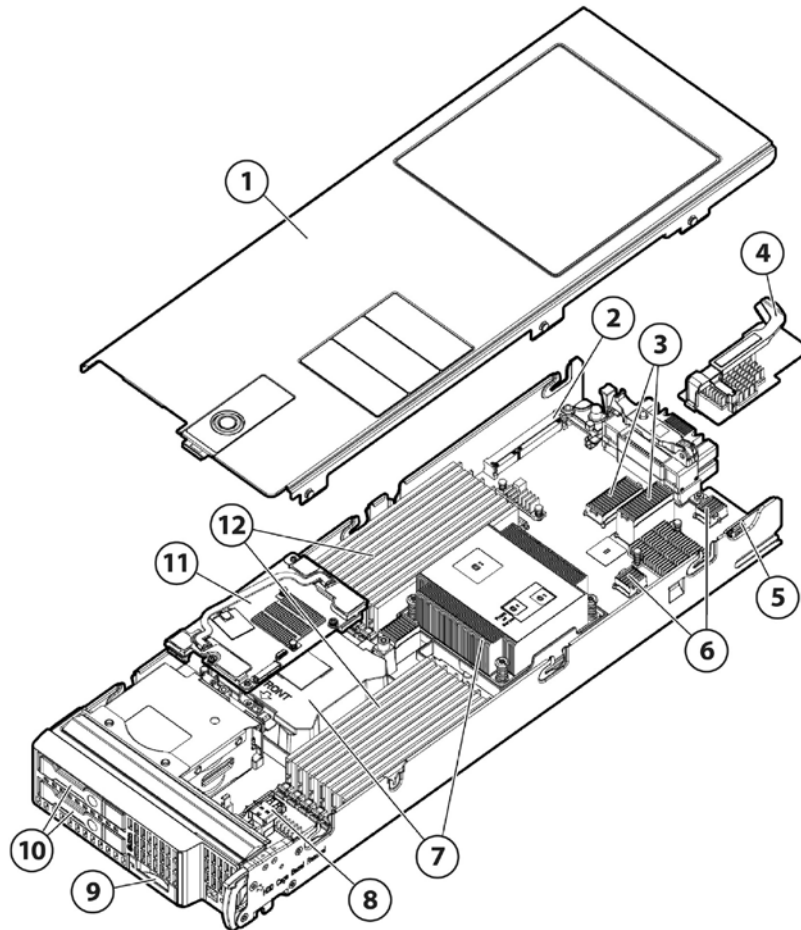


Overview

HPE ProLiant BL420c Gen8 Server Blade

Redefining the term "entry-level" in the blade market, the BL420c Gen8 provides breakthrough server blade economics for essential enterprise workloads.



1. Access panel
2. Cache module connector
3. Two (2) PCIe 3.0 mezzanine I/O expansion slots
4. FlexibleLOM Adapter
5. MicroSDHC card connector
6. FlexibleLOM connectors (2) supporting one (1) FlexibleLOM Adapter
7. Up to two (2) Intel® Xeon® E5-2400v2 or E5-2400 series processors
8. Internal USB 2.0 connector and Trusted Platform Module (TPM) connectors
9. HPE c-Class Blade SUV (Serial, USB, VGA) connector
10. Two (2) small form factor (SFF) hot-plug drive bays
11. SAS controller
12. Twelve (12) DDR3 DIMM memory slots (6 per processor)

What's New

- Support for HPE 1.6TB and 800GB 12G SAS Value Endurance SFF 2.5in SC Enterprise Value Solid State Drives

QuickSpecs

Standard Features

NOTE: This document covers the HPE ProLiant BL420c Gen8 server blade only. For information on HPE BladeSystems c-Class Platinum Enclosures and HPE BladeSystem c-Class Interconnect and Mezzanine Components, please see the following:

HPE BladeSystem c-Class Enclosures QuickSpecs:

- HPE BladeSystem c3000 Enclosure QuickSpecs at http://h18000.www1.hp.com/products/QuickSpecs/12790_na/12790_na.html
NOTE: The c3000 HPE c-Class enclosures have full backwards and forwards compatibility, existing server blades are supported in the new enclosures and any future server blades will be supported in the existing enclosures.
- HPE BladeSystem c7000 Enclosure QuickSpecs at http://h18000.www1.hp.com/products/QuickSpecs/12810_na/12810_na.html
NOTE: The c7000 HPE c-Class enclosures have full backwards and forwards compatibility, existing server blades are supported in the new enclosures and any future server blades will be supported in the existing enclosures.
- HPE BladeSystem c-Class Interconnect and Mezzanine Components at <http://h18004.www1.hp.com/products/blades/components/c-class-interconnects.html>
<http://h18004.www1.hp.com/products/blades/components/c-class-adapters.html>

NOTE: For proper BladeSystem operation, the minimum required versions of HPE Onboard Administrator and HPE Virtual Connect are required and available via the HPE Service Pack for ProLiant, please see <http://www.hp.com/go/spp/download>.

NOTE: For optimal cooling and system performance the BL420c Gen8 requires the c7000 enclosure to be configured with 10 fans and the c3000 enclosure to be configured with 6 fans.

NOTE: For the Standard Features shipped in the "Factory Integrated Models", please see the "Configuration Information - Factory Integrated Models" section.

Processor	E5-2400 v2 series Processors
One of the following depending on Model	Intel® Xeon® E5-2470v2 (2.4GHz/10-core/25MB/95W) Processor
	Intel® Xeon® E5-2450v2 (2.5GHz/8-core/20MB/95W) Processor
	Intel® Xeon® E5-2440v2 (1.9GHz/8-core/20MB/95W) Processor
	Intel® Xeon® E5-2430v2 (2.5GHz/6-core/15MB/80W) Processor
	Intel® Xeon® E5-2420v2 (2.2GHz/6-core/15MB/80W) Processor
	Intel® Xeon® E5-2407v2 (2.4GHz/4-core/10MB/80W) Processor
	Intel® Xeon® E5-2403v2 (1.8GHz/4-core/10MB/80W) Processor
	Intel® Xeon® E5-2450Lv2 (1.7GHz/10-core/25MB/60W) Processor
	Intel® Xeon® E5-2430Lv2 (2.4GHz/6-core/15MB/60W) Processor
	E5-2400 series Processors
Intel® Xeon® E5-2470 (2.3GHz/8-core/20MB/95W) Processor	
Intel® Xeon® E5-2450 (2.1GHz/8-core/20MB/95W) Processor	
Intel® Xeon® E5-2450L (1.8GHz/8-core/20MB/70W) Processor	
Intel® Xeon® E5-2440 (2.4GHz/6-core/15MB/95W) Processor	
Intel® Xeon® E5-2430 (2.2GHz/6-core/15MB/95W) Processor	
Intel® Xeon® E5-2430L (2.0GHz/6-core/15MB/60W) Processor	
Intel® Xeon® E5-2420 (1.9GHz/6-core/15MB/95W) Processor	
Intel® Xeon® E5-2407 (2.2GHz/4-core/10MB/80W) Processor	
Intel® Xeon® E5-2403 (1.8GHz/4-core/10MB/80W) Processor	

QuickSpecs

Standard Features

NOTE: In a 2 processor configuration, there are twelve (12) total available DIMM slots.

NOTE: DDR3 speed is the maximum memory speed of the processor. Actual memory speed may depend on the quantity and type of DIMMs installed.

NOTE: The BL420c Gen8 supports one or two processors.

NOTE: The BL420c Gen8 includes two I/O mezzanine expansion slots. A processor must be installed in processor slot 1 for access to the first mezzanine expansion slot (expansion slot 1). A processor must be installed in processor slot 2 for access to the second mezzanine expansion slot (expansion slot 2).

NOTE: All processors within the server must be identical. Mixing different processor models is not supported.

NOTE: All processors support Intel® Hyper-Threading and Intel® Turbo Boost Technologies except the E5-2403 and E5-2407.

NOTE: The letter "L" following the model number indicates denotes lower wattage.

NOTE: The processor model as well as the memory configuration determines the maximum speed memory can operate. Please see the see the "Memory" section later in this document.

Cache Memory	25MB shared L3 cache
One of the following	NOTE: For Ten-core processors.
depending on Model	20MB shared L3 cache
	NOTE: For Eight-core processors.
	15MB shared L3 cache
	NOTE: For Six-core processors.
	10MB shared L3 cache
	NOTE: For Quad-core processors.

Chipset	Intel® C600 Series Chipset
	Intel® E5-2400 Processor Family
	NOTE: For more information regarding Intel chipsets, please see the following: http://www.intel.com/products/server/chipsets/ .

Upgradeability	Upgradeable to two (2) processors
	NOTE: Processor upgrade available from Intel® Xeon® Processors E5-2400 to E5-2400 v2. Please contact Hewlett Packard Enterprise Technology Sales (http://www.hp.com/support), your local Hewlett Packard Enterprise Re-seller, or reference the following Customer Advisory: <u>ProLiant Servers- Instructions for Upgrading an HPE ProLiant Gen8 Server from an Intel Xeon Processor E5-2400 to an Intel Xeon Processor E5-2400v2</u> , regarding critical details before upgrading. An explanation of requirements and limitations are provided.

On System Management Chipset	HPE iLO (Firmware: HPE iLO 4)
	NOTE: For more information, visit: http://www.hp.com/go/ilo

Memory Protection	Advanced ECC
	Memory Online Spare Mode (Rank Spare Mode)
	Memory Lockstep Mode

Memory	Type	HPE SmartMemory
One of the following		DDR3 Load Reduced (LRDIMM), Registered (RDIMM), or Unbuffered ECC (UDIMM)
depending on Model	Standard (Pre-	12GB (3 x 4GB) DDR3 1333MHz RDIMMs at 1.35V

QuickSpecs

Standard Features

configured Models)	24GB (6 x 4GB) DDR3 1600MHz RDIMMs at 1.5V
Maximum (LRDIMM)	384GB (12 x 32GB) up to 1600MHz at 1.5V
Maximum (RDIMM)	192GB (12 x 16GB) up to 1600MHz at 1.5V 192GB (12 x 16GB) up to 1333MHz at 1.35V
Maximum (UDIMM)	96GB (12 x 8GB) up to 1600MHz at 1.5V 96GB (12 x 8GB) up to 1333MHz at 1.35V

NOTE: HPE memory from previous generation servers are not qualified or warranted with this server. HPE SmartMemory is required to realize the memory performance improvements and enhanced functionality listed in this document for Gen8. For additional information, please see the HPE SmartMemory QuickSpecs at:

http://h18000.www1.hp.com/products/QuickSpecs/14225_na/14225_na.html

NOTE: LRDIMM, RDIMM and UDIMMs are all distinct memory technologies and cannot be mixed within a server. The majority of ProLiant Gen8 servers support RDIMM, UDIMM and LRDIMM.

NOTE: The Intel Xeon E5-2400 Processor Family cannot be configured with the new 1866MHz HPE Smart Memory or the new 1600MHz Low Voltage (1.35v) HPE Smart Memory.

NOTE: Depending on the memory configuration and processor model, 1866MHz, 1600MHz and 1333MHz memory may operate at a lower speed. Please see the see the "Memory" section later in this document and the Online Memory Configuration Tool for details at: www.hp.com/go/ddr3memory-configurator.

NOTE: The Intel Xeon E5-2400v2 processor architecture supports memory speeds up to 1600MHz. 1866MHz HPE Smart Memory will run at 1600MHz.

Network Controller **NOTE:** Supports one of the following FlexibleLOMs and iLO Management.

One of the following depending on Model

One (1) HPE FlexFabric 10Gb 2-port 554FLB FlexibleLOM

NOTE: Supports FCoE, Flex-10, TCP/IP offload engine, hardware-based accelerated iSCSI, iSCSI boot, and autosensing 10Gb/1Gb Ethernet.

NOTE: Each port is autosensing 1Gb/10Gb, and can interoperate with 1Gb HPE BladeSystem c-Class interconnect components. Both ports will operate at the same speed.

NOTE: FlexFabric capabilities require the use of an HPE Virtual Connect FlexFabric module. Fibre Channel over Ethernet (FCoE) is supported with the HPE 10GbE Pass-Thru Module, HPE 6120XG Blade Switch with the CEE license installed, HPE Cisco B22HPE Fabric Extender and HPE Cisco B22HPE Fabric Extender with 16 FET for BladeSystem c-Class. Learn more at <http://www.hp.com/go/virtualconnect>.

One (1) HPE Flex-10 10Gb 2-port 530FLB FlexibleLOM

One (1) HPE Ethernet 10Gb 2-port 560FLB FlexibleLOM

One (1) HPE Ethernet 1Gb 2-port 361FLB FlexibleLOM

NOTE: FlexibleLOMs are not compatible with prior generation c-Class server blades

Standard iLO Network Controller:

One (1) 10/100 Mbps port for the HPE iLO 4 On System Management Chipset

One (1) 10/100 Mbps port for the HPE iLO 4 to Onboard Administrator link. The Onboard Administrator (with 10/100/1000 Mbps) to BladeSystem link is 1Gbps.

Expansion Slots

Two (2) I/O expansion mezzanine slots:

- x8 PCIe 3.0 Type A (supports Type A mezzanine cards) (expansion slot 1).

NOTE: This expansion slot supports dual-port mezzanine cards: one port is routed to interconnect module bay 3 and the other to bay 4.

- x16 PCIe 3.0 Type B (supports Type A and Type B mezzanine cards) (expansion slot 2).

NOTE: This expansion slot supports dual-port and quad-port mezzanine cards. For dual-port cards, one port is routed to interconnect module bay 5 and the other to bay 6. For quad-port cards, one port is routed to interconnect module bay 5, one to bay 6, one to bay 7, and one to

Standard Features

bay 8.

NOTE: A second processor must be installed (in processor slot 2) to have access to the second expansion slot (expansion slot 2).

Mezzanine card options include:

- Dual-port 10Gb FlexFabric, 10Gb Flex-10, 10GbE options, and quad-port 1Gb Ethernet server adapter mezzanine options for additional network ports
- Dual-port 8Gb Fibre Channel HBA for SAN connectivity
- QDR and FDR InfiniBand for low latency and high bandwidth server interconnectivity
- I/O accelerator mezzanine options for high transaction rate local storage

HPE Server ROM

HPE ROM (read only memory) is now digitally signed using Hewlett Packard Enterprise's Corporate Signing Service. This signature is verified before the flash process starts, reducing accidental programming and preventing malicious efforts to corrupt system ROM. HPE ROM provides for essential initialization and validation of hardware components before control is passed to the customer-installed operating system. The ROM also provides the capability of booting from various fixed media (HDD, CD-ROM) and removable media (USB), to continue operation to the operating system. HPE ROM performs very early configuration of the video controller, to allow monitoring of initialization progress via an attached monitor. If configuration or hardware errors are discovered during this early phase of hardware initialization, suitable messages are now displayed on the connected monitor. Additionally, these configuration or hardware errors are logged to the Integrated Management Log (IML) to assist in diagnosis.

HPE's ProLiant ROM is used to configure the following:

- Processor and chipset status registers
- System memory, memory map, and memory initialization
- System hardware configuration (integrated PCI devices and optional PCIe cards).
- Customer-specific BIOS configuration using the HPE ROM-Based Setup Utility (RBSU).

NOTE: For further information, please refer to The Hewlett Packard Enterprise RBSU (ROM based setup utility) user guide: <http://www.hp.com/support/rbsu>

Storage Controller

One of the following depending on Model

One (1) HPE Smart Array P220i Controller with 512MB FBWC, (RAID 0 and 1)

NOTE: Upgradeable firmware with recovery ROM.

NOTE: The HPE Smart Array P220i supports two (2) small form factor (SFF) hot plug drive bays.

One (1) HPE Dynamic Smart Array B320i Controller (SATA RAID 0 and 1 standard; SAS RAID 0 and 1 standard on preconfigured models and optional with SAS License Key upgrade on Configure-to-Order models)

NOTE: HPE Dynamic Smart Array B320i supports two (2) small form factor (SFF) hot plug drive bays.

NOTE: The server supports up to a combined total of two (2) FBWC supercap options.

Available Options: Smart Array Advanced Pack Software for enhanced performance, reliability, availability, and security of system data, SAS License Key (RAID 0 and 1) and HPE 512MB FBWC for B-Series Smart Array.

Maximum Internal Storage

Hot Plug SFF SAS	4.0TB	2 x 2.0TB
Hot Plug SFF SATA	4.0TB	2 x 2.0TB
Hot Plug SFF SAS SSD	3.2TB	2 x 1.6TB
Hot Plug SFF SATA SSD	3.2TB	2 x 1.6TB

QuickSpecs

Standard Features

NOTE: The ProLiant BL420c Gen8 server includes the new HPE hot plug small form factor (SFF) SmartDrive carrier for enhanced management and reduced maintenance errors. HPE drives from previous generation servers are not compatible with the ProLiant BL420c Gen8 drive bays.

Interfaces	Micro SDHC Slot	One (1) internal Micro Secure Digital High Capacity (Micro SDHC) card slot
	USB 2.0 Port	One (1) internal USB 2.0 connector for USB flash media drive keys

NOTE: The above options are for integrated hypervisor virtualization environments needing a low cost boot solution with the highest performance and reliability.

Industry Standard Compliance	ACPI 2.0
	Microsoft® Logo certifications
	USB 2.0 Support
	IPMI 2.0
	Secure Digital 2.0
	TPM 1.2 Support
	IEEE (specific IEEE standards dependent on Ethernet adapter card(s) installed)
	Advanced Encryption Standard (AES)
	Triple Data Encryption Standard (3DES)
	SNMP
	SSL 2.0
	DMTF Systems Management Architecture for Server Hardware Command Line Protocol (SMASH CLP)
	Active Directory v1.0
	PCIe 3.0

Operating Systems and Virtualization Software Support for ProLiant Servers	<p><u>Microsoft Windows Server</u></p> <p><u>Red Hat Enterprise Linux (RHEL)</u></p> <p><u>SUSE Linux Enterprise Server (SLES)</u></p> <p><u>Canonical Ubuntu</u></p> <p><u>Oracle Solaris</u></p> <p><u>VMware</u></p>
-----------------------------------------------------------------------------------	-------------------------------------------------------------------------------------------------------------------------------------------------------------------------------------------------------------------------------------------------------------------

NOTE: For more information on the HPE Certified and Supported ProLiant Servers for OS and Virtualization Software and latest listing of software drivers available for your server, please visit our Support Matrix at: <http://www.hp.com/info/ossupport> and our driver download page <http://www.hp.com/support/BL420cGen8>

Enclosures	<p>Hewlett Packard Enterprise offers two different c-Class server blade enclosures to meet your individual needs:</p> <ul style="list-style-type: none"> • The HPE BladeSystem c7000 rack enclosure is 10U high and holds up to sixteen (16) ProLiant BL420c Gen8 servers plugged vertically. • The HPE BladeSystem c3000 rack enclosure is 6U high and holds up to eight (8) HPE ProLiant BL420c Gen8 servers plugged horizontally. • Server blades, interconnect modules, power supplies, fans, and redundant Onboard Administrator modules are all designed to fit into the c3000 and c7000 enclosures. <p>NOTE: For additional enclosure information, please see: http://h18004.www1.hp.com/products/blades/components/enclosures/c-class/index.html</p>
-------------------	-------------------------------------------------------------------------------------------------------------------------------------------------------------------------------------------------------------------------------------------------------------------------------------------------------------------------------------------------------------------------------------------------------------------------------------------------------------------------------------------------------------------------------------------------------------------------------------------------------------------------------------------------------------------------------------------------------------------------------------------------------------------------------------------------------------------------------------------------------------------------------------------------------

Graphics	<p>Integrated Matrox G200 video standard</p> <ul style="list-style-type: none"> • 1280 x 1024 (32 bpp) • 1920 x 1200 (16 bpp)
-----------------	-------------------------------------------------------------------------------------------------------------------------------------------------------

QuickSpecs

Standard Features

HPE iLO 4 On System Management Memory

- 16 MB Flash
 - 256 MB DDR 3 with ECC (112 MB after ECC and video)
-

Form Factor

HPE ProLiant BL420c Gen8 is a half-height server blade that plugs into the HPE BladeSystem c3000 and c7000 enclosures.

On System Management

HPE iLO Management Engine

HPE iLO Management Engine is a comprehensive set of embedded management features supporting the complete lifecycle of the server, from initial deployment, through ongoing management, to service alerting and remote support. HPE iLO Management Engine comes standard on all HPE ProLiant Gen8 servers. The HPE iLO Management Engine portfolio includes:

- **HPE iLO:** The HPE iLO (Integrated Lights-Out) management processor is the core foundation for the HPE iLO Management Engine.
- **HPE Agentless Management:** Provides built in server health monitoring and alerting capability without OS agents, that starts working the moment a power cord and an Ethernet cable are connected.
- **HPE Active Health System** Always on, continuous monitoring for increased stability and shorter downtimes; 100% configuration history; Health and service alerts and easy export and upload to Service and Support.
- **HPE Intelligent Provisioning:** lets customers provision and configure a single server without any separate media. No more SmartStart CDs or firmware DVD are needed.
 - To start Intelligent Provisioning:
 - Press the F10 key during the ProLiant Gen8 server boot process (also known as power on self test or POST).
 - Please go to the Intelligent Provisioning website at <http://www.hp.com/go/intelligentprovisioning> for additional information and to view usage videos.
 - Use the Service Pack for ProLiant (SPP) at <http://www.hp.com/go/spp> to get firmware and software updates.
- **HPE iLO Mobile App:** Enables the ability to access, deploy, and manage your server anytime from anywhere from select smartphones and mobile devices. For additional information please visit:

<http://www.hp.com/go/ilo/mobileapp>

NOTE: For more information, visit: <http://www.hp.com/go/ilo> or HPE iLO Management Engine technologies whitepaper

HPE Insight management software

HPE Service Pack for ProLiant (SPP)

HPE Service Pack for ProLiant (SPP) and HPE Smart Update Manager (HPE SUM) provide a comprehensive approach to firmware and system software maintenance. Together they provide better operating stability and ensure maximum uptime. The SPP will be updated at a predictable cadence, typically coinciding with new HPE server hardware launches. By enabling firmware to be updated online and integrating firmware and system software updates in one operation, HPE SUM and the SPP offer faster updates of individual servers and dramatically faster updates of entire BladeSystem enclosures. Further improving system uptime and stability is the fact that Hewlett Packard Enterprise provides 12 months of support for each Service Pack for ProLiant release.

The user experience around HPE SUM and the SPP has been improved in several ways,

Standard Features

starting with the web download. A single web page provides access to a single download containing both the latest version of HPE SUM and the latest SPP. Optional smaller subsets with only specific types of servers or specific operating systems are offered to save on download time. The HPE SUM application provides a straightforward, intuitive user interface that guides the user through the steps of discovery, analyses and update, providing comprehensive information on available updates, criticality and interdependencies. This information is also available in reports. By providing the option of multiple local or shared repositories which can be easily updated from **hpe.com**, HPE SUM provides the tools to optimize stability and consistency throughout the company. While HPE SUM and the SPP recommend the combinations of firmware and system software that Hewlett Packard Enterprise has found to be the best practice, the application gives customers the flexibility to set their own specific baseline.

The Service Pack for ProLiant has been rigorously tested with specific attention for interaction between firmware, drivers and agents both within the server as well as in interaction with the BladeSystem enclosure components (Onboard Administrator and Virtual Connect). This testing ensures the highest quality as well as providing the input for HPE SUM to deploy updates taking into account all interdependencies, when determining the correct updates and order of update deployment.

NOTE: The Service Pack for ProLiant (which includes HPE SUM) can be downloaded from <http://www.hp.com/go/spp/download>. More information can be found: <http://www.hp.com/go/SmartUpdate>, <http://www.hp.com/go/spp> and <http://www.hp.com/go/hpsum>

Security

- Power-on password
- Administrator's password
- Keyboard password (QuickLock)
- HPE iLO 4 On System Management Chipset with:
 - SSL encryption
 - Secure Shell version 2
 - Advanced Encryption Standard (AES) and Triple Data Encryption Standard (3DES) on browser, CLP and XML scripting interface
 - AES and RC4 encryption of video
- External USB port enable/disable
- Serial interface control
- TPM (Trusted Platform Module) 1.2 option
- Advanced Encryption Standard (AES)
- Intel® Advanced Encryption Standard-New Instructions (AES-NI)

Availability

Memory

- Advanced ECC uses single device data correction (SDDC) to detect and correct single and all multi-bit error that occurs within a single DRAM chip. Both x4 and x8 SDDC are supported (x8 requires lockstep mode).
- Memory online spare mode (also known as rank spare mode) detects a rank that is degrading and switches operation to the spare rank.
- Memory Lockstep mode is used to correct a single x8 DRAM device failure on a DIMM. The DIMMs in each paired memory channel must have identical HPE part numbers.
- Memory demand and patrol scrubbing to prevent accumulation of correctable errors and reducing the likelihood of unplanned downtime.

Standard Features

- Failed DIMM isolation improves the service time thus improving the overall system availability.
- Address parity protection available on RDIMMs and LRDIMMs detects address bit errors improving service time and overall system availability.

Mezzanine options and I/O

- Support for one (1) FlexibleLOM, providing two (2) (i.e. redundant) Ethernet ports
- Multiple mezzanine I/O expansion slots that support a wide variety of mezzanine cards each supporting multiple data paths routed to redundant interconnect modules.
- Network Adapter Teaming (bonding) provides network fault tolerance, transmit load balancing, and switch-assisted load balancing.

Storage

- Two (2) Small Form Factor hot-plug SAS/SATA/SSD drive bays.
- Choice of SAS controller:
 - HPE Smart Array P220i Controller with 512MB FBWC, RAID 0 and 1 support, and upgradeable firmware with recovery ROM capability.
 - HPE Dynamic Smart Array B320i controller with optional 512MB FBWC upgrade and/or SAS license upgrade for RAID 0 and 1 support (SAS license comes standard on pre-configured models and comes as an upgrade option when selecting Configure-to-Order models).
- Optional dual-port Fibre Channel mezzanine cards for redundant SAN connections.

Processor/Chipset

- Processor internal sensors & thermal control protection against over-temperature conditions.
- Cache parity/ECC protects cache data from accidental data corruption.
- Machine Check Architecture (MCA) detects and captures hardware errors such as system bus, memory ECC, parity, and cache, and improves service time.
- Intel® QPI Protocol Protection allows detection of data errors using a checksum of 8-bits.
- Core Disable for FRB (fault resilient boot) allows a system to power-on despite a failing core-pair. It uses BIST (built-in self-test) results to detect a failure and disables the target core-pair upon subsequent boot.

Server Blade Enclosure Infrastructure

- Pooled power for true N+N power redundancy through up to six (6) hot-plug, high-efficiency, enclosure-based power supplies (configuration dependent).
- Up to ten (10) redundant enclosure-based hot-plug HPE Active Cool fans that scale to meet future demands and optimize airflow, reduce power draw, and improve acoustic performance.
- Dual grid power providing redundant rack enclosure power feeds to the server blade enclosure.
- HPE Dynamic Power Saver Mode the total enclosure power consumption is monitored in real time and automatically adjusted with changes in demand for improved efficiency and reliability.
- HPE Dynamic Power Capping safely limits power usage without impacting performance by capping peak instead of average power usage, removes risk to electrical infrastructure with fast-acting, hardware-based capping algorithm, and reclaims more power by dynamically controlling power limits based on workload demand.
- Up to eight interconnect modules per server blade enclosure providing four simultaneous redundant fabrics for FlexFabric, Virtual Connect Ethernet, Fibre Channel, InfiniBand, iSCSI, etc.
- Enclosure crosslinks between adjacent to provide interconnect module-to-module connections or as Virtual Connect module stacking links.
- Optional enclosure redundant Onboard Administrator system management module.

Warranty

This product is covered by a global limited warranty and supported by Hewlett Packard Enterprise Services and a worldwide network of Hewlett Packard Enterprise Authorized Channel Partners. Hardware diagnostic

Standard Features

support and repair is available for three years from date of purchase. Support for software and initial setup is available for 90 days from date of purchase. Enhancements to warranty services are available through HPE Care Pack services or customized service agreements. Certain restrictions and exclusions apply. Hard drives have either a one year or three year warranty; refer to specific hard drive QuickSpecs for details.

NOTE: Server warranty includes 3-year Parts, 3-year Labor, 3-year on-site support. Warranty repairs may be accomplished through the use of Customer Self Repair (CSR) parts. These parts fall into two categories: 1) Mandatory CSR parts are designed for easy replacement. A travel and labor charge will result when customers decline to replace a Mandatory CSR part; 2) Optional CSR parts are also designed for easy replacement but may involve added complexity. Customers may choose to have Hewlett Packard Enterprise replace Optional CSR parts at no charge. Additional information regarding worldwide limited warranty and technical support is available at <http://h18004.www1.hp.com/products/servers/platforms/warranty/index.html>.

Optional Features

Fibre Channel Support	Up to two (2) optional Fibre Channel mezzanine HBAs are supported on the HPE ProLiant BL420c Gen8.
Compatible SAN	<p>HPE ProLiant BL420c Gen8 server blades are optimized for HPE MSA, EVA and XP. HPE ProLiant BL420c Gen8 server blades are compatible with select 3rd party SANs. Please see blade storage page for more details at:</p> <p>http://h18004.www1.hp.com/products/blades/components/c-class-sans.html</p>
HPE Virtual Connect	<p>HPE Virtual Connect is an interconnect option for BladeSystem c-Class that simplifies server connectivity to data and storage networks, and reduces costs. Unique HPE Flex-10 technology makes maximum use of network bandwidths, provide dynamic tuning and enable extreme flexibility to meet individual server and infrastructure requirements by allocating up to 4 network connections per server port. Virtual Connect FlexFabric modules extend those capabilities to allocate one function per port to storage connections. HPE Virtual Connect Enterprise Manager (VCEM) provides server management software with a central console to administer network connections and workloads for thousands of servers. For more information on Virtual Connect Enterprise Manager, see http://www.hp.com/go/vcem. For more information on Virtual Connect Ethernet, Fibre Channel, Converged Network and management options, see http://www.hp.com/go/virtualconnect.</p>
HPE Insight management software	<p>HPE Insight Control HPE Insight Control, a product option, delivers essential infrastructure management that can help save time and money by making it easy to deploy, migrate, monitor, remote control, and optimize your IT infrastructure through a single, simple management console. For more information about this service, see http://www.hp.com/services/insight.</p> <p>HPE Insight Control includes one year of 24 x 7 HPE Software Technical Support and Update Service ensuring rapid access to Hewlett Packard Enterprise support staff and proactive delivery of software updates.</p> <p>HPE Matrix Operating Environment The HPE Matrix Operating Environment (Matrix OE) for ProLiant and Integrity servers is an integrated command center that helps you instantly adjust to dynamic business demands. This advanced infrastructure management software lets you reduce the cost of common data center tasks by up to 40 percent while keeping pace with your changing business.</p> <p>The HPE Matrix OE includes the automated provisioning, optimization, and recovery management capabilities for HPE CloudSystem Matrix, the ideal platform for private cloud and Infrastructure as a Service (IaaS). For more information, see http://www.hp.com/go/matrixoe.</p> <p>HPE iLO Scale-Out The HPE iLO Scale-Out license ideal for web/hosting/cloud service providers and High Performance Computing environments. This license is a specific subset of iLO Advanced functionality, provides fast remote access through Text Console via SSH, lower operational cost with Dynamic power capping, and faster time to resolution through Email-based Alerting and proactive notifications. With this newly designed HPE iLO Scale-Out HPC customers now have a server management package solely design and priced for their massive data environments. HPE iLO Scale-Out is available on all HPE ProLiant Gen8 BL and SL platforms. For more information, see: http://www.hp.com/go/iLO/scale-out</p> <p>HPE iLO Advanced HPE Integrated Lights-Out Advanced License a product option, providing smart remote server management without compromise. iLO Advanced unlocks the full set of remote administration functionality for all HPE ProLiant servers by activating the full</p>

Optional Features

Virtual Keyboard Video and Mouse remote console, multi-user collaboration, console record and replay, GUI-based and scripted virtual media and virtual folders, and enhanced security and power management functionality. For more information, see:

<http://www.hp.com/go/iloadvance>

HPE OneView

The HPE OneView architecture combines server, storage, and networking with control of datacenter environmental into a single, integrated management platform. Architected to deliver lifecycle management for the complete Converged Infrastructure, it facilitates collaboration, removes friction, collapses cycle times, eliminates error-prone work, and accelerates time to value. HPE OneView v1.0 combines management of servers and virtual connect with open integration to automate and customize existing tools and processes. With OneView, you'll work smarter-with greater visibility and control-and fully capitalize on the benefits of a Converged Infrastructure.

For more information on HPE OneView management, see: <http://www.hp.com/go/oneview>.

High Performance Clusters

HPE Cluster Platforms

HPE Cluster Platforms are specifically engineered, factory-integrated large-scale ProLiant clusters optimized for High Performance Computing, with a choice of servers, networks and software. Operating system options include specially priced offerings for Red Hat Enterprise Linux and SUSE Linux Enterprise Server, as well as Microsoft Windows HPEC Server. A Cluster Platform Configurator simplifies ordering.

<http://www.hp.com/go/clusters>

HPE HPEC Interconnects

High Performance Computing (HPEC) interconnect technologies are available for this server as part of the HPE Cluster Platform portfolio. These high-speed InfiniBand and Gigabit interconnects are fully supported by Hewlett Packard Enterprise when integrated within an Hewlett Packard Enterprise cluster. Flexible, validated solutions can be defined with the help of configuration tools.

<http://www.hp.com/techservers/clusters/ucp/index.html>

HPE Insight Cluster Management Utility

HPE Insight Cluster Management Utility (CMU) is an HPE-licensed and HPE-supported suite of tools that are used for lifecycle management of hyper scale clusters of Linux ProLiant systems. CMU includes software for the centralized provisioning, management and monitoring of nodes. CMU makes the administration of clusters user friendly, efficient, and effective. <http://www.hp.com/go/cmu>

Storage Software

Whether you need to solve a specific data protection, archiving, or storage command and control challenge, or deliver on strategic consolidation, compliance, or continuity initiatives, look no further than HPE storage software. Our storage software helps you reduce costs, simplify storage infrastructure, protect vital assets and respond faster to business opportunities.

Storage software that gets the job done:

- **Data Protection and Recovery Software**

Whether you're a large enterprise or a smaller business, HPE data protection and recovery software will cost-effectively protect you against disaster and ensure business continuity.

- **Data Archive and Migration Software**

The Hewlett Packard Enterprise storage software enables you to comply with data retention and retrieval requirements, improve application performance, and reduce costs by efficiently migrating infrequently accessed or less valuable data to lower cost storage.

- **Storage Resource Management Software (SRM)**

The Hewlett Packard Enterprise storage resource management software reduces operational costs and provides the command and control foundation you need to efficiently manage and visualize your physical and virtual environments.

- **Data Replication Software**

Hewlett Packard Enterprise offers array-based and host-based replication software for use in

Optional Features

disaster recovery, testing, application development and reporting.

- **Storage Device Management Software**

Maximize your investment in HPE storage and networking with software that enables hardware-specific configuration, performance tuning and connectivity management.

HPE StoreVirtual VSA

HPE StoreVirtual VSA allows you to create fully featured shared storage on a VMware vSphere or Microsoft Hyper-V virtualized server. This server model starting November 2013, includes a limited license for HPE StoreVirtual VSA software with 1TB of capacity. To download the license key and StoreVirtual VSA software, visit www.hp.com/go/unlockVSA.

NOTE: You will need your server serial number in order to complete the registration form. Fully functional, capacity-based licenses are available in 4TB, 10T and 50TB sizes. For more information and access to the 60-day free trial, visit: <http://www.hp.com/go/tryVSA>

HPE Insight Online HPE Insight Online is a new addition to the HPE Support Center for one stop, secure access to product and Hewlett Packard Enterprise support information personalized to your IT environment. Insight Online can automatically display devices remotely monitored by HPE Insight Remote Support. With Insight Online's easy navigation you can efficiently track your IT support contracts and device status from anywhere and at anytime. <http://www.hp.com/go/insightonline>

HPE Proactive Insight experience Prevent problems with innovative, automated monitoring tools and proactive services. The HPE Proactive Insight experience consists of using Insight Online, Insight Remote Support, and Proactive Care Support Service as one integrated solution. The Proactive Insight experience provides you with expert advice and personalized, cloud-based automated IT support, helping to prevent unplanned down time and solve problems quickly. For more information, visit: <http://www.hp.com/go/proactiveinsightexperience>

Factory Express Portfolio for Servers and Storage HPE Factory Express offers configuration, customization, integration and deployment services for Hewlett Packard Enterprise servers and storage products. Customers can choose how their factory solutions are built, tested, integrated, shipped and deployed. Factory Express offers service packages for simple configuration, racking, installation, complex configuration and design services as well as individual factory services, such as image loading, asset tagging, and custom packaging. Hewlett Packard Enterprise products supported through Factory Express include a wide array of servers and storage: HPE Integrity, HPE ProLiant, HPE ProLiant Server Blades, HPE BladeSystem, HPE 9000 servers as well as the MSAxxxx, VA7xxx, EVA, XP, rackable tape libraries and configurable network switches. For more information on Factory Express services on your specific server model please contact your sales representative or go to: <http://www8.hp.com/us/en/campaigns/factory-express/server-storage-networking.html>

HPE Simple Configurator SCE is a guided self-service tool to help sales and non-technical people provide customers with initial configurations in 3 to 5 minutes. You may then send the configuration on for configuration help, or use in your existing ordering processes. If you require "custom" rack configuration or configuration for products not available in SCE, please contact Hewlett Packard Enterprise's Customer Business Center or an Authorized Partner for assistance. <https://h22174.www2.hp.com/SimplifiedConfig/Index>

Service and Support

Service and Support HPE Technology Services for Industry Standard Servers

HPE Technology Services delivers confidence, reduces risk and helps customers realize agility and stability. Connect to Hewlett Packard Enterprise to help prevent problems and solve issues faster. Our support technology lets you to tap into the knowledge of millions of devices and thousands of experts to stay informed and in control, anywhere, any time.

Protect your business beyond warranty with HPE Care Pack Services

HPE Care Pack Services enable you to order the right service level, length of coverage and response time as you purchase your new server, giving you full entitlement for the term you select.

Recommended HPE Care Pack Services for your HPE product

Optimized Care

HPE Proactive Care Advanced - 24x7 coverage, three year Care Pack Service

Achieve a higher return on your product investment with the personal attention from a locally assigned Account Support Manager who delivers recommendations designed to improve availability and performance. Leverage your system's ability to connect to Hewlett Packard Enterprise for automated problem detection and rapid critical event management to increase stability and reduce unplanned downtime. This recommendation provides 24x7 coverage with four-hour response for hardware and two-hour callback for supported software. Collaborative call management comes with Proactive Care Advanced or you may choose full support from Hewlett Packard Enterprise where we own all cases through to resolution. Hewlett Packard Enterprise is a leading provider of support services for most operating systems used on HPE BladeSystem with long, successful partnerships with vendors such as Microsoft, Red Hat, VMware, SUSE and others. Purchasing software support from Hewlett Packard Enterprise simplifies troubleshooting and shortens time to resolution with one call for hardware or software questions.

<http://h20195.www2.hp.com/V2/GetDocument.aspx?docname=4AA5-3259ENW&cc=us&lc=en>

Standard Care

HPE Proactive Care with 24x7 coverage, three year Care Pack Service

HPE Proactive Care helps prevent problems and stabilize IT by utilizing secure, real-time, predictive analytics and proactive consultations when your products are connected to Hewlett Packard Enterprise. This Care Pack Service combines three years' proactive reporting and advice with our 24x7 coverage and enhanced escalation management, four hour hardware response time and two hour call back for software questions on leading industry standard software running on your HPE ProLiant server.

<http://h20195.www2.hp.com/v2/GetPDF.aspx/4AA3-8855ENW.pdf>

Related Services

HPE ProLiant Server Hardware Installation

Provides for the basic hardware installation of Hewlett Packard Enterprise branded servers, storage devices and networking options to assist you in bringing your new hardware into operation in a timely and professional manner.

<http://h20195.www2.hp.com/V2/GetPDF.aspx/5981-9356EN.pdf>

Factory Express for Servers and storage

HPE Factory Express offers configuration, customization, integration and deployment services for Hewlett Packard Enterprise servers and storage products. Customers can choose how their factory solutions are built, tested, integrated, shipped and deployed. For more information on Factory Express services for your specific server model please contact your sales representative or go to: <http://www.hp.com/go/factory-express>.

Data Privacy Services

Protect your data through better media management. HPE Data privacy services help manage and protect sensitive data to reduce the risk of unauthorized access to private information and help meet compliance requirements. Our retention services allow you to keep drives and other devices upon failure, our removal

QuickSpecs

Service and Support

services provide convenient data sanitization and our recovery services allow you to safely retire IT assets and capture any remaining value from the hardware. <http://www.hp.com/services/dataprivacy>
 Additional HPE Care Pack services can be found at: <http://www.hp.com/go/cpc>

Get connected to Hewlett Packard Enterprise to improve your support experience

Connecting products to Hewlett Packard Enterprise will help prevent problems with 24x7 monitoring, prefailure alerts, automatic call logging, and parts dispatch, plus current data will be available for the proactive reports that are part of Proactive Care Services. With Connected products, you can have a dashboard to manage your IT anywhere, anytime, from any device.

HPE Support Center Personalized online support portal with access to information, tools and experts to support Hewlett Packard Enterprise business products. Submit support cases online, chat with Hewlett Packard Enterprise experts, access support resources or collaborate with peers. Learn more <http://www.hp.com/go/hpsc>
 The Hewlett Packard Enterprise Support Center Mobile App allows you to resolve issues yourself or quickly connect to an agent for live support. Now, you can get access to personalized IT support anywhere, anytime. HPE Insight Remote Support and HPE Support Center are available at no additional cost with a Hewlett Packard Enterprise warranty, HPE Care Pack or Hewlett Packard Enterprise contractual support agreement.
NOTE: HPE Support Center Mobile App is subject to local availability.

Parts and Materials Hewlett Packard Enterprise will provide HPE-supported replacement parts and materials necessary to maintain the covered hardware product in operating condition, including parts and materials for available and recommended engineering improvements.
 Parts and components that have reached their maximum supported lifetime and/or the maximum usage limitations as set forth in the manufacturer's operating manual, product QuickSpecs, or the technical product data sheet will not be provided, repaired, or replaced as part of these services.
 The defective media retention service feature option applies only to Disk or eligible SSD/Flash Drives replaced by Hewlett Packard Enterprise due to malfunction.

For more information

To learn more on HPE ProLiant servers and HPE BladeSystem servers, please contact your Hewlett Packard Enterprise sales representative or Hewlett Packard Enterprise Authorized ServiceOne Channel Partner. Or visit: <http://www.hp.com/services/bladesystem>

Configuration Information - Factory Integrated Models

NOTE: This section lists some of the steps required to configure a Factory Integrated Model (configure-to-order or CTO server). To ensure only valid configurations are ordered, Hewlett Packard Enterprise recommends the use of an Hewlett Packard Enterprise approved configurator. Contact your local sales representative for information on CTO product offerings and requirements.

NOTE: Configure-to-order server blades must start with a CTO Blade Server.

NOTE: FIO indicates that this option is only available as a factory installable option.

Step 1: Base Server Blade Configuration (Select a configurable Blade)

HPE Models	<p>HP ProLiant BL420c Gen8 10Gb FlexibleLOM Configure-to-order Blade Server 640996-B21</p> <p>Configurable Model ships with:</p> <p>One (1) FlexibleLOM connector providing a choice of one (1) of the supported 10Gb FlexibleLOMs (see Step 2)</p> <p>One (1) SAS controller connector providing a choice of one (1) of the supported SAS controllers (see step 2)</p> <p>Two (2) HPE small form factor hot-plug SAS/SATA/SSD hard drive bays</p> <p>One (1) x8 PCIe 3.0 I/O expansion slot (Type A)</p> <p>One (1) x16 PCIe 3.0 I/O expansion slot (Type B)</p> <p>One (1) integrated USB connector and one (1) Micro SDHC connector</p> <p>One (1) TPM connector</p> <p>HPE iLO Management Engine (standard)</p>
	<p>HP ProLiant BL420c Gen8 1Gb FlexibleLOM Configure-to-order Blade Server 690142-B21</p> <p>Configurable Model ships with:</p> <p>One (1) FlexibleLOM connector providing a choice of one (1) of the supported 1Gb FlexibleLOMs (see Step 2)</p> <p>One (1) SAS controller connector providing a choice of one (1) of the supported SAS controllers (see step 2)</p> <p>Two (2) HPE small form factor hot-plug SAS/SATA/SSD hard drive bays</p> <p>One (1) x8 PCIe 3.0 I/O expansion slot (Type A)</p> <p>One (1) x16 PCIe 3.0 I/O expansion slot (Type B)</p> <p>One (1) integrated USB connector and one (1) Micro SDHC connector</p> <p>One (1) TPM connector</p> <p>HPE iLO Management Engine (standard)</p>

Step 2: Choose Required Options (one of the following from each list unless otherwise noted)

HPE Processors	<p>For single processor configuration choose:</p> <p>Core Processor Option Kits</p> <p>NOTE: All configure-to-order processor kits (i.e. xxxxxx-L21) contain one (1) processor.</p> <p>NOTE: If two processors are desired, select one xxxxxx-L21 here in Step 2 and one xxxxxx-B21 in Step 4.</p> <p>E5-2400 v2 series Processors</p> <p>HP BL420c Gen8 Intel® Xeon® E5-2470 v2 (2.4GHz/10-core/25MB/95W) FIO Processor Kit 724181-L21</p> <p>HP BL420c Gen8 Intel® Xeon® E5-2450v2 (2.5GHz/8-core/20MB/95W) FIO Processor Kit 724182-L21</p> <p>HP BL420c Gen8 Intel® Xeon® E5-2440v2 (1.9GHz/8-core/20MB/95W) FIO Processor Kit 724183-L21</p> <p>HP BL420c Gen8 Intel® Xeon® E5-2430 v2 (2.5GHz/6-core/15MB/80W) FIO Processor Kit 724184-L21</p>
-----------------------	--------------------------------------------------------------------------------------------------------------------------------------------------------------------------------------------------------------------------------------------------------------------------------------------------------------------------------------------------------------------------------------------------------------------------------------------------------------------------------------------------------------------------------------------------------------------------------------------------------------------------------------------------------------------------------------------------------------------------------------------------------------------------------------------------------------------------------------------------------------------------------------------------------------------------------------

Configuration Information - Factory Integrated Models

HP BL420c Gen8 Intel® Xeon® E5-2420v2 (2.2GHz/6-core/15MB/80W) FIO Processor Kit	724185-L21
HP BL420c Gen8 Intel® Xeon® E5-2407v2 (2.4GHz/4-core/10MB/80W) FIO Processor Kit	724188-L21
HP BL420c Gen8 Intel® Xeon® E5-2403v2 (1.8GHz/4-core/10MB/80W) FIO Processor Kit	724189-L21
HP BL420c Gen8 Intel® Xeon® E5-2450Lv2 (1.7GHz/10-core/25MB/60W) FIO Processor Kit	724190-L21
HP BL420c Gen8 Intel® Xeon® E5-2430Lv2 (2.4GHz/6-core/15MB/60W) FIO Processor Kit	724191-L21

NOTE: In a 2 processor configuration, there are twelve (12) total available DIMM slots.

NOTE: DDR3 speed is the maximum memory speed of the processor. Actual memory speed may depend on the quantity and type of DIMMs installed.

NOTE: The BL420c Gen8 supports one or two processors.

NOTE: The BL420c Gen8 includes two I/O mezzanine expansion slots. A processor must be installed in processor slot 1 for access to the first mezzanine expansion slot (expansion slot 1). A processor must be installed in processor slot 2 for access to the second mezzanine expansion slot (expansion slot 2).

NOTE: All processors within the server must be identical. Mixing different processor models is not supported.

NOTE: All processors support Intel® Hyper-Threading and Intel® Turbo Boost Technologies except the E5-2403 and E5-2407.

NOTE: The letter "L" following the model number indicates denotes lower wattage.

NOTE: The processor model as well as the memory configuration determines the maximum speed memory can operate. Please see the see the "Memory" section later in this document.

HPE Memory

NOTE: HPE memory from previous generation servers are not qualified or warranted with this HPE ProLiant BL420c Server. HPE SmartMemory is required to realize the memory performance improvements and enhanced functionality listed in this document for Gen8. For additional information, please see the HPE SmartMemory QuickSpecs at:

http://h18000.www1.hp.com/products/QuickSpecs/14225_na/14225_na.html

NOTE: LRDIMM, RDIMM and UDIMMs are all distinct memory technologies and cannot be mixed within a server. The majority of ProLiant Gen8 servers support RDIMM, UDIMM and LRDIMM.

NOTE: A minimum of one DIMM is required per server.

NOTE: For additional memory rules and guidelines, see the "Memory" section later in this document.

HPE SmartMemory

Registered DIMMs (RDIMMs)

NOTE: The following memory is supported by the E5-2400v2 series Processors.

HP 4GB (1x4GB) Single Rank x4 PC3L-12800R (DDR3-1600) Registered CAS-11 Low Voltage Memory Kit	713981-B21
HP 8GB (1x8GB) Single Rank x4 PC3L-12800R (DDR3-1600) Registered CAS-11 Low Voltage Memory Kit	731765-B21
HP 8GB (1x8GB) Dual Rank x4 PC3L-12800R (DDR3-1600) Registered CAS-11 Low Voltage Memory Kit	713983-B21
HP 16GB (1x16GB) Dual Rank x4 PC3L-12800R (DDR3-1600) Registered CAS-11 Low Voltage Memory Kit	713985-B21

Registered DIMMs (RDIMMs)

NOTE: The following memory is supported by the E5-2400 series Processors.

Configuration Information - Factory Integrated Models

HP 4GB (1x4GB) Single Rank x4 PC3L-10600R (DDR3-1333) Registered CAS-9 Low Voltage Memory Kit 647893-B21

HP 4GB (1x4GB) Single Rank x4 PC3-12800R (DDR3-1600) Registered CAS-11 Memory Kit 647895-B21

HP 8GB (1x8GB) Dual Rank x4 PC3L-10600R (DDR3-1333) Registered CAS-9 Low Voltage Memory Kit 647897-B21

HP 8GB (1x8GB) Single Rank x4 PC3-12800R (DDR3-1600) Registered CAS-11 Memory Kit 647899-B21

HP 8GB (1x8GB) Dual Rank x4 PC3-12800R (DDR3-1600) Registered CAS-11 Memory Kit 690802-B21

HP 16GB (1x16GB) Dual Rank x4 PC3L-10600R (DDR3-1333) Registered CAS-9 Low Voltage Memory Kit 647901-B21

HP 16GB (1x16GB) Dual Rank x4 PC3-12800R (DDR3-1600) Registered CAS-11 Memory Kit 672631-B21

Unbuffered with ECC DIMMs (UDIMMs)

NOTE: The following memory is supported by the E5-2400v2 series Processors.

HP 2GB (1x2GB) Single Rank x8 PC3L-12800E (DDR3-1600) Unbuffered CAS-11 Low Voltage Memory Kit 713975-B21

HP 4GB (1x4GB) Dual Rank x8 PC3L-12800E (DDR3-1600) Unbuffered CAS-11 Low Voltage Memory Kit 713977-B21

HP 8GB (1x8GB) Dual Rank x8 PC3L-12800E (DDR3-1600) Unbuffered CAS-11 Low Voltage Memory Kit 713979-B21

Unbuffered with ECC DIMMs (UDIMMs)

NOTE: The following memory is supported by the E5-2400 series Processors.

HP 2GB (1x2GB) Single Rank x8 PC3-12800E (DDR3-1600) Unbuffered CAS-11 Memory Kit 669320-B21

HP 2GB (1x2GB) Single Rank x8 PC3L-10600E (DDR3-1333) Unbuffered CAS-9 Low Voltage Memory Kit 647905-B21

HP 4GB (1x4GB) Dual Rank x8 PC3-12800E (DDR3-1600) Unbuffered CAS-11 Memory Kit 669322-B21

HP 4GB (1x4GB) Dual Rank x8 PC3L-10600E (DDR3-1333) Unbuffered CAS-9 Low Voltage Memory Kit 647907-B21

HP 8GB (1x8GB) Dual Rank x8 PC3-12800E (DDR3-1600) Unbuffered CAS-11 Memory Kit 669324-B21

HP 8GB (1x8GB) Dual Rank x8 PC3L-10600E (DDR3-1333) Unbuffered CAS-9 Low Voltage Memory Kit 647909-B21

Load Reduced DIMMs (LRDIMMs)

NOTE: The following memory is supported by the E5-2400v2 series Processors.

HP 32GB (1x32GB) Quad Rank x4 PC3-14900L (DDR3-1866) Load Reduced CAS-13 Memory Kit 708643-B21

Load Reduced DIMMs (LRDIMMs)

NOTE: The following memory is supported by the E5-2400 series Processors.

HP 32GB (1x32GB) Quad Rank x4 PC3L-10600L (DDR3-1333) Load Reduced CAS-9 Low Voltage Memory Kit 647903-B21

NOTE: Depending on the memory configuration and processor model, 1866MHz, 1600MHz and 1333MHz memory may operate at a lower speed. Please see the "Memory" section later in this document and the Online Memory Configuration Tool for details at: <http://www.hp.com/go/ddr3memory-configurator>.

HPE Networking

FlexibleLOM Adapters

NOTE: The server requires one (1) FlexibleLOM that is installed in the FlexibleLOM connectors. All FlexibleLOMs are dual port: One port is routed to interconnect module bay 1 and the other to bay 2.

Configuration Information - Factory Integrated Models

10Gb FlexibleLOM Adapters

HP Ethernet 10Gb 2-port 560FLB FIO Adapter	684214-B21
HP FlexFabric 10Gb 2-port 554FLB FIO Adapter	684212-B21
HP FlexFabric 10Gb 2-port 534FLB FIO Adapter	700742-B21
HP Flex-10 10Gb 2-port 530FLB FIO Adapter	684211-B21

NOTE: HPE ProLiant BL420c Gen8 10Gb FlexibleLOM Configure-to-order Blade Server (640996-B21) must be selected in order to select one of the 10Gb FlexibleLOM Adapters

NOTE: Please see the QuickSpecs for Technical Specifications and additional information: <http://www.hp.com/go/ProLiantNICs>

1Gb FlexibleLOM Adapters

HP Ethernet 1Gb 2-port 361FLB FIO Adapter	684216-B21
-------------------------------------------	------------

NOTE: HPE ProLiant BL420c Gen8 1Gb FlexibleLOM Configure-to-order Blade Server (690142-B21) must be selected in order to select the 1Gb FlexibleLOM Adapter.

HPE Storage Controller

HP Dynamic Smart Array B320i FIO Adapter for BL420c Gen8	651732-B21
----------------------------------------------------------	------------

NOTE: B320i controller requires SAS License Key for SAS RAID 0,1 (see "HPE Storage Controllers - Optional Upgrades" below in the section labeled "Core Options").

HP Smart Array P220i Controller FIO Kit	690164-B21
-----------------------------------------	------------

NOTE: P220i Controller comes standard with 512MB FBWC.

Step 3: Choose Additional Factory Integration Options

HPE Insight Software	HP Insight Control including 1yr 24x7 Support ProLiant ML/DL/BL-bundle Single Server FIO License	C6N36A
Converged Infrastructure Management Software	HPE OneView with iLO Advanced - Server hardware required on same purchase order HP OneView for Blade Server incl 3yr 24x7 Supp FIO Bundle Physical 1 Svr Lic	F6Q89A

Step 4: Choose Additional Options for Factory Integration

NOTE: For additional options, please refer to the "Core Options" and "Additional Options" section below. For additional options, including server blade enclosures interconnect, mezzanine options and power subsystem options; please see the Core Options and Additional sections below; or the following:

- HPE BladeSystem c3000 Enclosure QuickSpecs:
http://h18000.www1.hp.com/products/QuickSpecs/12790_na/12790_na.html
NOTE: The c3000 HPE c-Class enclosures have full backwards and forwards compatibility, existing server blades are supported in the new enclosures and any future server blades will be supported in the existing enclosures.
- HPE BladeSystem c7000 Enclosure QuickSpecs:
http://h18000.www1.hp.com/products/QuickSpecs/12810_na/12810_na.html
NOTE: The c7000 HPE c-Class enclosures have full backwards and forwards compatibility, existing server blades are supported in the new enclosures and any future server blades will be supported in the existing enclosures.
- HPE BladeSystem c-Class Interconnect and Mezzanine Components:
<http://h18004.www1.hp.com/products/blades/components/c-class-interconnects.html> and
<http://h18004.www1.hp.com/products/blades/components/c-class-adapters.html>

NOTE: For optimal cooling and system performance the BL420c Gen8 requires the c7000 enclosure to be configured with 10 fans and the c3000 enclosure to be configured with 6 fans.

Core Options

HPE Networking

NOTE: Each 10 Gigabit Ethernet adapter requires a minimum of 2GB of server memory.

NOTE: A 10 Gigabit Ethernet adapter supports linking at 1Gbps or 10Gbps when connected to an interconnect module with 10Gb Ethernet downlinks.

NOTE: A 10 Gigabit Ethernet adapter supports linking at only 1Gbps when connected to an interconnect module with 1Gb Ethernet downlinks.

NOTE: The 10 Gigabit Ethernet adapters on each server blade connect to a 10Gb interconnect in bays 3-8 (HPE BladeSystem c7000 Enclosure) or bays 2-4 (HPE BladeSystem c3000 Enclosure).

10 Gigabit Ethernet Mezzanines

HP Ethernet 10Gb 2-port 560M Adapter

665246-B21

HP FlexFabric 10Gb 2-port 554M Adapter

647590-B21

NOTE: Please see QuickSpecs for technical specifications and additional information at: http://h18000.www1.hp.com/products/QuickSpecs/14221_na/14221_na.html.

HP Flex-10 10Gb 2-port 552M Adapter

674764-B21

NOTE: Please see QuickSpecs for technical specifications and additional information at: http://h18000.www1.hp.com/products/QuickSpecs/14218_na/14218_na.html.

HP FlexFabric 10Gb 2-port 534M Adapter

700748-B21

NOTE: Please see QuickSpecs for technical specifications and additional information at: http://h18000.www1.hp.com/products/QuickSpecs/14617_na/14617_na.html

HP Flex-10 10Gb 2-port 530M Adapter

631884-B21

NOTE: Please see QuickSpecs for technical specifications and additional information at: http://h18000.www1.hp.com/products/QuickSpecs/14217_na/14217_na.html.

1 Gigabit Ethernet Mezzanines

HP Ethernet 1Gb 4-port 366M Adapter

615729-B21

NOTE: Please see QuickSpecs for technical specifications and additional information at: http://h18000.www1.hp.com/products/QuickSpecs/14335_na/14335_na.html

FlexibleLOM Adapters

NOTE: The server supports one (1) FlexibleLOM that is installed in the FlexibleLOM connectors and is already included in the pre-configured models. However, it must be added in Step 2 for Configure-to-order Models. The FlexibleLOM options below are used to change these original FlexibleLOMs.

10 Gigabit Ethernet FlexibleLOM Adapters

HP Ethernet 10Gb 2-port 560FLB Adapter

655639-B21

NOTE: Please see QuickSpecs for technical specifications and additional information at: http://h18000.www1.hp.com/products/QuickSpecs/14331_na/14331_na.html

HP FlexFabric 10Gb 2-port 554FLB Adapter

647586-B21

NOTE: Please see QuickSpecs for technical specifications and additional information at: http://h18000.www1.hp.com/products/QuickSpecs/14219_na/14219_na.html

HP FlexFabric 10Gb 2-port 534FLB Adapter

700741-B21

NOTE: Please see QuickSpecs for technical specifications and additional information at: http://h18000.www1.hp.com/products/QuickSpecs/14617_na/14617_na.html

HP Flex-10 10Gb 2-port 530FLB Adapter

656590-B21

NOTE: Please see QuickSpecs for technical specifications and additional information

QuickSpecs

Core Options

at: http://h18000.www1.hp.com/products/QuickSpecs/14216_na/14216_na.html

1Gb FlexibleLOM Adapters

HP Ethernet 1Gb 2-port 361FLB Adapter

652500-B21

NOTE: Please see QuickSpecs for technical specifications and additional information

at: http://h18000.www1.hp.com/products/QuickSpecs/14333_na/14333_na.html

HPE Fibre Channel

HP LPe1205A 8Gb Fibre Channel Host Bus Adapter for BladeSystem c-Class

659818-B21

NOTE: Please see QuickSpecs for technical specifications and additional information

at: http://h18000.www1.hp.com/products/QuickSpecs/14338_na/14338_na.html

HP QMH2572 8Gb Fibre Channel Host Bus Adapter for BladeSystem c-Class

651281-B21

NOTE: Please see QuickSpecs for technical specifications and additional information

at: http://h18000.www1.hp.com/products/QuickSpecs/14230_na/14230_na.html

HPE Processors

NOTE: The BL420c Gen8 supports one or two processors.

NOTE: The BL420c Gen8 includes two I/O mezzanine expansion slots. A processor must be installed in processor slot 1 for access to the first mezzanine expansion slot (expansion slot 1). A processor must be installed in processor slot 2 for access to the second mezzanine expansion slot (expansion slot 2).

NOTE: All processors within the server must be identical.

NOTE: the letter "L" preceding the model number indicates denotes lower wattage.

NOTE: The processor model as well as the memory configuration determines the maximum speed memory can operate. Please see the see the "Memory" section later in this document.

E5-2400 v2 series Processors

HP BL420c Gen8 Intel® Xeon® E5-2470v2 (2.4GHz/10-core/25MB/95W) Processor Kit

724181-B21

HP BL420c Gen8 Intel® Xeon® E5-2450v2 (2.5GHz/8-core/20MB/95W) Processor Kit

724182-B21

HP BL420c Gen8 Intel® Xeon® E5-2440v2 (1.9GHz/8-core/20MB/95W) Processor Kit

724183-B21

HP BL420c Gen8 Intel® Xeon® E5-2430v2 (2.5GHz/6-core/15MB/80W) Processor Kit

724184-B21

HP BL420c Gen8 Intel® Xeon® E5-2420v2 (2.2GHz/6-core/15MB/80W) Processor Kit

724185-B21

HP BL420c Gen8 Intel® Xeon® E5-2407v2 (2.4GHz/4-core/10MB/80W) Processor Kit

724188-B21

HP BL420c Gen8 Intel® Xeon® E5-2403v2 (1.8GHz/4-core/10MB/80W) Processor Kit

724189-B21

HP BL420c Gen8 Intel® Xeon® E5-2450Lv2 (1.7GHz/10-core/25MB/60W) Processor Kit

724190-B21

HP BL420c Gen8 Intel® Xeon® E5-2430Lv2 (2.4GHz/6-core/15MB/60W) Processor Kit

724191-B21

NOTE: DDR3 speed is the maximum memory speed of the processor. Actual memory speed may depend on the quantity and type of DIMMs installed.

NOTE: The BL420c Gen8 supports one or two processors.

NOTE: The BL420c Gen8 includes two I/O mezzanine expansion slots. A processor must be installed in processor slot 1 for access to the first mezzanine expansion slot (expansion slot 1). A processor must be installed in processor slot 2 for access to the second mezzanine expansion slot (expansion slot 2).

NOTE: All processors within the server must be identical. Mixing different processor models is not supported.

NOTE: All processors support Intel® Hyper-Threading and Intel® Turbo Boost Technologies except the E5-2403 and E5-2407.

NOTE: The letter "L" following the model number indicates denotes lower wattage.

NOTE: The processor model as well as the memory configuration determines the

Core Options

maximum speed memory can operate. Please see the see the "Memory" section later in this document.

HPE Memory

NOTE: HPE memory from previous generation servers are not qualified or warranted with this HPE ProLiant BL420c Gen8 Server. HPE SmartMemory is required to realize the memory performance improvements and enhanced functionality listed in this document for Gen8. For additional information, please see the HPE SmartMemory QuickSpecs at:

http://h18000.www1.hp.com/products/QuickSpecs/14225_na/14225_na.html

NOTE: LRDIMM, RDIMM and UDIMMs are all distinct memory technologies and cannot be mixed within a server. The majority of ProLiant Gen8 servers support RDIMM, UDIMM and LRDIMM.

HPE SmartMemory

Registered DIMMs (RDIMMs)

NOTE: The following memory is supported by the E5-2400v2 series Processors.

HP 4GB (1x4GB) Single Rank x4 PC3L-12800R (DDR3-1600) Registered CAS-11 Low Voltage Memory Kit	713981-B21
HP 8GB (1x8GB) Single Rank x4 PC3L-12800R (DDR3-1600) Registered CAS-11 Low Voltage Memory Kit	731765-B21
HP 8GB (1x8GB) Dual Rank x4 PC3L-12800R (DDR3-1600) Registered CAS-11 Low Voltage Memory Kit	713983-B21
HP 16GB (1x16GB) Dual Rank x4 PC3L-12800R (DDR3-1600) Registered CAS-11 Low Voltage Memory Kit	713985-B21

Registered DIMMs (RDIMMs)

NOTE: The following memory is supported by the E5-2400 series Processors.

HP 4GB (1x4GB) Single Rank x4 PC3L-10600R (DDR3-1333) Registered CAS-9 Low Voltage Memory Kit	647893-B21
HP 4GB (1x4GB) Single Rank x4 PC3-12800R (DDR3-1600) Registered CAS-11 Memory Kit	647895-B21
HP 8GB (1x8GB) Dual Rank x4 PC3L-10600R (DDR3-1333) Registered CAS-9 Low Voltage Memory Kit	647897-B21
HP 8GB (1x8GB) Single Rank x4 PC3-12800R (DDR3-1600) Registered CAS-11 Memory Kit	647899-B21
HP 8GB (1x8GB) Dual Rank x4 PC3-12800R (DDR3-1600) Registered CAS-11 Memory Kit	690802-B21
HP 16GB (1x16GB) Dual Rank x4 PC3L-10600R (DDR3-1333) Registered CAS-9 Low Voltage Memory Kit	647901-B21
HP 16GB (1x16GB) Dual Rank x4 PC3-12800R (DDR3-1600) Registered CAS-11 Memory Kit	672631-B21

Unbuffered with ECC DIMMs (UDIMMs)

NOTE: The following memory is supported by the E5-2400v2 series Processors.

HP 2GB (1x2GB) Single Rank x8 PC3L-12800E (DDR3-1600) Unbuffered CAS-11 Low Voltage Memory Kit	713975-B21
HP 4GB (1x4GB) Dual Rank x8 PC3L-12800E (DDR3-1600) Unbuffered CAS-11 Low Voltage Memory Kit	713977-B21
HP 8GB (1x8GB) Dual Rank x8 PC3L-12800E (DDR3-1600) Unbuffered CAS-11 Low Voltage Memory Kit	713979-B21

Unbuffered with ECC DIMMs (UDIMMs)

NOTE: The following memory is supported by the E5-2400 series Processors.

Core Options

HP 2GB (1x2GB) Single Rank x8 PC3-12800E (DDR3-1600) Unbuffered CAS-11 Memory Kit	669320-B21
HP 2GB (1x2GB) Single Rank x8 PC3L-10600E (DDR3-1333) Unbuffered CAS-9 Low Voltage Memory Kit	647905-B21
HP 4GB (1x4GB) Dual Rank x8 PC3-12800E (DDR3-1600) Unbuffered CAS-11 Memory Kit	669322-B21
HP 4GB (1x4GB) Dual Rank x8 PC3L-10600E (DDR3-1333) Unbuffered CAS-9 Low Voltage Memory Kit	647907-B21
HP 8GB (1x8GB) Dual Rank x8 PC3-12800E (DDR3-1600) Unbuffered CAS-11 Memory Kit	669324-B21
HP 8GB (1x8GB) Dual Rank x8 PC3L-10600E (DDR3-1333) Unbuffered CAS-9 Low Voltage Memory Kit	647909-B21

Load Reduced DIMMs (LRDIMMs)

NOTE: The following memory is supported by the E5-2400v2 series Processors.

HP 32GB (1x32GB) Quad Rank x4 PC3-14900L (DDR3-1866) Load Reduced CAS-13 Memory Kit	708643-B21
-------------------------------------------------------------------------------------	------------

Load Reduced DIMMs (LRDIMMs)

NOTE: The following memory is supported by the E5-2400 series Processors.

HP 32GB (1x32GB) Quad Rank x4 PC3L-10600L (DDR3-1333) Load Reduced CAS-9 Low Voltage Memory Kit	647903-B21
-------------------------------------------------------------------------------------------------	------------

NOTE: Depending on the memory configuration and processor model, 1866MHz, 1600MHz and 1333MHz memory may operate at a lower speed. Please see the "Memory" section later in this document and the Online Memory Configuration Tool for details at: <http://www.hp.com/go/ddr3memory-configurator>.

HPE Hard Drives

NOTE: The ProLiant BL420c Gen8 server includes the new HPE hot-plug small form factor (SFF) SmartDrive carrier for enhanced management and reduced maintenance errors. Hewlett Packard Enterprise drives from previous generation servers are not compatible with the BL420c Gen8 drive bays.

NOTE: The mixing of standard SAS drives with SAS SSD is supported within the server, but limits the RAID configuration to two separate RAID 0 volumes. Mixing of other drives types is not supported.

NOTE: HPE hard drives have either a one year or three year warranty; refer to the specific hard drive QuickSpecs for details.

NOTE: The hard drive options are not required when configuring a drive-less model.

6G SATA Hot Plug with SmartDrive SFF (2.5-inch) Midline (MDL) Drives

HP 1TB 6G SATA 7.2K rpm SFF (2.5-inch) SC Midline 1yr Warranty Hard Drive	655710-B21
HP 500GB 6G SATA 7.2K rpm SFF (2.5-inch) SC Midline 1yr Warranty Hard Drive	655708-B21

NOTE: Please see the QuickSpecs for technical specifications and additional information at:

http://h18000.www1.hp.com/products/QuickSpecs/13021_na/13021_na.html.

SAS Hot Plug with SmartDrive SFF (2.5-inch) Enterprise Drives

HP 1.2TB 6G SAS 10K rpm SFF (2.5-inch) SC Dual Port Enterprise 3yr Warranty Hard Drive	718162-B21
HP 900GB 6G SAS 10K rpm SFF (2.5-inch) SC Enterprise 3yr Warranty Hard Drive	652589-B21
HP 600GB 6G SAS 10K rpm SFF (2.5-inch) SC Enterprise 3yr Warranty Hard Drive	652583-B21
HP 450GB 6G SAS 10K rpm SFF (2.5-inch) SC Enterprise 3yr Warranty Hard Drive	652572-B21
HP 300GB 6G SAS 10K rpm SFF (2.5-inch) SC Enterprise 3yr Warranty Hard Drive	652564-B21
HP 300GB 6G SAS 15K rpm SFF (2.5-inch) SC Enterprise 3yr Warranty Hard Drive	652611-B21

Core Options

HP 146GB 6G SAS 15K rpm SFF (2.5-inch) SC Enterprise 3yr Warranty Hard Drive	652605-B21
SAS Hot Plug SmartDrive SFF (2.5-inch) Midline Drives	
HP 1TB 6G SAS 7.2K rpm SFF (2.5-inch) SC Midline 1yr Warranty Hard Drive	652749-B21
HP 500GB 6G SAS 7.2K rpm SFF (2.5-inch) SC Midline 1yr Warranty Hard Drive	652745-B21
NOTE: Please see QuickSpecs for technical specifications and additional information at: http://h18000.www1.hp.com/products/QuickSpecs/12244_na/12244_na.html.	
12G SAS (2.5-inch) 512e SC HDD	
HP 600GB 12G SAS 15K rpm SFF (2.5-inch) SC 512e Enterprise 3yr Warranty Hard Drive	748387-B21
HP 1TB 12G SAS 7.2K rpm SFF (2.5-inch) SC 512e 1yr Warranty Hard Drive	765464-B21
HP 1.8TB 12G SAS 10K rpm SFF (2.5-inch) SC Enterprise 512e 3yr Warranty Hard Drive	791034-B21
HP 2TB 12G SAS 7.2K rpm SFF (2.5-inch) SC 512e 1yr Warranty Hard Drive	765466-B21
12G SAS RI-3 SFF SC SSD	
HPE 480GB 12G SAS Read Intensive-3 SFF 2.5-in SC 3yr Wty Solid State Drive	816562-B21
HPE 960GB 12G SAS Read Intensive-3 SFF 2.5-in SC 3yr Wty Solid State Drive	816568-B21
HPE 1.92TB 12G SAS Read Intensive-3 SFF 2.5-in SC 3yr Wty Solid State Drive	816572-B21
HPE 3.84TB 12G SAS Read Intensive-3 SFF 2.5-in SC 3yr Wty Solid State Drive	816576-B21
12G SAS MU-3 SFF SC SSD	
HPE 400GB 12G SAS Mixed Use-3 SFF 2.5-in SC 3yr Wty Solid State Drive	822555-B21
HPE 800GB 12G SAS Mixed Use-3 SFF 2.5-in SC 3yr Wty Solid State Drive	822559-B21
HPE 1.6TB 12G SAS Mixed Use-3 SFF 2.5-in SC 3yr Wty Solid State Drive	822563-B21
HPE 3.2TB 12G SAS Mixed Use-3 SFF 2.5-in SC 3yr Wty Solid State Drive	822567-B21
6G SATA (2.5-inch) 512e SC HDD	
HP 1TB 6G SATA 7.2K rpm SFF (2.5-inch) SC 512e 1yr Warranty Hard Drive	765453-B21
HP 2TB 6G SATA 7.2K rpm SFF (2.5-inch) SC 512e 1yr Warranty Hard Drive	765455-B21
6G SATA 2.5in WI-PLP SC SSD	
HP 1.2TB 6G SATA Write Intensive-2 SFF 2.5-in SC 3yr Wty Solid State Drive	804677-B21
HP 800GB 6G SATA Write Intensive-2 SFF 2.5-in SC 3yr Wty Solid State Drive	804671-B21
HP 400GB 6G SATA Write Intensive-2 SFF 2.5-in SC 3yr Wty Solid State Drive	804665-B21
HP 200GB 6G SATA Write Intensive-2 SFF 2.5-in SC 3yr Wty Solid State Drive	804639-B21
6G SATA 2.5in MU-PLP SC SSD	
HP 1.6TB 6G SATA Mixed Use-2 SFF 2.5-in SC 3yr Wty Solid State Drive	804631-B21
HP 800GB 6G SATA Mixed Use-2 SFF 2.5-in SC 3yr Wty Solid State Drive	804625-B21
HP 480GB 6G SATA Mixed Use-2 SFF 2.5-in SC 3yr Wty Solid State Drive	832414-B21
HP 200GB 6G SATA Mixed Use-2 SFF 2.5-in SC 3yr Wty Solid State Drive	804613-B21
6G SATA 2.5in RI-PLP SC SSD	
HP 1.6TB 6G SATA Read Intensive-2 SFF 2.5-in SC 3yr Wty Solid State Drive	804605-B21
HP 800GB 6G SATA Read Intensive-2 SFF 2.5-in SC 3yr Wty Solid State Drive	804599-B21
HP 480GB 6G SATA Read Intensive-2 SFF 2.5-in SC 3yr Wty Solid State Drive	804593-B21
HP 240GB 6G SATA Read Intensive-2 SFF 2.5-in SC 3yr Wty Solid State Drive	804587-B21
HP 120GB 6G SATA Read Intensive-2 SFF 2.5-in SC 3yr Wty Solid State Drive	804581-B21
HP 80GB 6G SATA Read Intensive-2 SFF 2.5-in SC 3yr Wty Solid State Drive	804575-B21

Core Options

6G SATA Value Endurance Hot Plug SFF (2.5-inch) Enterprise Boot Solid State Drives

NOTE: These drives support Gen8 servers only.

HP 120GB 6G SATA Value Endurance SFF 2.5-in SC Enterprise Boot 3yr Wty Solid State Drive	717965-B21
HP 80GB 6G SATA Value Endurance SFF 2.5-in SC Enterprise Boot 3yr Wty Solid State Drive	734360-B21

6G SATA Value Endurance Hot Plug SFF (2.5-inch) Enterprise Value Solid State Drives

NOTE: These drives support Gen8 servers only.

HP 800GB 6G SATA Value Endurance SFF 2.5-in SC Enterprise Value 3yr Wty Solid State Drive	717973-B21
HP 600GB 6G SATA Value Endurance SFF 2.5-in SC Enterprise Value 3yr Wty Solid State Drive	739898-B21
HP 480GB 6G SATA Value Endurance SFF 2.5-in SC Enterprise Value 3yr Wty Solid State Drive	717971-B21
HP 300GB 6G SATA Value Endurance SFF 2.5-in SC Enterprise Value 3yr Wty Solid State Drive	739888-B21
HP 240GB 6G SATA Value Endurance SFF 2.5-in SC Enterprise Value 3yr Wty Solid State Drive	717969-B21

6G SATA Value Endurance SFF (2.5-inch) SC Enterprise Value M1 Solid State Drives

HP 120GB 6G SATA Value Endurance SFF 2.5-in SC Enterprise Value 3yr Wty M1 Solid State Drive	764923-B21
HP 240GB 6G SATA Value Endurance SFF 2.5-in SC Enterprise Value 3yr Wty M1 Solid State Drive	764925-B21
HP 480GB 6G SATA Value Endurance SFF 2.5-in SC Enterprise Value 3yr Wty M1 Solid State Drive	764927-B21
HP 800GB 6G SATA Value Endurance SFF 2.5-in SC Enterprise Value 3yr Wty M1 Solid State Drive	764929-B21

6G SATA ME Hot Plug SFF (2.5-inch) Enterprise Mainstream Solid State Drives

HP 800GB 6G SATA Mainstream Endurance SFF 2.5-in SC Enterprise Mainstream 3yr Wty Solid State Drive	691868-B21
HP 400GB 6G SATA Mainstream Endurance SFF 2.5-in SC Enterprise Mainstream 3yr Wty Solid State Drive	691866-B21
HP 200GB 6G SATA Mainstream Endurance SFF 2.5-in SC Enterprise Mainstream 3yr Wty Solid State Drive	691864-B21
HP 100GB 6G SATA Mainstream Endurance SFF 2.5-in SC Enterprise Mainstream 3yr Wty Solid State Drive	691862-B21

6G SATA VE Hot Plug SFF (2.5-inch) SC EV G1 Solid State Drives

HP 480GB 6G SATA Value Endurance SFF 2.5-in SC Enterprise Value 3yr Wty G1 Solid State Drive	756657-B21
HP 240GB 6G SATA Value Endurance SFF 2.5-in SC Enterprise Value 3yr Wty G1 Solid State Drive	756636-B21
HP 120GB 6G SATA Value Endurance SFF 2.5-in SC Enterprise Value 3yr Wty G1 Solid State Drive	756621-B21

Core Options

6G SATA LE Hot Plug SFF (2.5-inch) SC EL Solid State Drives

HP 960GB 6G SATA Light Endurance SFF 2.5-in SC Enterprise Light 3yr Wty G1 Solid State Drive 756601-B21

6G SATA Read Intensive (2.5-inch) SC G2 Solid State Drive

HP 240GB 6G SATA Read Intensive SFF 2.5-in SC 3yr Wty Solid State Drive 789135-B21

HP 480GB 6G SATA Read Intensive SFF 2.5-in SC 3yr Wty Solid State Drive 789145-B21

12G SAS ME Hot Plug SFF (2.5-inch) Enterprise Mainstream Solid State Drives

HP 600GB 12G SAS 15K rpm SFF (2.5-inch) SC Enterprise 3yr Warranty Hard Drive 759212-B21

HP 450GB 12G SAS 15K rpm SFF (2.5-inch) SC Enterprise 3yr Warranty Hard Drive 759210-B21

HP 300GB 12G SAS 15K rpm SFF (2.5-inch) SC Enterprise 3yr Warranty Hard Drive 759208-B21

12G SAS Hot Plug SFF (2.5-inch) SC ENT HDD

HP 1.2TB 12G SAS 10K rpm SFF (2.5-inch) SC Enterprise 3yr Warranty Hard Drive 781518-B21

HP 900GB 12G SAS 10K rpm SFF (2.5-inch) SC Enterprise 3yr Warranty Hard Drive 785069-B21

HP 600GB 12G SAS 10K rpm SFF (2.5-inch) SC Enterprise 3yr Warranty Hard Drive 781516-B21

HP 300GB 12G SAS 10K rpm SFF (2.5-inch) SC Enterprise 3yr Warranty Hard Drive 785067-B21

12G SAS ME SFF (2.5-inch) SC Enterprise Mainstream H2 Solid State Drives

HP 200GB 12G SAS Mainstream Endurance SFF 2.5-in ENT Mainstream SC 3yr Wty H2 Solid State Drive 779164-B21

HP 400GB 12G SAS Mainstream Endurance SFF 2.5-in ENT Mainstream SC 3yr Wty H2 Solid State Drive 779168-B21

HP 800GB 12G SAS Mainstream Endurance SFF 2.5-in ENT Mainstream SC 3yr Wty H2 Solid State Drive 779172-B21

HP 1.6TB 12G SAS Mainstream Endurance SFF 2.5-in ENT Mainstream SC 3yr Wty H2 Solid State Drive 779176-B21

12G SAS SFF (2.5in) RI-3 SC SSD

HPE 3.84TB 12G SAS Read Intensive-3 SFF 2.5-in SC 3yr Wty Solid State Drive 816576-B21

HPE 1.92TB 12G SAS Read Intensive-3 SFF 2.5-in SC 3yr Wty Solid State Drive 816572-B21

HPE 960GB 12G SAS Read Intensive-3 SFF 2.5-in SC 3yr Wty Solid State Drive 816568-B21

HPE 480GB 12G SAS Read Intensive-3 SFF 2.5-in SC 3yr Wty Solid State Drive 816562-B21

12G SAS SFF (2.5in) MU-3 SC SSD

HPE 3.2TB 12G SAS Mixed Use-3 SFF 2.5-in SC 3yr Wty Solid State Drive 822567-B21

HPE 1.6TB 12G SAS Mixed Use-3 SFF 2.5-in SC 3yr Wty Solid State Drive 822563-B21

HPE 800GB 12G SAS Mixed Use-3 SFF 2.5-in SC 3yr Wty Solid State Drive 822559-B21

HPE 400GB 12G SAS Mixed Use-3 SFF 2.5-in SC 3yr Wty Solid State Drive 822555-B21

12G SAS VE SFF (2.5-inch) SC EV Solid State Drives

HP 1.6TB 6G SATA Value Endurance SFF 2.5-in SC Enterprise Value 3yr Wty Solid State Drive 757339-B21

HP 1.6TB 12G SAS Value Endurance SFF 2.5-in SC Enterprise Value 3yr Wty Solid State Drive 762263-B21

HP 800GB 12G SAS Value Endurance SFF 2.5-in SC Enterprise Value 3yr Wty Solid State Drive 762261-B21

12G SAS Write Intensive SFF (2.5-inch) SC 3yr Wty H2 Solid State Drive

HP 200GB 12G SAS Write Intensive SFF 2.5-in SC 3yr Wty Solid State Drive 802578-B21

Core Options

HP 400GB 12G SAS Write Intensive SFF 2.5-in SC 3yr Wty Solid State Drive	802582-B21
HP 800GB 12G SAS Write Intensive SFF 2.5-in SC 3yr Wty Solid State Drive	802586-B21
HP 1.92TB 12G SAS Read Intensive SFF 2.5-in SC 3yr Wty Solid State Drive	802891-B21

NOTE: The mixing of standard SAS drives with SAS SSD is supported within the server, but limits the RAID configuration to two separate RAID 0 volumes. Mixing of other drives types is not supported.

NOTE: HPE Dynamic Smart Array B320i Controller requires a SAS license key for RAID 0 and 1 functionality for SAS drives when selecting a Configure-to-Order server. The SAS RAID license comes standard with preconfigured servers. SATA RAID 0/1 standard.

NOTE: Please see the QuickSpecs for technical specifications and information at: http://h18000.www1.hp.com/products/QuickSpecs/14038_na/14038_na.html.

Additional Options

HPE Insight software

HPE Insight Control

HP Insight Control including 1yr 24x7 Technical Support and Updates Single Server License C6N27A

HP Insight Control including 1yr 24x7 Technical Support and Updates Electronic License C6N28ABE

HP Insight Control including 1yr 24x7 Support ProLiant ML/DL/BL-bundle FIO Electronic License C6N36ABE

HP Insight Control Server Provisioning Media Kit BD883A

HP Insight Management Media Kit C6N31A

NOTE: HPE Insight Management Media Kit contains DVDs without licenses. Contains HPE Systems Insight Manager, HPE Insight Control, HPE Matrix Operating Environment, and Virtual Connect Enterprise Manager software. Uses an integrated installer to perform quick and accurate software installation and updates.

NOTE: HPE Insight Control 7.2 introduces Insight Control server provisioning, a new capability ideal for multi-server OS and firmware provisioning to ProLiant and BladeSystem servers. Insight Control server provisioning is included and licensed as part of HPE Insight Control. A media kit, "HPE Insight Control server provisioning USB media kit" (# BD883A), including a USB, is available for customers who require a physical copy of the media loaded with Insight Control server provisioning software. Please note that this media kit is separate and in addition to the "HPE Insight Management DVD media kit" (#C6N31A).

NOTE: Electronic and Flexible-Quantity licenses can be used to purchase multiple licenses with a single activation key.

NOTE: Customer will receive a license entitlement certificate, which must be redeemed online or via fax in order to obtain the license activation key(s). Includes one year of 24 x 7 HPE Software Technical Support Service.

NOTE: Licenses ship without media. The HPE Insight Management Media Kit can be ordered separately, or can be downloaded at:

<http://www.hp.com/go/insightupdates>.

NOTE: For additional license kits, please see the QuickSpecs at:

http://h18004.www1.hp.com/products/QuickSpecs/12631_na/12631_na.html

HPE iLO Advanced

HPE Integrated Lights-Out (iLO) Advanced for ProLiant BladeSystem Remote Management

HP iLO Advanced for BladeSystem including 1yr 24x7 Support Single Server License 512488-B21

HP iLO Advanced Blade 1 Server License with 3yr 24x7 Tech Support and Updates BD502A

HPE Integrated Lights-Out (iLO)

HPE iLO Scale Out

HP Integrated Lights-Out Scale-Out 3yr 24x7 Tech Support and Updates Flex Quantity License BD776A

HP Integrated Lights-Out Scale-Out 1yr 24x7 Tech Support and Updates Flex Quantity License BD778A

HP Integrated Lights-Out Scale-Out including 3yr 24x7 Tech Support and Updates Flex Qty E-LTU BD776AAE

HP Integrated Lights-Out Scale-Out including 1yr 24x7 Tech Support and Updates Flex BD778AAE

QuickSpecs

Additional Options

Qty E-LTU
 HP Integrated Lights-Out Scale-Out including 3yr 24x7 Tech Support and Updates Tracking License BD777A

HP Integrated Lights-Out Scale-Out including 1yr 24x7 Tech Support and Updates Tracking License BD779A

NOTE: Customer will receive a license entitlement certificate, which must be redeemed online or via fax in order to obtain the license activation key(s). Includes one year of 24 x 7 HPE Software Technical Support Service.

NOTE: For additional license kits, including electronic delivery options, please see the iLO QuickSpecs at <http://www.hp.com/go/iLO>

**Converged
 Infrastructure
 Management
 Software**
HPE OneView
HPE OneView with iLO Advanced

HP OneView incl 3yr 24x7 Supp Phys 1 Svr Lic E5Y34A

HP OneView incl 3yr 24x7 Supp Flex Qty E-LTU E5Y35AAE

HP OneView w/o iLO including 3yr 24x7 Support 1 Server LTU P8B24A

HP OneView w/o iLO including 3yr 24x7 Support Flex Quantity E-LTU P8B26AAE

HP OneView w/o iLO including 3yr 24x7 Support FIO 1 Server LTU P8B31A

HPE OneView Media Kit Phys No Lic

HP OneView Media Kit Phys No Lic E5Y37A

NOTE: For additional license kits please see the QuickSpecs at http://h18004.www1.hp.com/products/QuickSpecs/14621_na/14621_na.html

**Cloud Management
 Software**
Helion Software
HPE Helion OpenStack

HPE Helion OpenStack 5yr 9x5 Support RTU P9A13A

HPE Helion OpenStack 5yr 9x5 Support E-RTU P9A13AAE

HPE Helion OpenStack 5yr 24x7 Support RTU P9A14A

HPE Helion OpenStack 5yr 24x7 Support E-RTU P9A14AAE

HPE Helion Platform

HPE Helion Platform 5yr 9x5 Support RTU P9A15A

HPE Helion Platform 5yr 9x5 Support E-RTU P9A15AAE

HPE Helion Platform 5yr 24x7 Support RTU P9A16A

HPE Helion Platform 5yr 24x7 Support E-RTU P9A16AAE

HP Helion Dev Plat

HPE Helion Development Platform 5yr 9x5 Support RTU P9A17A

HPE Helion Development Platform 5yr 9x5 Support E-RTU P9A17AAE

HPE Helion Development Platform 5yr 24x7 Support RTU P9A18A

HPE Helion Development Platform 5yr 24x7 Support E-RTU P9A18AAE

**High Performance
 Clusters**
HPE Cluster Management Utility

HP Insight Cluster Management Utility 1yr 24x7 Flexible License QL803B

HP Insight Cluster Management Utility 3yr 24x7 Flexible License BD476A

NOTE: These part numbers can be used to purchase one certificate for multiple

Additional Options

licenses and support with a single activation key. Each license is for one node (server). Customer will receive a printed end user license agreement and license entitlement certificate via physical shipment. The license entitlement certificate must be redeemed online in order to obtain a license key. Customer also will receive a support agreement.

HP Insight Cluster Management Utility Media

BD477A

NOTE: For additional license kits please see the QuickSpecs at:

http://h18004.www1.hp.com/products/QuickSpecs/12612_na/12612_na.html

HPE I/O Accelerator Options	HP 1.2TB Read Intensive Mezzanine PCIe Workload Accelerator for BladeSystem c-Class	794603-B21
	HP 1.6TB Read Intensive Mezzanine PCIe Workload Accelerator for BladeSystem c-Class	794605-B21
HPE Security	<p>HP Trusted Platform Module Option</p> <p>NOTE: The TPM (Trusted Platform Module) is a microcontroller chip that can securely store artifacts used to authenticate the server platform. These artifacts can include passwords, certificates and encryption keys. Windows® BitLocker™ Drive Encryption (BitLocker) is a data protection feature available in Windows Server® 2008. BitLocker leverages the enhanced security capabilities of a Trusted Platform Module (TPM) version 1.2. The TPM works with BitLocker to help protect user data and to ensure that a server running Windows Server 2008 has not been tampered with while the system was offline.</p> <p>NOTE: For more information about TPM, including a white paper, go to: http://h20195.www2.hp.com/v2/getpdf.aspx/4AA5-4782ENW.pdf</p> <p>NOTE: ProLiant OS pre-installed units will come with the partition required for TPM deployment.</p> <p>NOTE: The TPM key is unique to every TPM deployed server and must be retained. Misplacing or losing the key could result in data loss.</p>	488069-B21
HPE Storage Controllers	HPE Smart Array P731m/2G Controller	
	HP Smart Array P731m/2GB FBWC 6Gb 4-ports Ext Mezzanine SAS Controller	698535-B21
	NOTE: This option is a Type B mezzanine and only supported on mezzanine 2, which requires the second processor to be installed for functionality.	
	HP Smart Array P731m/512 FBWC 6Gb 4-ports Ext Mezzanine SAS Controller	698536-B21
	NOTE: This option is a Type B mezzanine and only supported on mezzanine 2, which requires the second processor to be installed for functionality.	
	NOTE: Please see the QuickSpecs for Technical Specifications and additional information at: http://h18000.www1.hp.com/products/QuickSpecs/14626_na/14626_na.html (Smart Array P731m Controller)	
HPE Smart Array P721m Controller		
HP Smart Array P721m/2GB FBWC 6Gb 4-ports Ext Mezzanine SAS Controller	650072-B21	
NOTE: This option is a Type B mezzanine and only supported on mezzanine 2, which requires the second processor to be installed for functionality.		
HP Smart Array P721m/512 FBWC 6Gb 4-ports Ext Mezzanine SAS Controller	655636-B21	
NOTE: This option is a Type B mezzanine and only supported on mezzanine 2, which requires the second processor to be installed for functionality.		
NOTE: Please see the QuickSpecs for Technical Specifications and additional information at:		

Additional Options

http://h18000.www1.hp.com/products/QuickSpecs/14404_na/14404_na.html

(Smart Array P721m Controller)

HPE Dynamic Smart Array B320i Specific Options:

NOTE: The following storage controller options below are not supported on the HPE Smart Array P220i controller.

HP 512MB B-series Dynamic Smart Array Flash Backed Write Cache with 24 inch Cable 676473-B21

HP SAS License Key No Media 1 Single Server License for B320i BC393A

NOTE: Please see the QuickSpecs for Technical Specifications and additional information at:

http://h18000.www1.hp.com/products/QuickSpecs/13200_na/13200_na.html

(Smart Array Advanced Pack)

HPE Secure Encryption	HP Secure Encryption per Svr Entitlement	C9A82AAE
------------------------------	------------------------------------------	----------

HPE InfiniBand Mezzanines	<p>NOTE: When an InfiniBand adapter is installed in mezzanine slot 1, only one port is active (regardless of operating mode). When installed in any other mezzanine slot, both ports are active.</p> <p>NOTE: InfiniBand QDR and FDR speeds are only supported on the HPE BladeSystem c7000 Enclosure. For additional information, please see the HPE BladeSystem c7000 Enclosure and InfiniBand QuickSpecs at: http://h18004.www1.hp.com/products/QuickSpecs/12586_na/12586_na.html http://h18000.www1.hp.com/products/QuickSpecs/13078_na/13078_na.html</p>	
	HP Infiniband QDR/Ethernet 10Gb 2-port 544M Adapter	644160-B21
	<p>NOTE: The QDR InfiniBand adapter may be installed in any mezzanine slot of the server.</p>	
	HP Infiniband FDR/Ethernet 10Gb/40Gb 2-port 544M Adapter	644161-B22
	<p>NOTE: The FDR InfiniBand adapter must be installed in mezzanine slot 1 for FDR mode and may be installed in any mezzanine slot if operated in any other mode.</p>	
	HP InfiniBand FDR 2-port 545M Adapter	702213-B21

HPE Flash Media Kits for USB Drives	<p>HPE Enterprise Mainstream Flash Media Kits for Memory Cards</p>	
	HP 8GB microSD Enterprise Mainstream Flash Media Kit	726116-B21
	HP 32GB microSD Enterprise Mainstream Flash Media Kit	700139-B21
	HP 8GB USB Enterprise Mainstream Flash Media Drive Key Kit	737953-B21
	<p>NOTE: Please see the QuickSpecs for Technical Specifications and additional information: http://h18000.www1.hp.com/products/QuickSpecs/13971_na/13971_na.html</p>	

HPE Care Pack Services	<p>Proactive Care - Collaborative Support plus Proactive services delivered by the on shore/near shore Advanced Solution Center (ASC) and backed by the global delivery organization, end-to-end case ownership from a Technical Solution Specialists and Technical Account Manager who remotely delivers firmware/software revision management, proactive scans and incident trend reports. Recommended for customers running a virtualized infrastructure and/or customers who desire an enhanced call support experience.</p>	
	HPE 3 year Proactive Care 24x7 ProLiant BL4xxc Service	U3B14E

Additional Options

HPE 3 year Proactive Care 24x7 with DMR ProLiant BL4xxc Service U3B17E

HPE 3 year Proactive Care Call to Repair ProLiant BL4xxc Service U3B20E

HPE 3 year Proactive Care Call to Repair 24x7 with DMR ProLiant BL4xxc Service U3B23E

Proactive Care Personalized Support Environmental Option - to add an onsite Account Support Manager (ASM) to Proactive Care. ASM is an assigned resource who delivers support planning and brings technical expertise and best practices advice for the customer's environment.

Installation Services - reduce the time required to get your system up and running and help minimize disruptions to your business.

HP Install c-Class Server Blade Service UE493E

HP Hardware Installation during Non-Standard Hours c-Class Server Blade Service UG869E

Additional HPE Care Pack services can be found at:

<http://www.hp.com/go/cpc>

QuickSpecs

Memory

For detailed memory configuration rules and guidelines, please use the Online DDR3 Memory Configuration Tool:

<http://www.hp.com/go/ddr3memory-configurator>

Memory Subsystem Architecture

Each Intel® Xeon® E5-2400 family or Intel Xeon E5-2400v2 family processor socket contains three memory channels that support two DIMMs each for a total of six (6) DIMMs per installed processor or a grand total of twelve (12) DIMMs for the server. Up to 32GB capacity DIMMs are supported for 384GB of memory (12 DIMM slots x 32GB per DIMM).

Memory Population Rules and Guidelines:

- A minimum of one DIMM is required per server.
- Install DIMMs only if the corresponding processor is installed.
- If only one processor is installed in a two processor system, only half of the DIMM slots are available.
- To maximize performance, it is recommended to balance the total memory capacity between all installed processors and to load the channels similarly whenever possible.
- RDIMMs operating at either 1.35V or 1.5V may be mixed in any order, but the system will power them at the higher voltage.
- RDIMMs, LRDIMMs, and UDIMMs cannot be mixed.
- DIMMs of different speeds may be mixed in any order; the server will select a common optimal speed.
- The maximum memory speed is a function of the memory type, memory configuration, and processor model.
- The maximum memory capacity is a function of the memory type and number of installed processors.
- HPE memory from previous generation servers is not compatible with the BL420c Gen8 Server Blade.
- To realize the performance memory capabilities listed in this document, HPE SmartMemory is required. For additional information, please see the HPE SmartMemory QuickSpecs at: http://h18000.www1.hp.com/products/QuickSpecs/14225_na/14225_na.html.
- For memory population rules and additional memory guidelines, please see the BL420c Gen8 user guide at <http://www.hp.com/support>.

BL420c Gen8 Supported Memory Bandwidth on Intel E5-2400 series Processors														
DIMM Type	Registered DIMMS (RDIMMS)							Load Reduced (LRDIMMS)	Unbuffered with ECC DIMMs (UDIMMS)					
	Single Rank (1R)		Dual Rank (2R)		Single Rank (1R)	Dual Rank (2R)	Dual Rank (2R)	Quad Rank (4R)	Single Rank (1R)	Dual Rank (2R)				
DIMM Capacity	4GB	4GB	8GB	8GB	8GB	16GB	16GB	32GB	2GB	2GB	4GB	4GB	8GB	8GB
DIMM Native Speed (MHz)	1333	1600	1333	1600	1600	1333	1600	1333	1333	1600	1333	1600	1600	1333
Voltage ¹	LV	Std	LV	Std	Std	LV	Std	LV	LV	Std	LV	Std	Std	LV
¹ LV= low voltage at 1.35V; Std = standard voltage at 1.5V.														
SLOTS THAT CAN BE POPULATED														
12 slot servers	12	12	12	12	12	12	12	12	12	12	12	12	12	12
MAXIMUM CAPACITY (GB) ²														
12 slot servers	48	48	96	96	96	192	192	384	24	24	48	48	96	96
POPULATED DIMM SPEED (MHz)														
1 DIMM Per Channel	1333	1600	1333	1600	1600	1333	1600	1333 ³	1333	1600	1333	1600	1600	1333
2 DIMM Per Channel	1333	1600	1333	1600	1600	1333	1600	1333 ³	1333 ⁴	1600	1333 ⁴	1600	1600	1333 ⁴
² Maximum capacity will vary based on individual server platform qualification schedule														

QuickSpecs

Memory

³ Using HPE SmartMemory, 1333MHz LRDIMM operate at 1.35V for 2 DIMMs per channel (2DPC). Third party 1333MHz LRDIMM memory may only support 1.5V at 2DPC.

⁴ Using HPE SmartMemory, UDIMMs at 2DPC are supported up to 1333MHz. Third party UDIMMs at 2DPC may only support up to 1066MHz.

NOTE: Maximum memory speed is a function of the processor QPI bus speed; see the table below "Memory Speed by Processor Model".

Intel Gen8 Supported Memory Bandwidth on E5-2400v2 series Processor

DIMM Type	Registered DIMM				Load Reduced (LRDIMMs)	Unbuffered DIMM		
	Single Rank (1R)	Dual Rank (2R)	Single Rank (1R)	Dual Rank (2R)	Quad Rank (4R)	Single Rank (1R)	Dual Rank (2R)	
DIMM Capacity	4GB	8GB	8GB	16GB	32GB	2GB	4GB	8GB
DIMM Native Speed (MT/s) - >	1600	1600	1600	1600	1866	1600	1600	1600
Voltage	LV	LV	LV	LV	Std	LV	LV	LV

¹LV= low voltage at 1.35V; Std = standard voltage at 1.5V.

SLOTS THAT CAN BE POPULATED

12 slot servers	12	12	12	12	12	12	12	12
-----------------	----	----	----	----	----	----	----	----

MAXIMUM CAPACITY (GB)*

12 slot servers	48	96	96	192	384	24	48	96
-----------------	----	----	----	-----	-----	----	----	----

POPULATED DIMM SPEED (MT/s)

1 DIMM Per Channel	1600	1600	1600	1600	1866 ¹	1600	1600	1600
2 DIMM Per Channel	1600	1600	1600	1600	1866 ¹	1600	1600	1600

Memory speed is a function of the processor QPI bus speed.

* Maximum capacity will vary based on individual server platform qualification schedule

¹Intel Xeon E5-2400v2 architecture supports maximum 1600MHz memory speeds.

Memory Speed by E5-2400 series Processor Model

Processor Models	Supported Memory Speeds
E5-2450, E5-2450L, E5-2470	1600/1333/1066MHz
E5-2420, E5-2430, E5-2430L, E5-2440	1333/1066MHz
E5-2403, E5-2407	1066MHz

Memory Speed by E5-2400 v2 series Processor Model

Processor Models	Supported Memory Speeds
E5-2420 v2, E5-2430 v2, E5-2430L v2, E5-2440 v2, E5-2450 v2, E5-2450L v2, E5-2470 v2	1600/1333MHz
E5-2403 v2, E5-2407 v2	1333MHz

Standard and Maximum Memory Capacity (Pre-configured Models)

Pre-Configured Models	Standard Memory	Maximum Memory Plus Optional Memory	Standard Memory Replaced with Optional Memory
E5-2450 (6x4GB 1600)	24GB (6x 4GB)	120GB (6x4GB + 6x 16GB)	384GB (12x 32GB LRDIMM)
E5-2450L, E5-2430, E5-2403	12GB	156GB	384GB

QuickSpecs

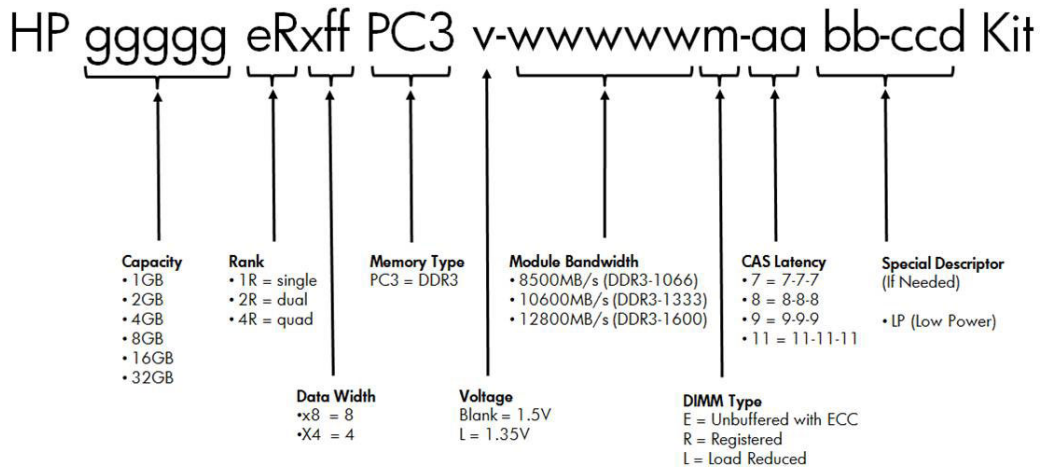
Memory

(3x4GB 1333)	(3x 4GB)	(3x 4GB + 9x 16GB)	(12x 32GB LRDIMM)
--------------	----------	--------------------	-------------------

NOTE: Capacity references are rounded to the common gigabyte (GB) values.

- 2GB = 2,048MB
- 4GB = 4,096MB
- 8GB = 8,192MB
- 16GB = 16,384MB
- 32GB = 32,768MB

Memory options part number decoder



Following are memory options available from HP:

NOTE: HPE memory from previous generation servers are not qualified or warranted with this HPE ProLiant BL420c Gen8 Server. HPE SmartMemory is required to realize the memory performance improvements and enhanced functionality listed in this document for Gen8. For additional information, please see the HPE SmartMemory QuickSpecs at: http://h18000.www1.hp.com/products/QuickSpecs/14225_na/14225_na.html

NOTE: LRDIMM, RDIMM and UDIMMs are all distinct memory technologies and cannot be mixed within a server. The majority of ProLiant Gen8 servers support RDIMM, UDIMM and LRDIMM.

HPE Memory

HPE SmartMemory

Registered DIMMs (RDIMMs)

NOTE: The following memory is supported by the E5-2400 v2 series Processors.

HP 4GB (1x4GB) Single Rank x4 PC3L-12800R (DDR3-1600) Registered CAS-11 Low Voltage Memory Kit	713981-B21
HP 8GB (1x8GB) Single Rank x4 PC3L-12800R (DDR3-1600) Registered CAS-11 Low Voltage Memory Kit	731765-B21
HP 8GB (1x8GB) Dual Rank x4 PC3L-12800R (DDR3-1600) Registered CAS-11 Low Voltage Memory Kit	713983-B21
HP 16GB (1x16GB) Dual Rank x4 PC3L-12800R (DDR3-1600) Registered CAS-11 Low Voltage Memory Kit	713985-B21

Registered DIMMs (RDIMMs)

NOTE: The following memory is supported by the E5-2400 series Processors.

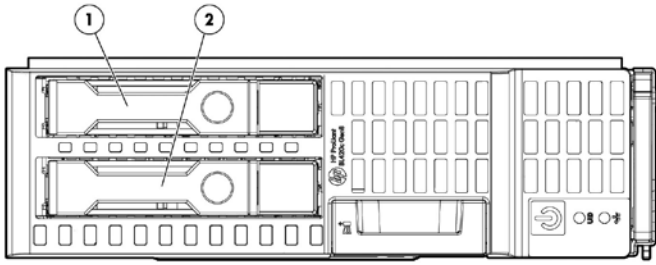
HP 4GB (1x4GB) Single Rank x4 PC3L-10600R (DDR3-1333) Registered CAS-9 Low Voltage Memory Kit	647893-B21
-----------------------------------------------------------------------------------------------	------------

Memory

HP 4GB (1x4GB) Single Rank x4 PC3-12800R (DDR3-1600) Registered CAS-11 Memory Kit	647895-B21
HP 8GB (1x8GB) Dual Rank x4 PC3L-10600R (DDR3-1333) Registered CAS-9 Low Voltage Memory Kit	647897-B21
HP 8GB (1x8GB) Single Rank x4 PC3-12800R (DDR3-1600) Registered CAS-11 Memory Kit	647899-B21
HP 8GB (1x8GB) Dual Rank x4 PC3-12800R (DDR3-1600) Registered CAS-11 Memory Kit	690802-B21
HP 16GB (1x16GB) Dual Rank x4 PC3L-10600R (DDR3-1333) Registered CAS-9 Low Voltage Memory Kit	647901-B21
HP 16GB (1x16GB) Dual Rank x4 PC3-12800R (DDR3-1600) Registered CAS-11 Memory Kit	672631-B21
Unbuffered with ECC DIMMs (UDIMMs)	
NOTE: The following memory is supported by the E5-2400v2 series Processors.	
HP 2GB (1x2GB) Single Rank x8 PC3L-12800E (DDR3-1600) Unbuffered CAS-11 Low Voltage Memory Kit	713975-B21
HP 4GB (1x4GB) Dual Rank x8 PC3L-12800E (DDR3-1600) Unbuffered CAS-11 Low Voltage Memory Kit	713977-B21
HP 8GB (1x8GB) Dual Rank x8 PC3L-12800E (DDR3-1600) Unbuffered CAS-11 Low Voltage Memory Kit	713979-B21
Unbuffered with ECC DIMMs (UDIMMs)	
NOTE: The following memory is supported by the E5-2400 series Processors.	
HP 2GB (1x2GB) Single Rank x8 PC3-12800E (DDR3-1600) Unbuffered CAS-11 Memory Kit	669320-B21
HP 2GB (1x2GB) Single Rank x8 PC3L-10600E (DDR3-1333) Unbuffered CAS-9 Low Voltage Memory Kit	647905-B21
HP 4GB (1x4GB) Dual Rank x8 PC3-12800E (DDR3-1600) Unbuffered CAS-11 Memory Kit	669322-B21
HP 4GB (1x4GB) Dual Rank x8 PC3L-10600E (DDR3-1333) Unbuffered CAS-9 Low Voltage Memory Kit	647907-B21
HP 8GB (1x8GB) Dual Rank x8 PC3-12800E (DDR3-1600) Unbuffered CAS-11 Memory Kit	669324-B21
HP 8GB (1x8GB) Dual Rank x8 PC3L-10600E (DDR3-1333) Unbuffered CAS-9 Low Voltage Memory Kit	647909-B21
Load Reduced DIMMs (LRDIMMs)	
NOTE: The following memory is supported by the E5-2400v2 series Processors.	
HP 32GB (1x32GB) Quad Rank x4 PC3-14900L (DDR3-1866) Load Reduced CAS-13 Memory Kit	708643-B21
Load Reduced DIMMs (LRDIMMs)	
NOTE: The following memory is supported by the E5-2400 series Processors.	
HP 32GB (1x32GB) Quad Rank x4 PC3L-10600L (DDR3-1333) Load Reduced CAS-9 Low Voltage Memory Kit	647903-B21
NOTE: Depending on the memory configuration and processor model, 1866MHz, 1600MHz and 1333MHz memory may operate at a lower speed. Please see the "Memory" section in this document and the Online Memory Configuration Tool for details at: http://www.hp.com/go/ddr3memory-configurator.	

QuickSpecs

Storage



1-2 2 x SFF hot-plug SAS, SATA, SAS SDD, and SATA SSD hard drives

QuickSpecs

Technical Specifications

System Unit	Dimensions (H x W x D) (with bezel)	7.11 x 2.18 x 20.37 in (18.07 x 5.54 x 51.76 cm)
	Weight (approximate)	<p>Maximum: all processors, 12 DIMMs, hard drives, mezzanine cards, and two flash cache batteries installed) 14.00 lb (6.33 kg)</p> <p>Minimum: one processor and 2 DIMMs installed 10.50 lb (4.75 kg)</p>
	Power Specifications	<p>For power specifications including input requirements, BTU rating, and power supply output, please see the:</p> <ul style="list-style-type: none"> • HPE BladeSystem c3000 Enclosure QuickSpecs at http://h18000.www1.hp.com/products/QuickSpecs/12790_na/12790_na.html • HPE BladeSystem c7000 Enclosure QuickSpecs at http://h18000.www1.hp.com/products/QuickSpecs/12810_na/12810_na.html <p>NOTE: For optimal cooling and system performance the BL420c Gen8 requires the c7000 enclosure to be configured with 10 fans and the c3000 enclosure to be configured with 6 fans.</p>
	System Inlet Temperature	<p>To review typical system power ratings use the HPE Power Advisor which is available via the online tool located at: http://www.hp.com/go/hppoweradvisor.</p> <p>Operating 10° to 35°C (50° to 95°F) at sea level with an altitude derating of 1.0°C per every 305 m (1.8°F per every 1,000 ft) above sea level to a maximum of 3,050 m (10,000 ft), no direct sustained sunlight. Maximum rate of change is 10°C/hr (18°F/hr). The upper limit may be limited by the type and number of options installed. System performance may be reduced if operating with a fan fault or above 30°C (86°F).</p> <p>Non-operating -30° to 60°C (-22° to 140°F). Maximum rate of change is 20°C/hr (36°F/hr).</p>
	Relative Humidity (non-condensing)	<p>Operating 10 to 90% relative humidity (Rh), 28°C (82.4°F) maximum wet bulb temperature, non-condensing.</p> <p>Non-operating 5 to 95% relative humidity (Rh), 38.7°C (101.7°F) maximum wet bulb temperature, non-condensing.</p>
	Altitude	<p>Operating 3,050 m (10,000 ft). This value may be limited by the type and number of options installed. Maximum allowable altitude change rate is 457 m/min (1,500 ft/min).</p> <p>Non-operating 9,144 m (30,000 ft). Maximum allowable altitude change rate is 457 m/min (1,500 ft/min).</p>
	Acoustic Noise	For acoustic noise specifications, please see the HPE BladeSystem c-Class Enclosures

QuickSpecs

Technical Specifications

QuickSpecs located at:

HPE BladeSystem c3000 Enclosure QuickSpecs:

http://h18000.www1.hp.com/products/QuickSpecs/12790_na/12790_na.html

HPE BladeSystem c7000 Enclosure QuickSpecs:

http://h18000.www1.hp.com/products/QuickSpecs/12810_na/12810_na.html

HPE Smart Array P220i Controller	Disk Drive Interface	6Gb/s SAS (Serial Attached SCSI)
	Server Interface	x4 PCI Express host interface
	Cache Memory	512MB flash backed write cache (FBWC) cache standard
	Logical Drives Supported	64 (with included 512MB cache)
	Host Memory Addressing	64-bit, supporting servers memory space greater than 4GB
	RAID Support	RAID 1 (mirroring) and RAID 0 (striping)
	Other	Upgradeable firmware with recovery ROM Online drive flash (with SAS drives)
HPE Dynamic Smart Array B320i Controller	Dimensions	Embedded
	Disk Drive Interface - Transfer rate	Up to 6Gb/s SAS (Serial Attached SCSI) Up to 6Gb/s SATA (Serial ATA)
	Connectors	2 internal 4X connectors
	Server Interface	x8 PCIe 3.0 provides 8GB/s maximum bandwidth
	Speed	8 6Gb/s SAS links provide 4.8GB/s maximum bandwidth
	Cache Memory	Zero Memory RAID has no cache memory optional 40-bit 512MB ECC protected Flash Backed Write Cache (FBWC)
	Logical Drives Supported	Zero Memory, Up to 2 logical volumes (8 physical drives) Up to 64 logical drives with cache
	Host Memory Addressing	64-bit, supporting greater than 4GB server memory space
	Hot Plug Support	Yes
	RAID Support	RAID 0 (Striping), RAID 1 (Mirroring) RAID 1+0 (Striping & Mirroring) RAID 5 with optional 512MB FBWC
		NOTE: 512 MB cache is required to enable RAID 5 support
HPE FlexFabric 10Gb 2-port 554FLB FlexibleLOM	Type	Integrated dual-port KR 10Gb FlexibleLOM with FlexFabric (Flex-10, FCoE, hardware-based iSCSI, iSCSI boot, TCP/IP offload engine, and autosensing 1Gb/10Gb Ethernet capability)
	Network Processor	Emulex BE3
	Data Transfer Method	x8 PCIe 2.0
	Network Transfer Rate	Two ports, each at 20Gbps full duplex; 40Gbps aggregate full duplex theoretical bandwidth

Technical Specifications

NOTE: Each port is autosensing 1Gb/10Gb, and can interoperate with 1Gb HPE BladeSystem c-Class interconnect components. Both ports will operate at the same speed.

NOTE: Each port on the 554FLB adapter transmits from the server at 20Gbps (theoretical) full duplex.

IEEE Compliance	802.1p, 802.1q, 802.1qau, 802.3ad, 802.3ae, 802.3ap (10GBase-KX4) and 802.3x
Standard Features	ProLiant Teaming including Network Fault Tolerance, Transmit Load Balancing, and Switch-Assisted Load Balancing 9K Jumbo frames (4K Jumbo frames when in FCoE mode) Microsoft Windows Receive Side Scaling (RSS) Hardware-based accelerated iSCSI iSCSI boot Flex-10 capability Fibre Channel over Ethernet (FCoE) TCP/IP offload engine (stateless TCP/IP) Autosensing 1Gb/10Gb Ethernet

HPE Ethernet 1Gb 2-port 361FLB Adapter	Type	Dual port 1Gb Ethernet FlexibleLOM
	Network Processor	Intel I350 Ethernet Controller
	Data Transfer Method	x4 PCIe 2.0
	Network Transfer Rate	Two ports, each at 1000 Mbps full duplex (theoretical maximum) NOTE: The 361FLB adapter transmits from the server at only 1 Gbps full duplex per port.
	IEEE Compliance	802.1p, 802.1Q, 802.3, 802.3ad, and 802.3x, IEEE1588, 802.1AS
	Standard Features	ProLiant Teaming including Network Fault Tolerance, Transmit Load Balancing, and Switch-Assisted Load Balancing TCP/IP checksum offloading large send offloading Wake-on-LAN jumbo frames PXE VLAN tagging Virtualization IEEE 1588, DMA Coalescing HPE Sea of Sensors 3-D Technology

Environment-friendly Products and Approach	End-of-life Management and Recycling	Hewlett Packard Enterprise offers end-of-life Hewlett Packard Enterprise product return, trade-in, and recycling programs in many geographic areas. For trade-in information, please go to: http://www.hp.com/go/green . To recycle your product, please go to: http://www.hp.com/go/green or contact your nearest Hewlett Packard Enterprise sales office. Products returned to Hewlett Packard Enterprise will be recycled, recovered or disposed of in a responsible manner. The EU WEEE directive (2002/95/EC) requires manufacturers to provide treatment information for each product type for use by treatment facilities. This information (product disassembly instructions) is posted on the Hewlett Packard Enterprise web site at: http://www.hp.com/go/green . These instructions may be used by recyclers and other WEEE treatment facilities as well as Hewlett Packard Enterprise OEM customers who integrate and re-sell Hewlett Packard Enterprise equipment.
---------------------------------------------------	---------------------------------------------	---------------------------------------------------------------------------------------------------------------------------------------------------------------------------------------------------------------------------------------------------------------------------------------------------------------------------------------------------------------------------------------------------------------------------------------------------------------------------------------------------------------------------------------------------------------------------------------------------------------------------------------------------------------------------------------------------------------------------------------------------------------------------------------------------------------------------------------------------------------------------------------------------------------------------------------------------------------------------------------------------------------------------------------------------------------------------------------------------------------

QuickSpecs

Summary of Changes

Date	Version History	Action	Description of Change
11-Dec-2015	From Version 31 to 32	Added	SKUs added in Core Options and Additional Options section: 816562-B21, 816568-B21, 816572-B21, 816576-B21, 822555-B21, 822559-B21, 822563-B21, 822567-B21, P9A13A, P9A13AAE, P9A14A, P9A14AAE, P9A15A, P9A15AAE, P9A16A, P9A16AAE, P9A17A, P9A17AAE, P9A18A, P9A18AAE
		Changed	Memory, Additional Options, Core Options, Configuration Information – Factory Integrated Models sections were updated.
		Removed	Obsolete SKU deleted: 789155-B21, E5Y38A, E5Y39AAE, 667372-B21, 667373-B21, 667423-B21, 667374-B21, 667375-B21, 667424-B21, 667376-B21, 667421-B21, 667422-B21.
28-Sep-2015	From Version 30 to 31	Changed	Core Options section and links were updated.
		Added	SKUs added in OneView: P8B24A, P8B26AAE, P8B31A
		Removed	Obsolete SKUs were deleted: F6Q89AAE, 741155-B21
17-Aug-2015	From Version 29 to 30	Changed	Standard Features Sections was updated.
		Added	SKUs added in Additional Options and Core Options sections: C9A82AAE, 804677-B21, 804671-B21, 804665-B21, 804639-B21, 804631-B21, 804625-B21, 832414-B21, 804613-B21, 804605-B21, 804599-B21, 804593-B21, 804587-B21, 804581-B21, 804575-B21
		Removed	Obsolete SKUs deleted: U6W98E
01-Jun-2015	From Version 28 to 29	Added	SKUs added in Core Options section: 748387-B21, 791034-B21
		Removed	Obsolete SKUs removed: 741159-B21, 741151-B21
30-Mar-2015	From Version 27 to 28	Added	SKUs Added: 802578-B21, 802582-B21, 802586-B21, 802891-B21, 765453-B21, 765455-B21, 765464-B21, 781518-B21, 765466-B21, 789135-B21, 789145-B21, 789155-B21, 794603-B21, 785069-B21, 781516-B21, 785067-B21
		Removed	Obsolete SKUs deleted: 741146-B21, 741138-B21, 741142-B21
09-Feb-2015	From Version 26 to 27	Changed	Service and Support section was updated
		Added	HDD SSD 6G and 12G: 779164-B21, 779168-B21, 779172-B21, 779176-B21, 764923-B21, 764925-B21, 764927-B21, 764929-B21
		Removed	Obsolete SKUs removed: 668356-B21, 668357-B21, 668358-B21, 668359-B21, 667372-L21, 667373-L21, 667423-L21, 667374-L21, 667375-L21, 667424-L21, 667376-L21, 667421-L21, 667422-L21
01-Dec-2014	From Version 25 to 26	Changed	Core Options and Additional Options sections were updated
		Added	SKU Added on Hard Drives:

QuickSpecs

Summary of Changes

			757339-B21 756601-B21
		Removed	Obsolete SKUs deleted: 653078-B21
01-Nov-2014	From Version 24 to 25	Changed	Service and Support section was updated
10-Oct-2014	From Version 23 to 24	Changed	Standard Features section was updated
		Removed	Expansion Blade Support section deleted from Optional Features HPE Ultrium Tape Blades, HPE Storage Blades and HPE Expansion Blade sections deleted from Additional Options
29-Sep-2014	From Version 22 to 23	Added	SKUs added on HPE Hard Drives: 764929-B21, 764927-B21, 764925-B21, 764923-B21, 756657-B21, 756636-B21, 756621-B21
18-Aug-2014	From Version 21 to 22	Changed	Maximum Internal Storage on Standard Features, Models, Core Options sections were updated
		Added	SKUs Added on Hard Drives: 759212-B21, 759210-B21, 759208-B21
10-Jun-2014	From Version 20 to 21	Changed	Overview, Standard Features, Preconfigured Models, Configuration Information, Core Option sections were updated
		Removed	HPE Flash Media Kits for USB Drives was removed from Additional Options
31-Mar-2014	From Version 19 to 20	Changed	Hot Plug SFF SAS maximum internal storage was increased to 2.4TB Processor, Memory, Hard Drive, HPE iLO Advanced and HPE InfiniBand Mezzanines product descriptions were revised HPE Insight Control server deployment was removed from HPE Insight Software
18-Feb-2014	From Version 18 to 19	Changed	Processors, Memory, Converged Infrastructure Management Software, and HPE InfiniBand Mezzanine Options were revised.
22-Jan-2014	From Version 17 to 18	Changed	The link in the Note was corrected in the Standard Features/ Upgradeability section.
17-Jan-2014	From Version 16 to 17	Changed	The Note in the Standard Features/ Upgradeability section was updated.
09-Jan-2014	From Version 15 to 16	Changed	The Processors and Memory sections were revised throughout the QuickSpecs.
13-Dec-2013	From Version 14 to 15	Added	Added the following: Support for HPE OneView Licenses Support for HPE 600GB 6G SATA Value Endurance SFF 2.5-in SC Enterprise Boot 3yr Wty Solid State Drive Support for HPE 300GB 6G SATA Value Endurance SFF 2.5-in SC Enterprise Boot 3yr Wty Solid State Drive
13-Sep-2013	From Version 13 to 14	Changed	HPE Insight Software Management, High Performance Clusters, Memory, HPE Networking, Hard Drives, and Storage Controllers were revised.
10-Jun-2013	From Version 12 to 13	Changed	HPE 2GB and 4GB Single Rack Unbuffered Memory and Storage Controller product description were revised.
13-May-2013	From Version 11 to 12	Changed	Additional Options: updated the HPE InfiniBand Mezzanines and HPE Care Pack Services sections.
25-Mar-2013	From Version 10 to 11	Changed	Optional Features: Updated Hyperlink in the HPE Proactive Insight experience section.
		Added	Standard Features: Added Notes to At A Glance section. Configuration Information - Factory Integrated Models: Added Notes to Step 4

Summary of Changes

		Removed	Removed Platinum reference from entire QS
01-Mar-2013	From Version 9 to 10	Added	Core Options: Added p/n 665246-B21
25-Feb-2013	From Version 8 to 9	Changed	Changes made in the following sections: Standard Features: Maximum Internal Storage, HPE Insight management software, Models, Core Options: HPE Networking and Hard Drives, Additional Options: HPE Insight software and Storage
		Added	What's New section Added Step 3 to Configuration Information.
18-Jan-2013	From Version 7 to 8	Changed	Memory descriptions were updated throughout the QuickSpecs.
		Added	Added Notes to the HPE I/O Accelerator Options section.
05-Dec-2012	From Version 6 to 7	Changed	Changes made to the Standard Features, Configuration Information, Options, Memory and Storage sections.
19-Oct-2012	From Version 5 to 6	Changed	Change was made to SKU description in Additional Options section.
28-Sep-2012	From Version 4 to 5	Changed	Changes were made in Standard Features and Additional Options sections.
24-Sep-2012	From Version 3 to 4	Changed	Changes were made in Standard Features, Optional Features and Additional Options sections.
13-Aug-2012	From Version 2 to 3	Changed	Changes made in Overview, Configuration Information, Core Options, Additional Options and Memory sections.
20-Jul-2012	From Version 1 to 2	Changed	Changes made in the Memory section only.



Sign up for updates

★ Rate this document

© Copyright 2015 Hewlett Packard Enterprise Development LP. The information contained herein is subject to change without notice. The only warranties for Hewlett Packard Enterprise products and services are set forth in the express warranty statements accompanying such products and services. Nothing herein should be construed as constituting an additional warranty. Hewlett Packard Enterprise shall not be liable for technical or editorial errors or omissions contained herein.

Microsoft and Windows NT are US registered trademarks of Microsoft Corporation. Intel, the Intel logo, Xeon and Xeon Inside are trademarks of Intel Corporation in the U.S. and other countries.

For hard drives, 1GB = 1 billion bytes. Actual formatted capacity is less.

c04128169 - 14324 - North America - V32 - 11-December-2015

