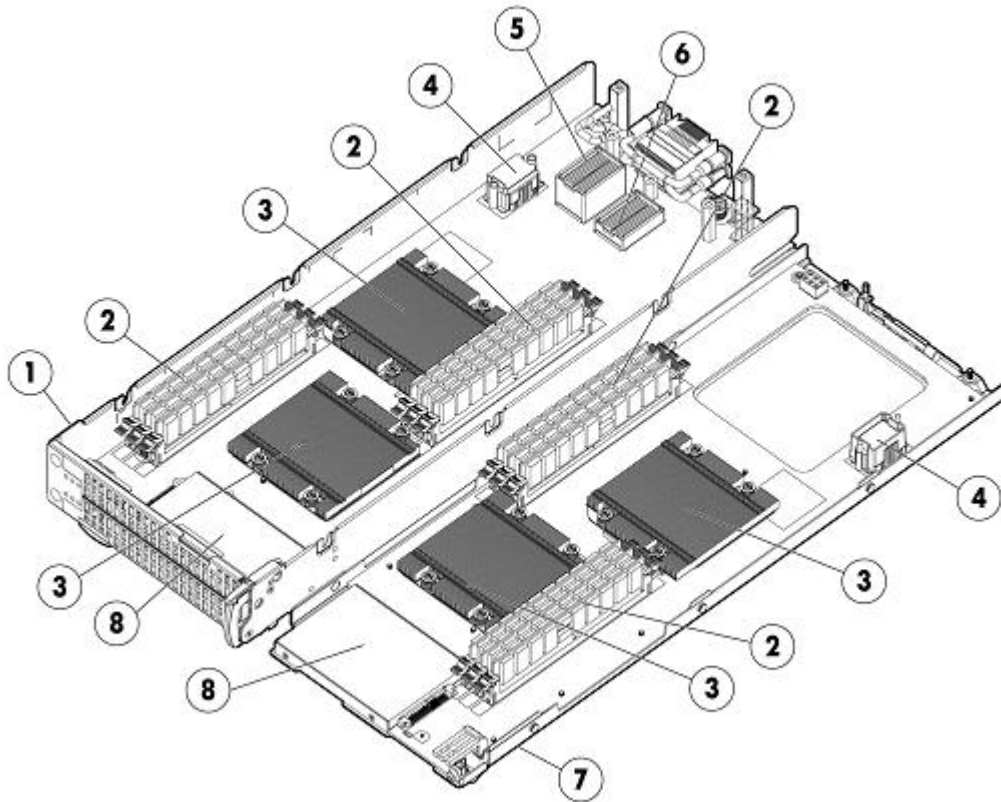


Overview



HP ProLiant BL2x220c Generation 6 (G6) Server Blade

- | | |
|--|--|
| 1. Server A | 5. Local I/O connection |
| 2. Six (6) PC3-10600 (DDR3) Registered or Unbuffered DIMM Memory Slots | 6. Local I/O connection |
| 3. Two (2) Intel® Xeon® 5500 series processors | 7. Server B |
| 4. Server Interconnection | 8. Two (2) small form factor (SFF) non-hot plug drive bays |

At A Glance

This document covers the HP ProLiant BL2x220c G6 server blade only. For more information on HP BladeSystems c-Class Enclosures and HP BladeSystem c-Class Interconnect Components, please see the following QuickSpecs:

HP BladeSystem c-Class c7000 Enclosure QuickSpecs:

http://h18004.www1.hp.com/products/quickspecs/12810_div/12810_div.html

HP BladeSystem c-Class Interconnect Components QuickSpecs:

http://h18000.www1.hp.com/products/quickspecs/12524_div/12524_div.html

The HP ProLiant BL2x220c provides maximum 2-socket x86 server blade density with benchmark leading power efficiency. HP ProLiant BL2x220c server blade includes 2 server nodes per blade providing up to 256 processor sockets/1024 processor cores in 40U of rack space. All specifications listed per node (2 nodes per blade chassis).

HP ProLiant BL2x220c G6 includes:

Overview

- **Processor:**
 - Up to two (2) Intel® Xeon® 5500 Series processors, up to 2.53 GHz
- Intel® 5500 chipset
- **Memory:**
 - Six (6) DIMM slots
 - Up to 96GB memory with PC3-10600 or PC3-8500 (DDR3-1333) Registered DIMMs, or up to 24GB memory with PC3-10600 (DDR3-1333) Unbuffered DIMMs
 - Advanced ECC memory support
- **Internal Drive Support:**
 - 1 non-hot plug small form factor SATA drive (120GB or 250GB)
 - 1 non-hot plug small form factor Solid State Drive (SSD) (32GB or 64GB)
- **Network Controller:**
 - Embedded Dual-port NC362i Gigabit Server Adapter
 - Additional Ethernet adapter ports available via the mezzanine expansion slot
 - One (1) additional 10/100 network adapter dedicated to iLO 2 Management
- **Mezzanine Support:**
 - One (1) I/O expansion slot per server node via mezzanine card (Type I only)
 - Fibre Channel Mezzanine options for SAN connectivity (Choice of Emulex or QLogic)
 - Ethernet adapter Mezzanine options for additional network ports
 - InfiniBand (IB) Mezzanine 4X QDR (40Gbps) and DDR (20Gbps) options for low latency and high bandwidth server interconnectivity
- **Internal USB Support:**
 - One (1) internal USB 2.0 connector for security key devices and USB drive keys
 - One (1) optional internal SD-HC card slot
NOTE: Internal USB 2.0 not available when SD-HC card slot option is installed
 - **Form Factor:**
 - Half height c-Class Server Blade
- **Infrastructure Management:**
 - HP ProLiant Onboard Administrator (powered by the HP Integrated Lights-Out 2 management processor) for simplified server setup, health monitoring and recovery, power and thermal control, and lights-out remote administration.
 - HP Insight Control, as product options, deliver essential infrastructure management that can help save time and money by making it easy to deploy, monitor, control and optimize your IT infrastructure through a single, simple management console. Insight Control support both Windows and Linux-based central management server
 - HP Insight Dynamics for ProLiant servers, a product option, is an integrated command center that enables you to continuously analyze and optimize your adaptive infrastructure. This advanced infrastructure management software lets you reduce the cost of common data center tasks by as much as 40 percent while keeping pace with your changing business.
- **Operating Systems:**
 - Supports Windows, Linux, Solaris, Citrix XenServer and VMware Operating Systems
- **Enclosures:**
 - The BL2x220c G6 supports the following enclosure:
 - The HP BladeSystem c7000 rack enclosure is 10U high and holds up to 16 ProLiant BL2x220c Blades (32 server nodes) plugged vertically.
NOTE: Ten (10) fans are required in the c7000 enclosure.
NOTE: The BL2x220c G6 is not supported in the c3000 enclosure.
 - Server blades, storage blades, interconnect modules, power supplies, fans, and redundant Onboard Administrator modules are all designed to fit into the c7000 enclosures.
 - For additional enclosure information, please see:
<http://h18004.www1.hp.com/products/blades/components/enclosures/c-class/index.html>
- **Warranty:**
 - This product is covered by a global limited warranty and supported by HP Services and a worldwide network of HP Authorized Channel Partners. Hardware diagnostic support and repair is available for one year from date of purchase.

Overview

Support for software and initial setup is available for 90 days from date of purchase. Enhancements to warranty services are available through HP Care Pack services or customized service agreements. Hard drives have either a one year or three year warranty; refer to the specific hard drive QuickSpecs for details.

NOTE: Server Warranty includes 3 year Next Day Parts replacement, 0-Years Labor, 0-Years Onsite support.

Additional information regarding worldwide limited warranty and technical support is available at:

<http://h18004.www1.hp.com/products/servers/platforms/warranty/index.html>.

Standard Features

Processor	Intel® Xeon® processor HP 2x220c G6 E5540 (2.53 GHz, 8MB L3 Cache, 80W, DDR3-1066, HT, Turbo 1/1/2/2)
	Intel® Xeon® processor HP 2x220c G6 E5530 (2.40 GHz, 8MB L3 Cache, 80W, DDR3-1066, HT, Turbo 1/1/2/2)
	Intel® Xeon® processor HP 2x220c G6 E5506 (2.13 GHz, 4MB L3 Cache, 80W, DDR3-800)
	Intel® Xeon® processor HP 2x220c G6 L5530 (2.40 GHz, 8MB L3 cache, 60W, DDR-31066, HT, Turbo 1/1/2/2)
	Intel® Xeon® processor HP 2x220c G6 L5520 (2.26 GHz, 8MB L3 Cache, 60W, DDR3-1066, HT, Turbo 1/1/2/2)
	Intel® Xeon® processor HP 2x220c G6 L5506 (2.13 GHz, 4MB L3 Cache, 60W, DDR3-800)

NOTE: HT indicates that the processor model supports Intel® Hyper-Threading Technology.
NOTE: Turbo indicates the maximum potential frequency increment when using Intel® Turbo Boost Technology, with 4, 3, 2, and 1 cores active.
NOTE: DDR3 speed is the maximum memory speed of the processor. Actual memory speed may depend on the quantity and type of DIMMs installed.
NOTE: For the Intel 5500 Series, the letter preceding the model number indicates the performance/wattage of the processor. "X" denotes High Performance/Wattage; "E" denotes Enterprise Performance/Wattage (Mainstream); and "L" denotes Lower Wattage.

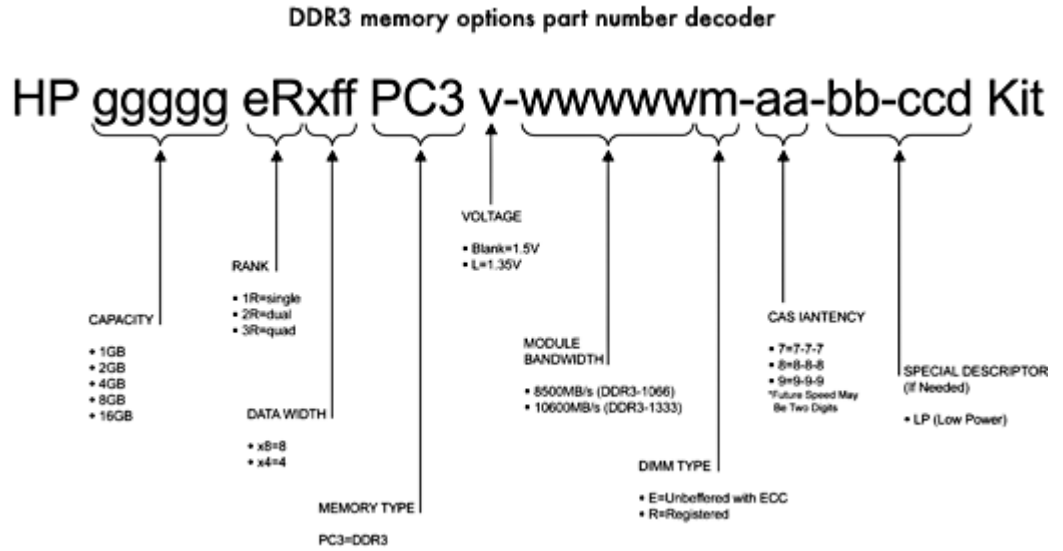
Upgradeability	2 processors per server node standard
-----------------------	---------------------------------------

Cache Memory	4MB or 8MB shared L3 cache
---------------------	----------------------------

Chipset	Intel® 5500 chipset
----------------	---------------------

Memory	Type	PC3-10600 (DDR3-1333) Registered or Unbuffered DIMMS
	Standard	24 GB (6 x 4GB) per server node
	Maximum (RDIMM)	96 GB (6 x 16GB) per server node
	Maximum (UDIMM)	12 GB (6 x 2GB) per server node

Standard Features



Network Controller Embedded NC362i Dual Port Gigabit Server Adapter
One (1) additional 10/100 network adapter dedicated to iLO 2 Management per server node

I/O Expansion Slots One (1) I/O expansion mezzanine slot (x8 PCI Express Gen 2) per server node

Integrated Manageability ProLiant Onboard Administrator (powered by the Integrated Lights-Out 2 management processor)

Storage Controller HP Embedded SATA Controller

Maximum Internal Storage	Non-Hot Plug Serial ATA 250GB SATA	1 x 250GB Serial ATA
	(SATA)	(Per server node)
	Non-Hot Plug SSD (SATA) 64GB SATA	1 x 64GB SATA
		(Per server node)

Graphics Integrated ATI RN-50, 32 MB video memory

Standard Features

Graphics Resolution Supported	Resolution	Color	Depths
			1600x1280, 64K, 256, 16
			1280 x 1024, 16.7M, 64k, 256, 16
			1024 x 768, 16.7M, 64k, 256, 16
			800 x 600, 16.7M, 64k, 256, 16

			640 x 480, 16.7M, 64k, 256, 16
--	--	--	--------------------------------

NOTE: Maximum resolution available via ProLiant Onboard Administrator remote console is 1280 x 1024.

Partner Blade Support Partner blades such as the PCI Expansion Blade, Tape Blade and SB40c are not supported on the BL2x220c.

Onboard Administrator The BL2x220c is supported with Onboard Administrator firmware version 2.60 or later. This firmware release may also require other subsystem firmware upgrades please consult <http://h18004.www1.hp.com/products/ blades/ components/ c-class-compmatrix.html> for more information.

Fibre Channel Support One optional Fibre Channel HBA is supported per node by the HP ProLiant BL2x220c. Mezzanine circuit boards connect directly to the server blade system board. Fibre Channel HBAs are available via option kits and must be ordered separately.

HBA mezzanine option kits:

Emulex LPe1105-HP 4Gb FC HBA (403621-B21)

- Based on the same field-proven ASIC, firmware, and driver technology as Emulex's renowned LPe1150 HBA, the Emulex LPe1105-HP is fully driver compatible with all Emulex HBAs

QLogic QMH2462 4Gb FC HBA (403619-B21)

- Uses common drivers which means that customers can standardize on one QLogic driver whether they are using the QMH2462 or other HBAs powered by QLogic

Emulex and QLogic Fibre Channel HBAs feature:

- Optimal performance utilizing PCI Express
- 4/2/1Gb/s auto negotiating speeds (4 Gb HBAs)
- Dual-ports for redundant path connections
- Up to two FC HBAs per server blade providing redundant FC HBA support
- Optimized for HP StorageWorks and supported by third party SAN vendors
- Support for Microsoft® Windows® and Linux operating systems environments

Compatible SAN HP ProLiant BL2x220c server blades are optimized for HP StorageWorks MSA, EVA and XP

HP ProLiant BL2x220c server blades are compatible with select 3rd party SANs (please see blade storage page for more details: <http://h18000.www1.hp.com/products/servers/proliant-bl/c-class/storage.html>)

Standard Features

HP Insight management software	HP Insight Foundation	Managing the growing number of servers can be complex and expensive for your organization. IT managers need to address changing business needs with tools that meet the challenges of managing today's complex Datacenters.
		HP provides management solutions that are designed to simplify a server's installation, configuration and maintenance throughout the entire server lifecycle. This provides the customer with higher levels of operational efficiency and highly reliable systems: www.hp.com/go/foundation .
		The foundation pack includes:
		<ul style="list-style-type: none">● HP SmartStart● HP Management● HP ProLiant Firmware Maintenance
		SmartStart version supported (minimum): SmartStart 8.30 http://www.hp.com/servers/smartstart
	ProLiant Onboard Administrator	HP ProLiant Onboard Administrator (powered by the HP Integrated Lights-Out 2 management processor) simplifies server setup, health monitoring, power and thermal control, and lights-out remote administration of ProLiant ML, DL, and BL servers. HP ProLiant Onboard Administrator functions without additional software, and can be accessed from any location via a web browser. It works hand-in-hand with HP Systems Insight Manager, Insight Control suites, and the Insight Dynamics-VSE suite helping customers unlock the value of the ProLiant platform and deliver the highest possible quality of IT service to the business. See: www.hp.com/go/ProLiantOA
	HP Insight Control	HP Insight Control, as product options, deliver essential infrastructure management that can help save time and money by making it easy to deploy, monitor, remote control, and optimize your IT infrastructure through a single, simple management console. Insight Control installs and licenses software modules that are integrated into HP System Insight Manager.
		Two Insight Control suites are available, to serve environments requiring either a Linux-based or a Windows-based central management server: HP Insight Control for Linux, and HP Insight Control. See www.hp.com/go/insightcontrol
		HP Insight Control include one year of 24 x 7 HP Software Technical Support and Update Service ensuring rapid access to HP support staff and proactive delivery of software updates. For more information about this service, please visit: http://www.hp.com/services/insight .
	HP Insight Dynamics	HP Insight Dynamics for ProLiant, a product option, is an integrated command center that enables you to continuously analyze and optimize your adaptive infrastructure. This advanced infrastructure management software that allows you to analyze and optimize your adaptive infrastructure to manage physical and virtual resources in the same way. HP Insight Dynamics gives you a powerful toolkit to accelerate complex technology projects and simplify daily operations. It enables you to plan capacity and power continuously, balance across physical and virtual resources, ensure cost-

Standard Features

effective high availability and provision infrastructure consistently.

HP Insight Dynamics infrastructure orchestration enables IT organizations to provision infrastructure consistently and automatically from pools of shared resources using a self-service portal. Resources provisioned can range from a single virtual machine to complex multi-tier environments and their associated physical and virtual resource requirements.

HP Insight Dynamics recovery management enables cost-effective disaster recovery for physical and virtual environments. Application environments can be reactivated in minutes with the touch of a button to a remote location.

NOTE: For more information, visit: <http://www.hp.com/go/insightdynamics>

OS Support

Microsoft Windows Server
Microsoft Windows Server Hyper-V
Red Hat Enterprise Linux (RHEL)
SUSE Linux Enterprise Server (SLES)
Oracle Enterprise Linux (OEL)
Solaris 10 for x86/x64 based Systems
VMware
Citrix XenServer

NOTE: For more information on HP's Certified and Supported ProLiant Servers for OS and Virtualization Software and latest listing of software drivers available for your server, please visit our Support Matrix at: <http://www.hp.com/go/supportos> our driver download page <http://www.hp.com/support/BL2x220cG6>

Availability

- Dual-Port Fibre Channel Mezzanine Card per server node for redundant SAN connection
- Two (2) embedded Gigabit Ethernet adapters per server node for redundant LAN connections
- Advanced ECC Memory - can correct a multi-bit error (up to 4 bits) that occurs within one memory chip
- Network adapter teaming (network fault tolerance, transmit load balancing, switch-assisted load balancing)
- Emergency Recovery ROM

Industry Standard Compliance

ACPI 2.0 Compliant
PCI 2.2 Compliant
WOL Support
Microsoft® Logo certifications
USB 2.0 Support

Security

- Power-on password
- Administrator's password
- Integrated Lights-Out 2 has 12 customizable user accounts and SSL encryption
- Integrated Lights-Out 2 can be disabled via a Global Setting

Standard Features

Factory Express Portfolio for Servers and Storage

HP Factory Express offers configuration, customization, integration and deployment services for HP servers and storage products. Customers can choose how their factory solutions are built, tested, integrated, shipped and deployed.

Factory Express offers service packages for simple configuration, racking, installation, complex configuration and design services as well as individual factory services, such as image loading, asset tagging, and custom packaging. HP products supported through Factory Express include a wide array of servers and storage: HP Integrity, HP ProLiant, HP ProLiant Server Blades, HP BladeSystem, HP 9000 servers as well as the MSAxxx, VA7xxx, EVA, XP, rackable tape libraries and configurable network switches.

For more information on Factory Express services on your specific server model please contact your sales representative or go to: <http://www.hp.com/go/factory-express>.

HP Enterprise Configurator

The HP eConfigure Enterprise Configurator now provides factory default racking for our HP hardware portfolio. This approach is aligned with our strategic direction to meet the needs and expectations of our valued customers. If you require "custom" rack configuration, please contact HP's Customer Business Center or an Authorized Partner for assistance.

Service and Support

Support for software and initial setup is available for 90 days from date of purchase. Additional support may be covered under the warranty or available for an additional fee. Enhancements to warranty services are available through HP Care Pack services or customized service agreements.

HP Care Pack services provide total care and support expertise with committed response designed to meet your IT and business needs.

The HP Care Pack service for HP ProLiant BL c-Class server blades, cover the server blade and all HP branded hardware options qualified for the server, purchased at the same time or afterwards, internal to the server.

To fully capitalize on your HP BladeSystem servers' capabilities requires a service partner who thoroughly understands your server technology and systems environment. HP Services, an industry leader in provision of multi vender support solutions provides a range of support services designed to meet the varying needs of business. Whether an SMB or large global corporation HP has a HP BladeSystem server support offer to help you speedily deploy and maximize system uptime.

Recommended Service - Simplify ProLiant solution implementation, maintenance and management.

- **Support Service** - 4-Hour Response Coverage, 3-Year, 24 x 7, Same Business Day
- **Deployment Service** - Installation and Start Up for HP BladeSystem Infrastructure

Enhanced Service - Optimize service level to increase IT performance and availability

- **Support Service** - HP Proactive BladeSystem Service, 1-Year
- **Deployment Service** - Enhanced Network Installation and Start-up for HP BladeSystem Switches

Installation & Start-Up service for HP BladeSystem Infrastructure plus HP BladeSystem Enhanced Network Installation and Start-UP as per the Customer Description and/or Data Sheet. To be delivered on a scheduled basis 8am-5pm, M-F, excluding HP holidays.

Standard Features

For a complete listing of service offerings and information visit:

<http://www.hp.com/services/blade-system-services>

<http://www.hp.com/go/proliant/carepack>

Models

Quad-Core Models

NOTE: The BL2x220c supports 2 server nodes in each Blade. All options listed are per server node.

HP BL2x220c G6 E5540 24G, 2P, 250GB 576947-B21	Processor(s) Two of the following depending on model	(2) Intel® Xeon® processor HP 2x220c G6 E5540 (2.53 GHz, 8MB L3 Cache, 80W, DDR3-1066, HT, Turbo 1/1/2/2) (2) Intel® Xeon® processor HP 2x220c G6 E5530 (2.40 GHz, 8MB L3 Cache, 80W, DDR3-1066, HT, Turbo 1/1/2/2) (2) Intel® Xeon® processor HP 2x220c G6 L5530 (2.40 GHz, 8MB L3 Cache, 60W, DDR3-1066, HT, Turbo 1/1/2/2)
HP BL2x220c G6 E5530 24G, 2P, 250GB 576948-B21	Cache Memory	8MB L3 cache
HP BL2x220c G6 L5530 24G, 2P, 250GB 576949-B21	Memory	24 GB (6 x 4 GB) PC3-10600 (DDR3-1333) Registered DIMMs NOTE: Actual memory speed is limited by the maximum supported processor memory speed.
	Network Adapter	Embedded NC362i Dual Port Gigabit Server Adapter and one (1) additional 10/100 network adapter dedicated to iLO 2 Management
	Storage Controller	HP Embedded SATA Controller
	Hard Drives	One (1) 250GB SATA Non-Hot Plug Hard Drive
	Internal Storage	SATA: 250GB
	Optical Drive	None
	Form Factor	Up to 16 half-height blades (32 server nodes) supported in HP BladeSystem c7000 Enclosure

Configuration Information - Factory Integrated Models

NOTE: This section lists some of the steps required to configure a Factory Integrated Model. To ensure only valid configurations are ordered, HP recommends the use of an HP approved configurator. Contact your local sales representative for information on CTO product offerings and requirements.

NOTE: HP does not allow factory integration of options into standard models listed above.

Configure-to-order server blades must start with a CTO Blade.

NOTE: FIO indicates that this option is a Factory Installable Option.

Step 1: Base Server Blade Configuration (Select CTO Blade, Server A and Server B)

Models	HP BL2x220c G6 CTO Blade	576951-B21
	HP BL2x220c G6 CTO Server A	576952-B21
	HP BL2x220c G6 CTO Server B	576953-B21

NOTE: When ordering a BL2x220c all three parts CTO Blade, Server A and Server B must be included on the order. The Server A and Server B blades allow for configuration of each server node with CPUs, Memory and other options. It is not possible to order any of these 3 parts independently.

Configurable Model ships with:

Embedded 1GbE NC362i Dual-port Gigabit Server Adapter per server node plus one (1) additional 10/100 network adapter dedicated to iLO 2 Management
Integrated Lights-Out 2 Standard Blade Edition per server node

Step 2: Choose Required Options for each server node (one of the following from each list unless otherwise noted):

Processors (2 processors per server node required)	NOTE: Processor kits listed below include 2 processors per kit.	
	Intel® Xeon® processor HP 2x220c G6 E5540 (2.53 GHz, 8MB L3 cache, 80W, 1066)	576964-L21
	Intel® Xeon® processor HP 2x220c G6 E5530 (2.40 GHz, 8MB L3 cache, 80W, 1066)	576965-L21
	Intel® Xeon® processor HP 2x220c G6 E5506 (2.13 GHz, 4MB L3 cache, 80W, 800)	576967-L21
	Intel® Xeon® processor HP 2x220c G6 L5530 (2.40 GHz, 8MB L3 cache, 60W, 1066)	576970-L21
	Intel® Xeon® processor HP 2x220c G6 L5520 (2.26 GHz, 8MB L3 cache, 60W, 1066)	576971-L21
	Intel® Xeon® processor HP 2x220c G6 L5506 (2.13 GHz, 4MB L3 cache, 60W, 800)	576972-L21

Memory (4 DIMMs per server node required)	NOTE: Must choose four memory part numbers below.	
	Registered DIMMs (RDIMMs)	
	HP 2GB 2Rx8 PC3-10600R-9 Kit	500656-B21
	HP 4GB 2Rx4 PC3-10600R-9 Kit	500658-B21
	HP 4GB 4Rx8 PC3-8500R-7 LP Kit	500660-B21
	HP 8GB 2Rx4 PC3-8500R-7 Kit	516423-B21
	HP 16GB 4Rx4 PC3-8500R-7 Kit	500666-B21

Configuration Information - Factory Integrated Models

Unbuffered with ECC DIMMs (UDIMMs)

HP 1GB 1Rx8 PC3 10600E-9 Kit

500668-B21

HP 2GB 2Rx8 PC3 10600E-9 Kit

500670-B21

NOTE: All DDR3 memory option kits consist of one DIMM per kit.

Step 3: Choose Additional Options for Factory Integration (One per server node)

NOTE: For additional options, including server blade enclosures interconnect options and power subsystem options; please see the options section below; or the following QuickSpecs:

HP BladeSystem c-Class Enclosures QuickSpecs:

HP BladeSystem c-Class c7000 Enclosure QuickSpecs:

http://h18004.www1.hp.com/products/quickspecs/12810_div/12810_div.html

and HP BladeSystem c-Class Interconnect Components QuickSpecs:

http://h18000.www1.hp.com/products/quickspecs/12524_div/12524_div.html.

Core Options

Ethernet Mezzanine Options	Gigabit Ethernet Mezzanines	
	HP NC325m PCI Express Quad Port 1Gb Server Adapter for c-Class BladeSystem	416585-B21
	NOTE: If the NC325m is installed in mezzanine slot 1 of a half-height server, connectivity will be provided on 2 of the 4 ports.	
	HP NC326m PCI Express Dual Port 1Gb Server Adapter for c-Class BladeSystem	406771-B21
	HP NC360m Dual Port 1GbE BL-c Adapter	445978-B21
	HP NC364m Quad Port 1GbE BL-c Adapter	447883-B21
	NOTE: If the NC364m is installed in mezzanine slot 1 of a half-height server, connectivity will be provided on only 2 of the 4 ports.	
	HP NC382m Dual Port 1GbE Multifunction BL-c Adapter	453246-B21
	HP BLc QLogic 1GbE iSCSI 2-port Adapter w/VC Kit	488074-B22
	NOTE: The Gigabit Ethernet adapters above transmit from the server at 2000 Mbps, full duplex per port only. For more information, see the "Network Controller" segment in the Standards Features section.	
	10 Gigabit Ethernet Mezzanines	
	HP 10GbE Dual Port Mezzanine Adapter	516936-B21
	HP NC532m Dual Port 10GbE BL-c Adapter	467799-B21
	NOTE: The NC532m network adapter card is required for each server blade connecting to a 10Gb interconnect in bays 3-8 (HP BladeSystem c7000 Enclosure).	
	NOTE: The NC532m requires a minimum of 2 GB of server memory.	
	NOTE: The NC532m supports linking at 1000Mbps or 10000Mbps when not connected to a Flex-10 enabled module and will link with all current 1Gb switches at 1Gb.	
	HP BLc NC542m 10GbE KR Dual Port Adapter	539857-B21
Fibre Channel Mezzanine Options	4Gb Fibre Channel Mezzanine Cards	
	Emulex LPe1105 FC Dual Channel 4Gb, PCI-E-to-Fibre Channel Host Bus Adapter	403621-B21
	QLogic QMH2462 4Gb FC HBA for HP c-Class BladeSystem	403619-B21
Memory	Registered DIMMs (RDIMMs)	
	HP 2GB 2Rx8 PC3-10600R-9 Kit	500656-B21
	HP 4GB 2Rx4 PC3-10600R-9 Kit	500658-B21
	HP 4GB 4Rx8 PC3-8500R-7 LP Kit	500660-B21
	HP 8GB 2Rx4 PC3-8500R-7 Kit	516423-B21
	HP 16GB 4Rx4 PC3-8500R-7 Kit	500666-B21
	Unbuffered with ECC DIMMs (UDIMMs)	
	HP 1GB 1Rx8 PC3-10600E-9 Kit	500668-B21
	HP 2GB 2Rx8 PC3-0600E-9 Kit	500670-B21
	NOTE: All DDR3 memory option kits consist of one DIMM per kit.	
NOTE: Kits described as LP include Low Power DIMMs. For more information on ProLiant Energy Efficient Features, see: www.hp.com/go/proliant-energy-efficient .		

Core Options

Hard Drive

NOTE: The components of a storage subsystem (e.g. the drive, the HBA/controller, and the server backplane) should operate at the same data transfer rate or the system bandwidth will be negotiated down to an acceptable level for all components.

NOTE: Hard drives have either a one year or three year warranty; refer to the specific hard drive QuickSpecs for details.

SATA Non-Hot Plug Solid State Drive (SSD)

HP 64GB 1.5G SATA NHP SFF SP ENT SSD 461203-B21

HP 32GB 1.5G SATA NHP SFF SP ENT SSD 461201-B21

NOTE: One per server node.

SATA Non-Hot Plug SFF Entry (ETY) Disk Drives

HP 250GB 3G SATA 5.4K NHP SFF ETY HDD 460357-B21

HP 120GB 1.5G SATA 5.4K NHP SFF ETY HDD 459357-B21

NOTE: One per server node.

Unique Options

HP BL2x220c SD CARD READER KIT 584518-B21

Additional Options

HP Insight software

HP Insight Control

HP Insight Control, Electronic License, including 1 year of 24x7 Technical Support and Updates, Electronic

T9074BAE

NOTE: Electronic and Flexible-Quantity licenses can be used to purchase multiple licenses with a single activation key.

NOTE: Electronic software is available in all countries except China and Japan. Customers in China and Japan should order the physical equivalent.

NOTE: Customer will receive a license entitlement certificate. The license entitlement certificate must be redeemed online or via fax in order to obtain the license activation key(s). Includes one year of 24 x 7 HP Software Technical Support and Update Service.

NOTE: Licenses ship without media. The Insight Software Media Kit can be ordered separately, or can be downloaded at: <http://www.hp.com/go/insightcontrol> (click on Download button).

NOTE: For additional license options please see the Insight Control QuickSpecs at: http://h18000.www1.hp.com/products/quickspecs/12631_div/12631_div.html

HP Insight Software Media Kit

436222-B21

NOTE: Insight Software DVD media without licenses. Contains Insight software licensed by Insight Control and Insight Dynamics. Uses an integrated installer to perform quick and accurate software installation and updates.

HP Insight Control for Linux

HP Insight Control for Linux, 1-server license, including one year of 24x7 Technical Support and Updates, Electronic

T9084BAE

HP Insight Control for Linux, No Media, 1-Server license, including one year of 24x7 Technical Support and Updates

464423-B22

HP Insight Control for Linux, Media pack (DVD) - No licenses included

464422-B22

NOTE: Media pack DVD contains the ISO image for HP Insight Control for Linux, HP Systems Insight Manager, HP Insight Control power management, HP Insight Control virtual machine management, and an integrated installer. Servers must be acquired separately.

NOTE: Licenses ship without media. The Media Kit for Insight Control for Linux can be ordered separately, or can be downloaded at: <http://www.hp.com/go/ic-linux> (click on Download button).

NOTE: Electronic software is available in all countries except China and Japan. Customers in China and Japan should order the physical equivalent.

NOTE: Electronic and Flexible-Quantity licenses can be used to purchase multiple licenses with a single set of activation keys.

NOTE: For additional License Kits, including electronic licensing options, please see the QuickSpecs at:

http://h18000.www1.hp.com/products/quickspecs/13019_div/13019_div.html

HP iLO Advanced for BladeSystem

HP Integrated Lights-Out Advanced for BladeSystem, No Media, Electronic License, including 1 year of 24x7 Technical Support and Updates

TA851AAE

NOTE: This license allows 1 server to be managed via HP iLO Advanced for BladeSystem. Customer will receive a license entitlement certificate via email. The license entitlement certificate must be redeemed online or via fax in order to obtain the license activation key(s). Includes one year of 24 x 7 HP Software Technical Support Service.

Additional Options

NOTE: For additional license kits, including electronic delivery options, please see the ProLiant iLO QuickSpecs at:

http://h18000.www1.hp.com/products/quickspecs/12362_div/12362_div.html

HP Insight Control server deployment

HP Insight Control server deployment, Electronic License including 1 year of 24x7 Technical Support and Updates

T9082AAE

NOTE: Electronic and Flexible-Quantity licenses can be used to purchase multiple licenses with a single activation key.

NOTE: Electronic software is available in all countries except China and Japan. Customers in China and Japan should order the physical equivalent.

NOTE: Customer will receive a license entitlement certificate. The license entitlement certificate must be redeemed online or via fax in order to obtain the license activation key(s). Includes one year of 24 x 7 HP Software Technical Support and Update Service.

NOTE: Licenses ship without media. The Insight Software Media Kit can be ordered separately, or can be downloaded at: <http://www.hp.com/go/insightcontrol> (click on Download button).

NOTE: For additional license options please see the Insight Control QuickSpecs at: http://h18000.www1.hp.com/products/quickspecs/12631_div/12631_div.html

HP Insight Rapid Deployment software No Media 1-Server License including 1 year of 24x7 Technical Support and Updates

452151-B21

NOTE: This license allows 1 server to be deployed. Customer will receive a printed license entitlement certificate via physical shipment. The license entitlement certificate must be redeemed online or via fax in order to obtain the license activation key(s). Includes one year of 24 x 7 HP Software Technical Support Service.

NOTE: For additional license kits including electronic delivery options, please see the Insight Rapid Deployment software QuickSpecs at:

http://h18000.www1.hp.com/products/quickspecs/11053_div/11053_div.html

Storage Controllers

HP Smart Array P700 Controller

HP Smart Array P700m/256 Controller

507925-B21

HP Smart Array P700m/512 Controller

508226-B21

NOTE: Please see the QuickSpecs for Technical Specifications and additional information:

http://h18000.www1.hp.com/products/quickspecs/13175_div/13175_div.html

I/O Accelerator Mezzanine Options

HP StorageWorks 80GB IO Accelerator for BladeSystem c-Class

AJ876A

HP StorageWorks 160GB IO Accelerator for BladeSystem c-Class

AJ877A

HP StorageWorks 320GB IO Accelerator for BladeSystem c-Class

AJ878A

NOTE: Please see the QuickSpecs for Technical Specifications and additional information:

http://h18000.www1.hp.com/products/quickspecs/13220_div/13220_div.html

Additional Options

HP InfiniBand Mezzanine Options	HP 4X DDR IB Dual Port Mezzanine HCA for HP BladeSystem c-Class	448262-B21
	NOTE: Only a single port can be used on the BL2x220c.	
	HP BLc QLogic 4X QDR IB Mezz HCA	583210-B21
	HP 4X QDR IB CX-2 Dual Port Mezz HCA for HP BladeSystem c-Class	592519-B21

USB Options	HP 4GB SD Flash Media	580387-B21
	NOTE: Blank SD media devices are supported for use with ProLiant iVirtualization. SD media must be installed in the internal slot of the ProLiant server. Learn more at: http://www.hp.com/go/proliantvirtualization	

Service and Support Offerings (HP Care Pack Services)	NOTE: The HP Care Pack service part numbers below for ProLiant BL c-Class server blades, cover the server blade and all HP branded hardware options qualified for the server, purchased at the same time or afterwards, internal to the server.	
	Hardware Services On-site Service	
	4-Hour On-site Service, 5-Day x 13-Hour Coverage, 3 Year, Electronic	UK144E
	4-Hour On-site Service, 7-Day x 24-Hour Coverage, 3 Year, Electronic	UK145E
	6-Hour Call to Repair, On-site Service, 7-Day x 24-Hour Coverage, 3 Year, Electronic	UK146E

Memory

NOTE: Memory configurations listed do not apply to "Factory Integrated Models".

Memory Population Guidelines

Some DIMM installation guidelines are summarized below:

- For the HP ProLiant BL2x220c G6 server with six (6) memory slots per node:
 - There are three (3) channels per processor; six (6) channels per server node.
 - There is one (1) DIMM slot for each memory channel; six (6) total slots per node.
 - Memory channel 1 consists of one (1) DIMMs that is closest to the processor
 - Memory channel 3 consists of the one (1) DIMM that is furthest from the processor
- BL2x220c G6 requires a minimum 2 DIMMs per cpu (4 per server node) to be populated
- Do not mix Unbuffered memory (UDIMMs) with Registered memory (RDIMMs).
- Do not install DIMMs if the corresponding processor is not installed
- To maximize performance, balance the total memory capacity between all installed processors
- It is not required, but it is recommended to load the channels similarly if possible
- You can only have up to eight (8) ranks installed per channel
- For memory mirroring mode, channel 3 must be unpopulated. Channels 1 and 2 are populated identically
- For lock-step mode, channel 3 must be unpopulated.
- No mixing DIMM voltage; all DIMMs must be the same voltage

DIMM slot/capacity/populated speed table								
DIMM Type	Registered DIMMS (RDIMMs)						Unbuffered with ECC DIMMs (UDIMMs)	
	Dual Rank (2R)			Quad Rank (4R)			Single Rank (1R)	Dual Rank (2R)
DIMM Capacity	2GB	4GB	8GB	8GB	4GB	16GB	1GB	2GB
DIMM Native Speed (MHz)	1333	1333	1066	1333	1066	1066	1333	1333
SLOTS THAT CAN BE POPULATED								
6 slots	6	6	6	6	6	6	6	6
MAXIMUM CAPACITY (GB)								
	12	24	48	48	24	96	6	12
POPULATED DIMM SPEED (MHz)								
1 DIMM Per Channel	1066	1066	1066	1066	1066	1066	1066	1066

NOTES:

- Mixing DIMM speeds is allowed, but the system processor speed rules always override the DIMM capabilities
- DDR3 speed is the maximum memory speed of the processor. Actual memory speed may depend on the quantity and type of DIMMs installed
- If you do mix DIMM speeds, the memory bus will default to the minimum clock rate of all DIMMs in the system - even if the slower DIMM is on the other processor
- If you install 1x 1066MHz DIMM in channel 1 and 1x 1333MHz DIMM in channel 2, you still run at 1066MHz
- If you install 1x 1066MHz DIMM in channel 1 and 2x 1333MHz DIMMs with 1 DIMM Per Channel (DPC) in each of the other channels, you run at 1066MHz
- 95 Watt CPU's are required for 1333MHz DIMM speeds
- References to the above MHz speeds are for the various speeds of DDR3 DIMMs; 1333 refers to DDR3-1333, etc.

Memory

HP ProLiant BL2x220cc G6 Server Blade DIMM slot and configuration diagrams

Basic memory slot and population diagram

- Population order; start with "A" first, "B" second, "C" third, etc.
- **NOTE:** BL2x220c G6 requires a minimum 2 DIMMs per cpu (4 per server node) to be populated

6 DIMM SLOTS per node (3 per CPU)					
	CPU1		CPU2		
	slot #	population order	slot #	population order	
Chnl 1	1	A	1	A	Chnl 1
Chnl 2	2	B	2	B	Chnl 2
Chnl 3	3	C	3	C	Chnl 3

HP ProLiant BL2x220c G6 Server Blade

Standard memory configuration (2 CPU model)

- 24GB (6 x 4GB) of PC3-10600 (DDR3-1333) RDIMMs

	CPU1		CPU2		
	slot #	population order	slot #	population order	
Chnl 1	1	A: 4GB DIMM	1	A: 4GB DIMM	Chnl 1
Chnl 2	2	B: 4GB DIMM	2	B: 4GB DIMM	Chnl 2
Chnl 3	3	C: 4GB DIMM	3	C: 4GB DIMM	Chnl 3

RDIMM maximum configuration (2 CPU model)

- 96GB, consisting of twelve (6) 16GB quad-rank PC3-8500 RDIMMs

	CPU1		CPU2		
	slot #	population order	slot #	population order	
Chnl 1	1	A: 16GB DIMM	1	A: 16GB DIMM	Chnl 1
Chnl 2	2	B: 16GB DIMM	2	B: 16GB DIMM	Chnl 2
Chnl 3	3	C: 16GB DIMM	3	C: 16GB DIMM	Chnl 3

UDIMM maximum configuration (2 CPU model)

- 12GB, consisting of six (6) 2GB dual-rank PC3-10600 UDIMMs

Memory

	CPU1		CPU2		
	slot #	population order	slot #	population order	
Chnl 1	1	A: 2GB DIMM	1	A: 2GB DIMM	Chnl 1
Chnl 2	2	B: 2GB DIMM	2	B: 2GB DIMM	Chnl 2
Chnl 3	3	C: 2GB DIMM	3	C: 2GB DIMM	Chnl 3

NOTE: Capacity references are rounded to the common Gigabyte values.

- 1GB = 1024MB
- 2GB = 2048MB
- 4GB = 4096MB
- 8GB = 8192MB
- 16GB = 16384MB

Following are memory options available from HP:

Registered DIMMs (RDIMMs)

HP 2GB 2Rx8 PC3-10600R-9 Kit	500656-B21
HP 4GB 2Rx4 PC3-10600R-9 Kit	500658-B21
HP 4GB 4Rx8 PC3-8500R-7 LP Kit	500660-B21
HP 8GB 2Rx4 PC3-10600R-9 Kit	500662-B21
HP 8GB 2Rx4 PC3-8500R-7 Kit	516423-B21
HP 16GB 4Rx4 PC3-8500R-7 Kit	500666-B21

Unbuffered with ECC DIMMs (UDIMMs)

HP 1GB 1Rx8 PC3-10600E-9 Kit	500668-B21
HP 2GB 2Rx8 PC3-10600E-9 Kit	500670-B21

NOTE: All DDR3 memory option kits consist of one DIMM per kit.

I/O Map

HP ProLiant BL2x220c Server Blade

The BL2x220c Blade has a different I/O mapping for server I/O ports to expansion bays than existing half-height servers. The BL2x220c contains 2 server nodes that share a single half-height bay. Each server has 2x 1-Gbit Ethernet ports, so each half-height bay must therefore support 4 1Gbit Ethernet connections to the Interconnect bays. Full access to all embedded Ethernet ports therefore requires 64 Ethernet connections in the HP BladeSystem c7000 Enclosure. Single server half-height devices, such as the HP ProLiant BL460c and HP ProLiant BL465c Server Blades, only require 32 connections (c7000)

As each Ethernet Interconnect device only supports 16 downlinks to the servers it is necessary to dedicate additional bays to Ethernet. To gain access to all embedded Ethernet connections users must install 4 Ethernet Interconnects in Bays 1,2,3,4 for the c7000 enclosure.

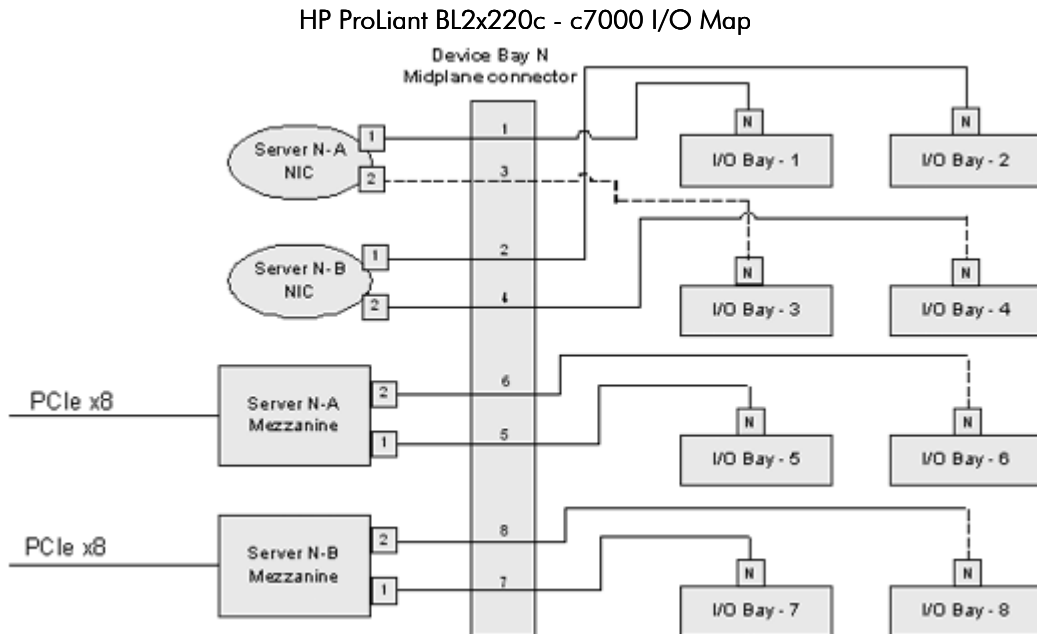
When installing a BL2x220c into an existing enclosure the following rules must be followed otherwise the Blade will not boot due to an e-keying error.

c7000 Enclosure

- Interconnect bays 1,2,3,4 are reserved for Ethernet
- Fibre Channel, InfiniBand or other Interconnects must be placed in bays 5 & 6 and 7 & 8
- Bays 5 & 6 must match the mezzanine type plugged into Server A
- Bays 7 & 8 must match the mezzanine type plugged into Server B

Mixing BL2x220c and other Blades in the same enclosure

Mixing of BL2x220c and other Server Blades in the same enclosure is supported but not recommended. The unique I/O mapping used by the BL2x220c requires that the I/O requirements of other blades in the enclosure conform to the rules defined for the BL2x220c.



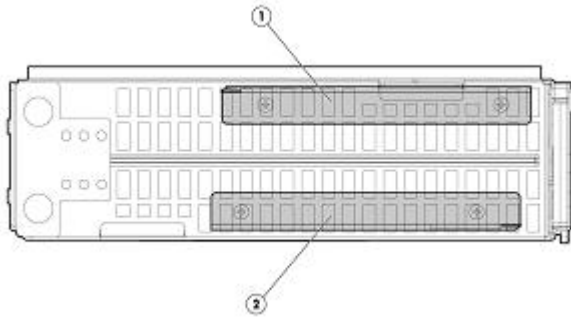
c7000 Enclosure Notes:

- Embedded NIC Port 1 from each server (Server A and Server B) is mapped to Interconnect bays 1 and 2 which support only Ethernet devices

I/O Map

- Embedded NIC Port 2 from each server (Server A and Server B) is mapped to Interconnect bays 3 & 4 which support only Ethernet devices in configurations using the BL2x220
- The BL2x220 mezzanine slots connect to interconnect devices in Interconnect Bays 5 & 6 or 7 & 8
- The BL2x220c G6 is not supported in the c3000 enclosure.

Storage



- 1 1 x SFF SATA Non-Hot Plug Hard Drives
- 2 1 x SFF SATA Non-Hot Plug Hard Drives

Hard Drives

SATA Non-Hot Plug Solid State Drive (SSD)

	Quantity Supported	Position Supported	Controller
64GB 1.5G SATA	1 per server node	1	Embedded SATA
32GB 1.5G SATA			

SATA SFF Hot Plug SFF Entry (ETY) Drives

NOTE: The components of a storage subsystem (e.g. the drive, the HBA/controller, and the server backplane) should operate at the same data transfer rate or the system bandwidth will be negotiated down to an acceptable level for all components.

NOTE: Hard drives have either a one year or three year warranty; refer to the specific hard drive QuickSpecs for details.

	Quantity Supported	Position Supported	Controller
250GB 3G SATA 5.4K	1 per server node	1	Embedded SATA
120GB 1.5G SATA 5.4K			

External Storage

	Quantity Supported	Position Supported	Host Controller or Adapter
XP Disk Array Systems	Please see the XP Disk Array Systems QuickSpecs below to determine configuration requirements	External	Please see the XP Disk Array Systems Quick Specs for the latest list of supported HBAs

HP StorageWorks XP10000 Disk Array:

<http://h18006.www1.hp.com/products/storageworks/xp10000/index.html> (Worldwide)

Enterprise Virtual Array Systems	Please see the XP Disk Array Systems QuickSpecs below to determine configuration requirements	External	Please see the XP Disk Array Systems Quick Specs for the latest list of supported HBAs
----------------------------------	---	----------	--

Storage

HP StorageWorks Enterprise Virtual Array Family

http://h18006.www1.hp.com/products/quickspecs/12408_div/12408_div.html (Worldwide)

Technical Specifications

System Unit	Dimensions (H x W x D) (with bezel)	7.154 x 2.19 x 20.058 in (18.17 x 5.56 x 50.95 cm)	
	Weight (approximate)	Maximum (all hard drives and processors installed)	15.5 lbs (7.03 kg)
		Minimum (one hard drive and processor installed)	12.79 lbs (5.8 kg)
	Power Specifications	For power specifications including Input Requirements, BTU Rating, and Power Supply Output, please see the HP BladeSystem c-Class Enclosures QuickSpecs located at URL: HP BladeSystem c-Class c7000 Enclosure QuickSpecs: http://h18004.www1.hp.com/products/quickspecs/12810_div/12810_div.html	
		To review typical system power ratings use the HP BladeSystem Power Sizer which is available via the online tool located at URL: http://www.hp.com/go/bladeSystem/powercalculator	
	System Inlet Temperature	Operating	10° to 35°C (50° to 95°F) at sea level with an altitude derating of 1.0°C per every 305 m (1.8°F per every 1000 ft) above sea level to a maximum of 3050 m (10,000 ft), no direct sustained sunlight. Maximum rate of change is 10°C/hr (18°F/hr). The upper limit may be limited by the type and number of options installed.
			System performance may be reduced if operating with a fan fault or above 30°C (86°F).
		Non-operating	-30° to 60°C (-22° to 140°F). Maximum rate of change is 20°C/hr (36°F/hr).
	Relative Humidity (non-condensing)	Operating	10 to 90% relative humidity (Rh), 28°C (82.4°F) maximum wet bulb temperature, non-condensing.
		Non-operating	5 to 95% relative humidity (Rh), 38.7°C (101.7°F) maximum wet bulb temperature, non-condensing.
	Altitude	Operating	3050 m (10,000 ft). This value may be limited by the type and number of options installed. Maximum allowable altitude change rate is 457 m/min (1500 ft/min).
		Non-operating	9144 m (30,000 ft). Maximum allowable altitude change rate is 457 m/min (1500 ft/min).
	Acoustic Noise	For acoustic noise specifications, please see the HP BladeSystem c-Class Enclosures QuickSpecs located at URL: HP BladeSystem c-Class c7000 Enclosure QuickSpecs: http://h18004.www1.hp.com/products/quickspecs/12810_div/12810_div.html	

Technical Specifications

Embedded Dual-port NC362i Gigabit Server Adapter	Network Processor	NC362i
	Data Transfer Method	Four lane (x4) PCI Express
	Network Transfer Rate	2000 Mb/s full duplex (theoretical maximum value)
	IEEE Compliance	802.1p, 802.1Q, 802.3, 802.3ad, and 802.3x
	Standard Features	<ul style="list-style-type: none">● 9K jumbo frames● TCP/IP checksum offload (TCO)● Large send offload (LSO)● Interrupt coalescence● Dual address cycles (DAC)● Wake-on-LAN (WOL)● Pre-boot execution environment (PXE)● ProLiant Teaming including Network Fault Tolerance, Transmit Load Balancing, and Switch-Assisted Load Balancing● IPv6 packet transmit and receive (excluding all offload capabilities); IPv6 aware SNMPv1 agents for Windows

Environment-friendly Products and Approach	End-of-life Management and Recycling	Hewlett-Packard offers end-of-life HP product return, trade-in, and recycling programs in many geographic areas. For trade-in information, please go to: http://www.hp.com/go/green . To recycle your product, please go to: http://www.hp.com/go/green or contact your nearest HP sales office. Products returned to HP will be recycled, recovered or disposed of in a responsible manner.
---	---	--

The EU WEEE directive (2002/95/EC) requires manufacturers to provide treatment information for each product type for use by treatment facilities. This information (product disassembly instructions) is posted on the Hewlett Packard web site at: <http://www.hp.com/go/green>. These instructions may be used by recyclers and other WEEE treatment facilities as well as HP OEM customers who integrate and re-sell HP equipment.

© Copyright 2009 Hewlett-Packard Development Company, L.P.
The information contained herein is subject to change without notice.

Microsoft and Windows NT are US registered trademarks of Microsoft Corporation. Intel, the Intel logo, Xeon and Xeon Inside are trademarks of Intel Corporation in the U.S. and other countries.

The only warranties for HP products and services are set forth in the express warranty statements accompanying such products and services. Nothing herein should be construed as constituting an additional warranty. HP shall not be liable for technical or editorial errors or omissions contained herein.

For hard drives, 1GB = 1 billion bytes. Actual formatted capacity is less.