



## ARCHITECTURAL GRILLE SQUARE CEILING DIFFUSER 3-WAY

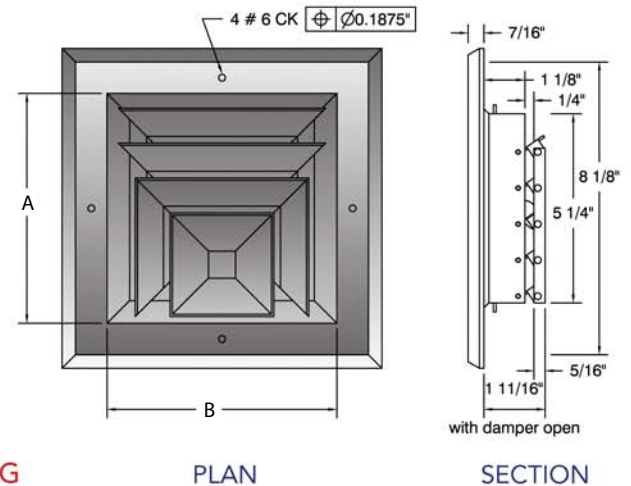


Made of aluminum and available in 4 sizes, the Square Ceiling Diffuser 3-Way is the visible part of the air conditioning system that is mounted in the ceiling of a residential or commercial building. With a **270° air diffusion pattern**, this multi-louver model distributes air flow throughout the room and includes a damper for flow control as well as 4 screw holes for mounting / installation.

### PRODUCT DETAILS

*Material:* Aluminum  
*Finish:* White Gloss  
*Inclusions:* Damper  
*Air Diffusion:* 270°

*Sizes:*  
6" x 6"  
8" x 8"  
10" x 10"  
12" x 12"



AVAILABLE FOR IMMEDIATE SHIPPING

## ARCHITECTURAL GRILLE SQUARE CEILING DIFFUSER 4-WAY

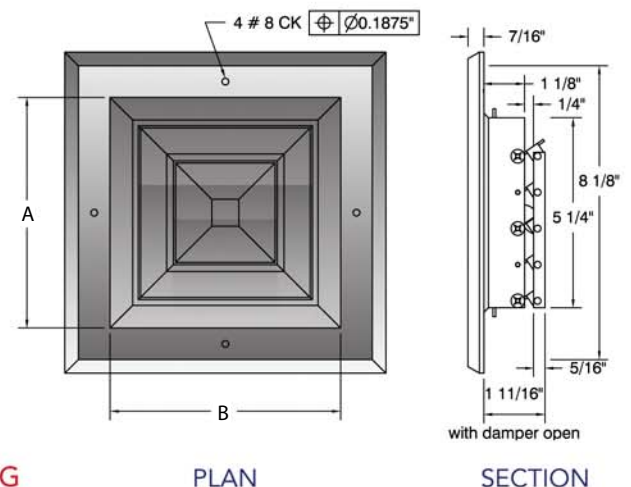


Made of aluminum and available in 3 sizes, the Square Ceiling Diffuser 4-Way is the visible part of the air conditioning system that is mounted in the ceiling of a residential or commercial building. With a **360° air diffusion pattern**, this multi-louver model evenly distributes air flow throughout the room and includes a damper for flow control as well as 4 screw holes for mounting / installation.

### PRODUCT DETAILS

*Material:* Aluminum  
*Finish:* White Gloss  
*Inclusions:* Damper  
*Air Diffusion:* 360°

*Sizes:*  
8" x 8"  
10" x 10"  
12" x 12"



AVAILABLE FOR IMMEDIATE SHIPPING

IN STOCK  
PRODUCTS

### BAR GRILLES

- AG10 B Frame
- AG10 B Frame with door
- AG20 B Frame
- AG20 B Frame with door

### PERFORATED GRILLES

- #208 Lattice

### DIFFUSERS

- Square Ceiling Diffuser 3-Way
- Square Ceiling Diffuser 4-Way

### DRYER VENT COVER



TO ORDER:

1.800.387.6267

P: 718.832.1200

F: 718.832.1390

ARCHGRILLE.COM