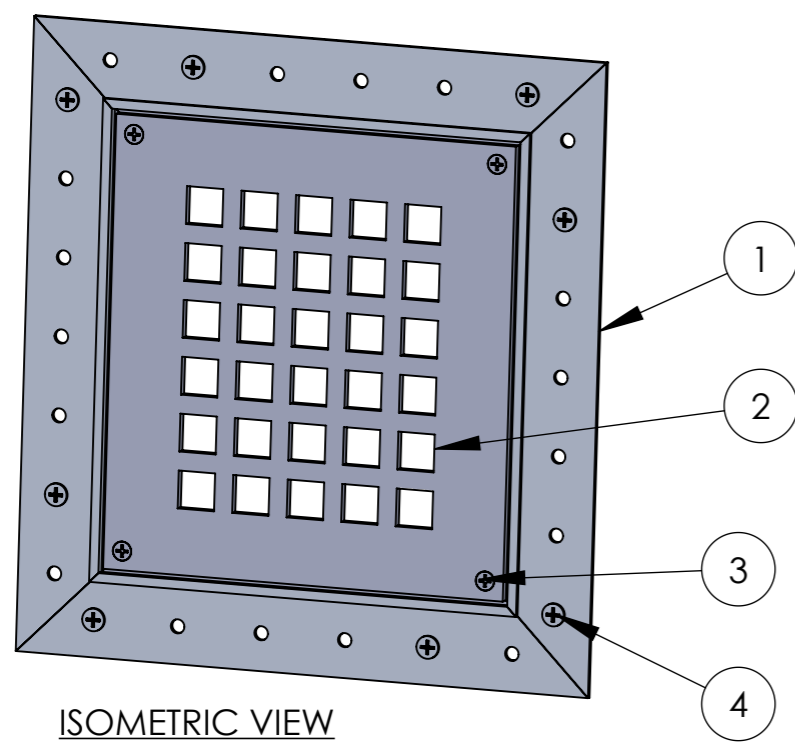
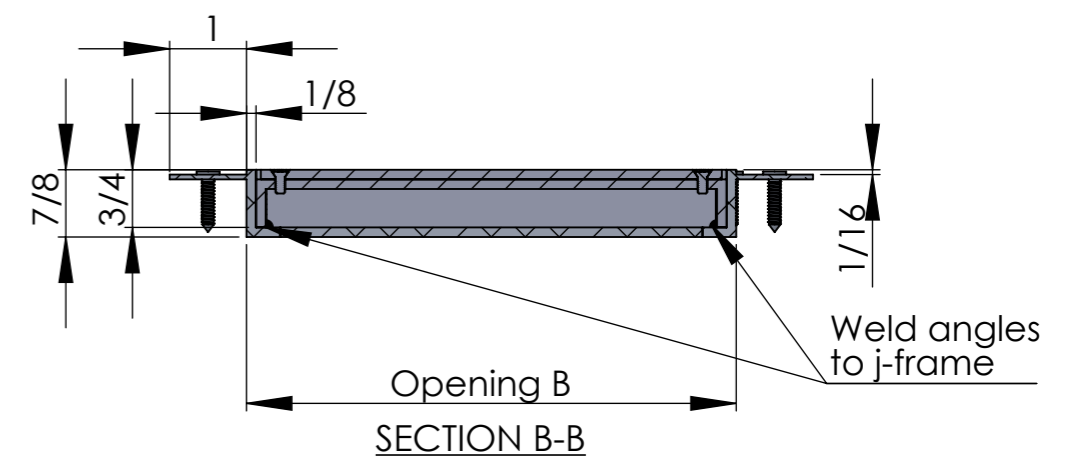
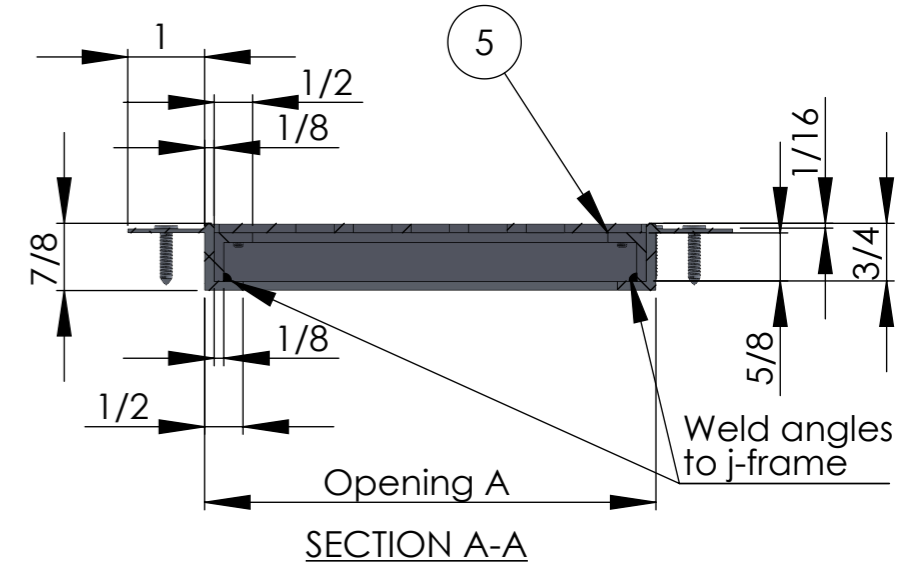
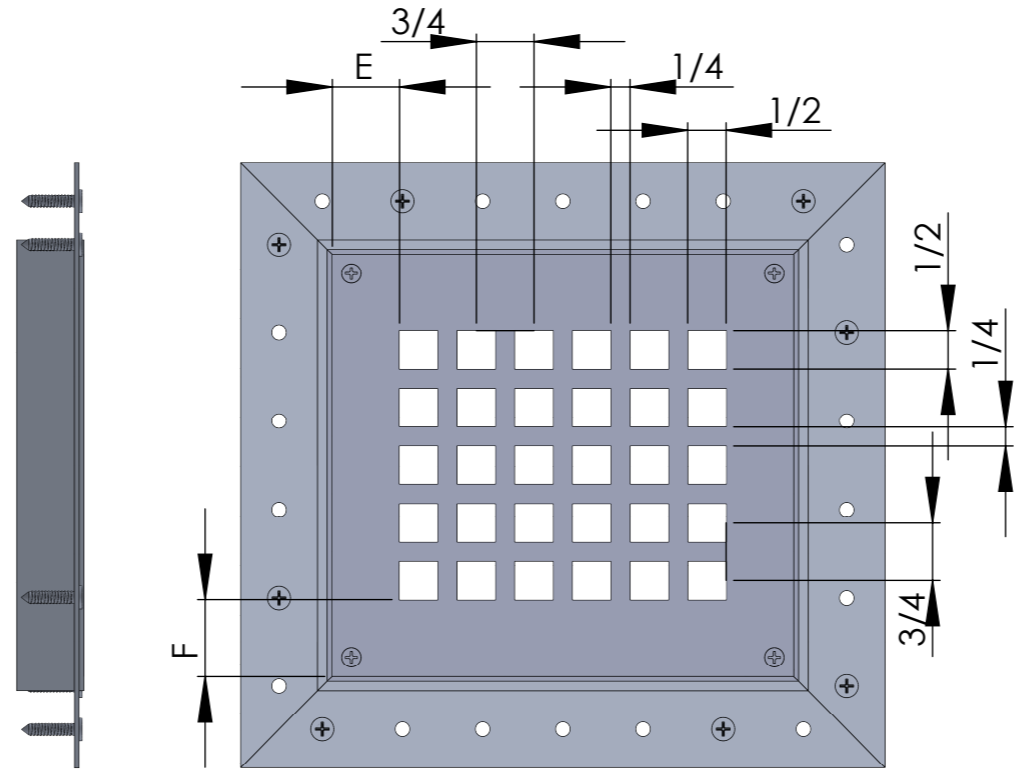
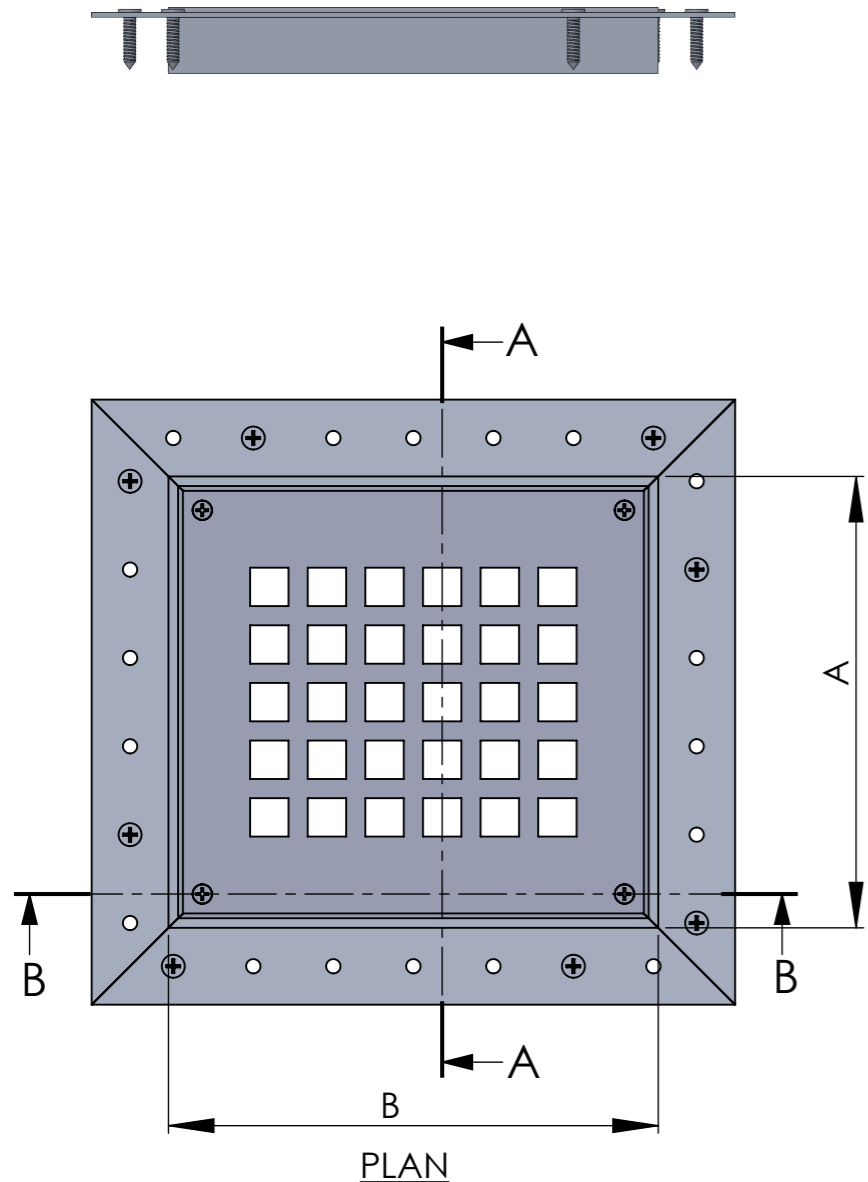


ITEM NO.	PART NUMBER	DESCRIPTION	QTY.
1	J-frame grille		1
2	208 Lattice perforated grille		1
3	Face screw		4
4	Typical dry wall screw(not provided)		8
5	Angle		4



	ARCHITECTURAL GRILLE				
	42 SECOND AVENUE BROOKLYN, NY 11215 WWW.ARCHGRILLE.COM				
CUSTOMER			Drawn by	SIZE	REV
DESCRIPTION			Heg	B	-
			SCALE	SHEET	
#611 Method of fastening			1"=2.5"	DMS.611.0	