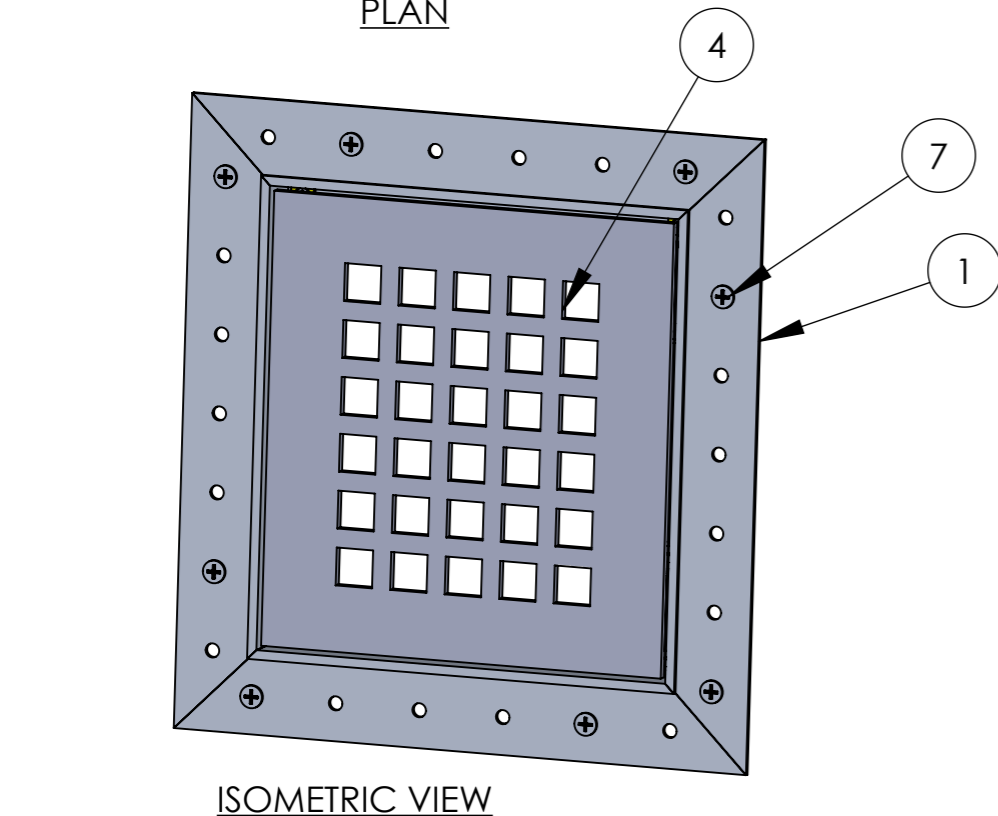
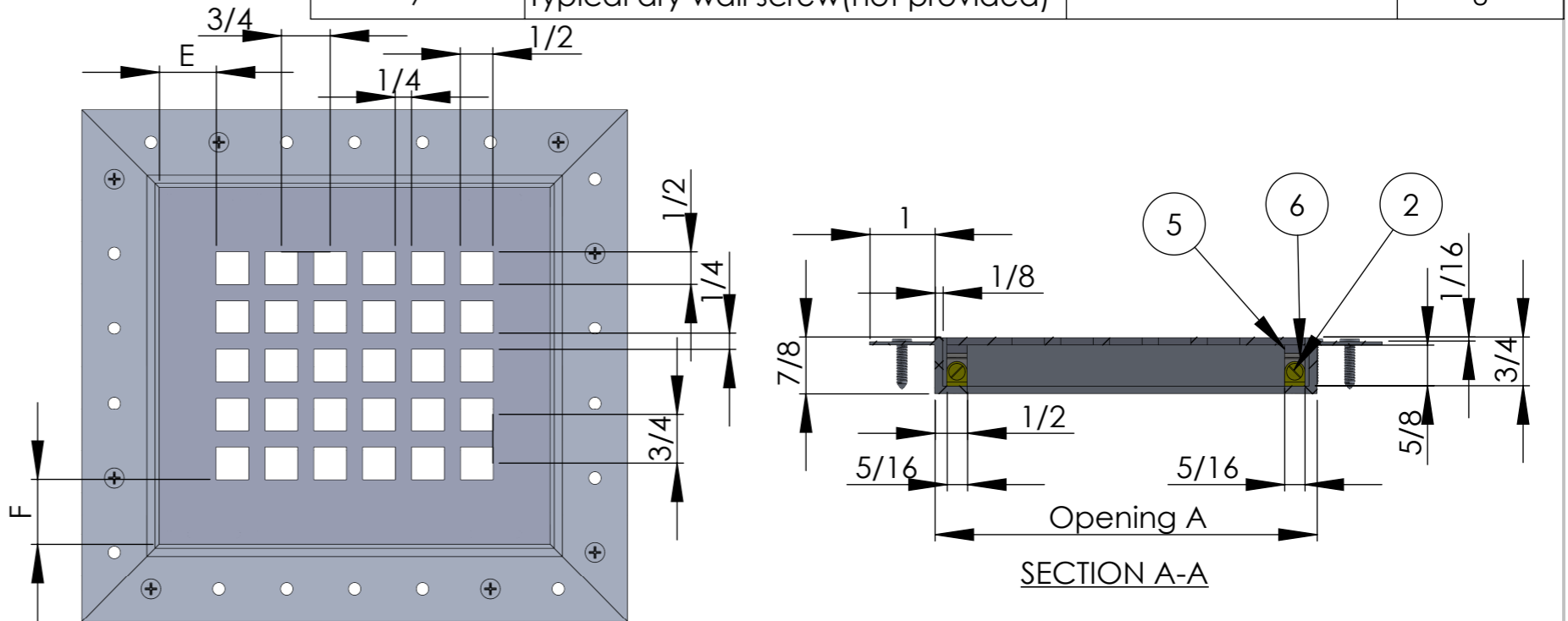
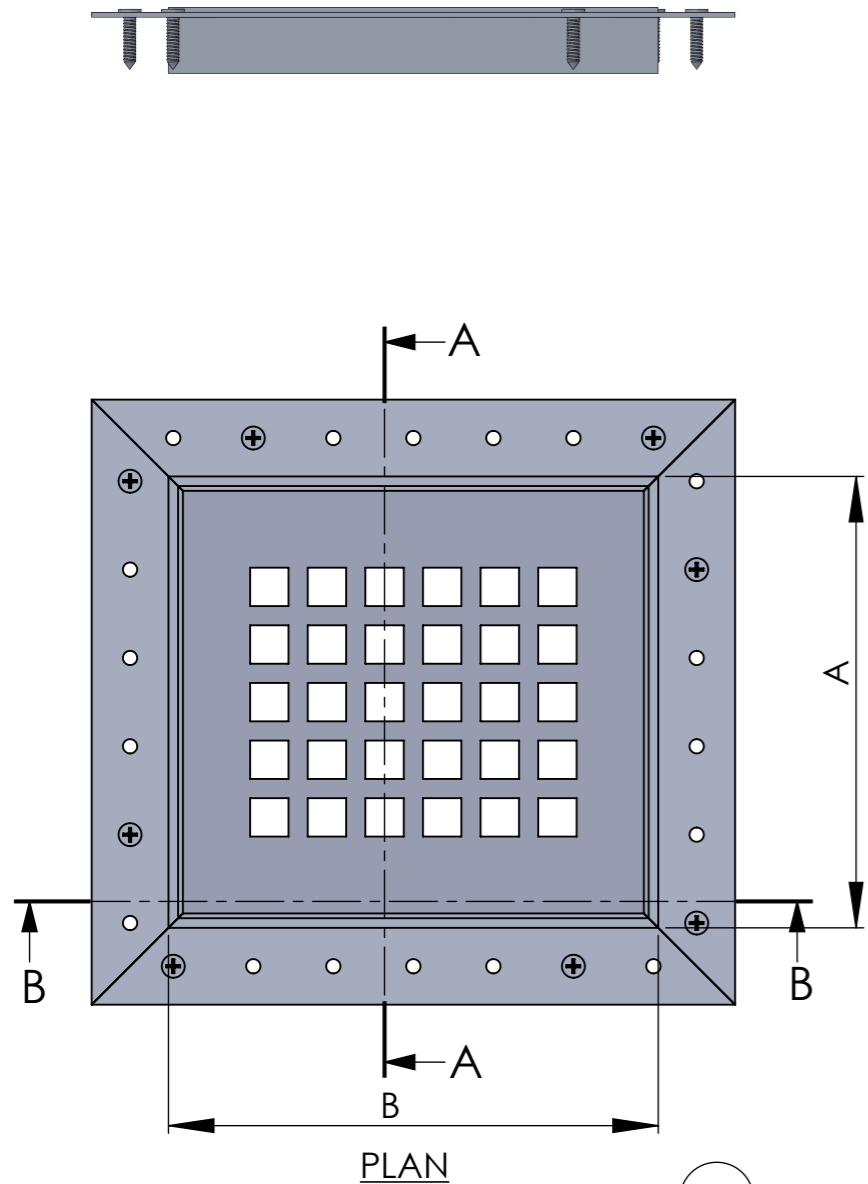


ITEM NO.	PART NUMBER	DESCRIPTION	QTY.
1	J-frame grille		1
2	Snap-in catch(lower)		4
3	Screw(not provided)		16
4	208 Lattice perforated grille		1
5	Shim		4
6	Snap-in strike(upper)		4
7	Typical dry wall screw(not provided)		8



PLAN



ARCHITECTURAL GRILLE

42 SECOND AVENUE
 BROOKLYN, NY 11215
 WWW.ARCHGRILLE.COM

CUSTOMER	Drawn by Heg	SIZE B	REV -
DESCRIPTION #610 Method of fastening	SCALE 1"=2.5"	SHEET DMS.610.0	