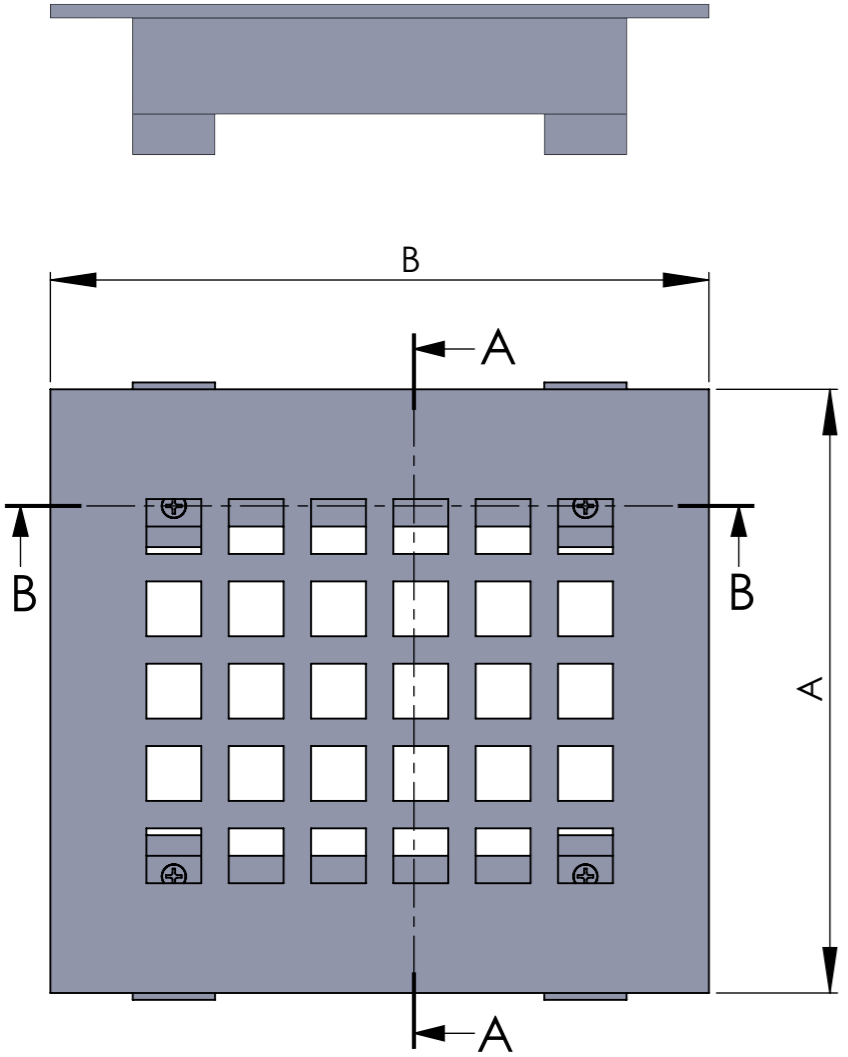
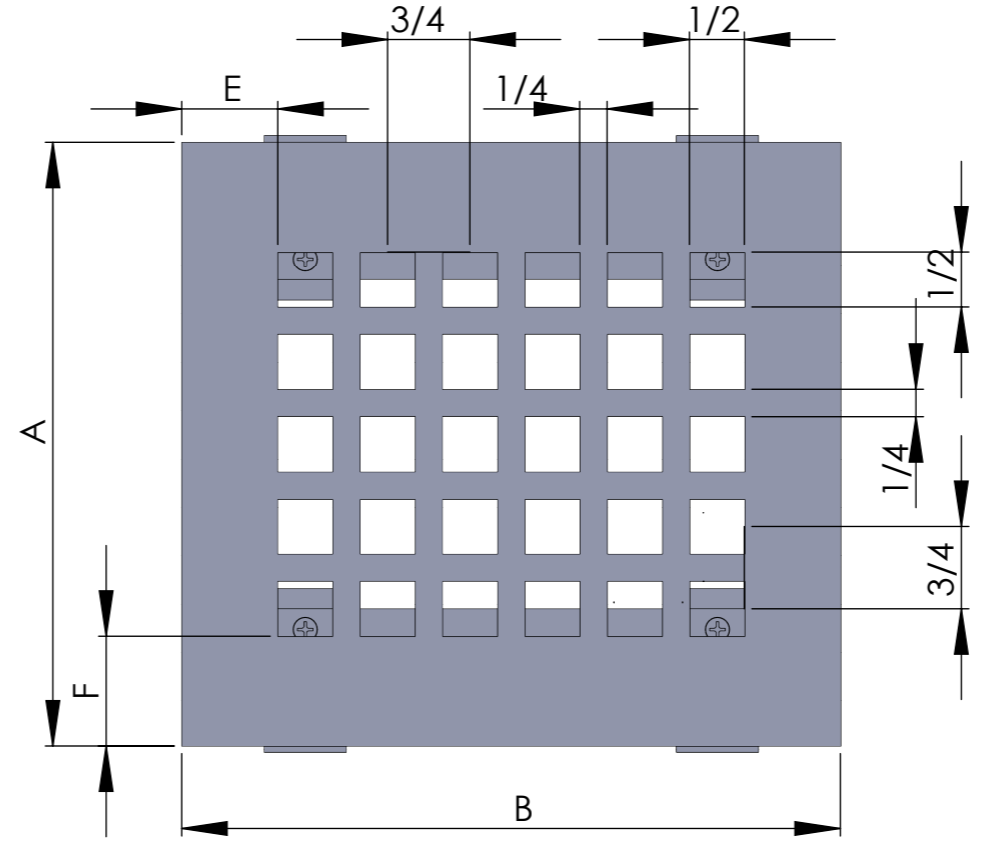


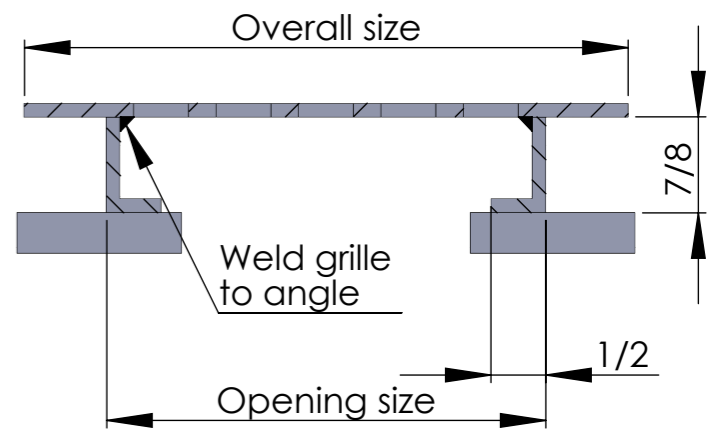
ITEM NO.	PART NUMBER	DESCRIPTION	QTY.
1	208 Lattice perforated grille		1
2	Angle		2
3	Blocking(supplied by contractor)		4
4	Countersunk screw(not provided)		4



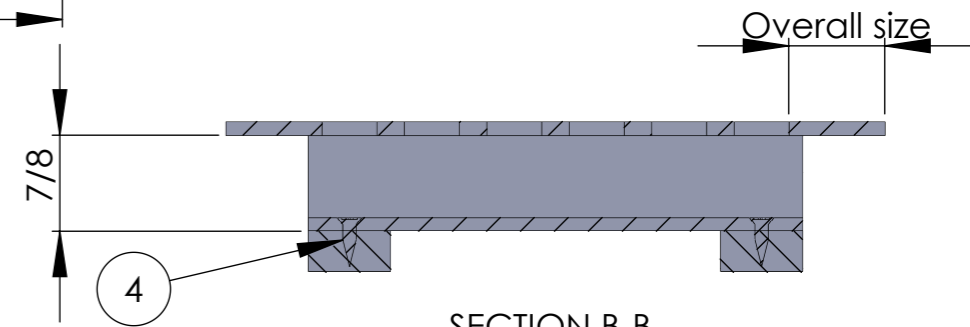
PLAN



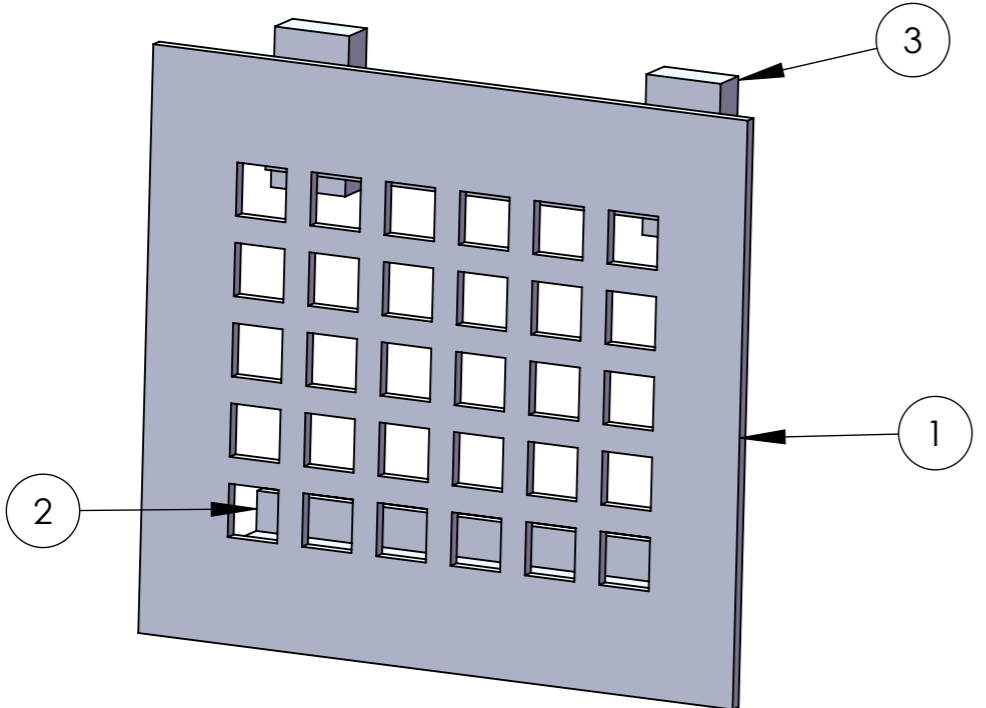
PLAN



SECTION A-A



SECTION B-B



ISOMETRIC VIEW



**ARCHITECTURAL GRILLE**

42 SECOND AVENUE  
 BROOKLYN, NY 11215  
 WWW.ARCHGRILLE.COM

CUSTOMER	Drawn by <b>Heg</b>	SIZE B	REV -
DESCRIPTION <b>#608 Method of fastening</b>	SCALE 1"=1.75"	SHEET <b>DMS.608.0</b>	