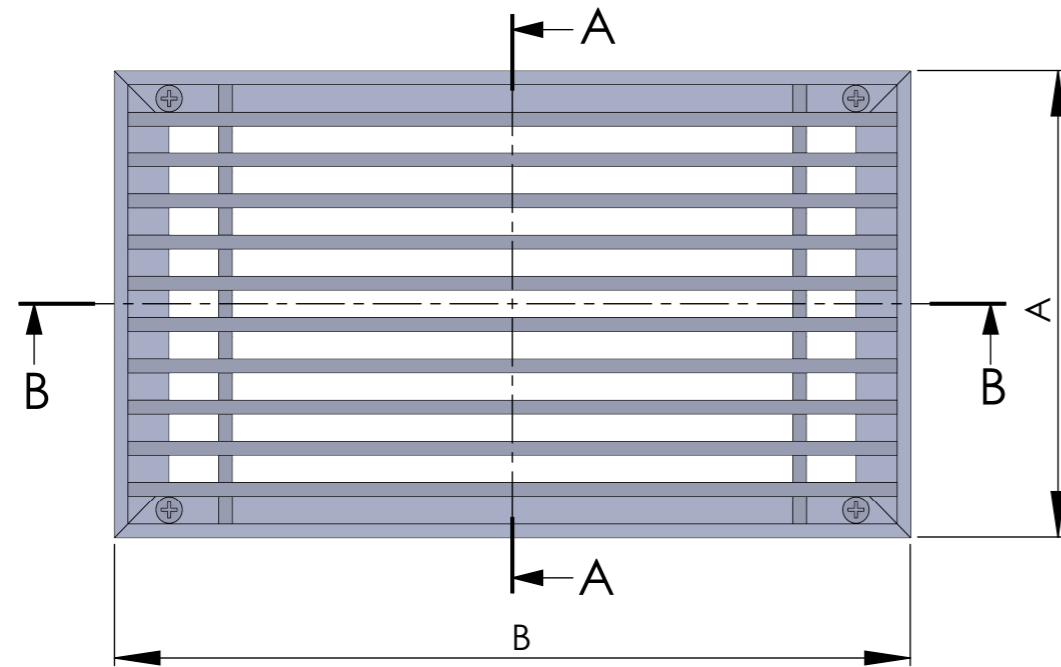
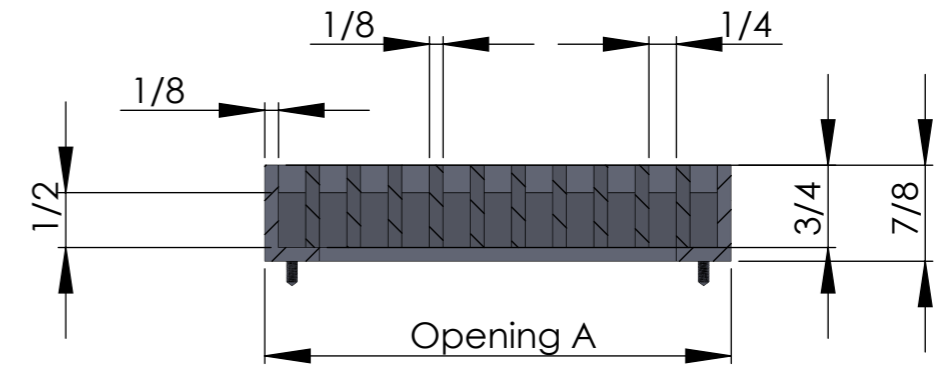


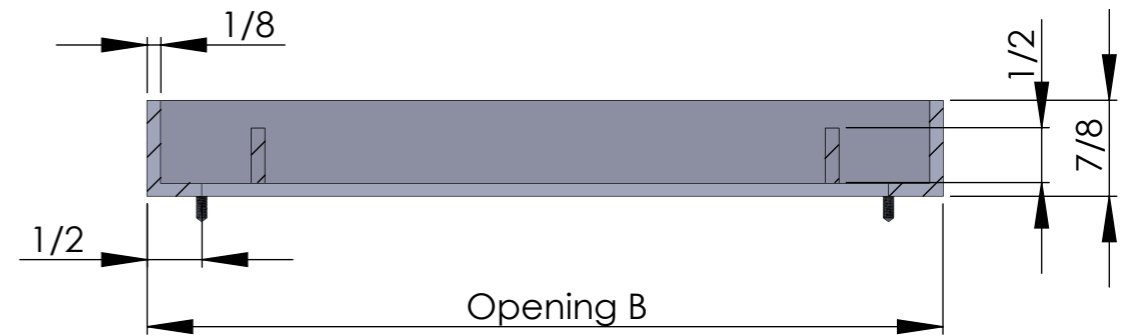
ITEM NO.	PART NUMBER	DESCRIPTION	QTY.
1	Standard AG10 A Frame		1
2	Standard AG10 Core		1
3	Screw		4



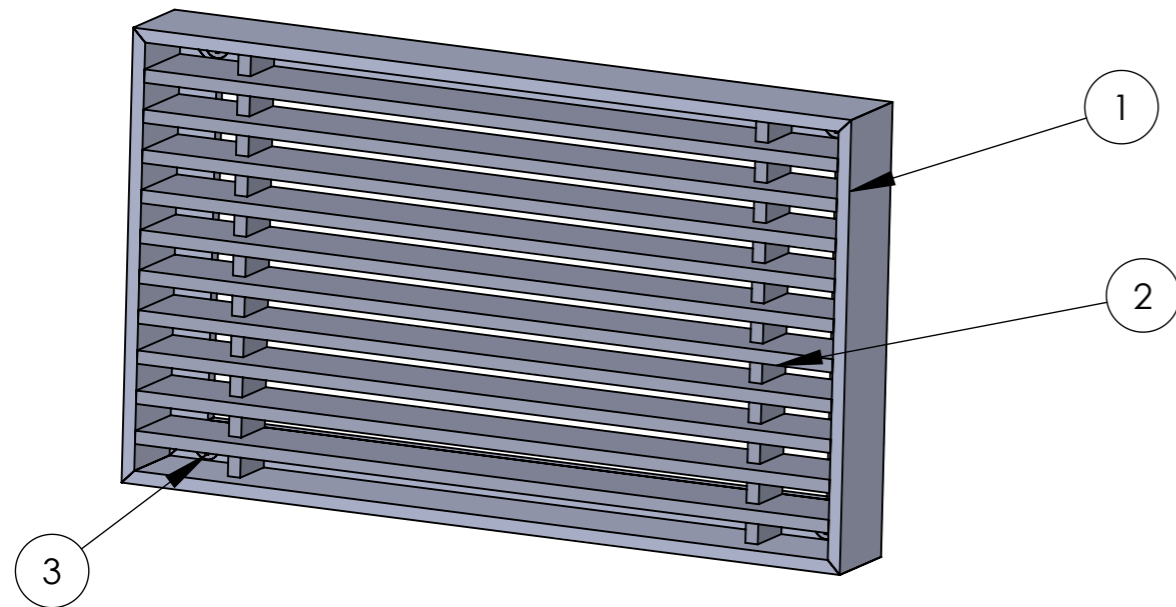
PLAN



SECTION A-A



SECTION B-B



	<b>ARCHITECTURAL GRILLE</b>			
	42 SECOND AVENUE BROOKLYN, NY 11215 WWW.ARCHGRILLE.COM			
CUSTOMER			Drawn by <b>Heg</b>	SIZE B
DESCRIPTION <b>#516 Bar grille</b>			SCALE 1"=1.75"	REV -
			SHEET	DMS.516.0