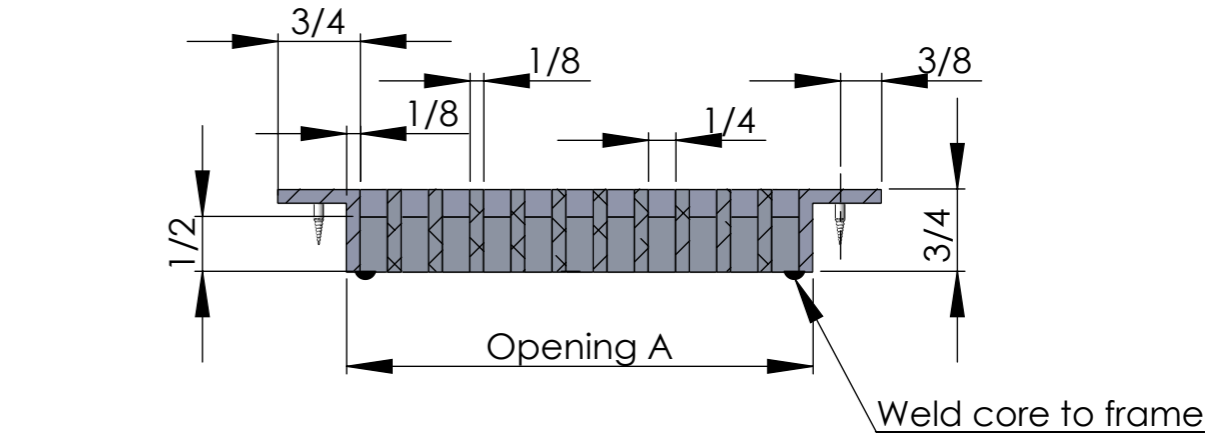
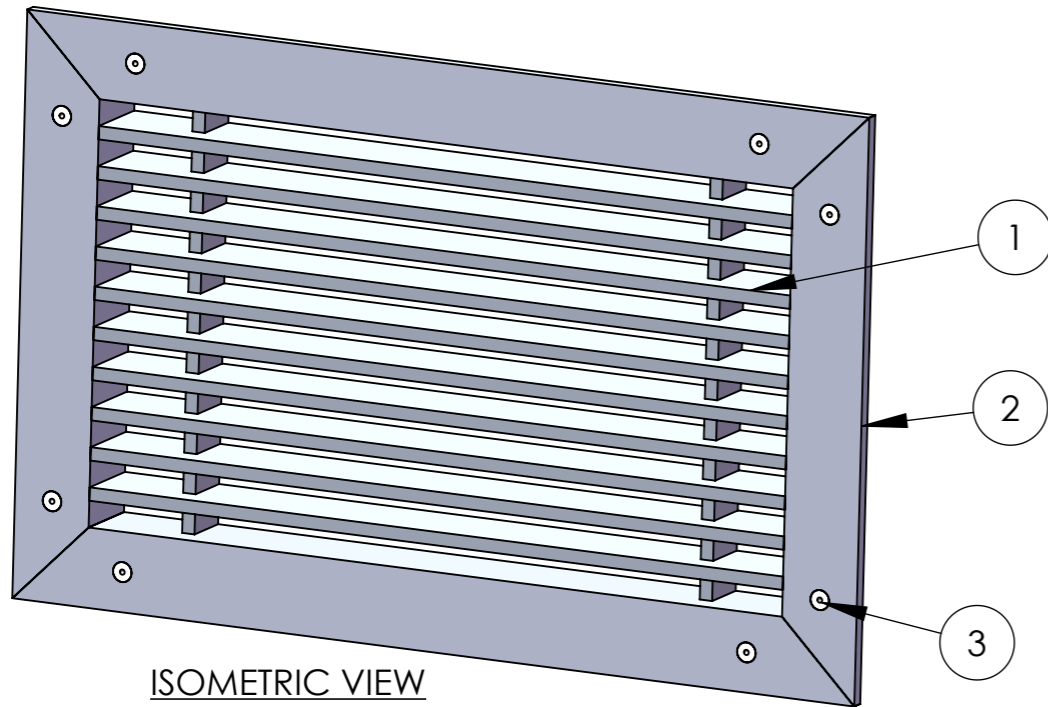
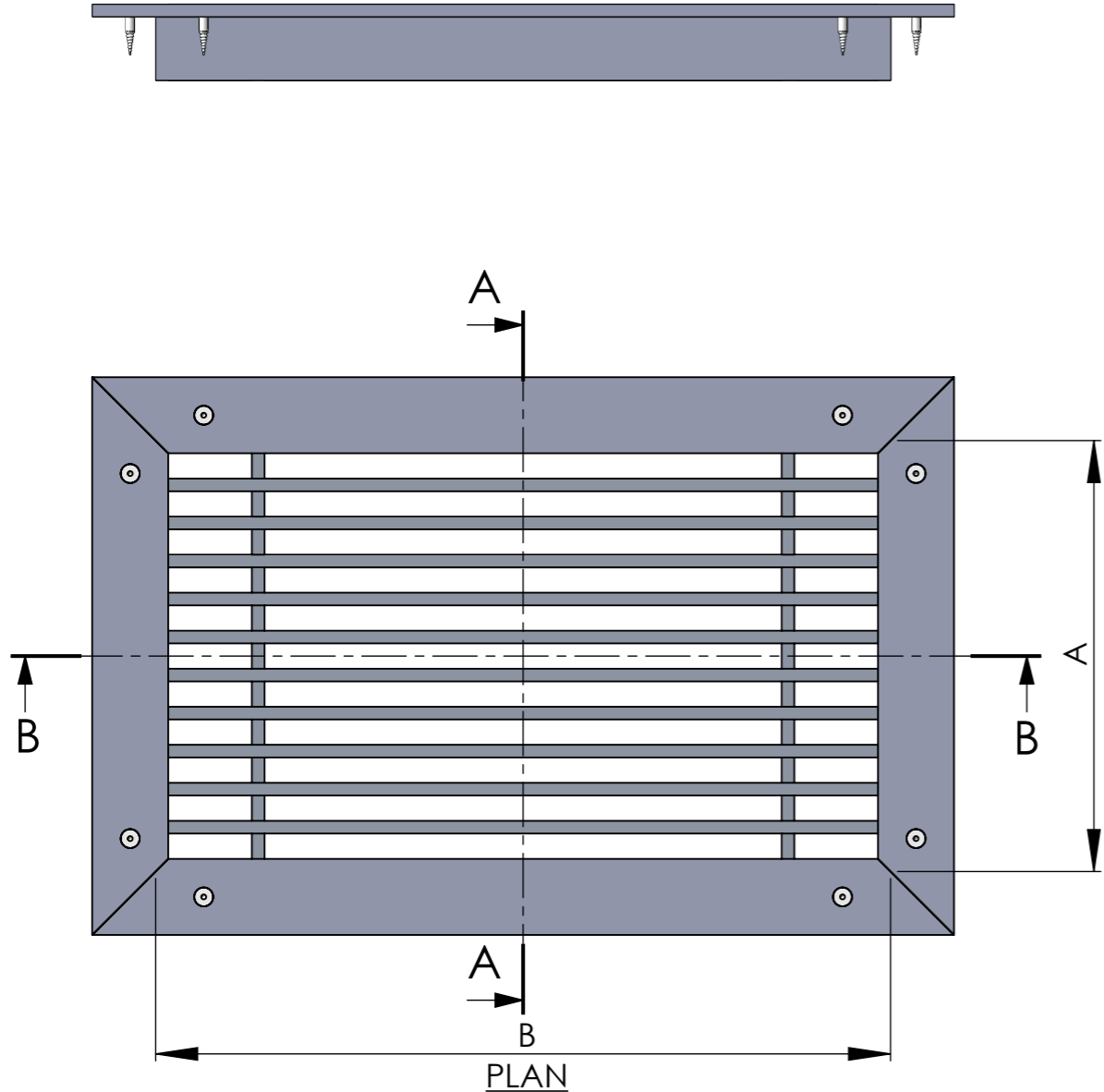
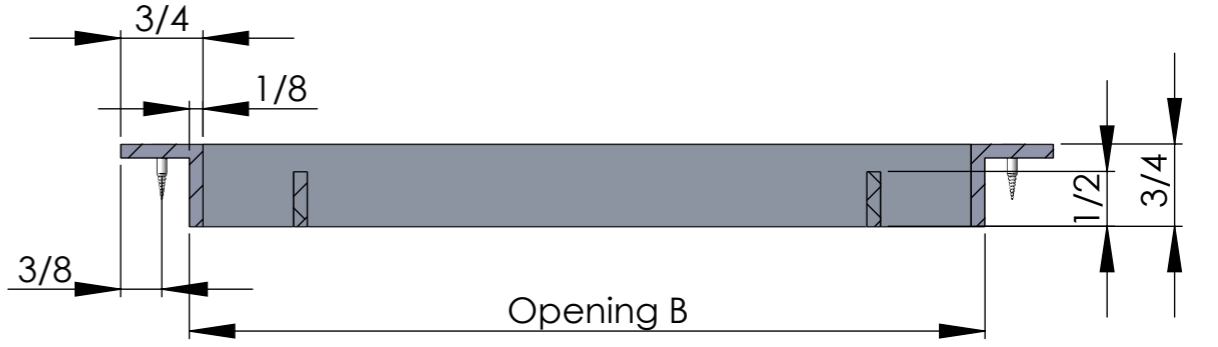


ITEM NO.	PART NUMBER	DESCRIPTION	QTY.
1	Standard AG10 core		1
2	Standard B-frame		1
3	Countersunk screw(provided)		8



SECTION A-A



SECTION B-B

	ARCHITECTURAL GRILLE			
	42 SECOND AVENUE BROOKLYN, NY 11215 WWW.ARCHGRILLE.COM			
CUSTOMER			Drawn by Heg	SIZE B
DESCRIPTION #514 Bar grille			SCALE 1"=1.75"	REV -
			SHEET	DMS.514.0