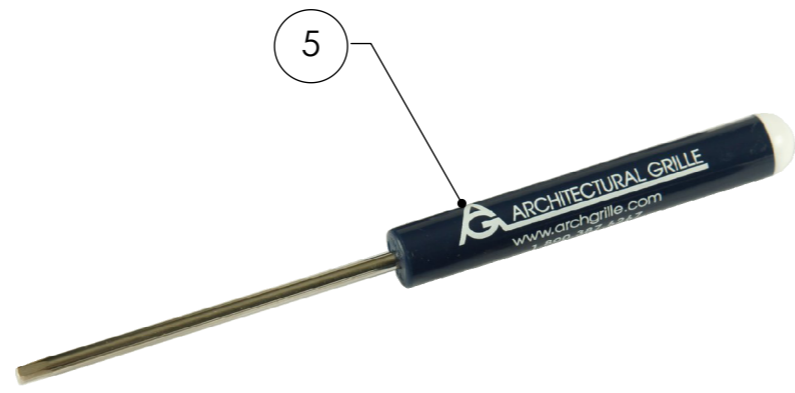
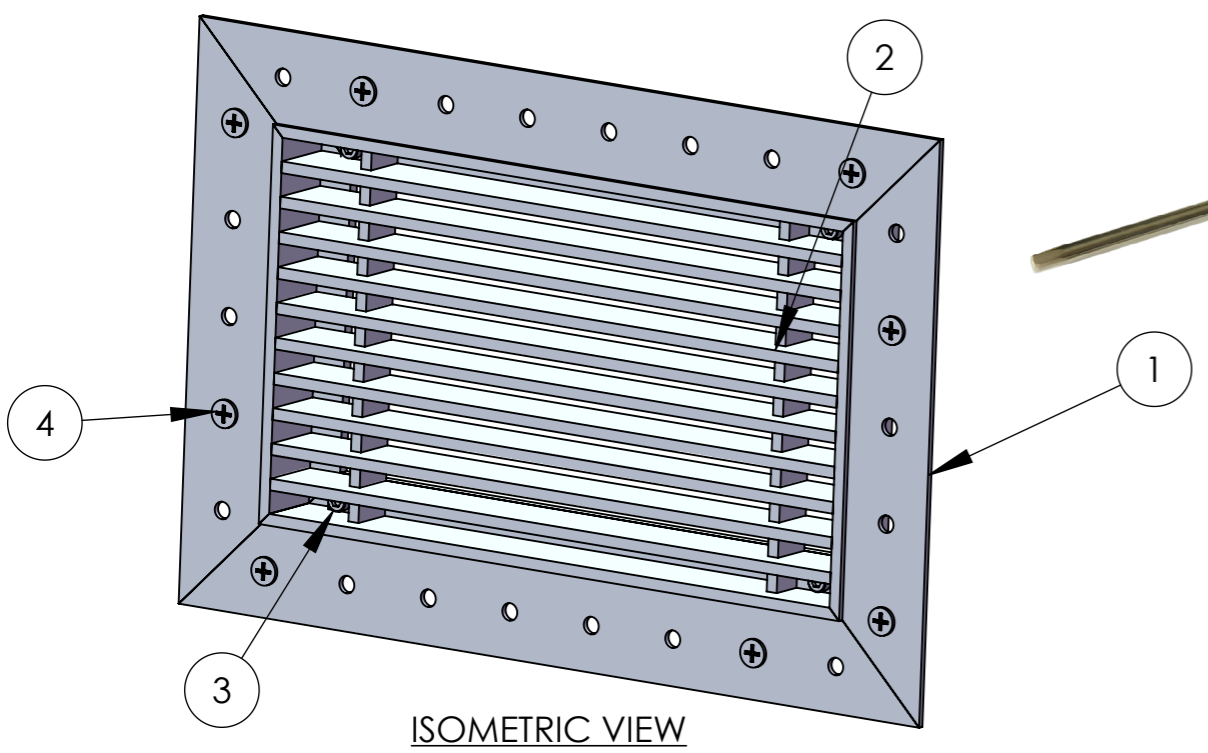
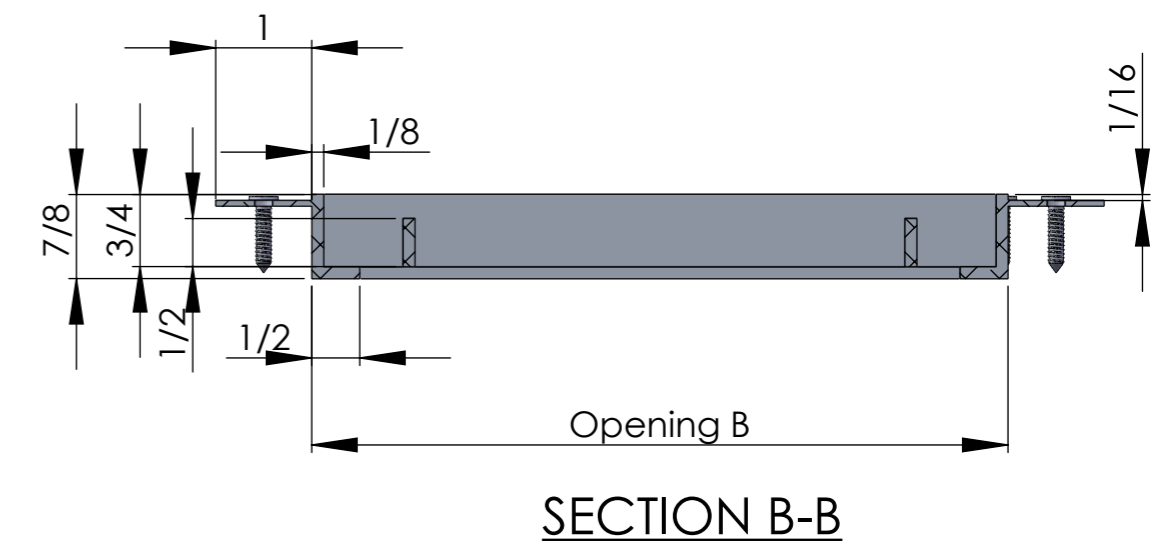
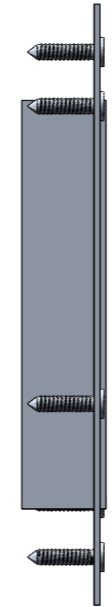
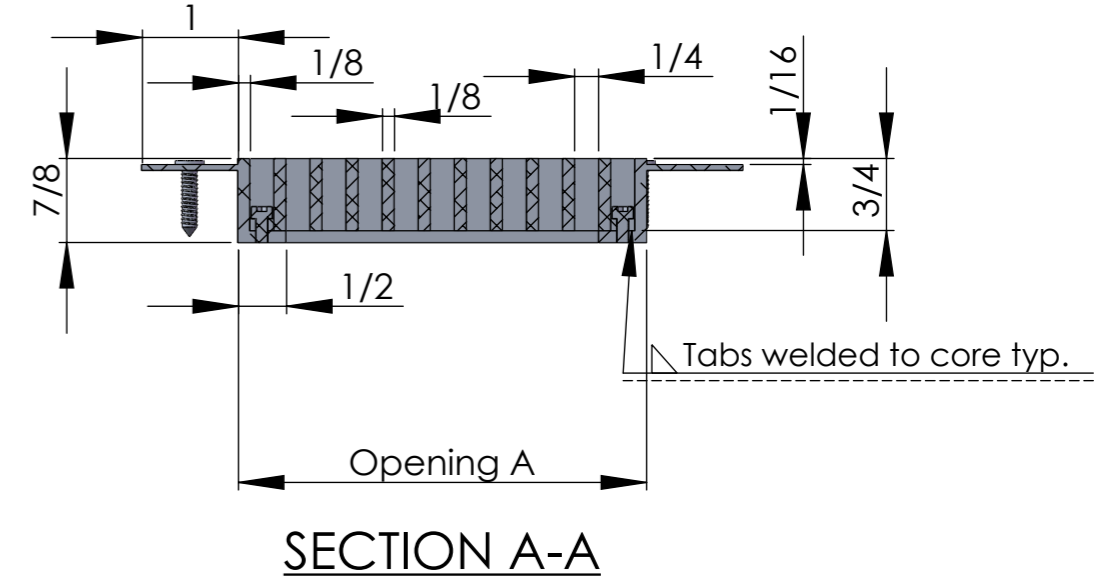
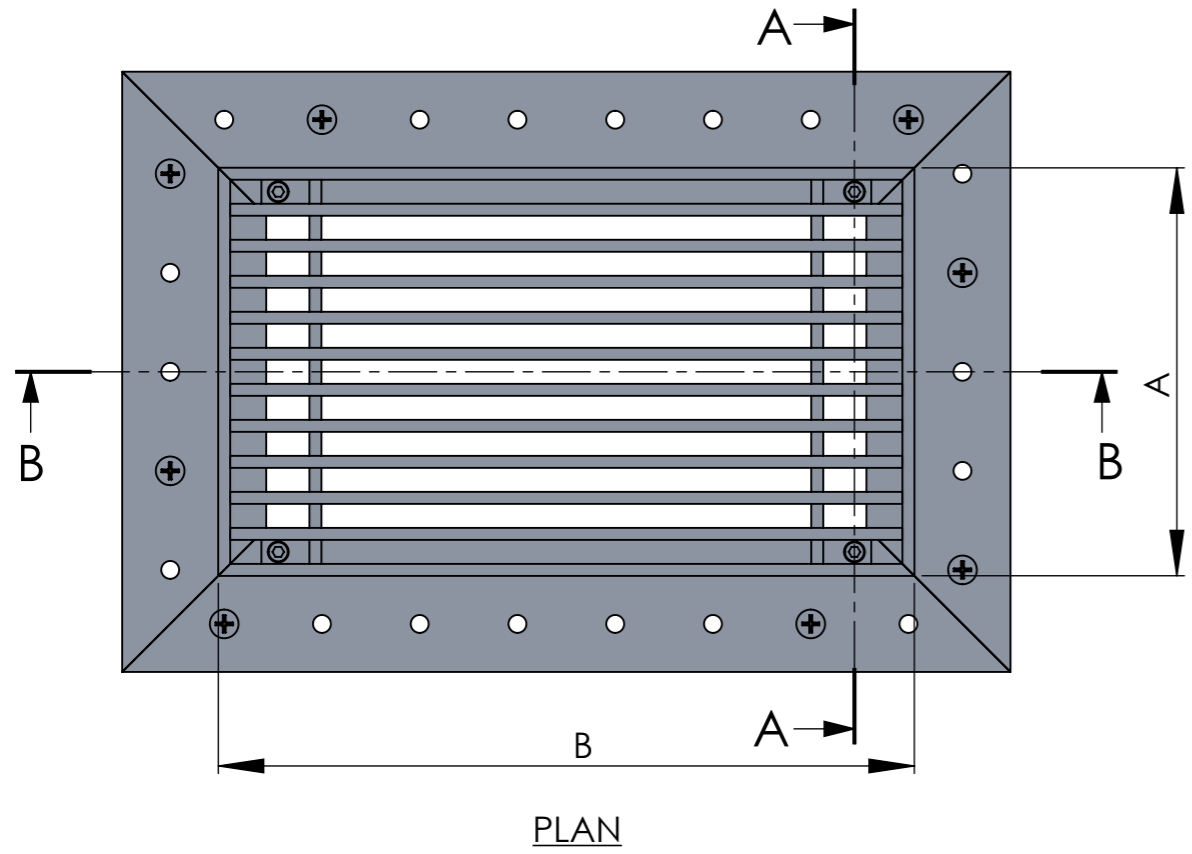




ITEM NO.	PART NUMBER	DESCRIPTION	QTY.
1	J-frame grille (for aluminium)		1
2	Removable AG10 core		1
3	Screw (provided)		4
4	Typical dry wall screw (not provided)		8
5	Hex head screw driver (provided)		1



	<b>ARCHITECTURAL GRILLE</b>			
	42 SECOND AVENUE BROOKLYN, NY 11215 WWW.ARCHGRILLE.COM			
CUSTOMER	Drawn by <b>Heg</b>		SIZE B	REV -
DESCRIPTION <b>#513 Method of fastening</b>		SCALE 1"=2"	SHEET <b>DMS.513.0</b>	