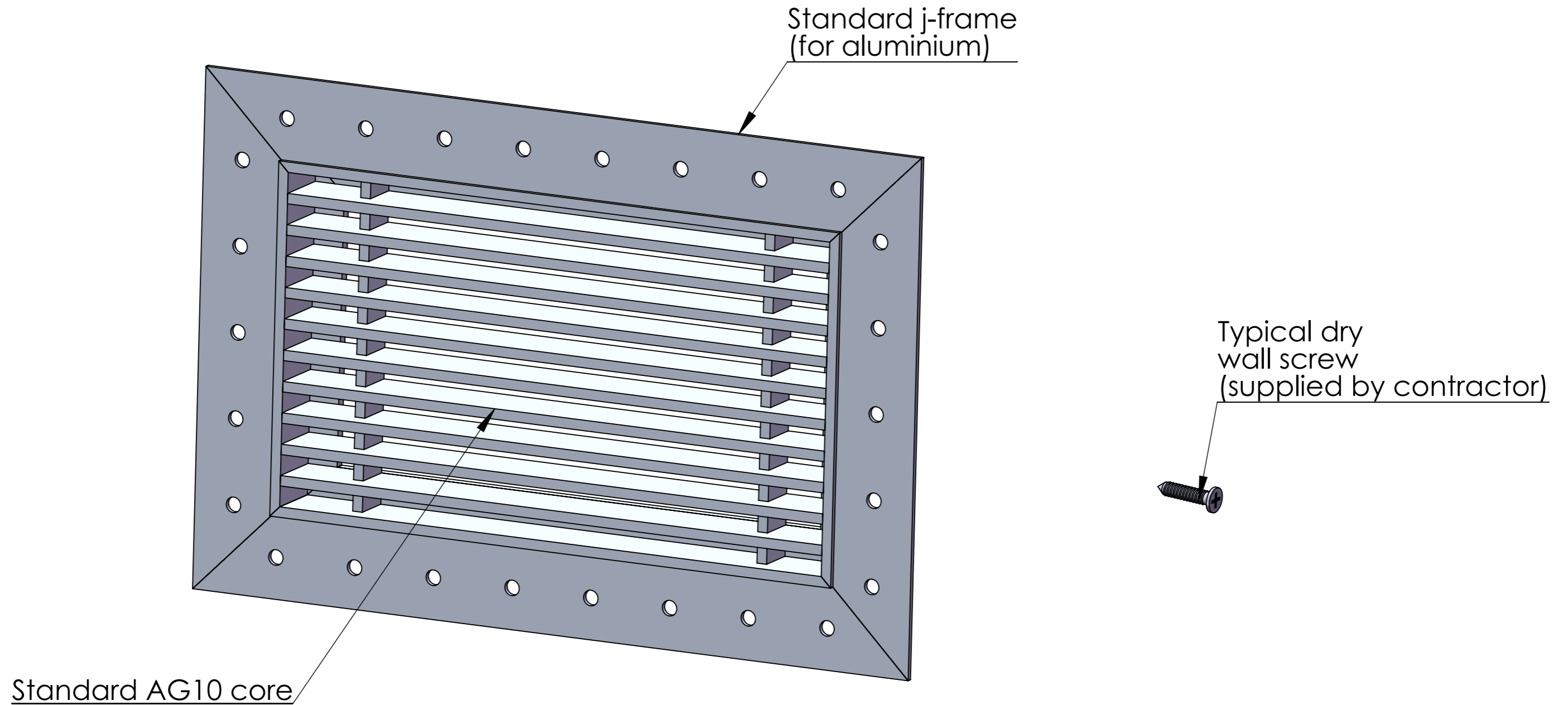
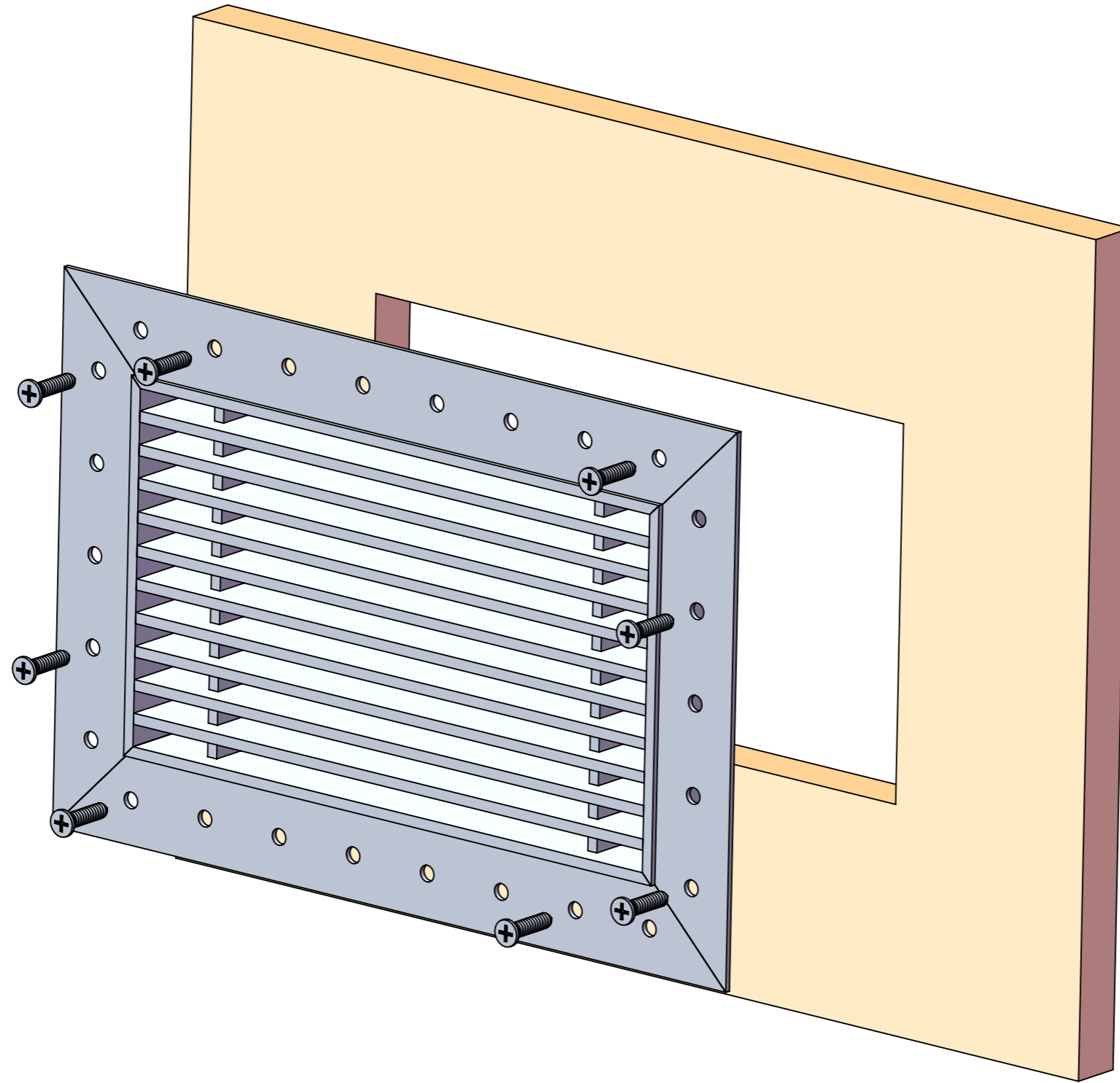


Parts needed for assembly using method #512



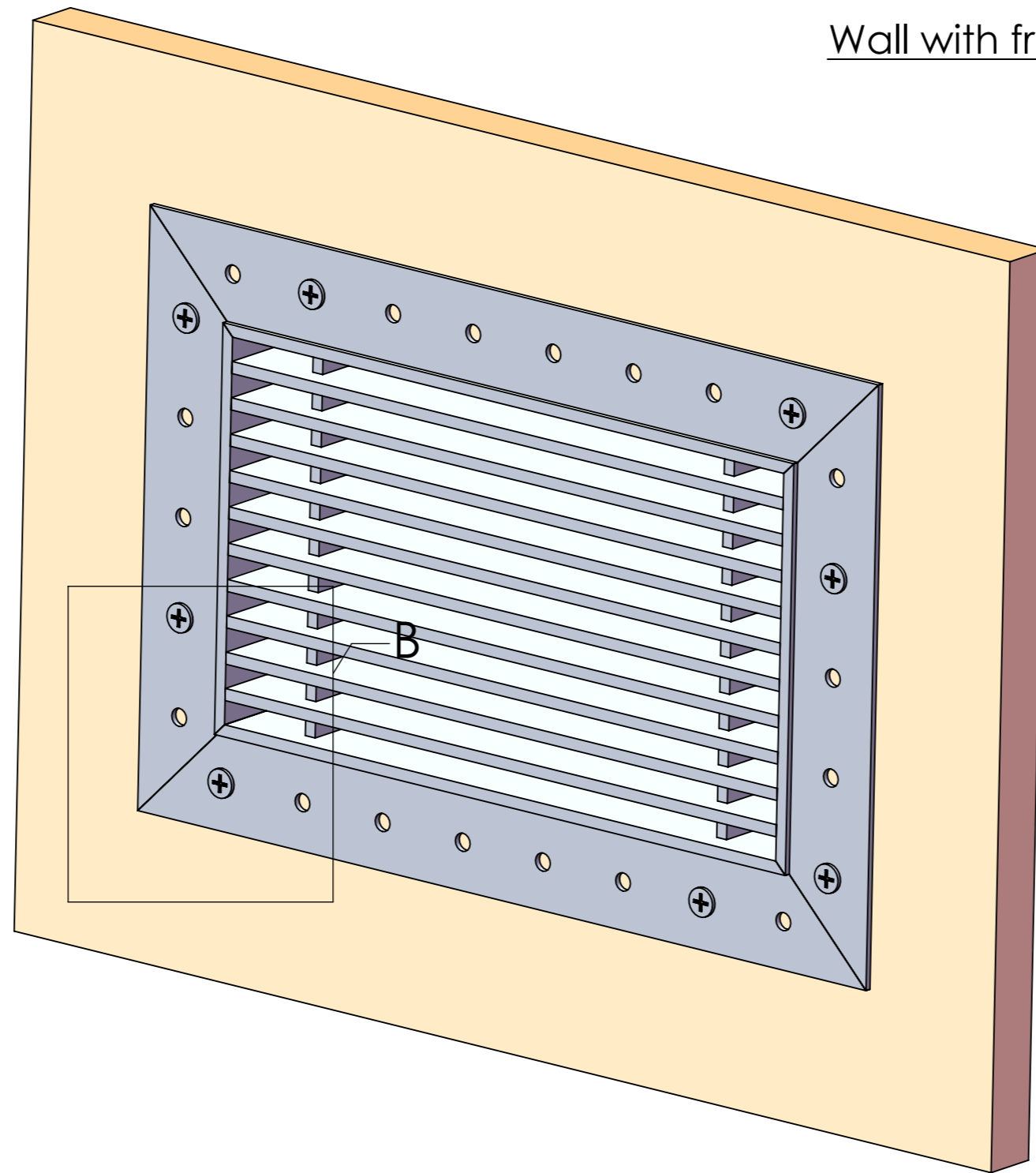
Disclaimer:
This step by step layout is one of the many ways someone can install their custom grille using method #512

	ARCHITECTURAL GRILLE			
	42 SECOND AVENUE BROOKLYN, NY 11215 WWW.ARCHGRILLE.COM			
CUSTOMER	Drawn by Heg		SIZE A3	REV -
DESCRIPTION #512 Method of fastening		SCALE 1"=1.25"	SHEET DMS.512.1	

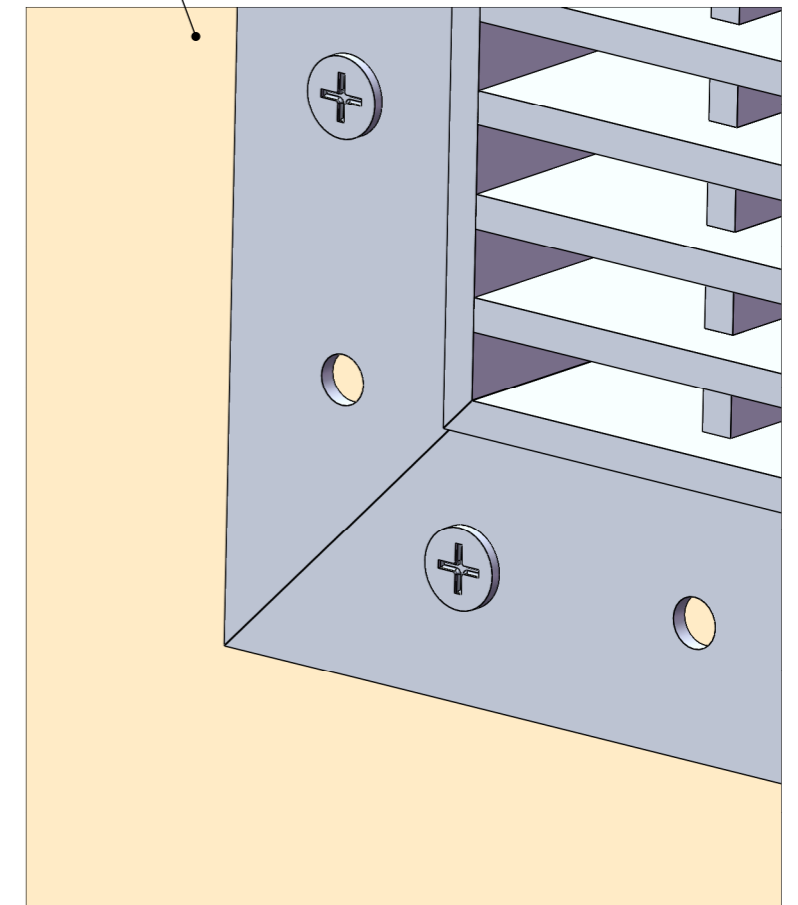


Step 1:
 Place welded j-frame & AG10 core into the opening.
 Attach j-frame to wall / ceiling using drywall screws (supplied by contractor).
 Screw through the provided holes in the flange as necessary.

	ARCHITECTURAL GRILLE			
	42 SECOND AVENUE BROOKLYN, NY 11215 WWW.ARCHGRILLE.COM			
CUSTOMER			Drawn by Heg	SIZE A3
DESCRIPTION	#512 Method of fastening		SCALE 1"=1.5"	REV -
			SHEET	DMS.512.2



Wall with frame set in



DETAIL B
SCALE 1.5 : 1

Step 2:
J-frame attached to wall / ceiling using drywall screws(supplied by contractor).



ARCHITECTURAL GRILLE

42 SECOND AVENUE
BROOKLYN, NY 11215
WWW.ARCHGRILLE.COM

CUSTOMER

Drawn by
Heg

SIZE	REV
A3	-

DESCRIPTION

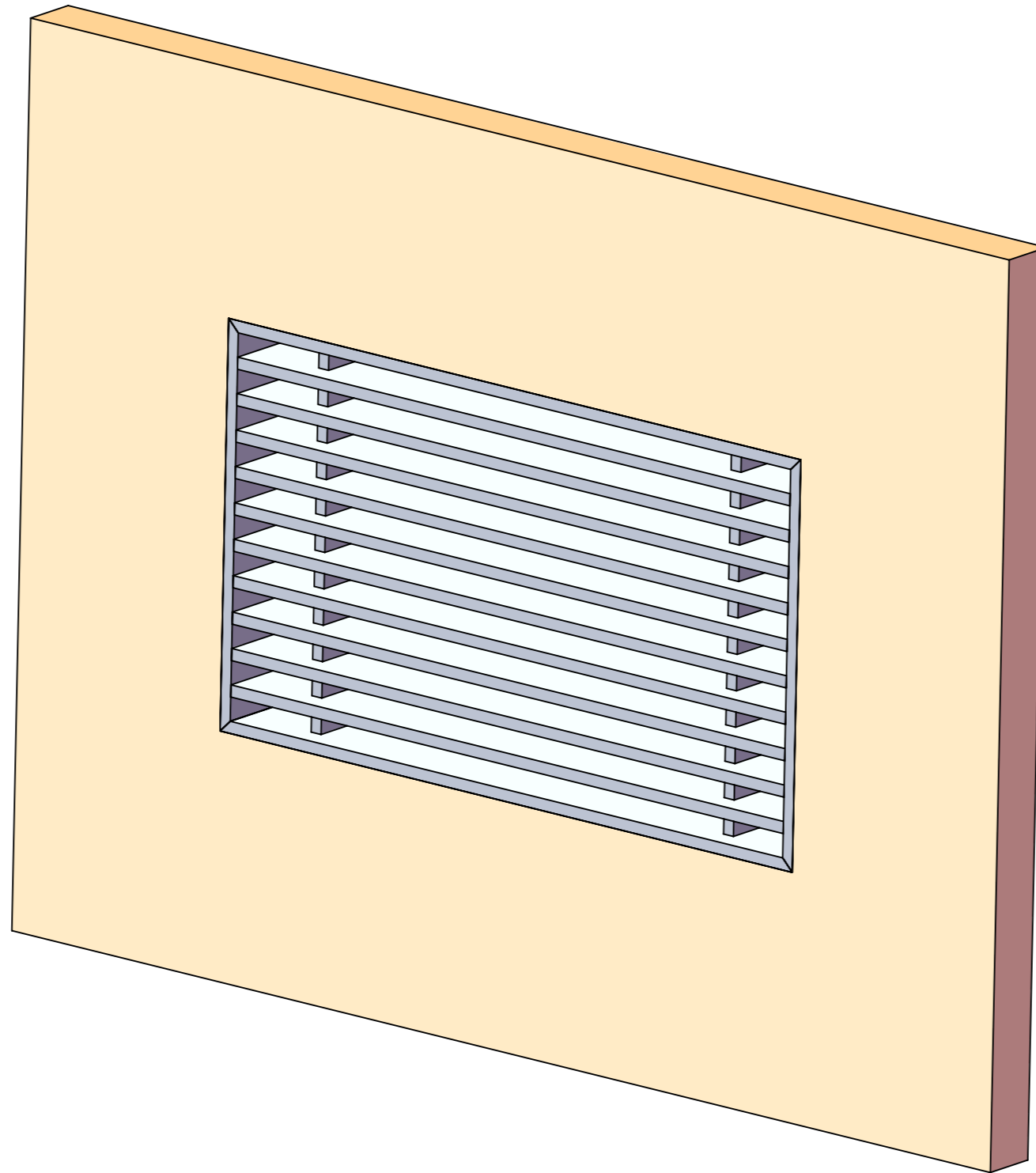
#512 Method of fastening

SCALE

1"=1.5"

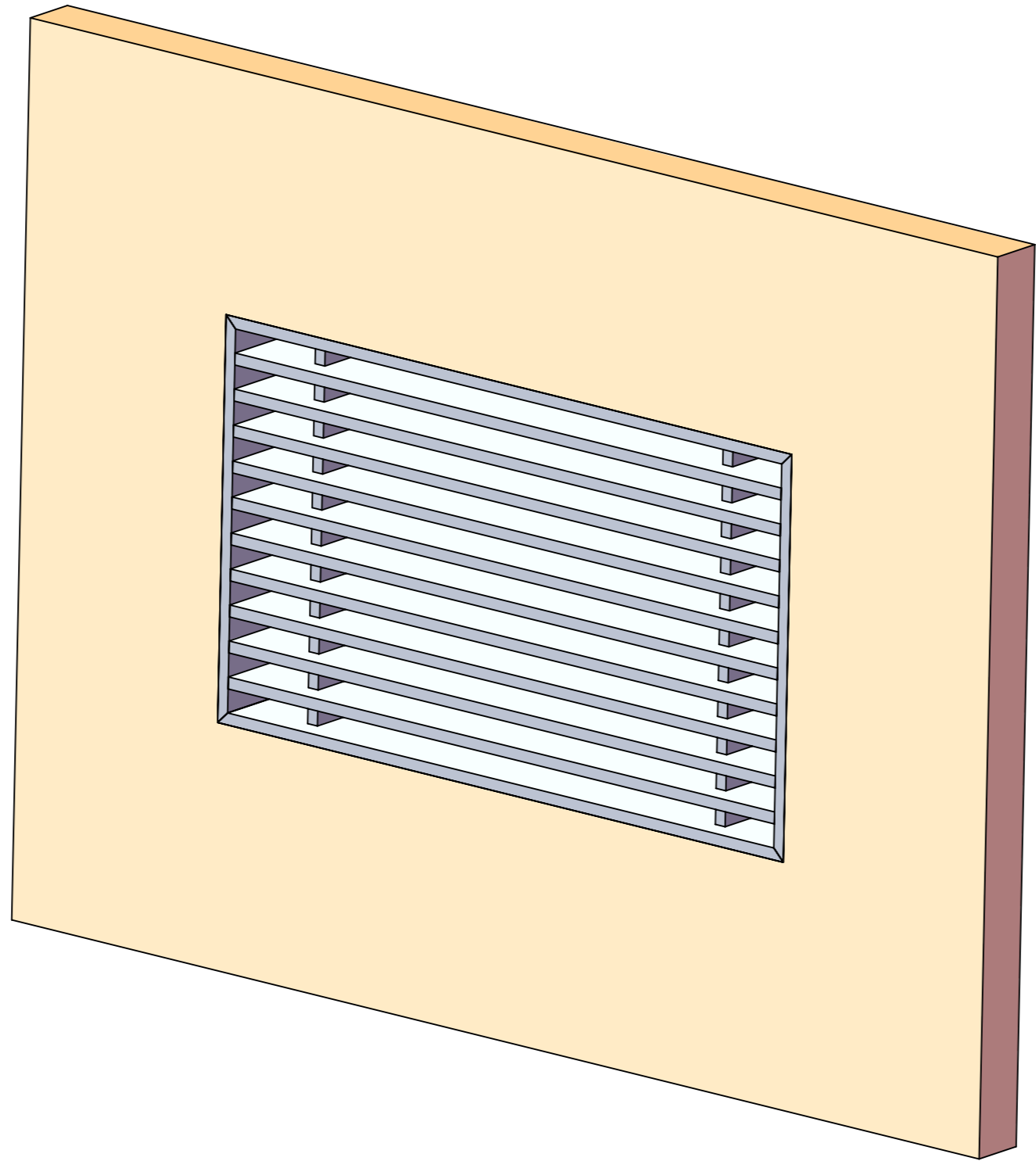
SHEET

DMS.512.3



Step 3:
 Spackle, sand and finish painting.

	ARCHITECTURAL GRILLE				
	42 SECOND AVENUE BROOKLYN, NY 11215 WWW.ARCHGRILLE.COM				
CUSTOMER			Drawn by Heg	SIZE A3	REV -
DESCRIPTION #512 Method of fastening			SCALE 1"=1.5"	SHEET DMS.512.4	



Installation complete.

	ARCHITECTURAL GRILLE				
	42 SECOND AVENUE BROOKLYN, NY 11215 WWW.ARCHGRILLE.COM				
CUSTOMER			Drawn by Heg	SIZE A3	REV -
DESCRIPTION #512 Method of fastening			SCALE 1"=1.5"	SHEET DMS.512.5	