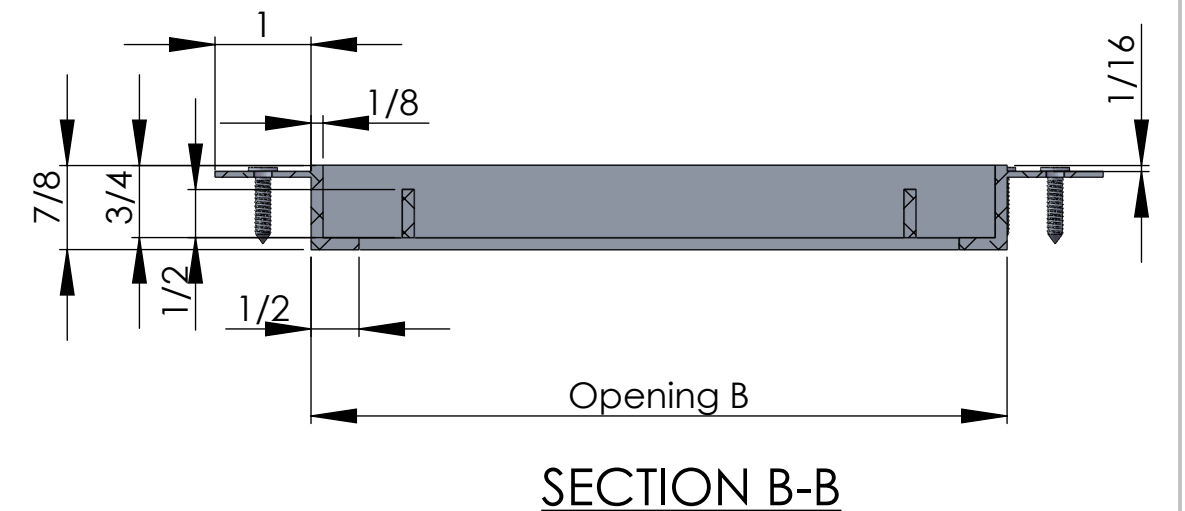
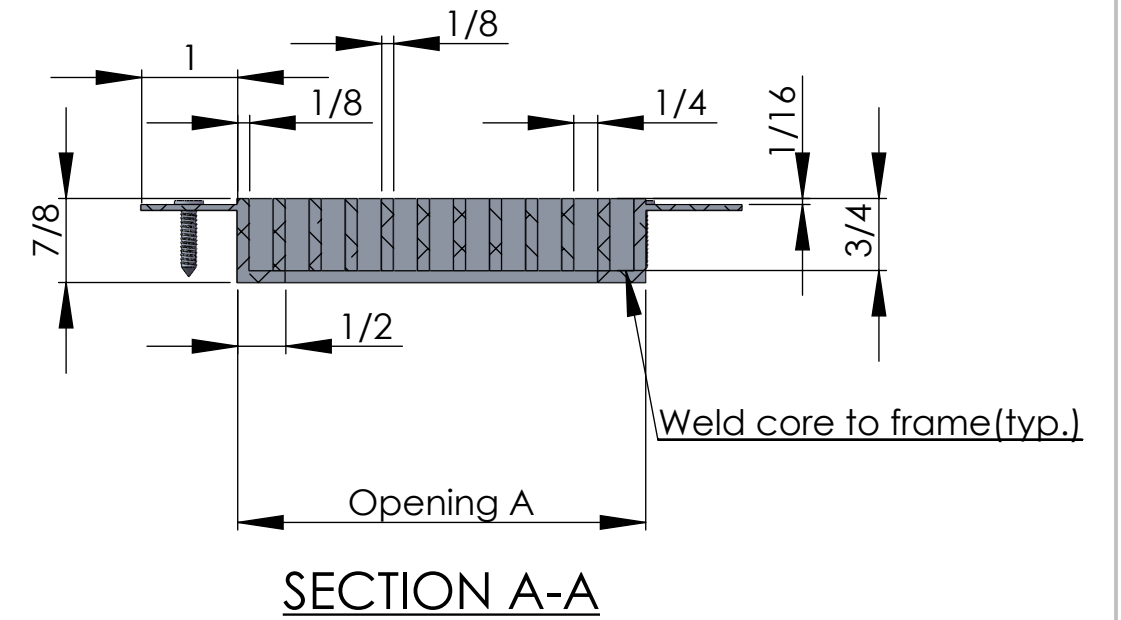
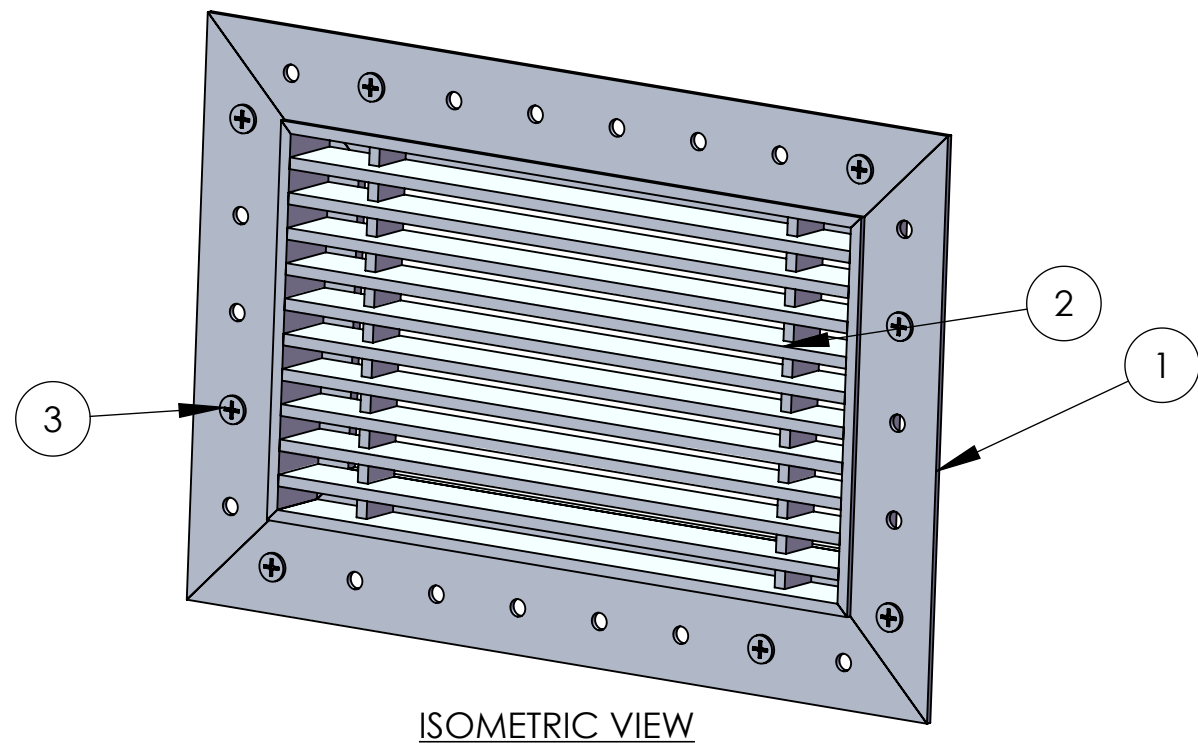
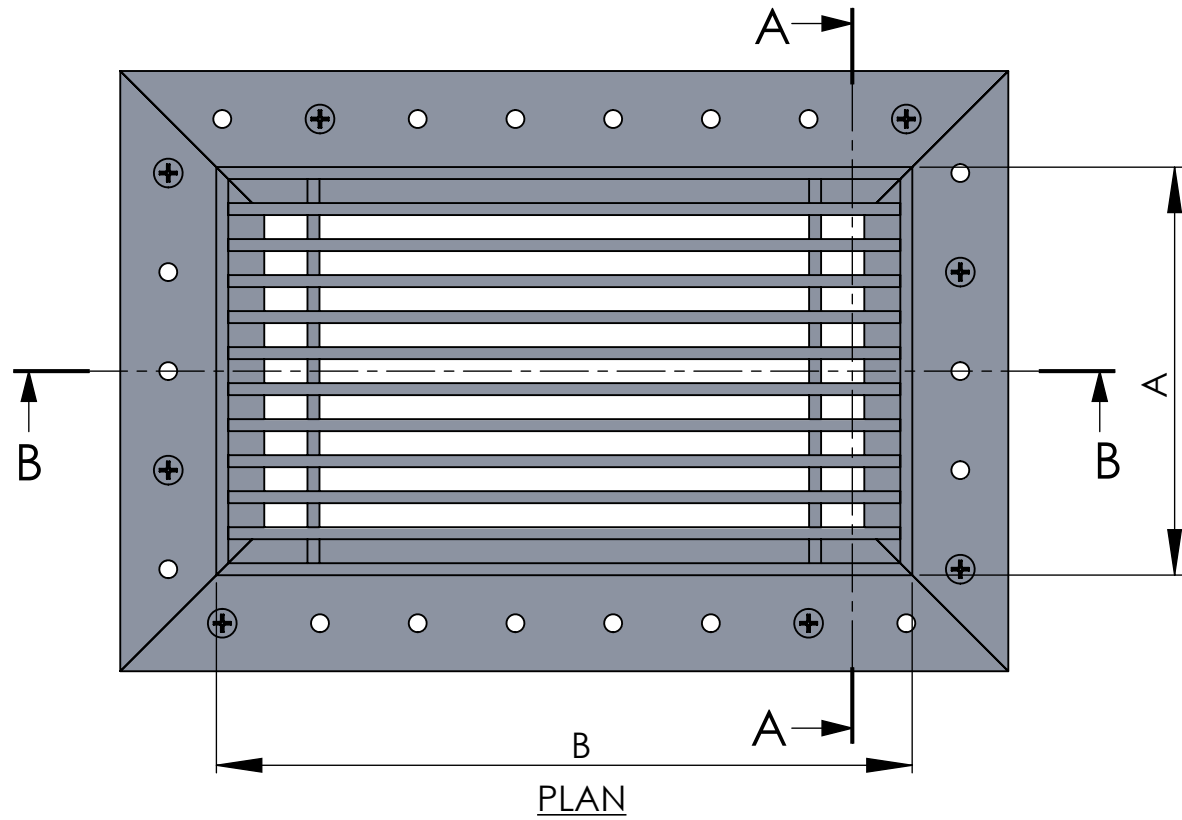




ITEM NO.	PART NUMBER	DESCRIPTION	QTY.
1	Standard J-frame(for aluminium)		1
2	Standard AG10 core		1
3	Typical dry wall screw(supplied by contractor)		8



	<b>ARCHITECTURAL GRILLE</b>			
	42 SECOND AVENUE BROOKLYN, NY 11215 WWW.ARCHGRILLE.COM			
CUSTOMER			Drawn by <b>Heg</b>	SIZE B
DESCRIPTION <b>#512 Method of fastening</b>			SCALE 1"=2"	REV -
			SHEET	DMS.512.0