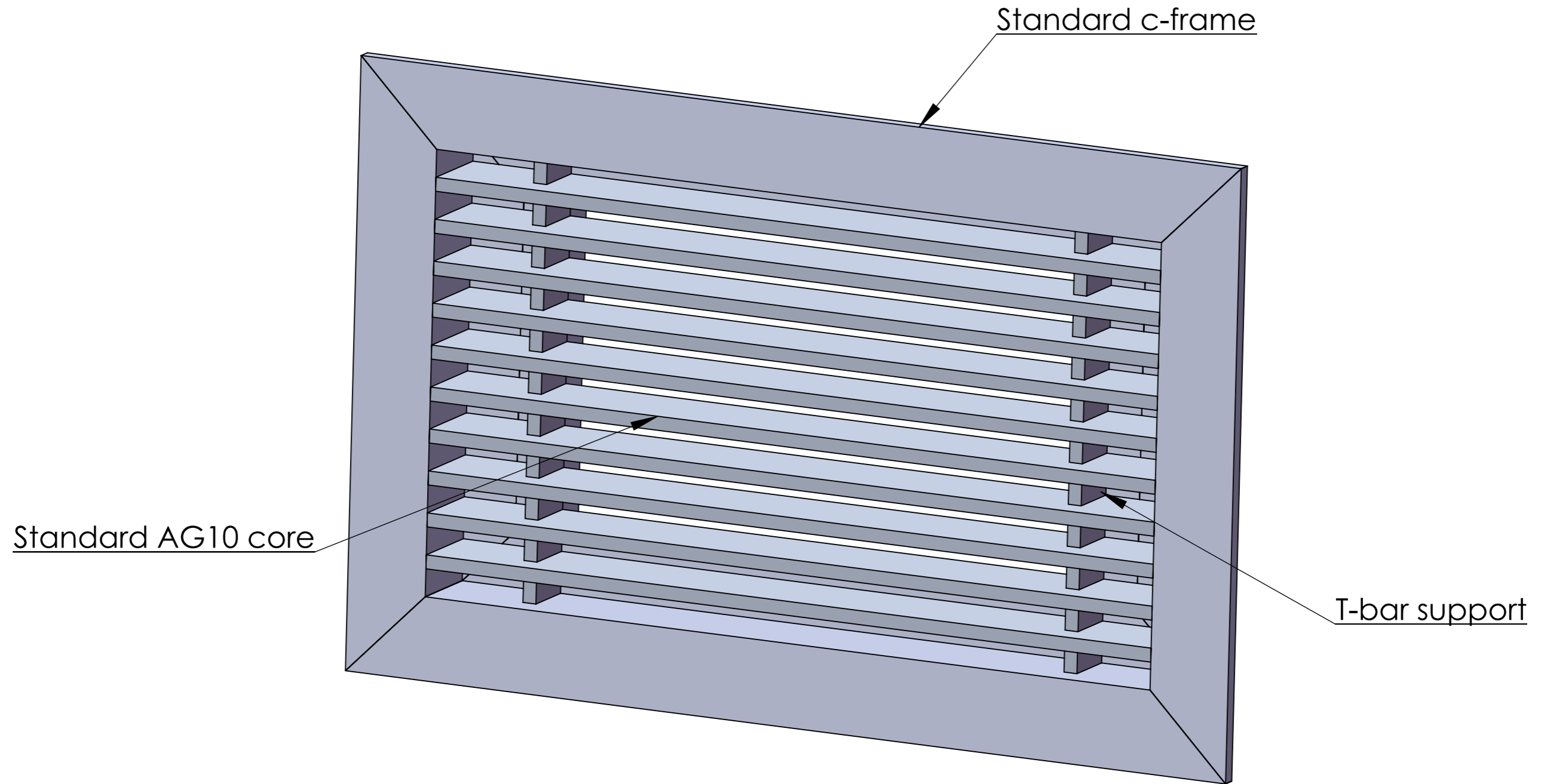
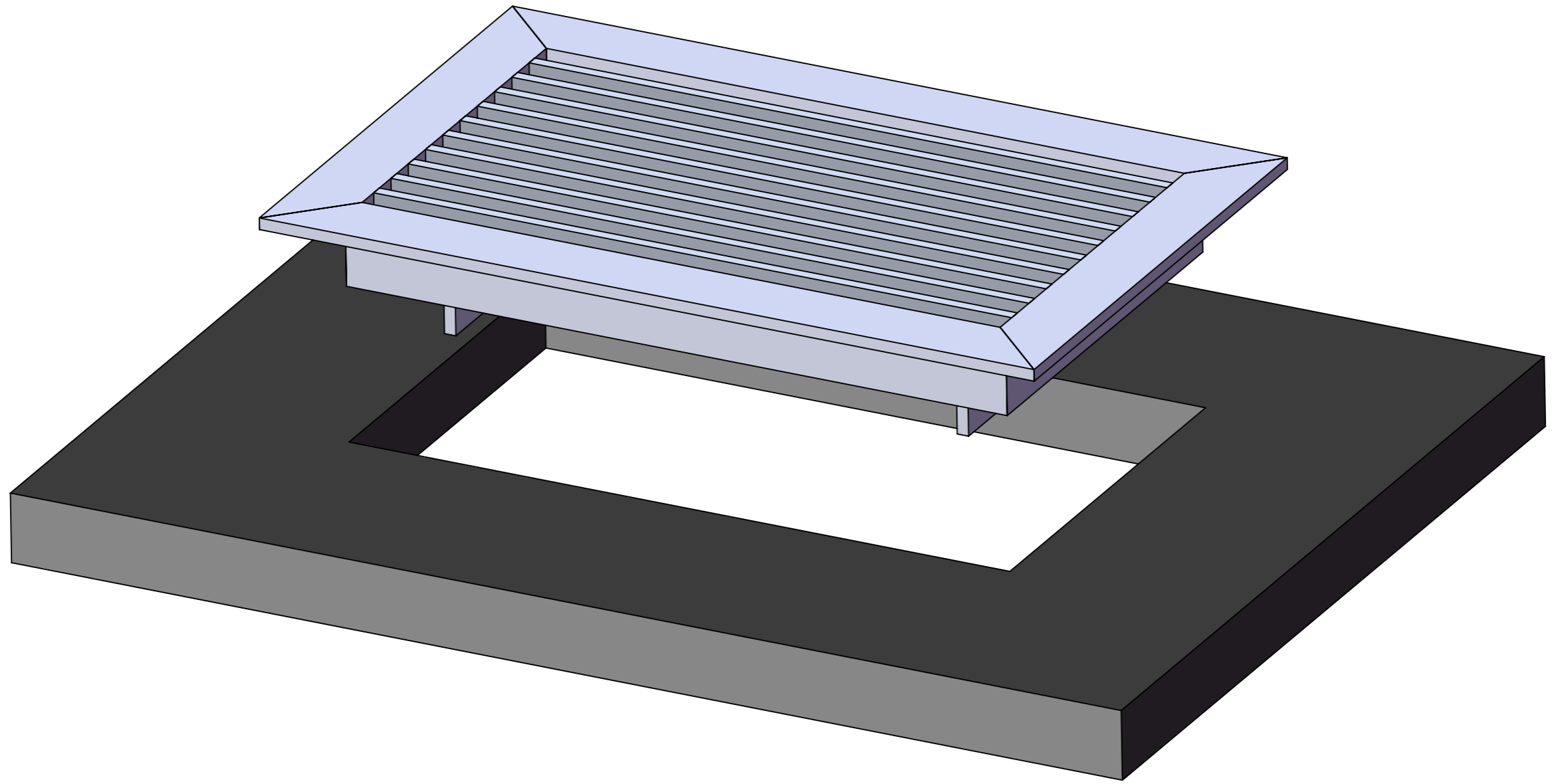


Parts needed for assembly using method #511



Disclaimer:
This step by step layout is one of the many ways someone can install their custom grille using method #511

	ARCHITECTURAL GRILLE				
	42 SECOND AVENUE BROOKLYN, NY 11215 WWW.ARCHGRILLE.COM				
CUSTOMER			Drawn by Heg	SIZE A3	REV -
DESCRIPTION #511 Method of fastening			SCALE 1"=1"	SHEET DMS.511.1	



Step 1:
Place the welded c-frame, AG10 core, t-bar support into opening.



ARCHITECTURAL GRILLE

42 SECOND AVENUE
BROOKLYN, NY 11215
WWW.ARCHGRILLE.COM

CUSTOMER

Drawn by
Heg

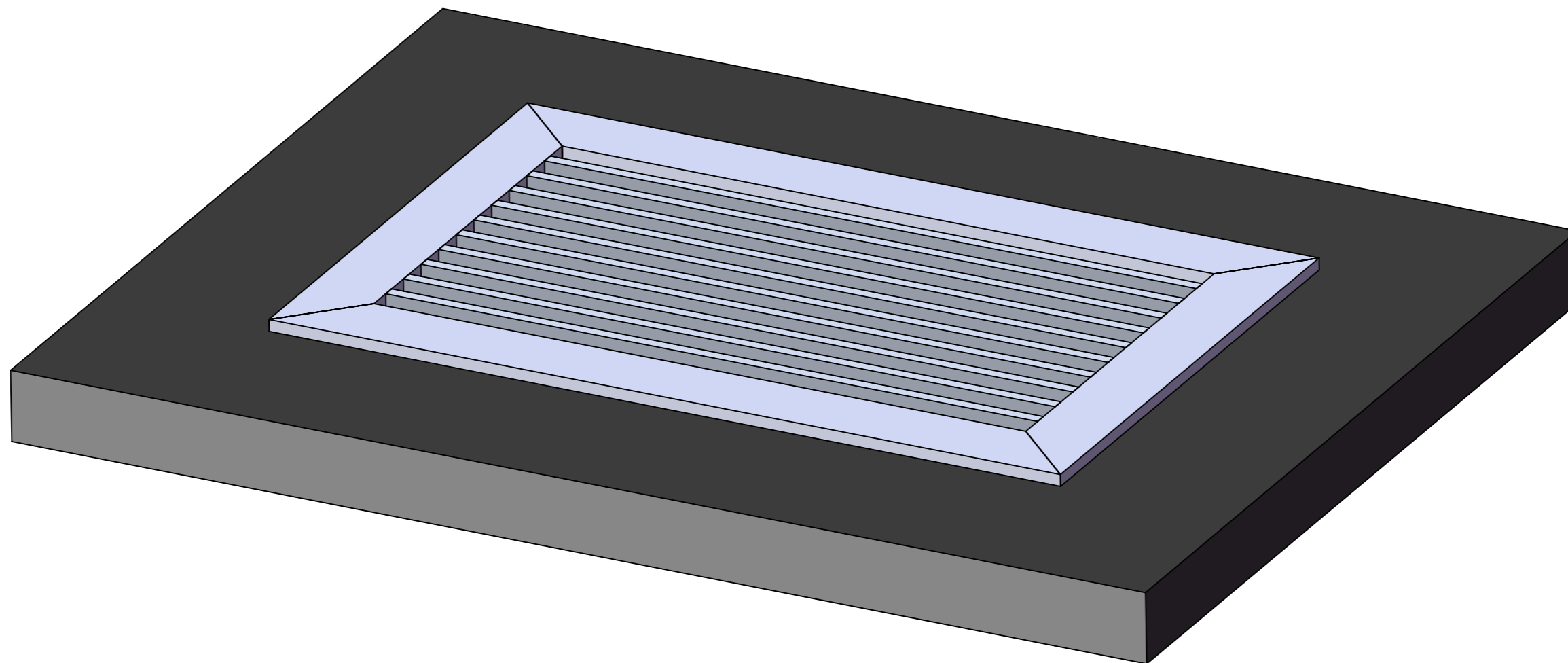
SIZE	REV
A3	-

DESCRIPTION

#511 Method of fastening


SCALE
1"=1.25"

SHEET
DMS.511.2



Step 2:
Fully welded grille placed into opening.

Installation complete.

	ARCHITECTURAL GRILLE				
	42 SECOND AVENUE BROOKLYN, NY 11215 WWW.ARCHGRILLE.COM				
CUSTOMER			Drawn by Heg	SIZE A3	REV -
DESCRIPTION #511 Method of fastening			SCALE 1"=1.25"	SHEET DMS.511.3	