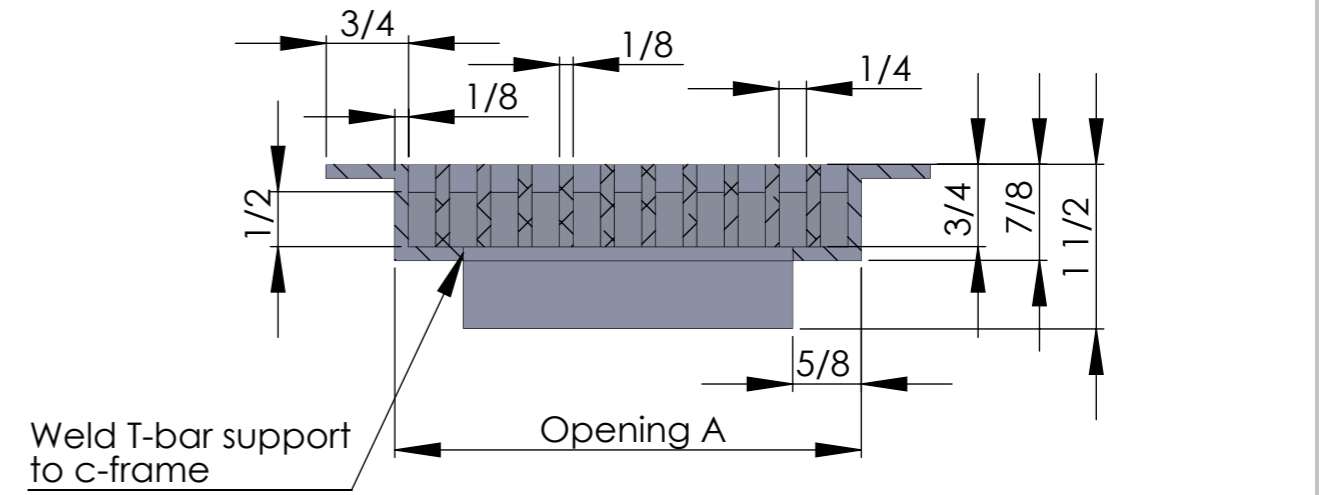
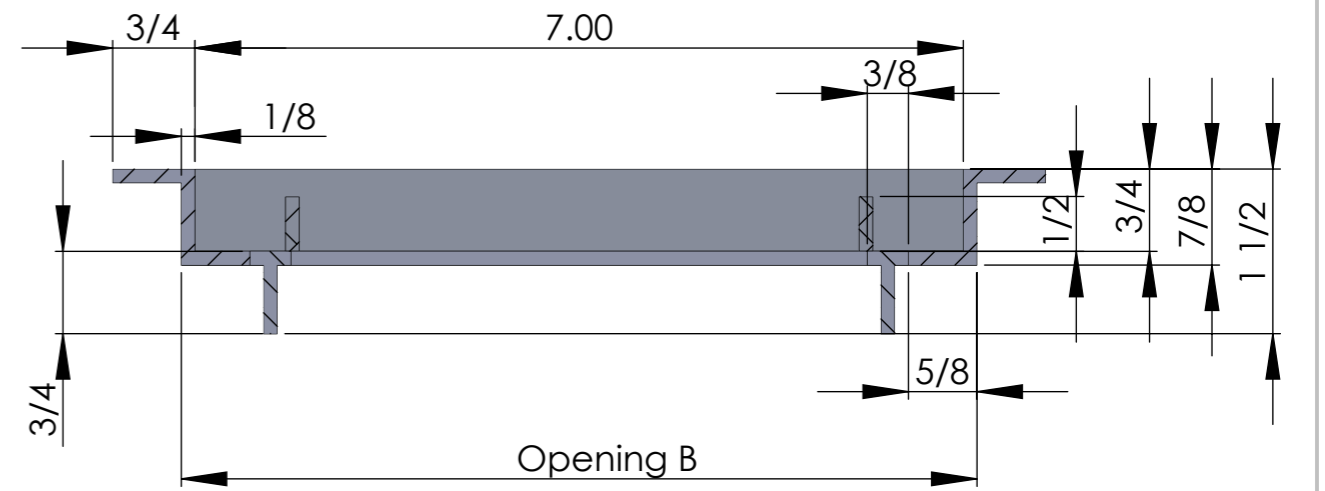


ITEM NO.	PART NUMBER	DESCRIPTION	QTY.
1	Standard AG10 core		1
2	Standard C-frame		1
3	T-bar support		2



SECTION A-A



SECTION B-B



ARCHITECTURAL GRILLE

42 SECOND AVENUE
 BROOKLYN, NY 11215
 WWW.ARCHGRILLE.COM

CUSTOMER	Drawn by Heg	SIZE B	REV -
DESCRIPTION #511 Bar grille	SCALE 1"=1.75"	SHEET DMS.511.0	