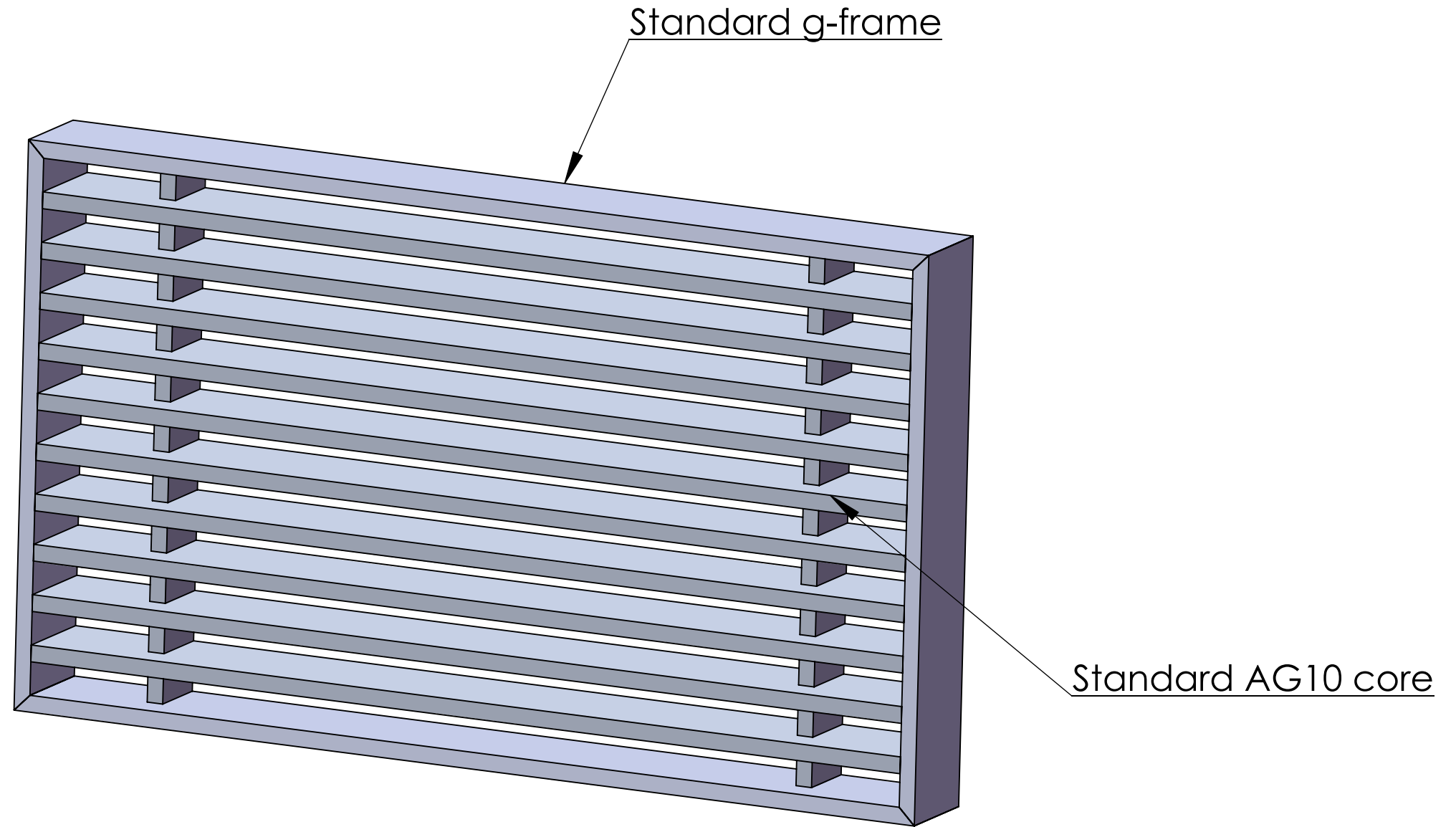
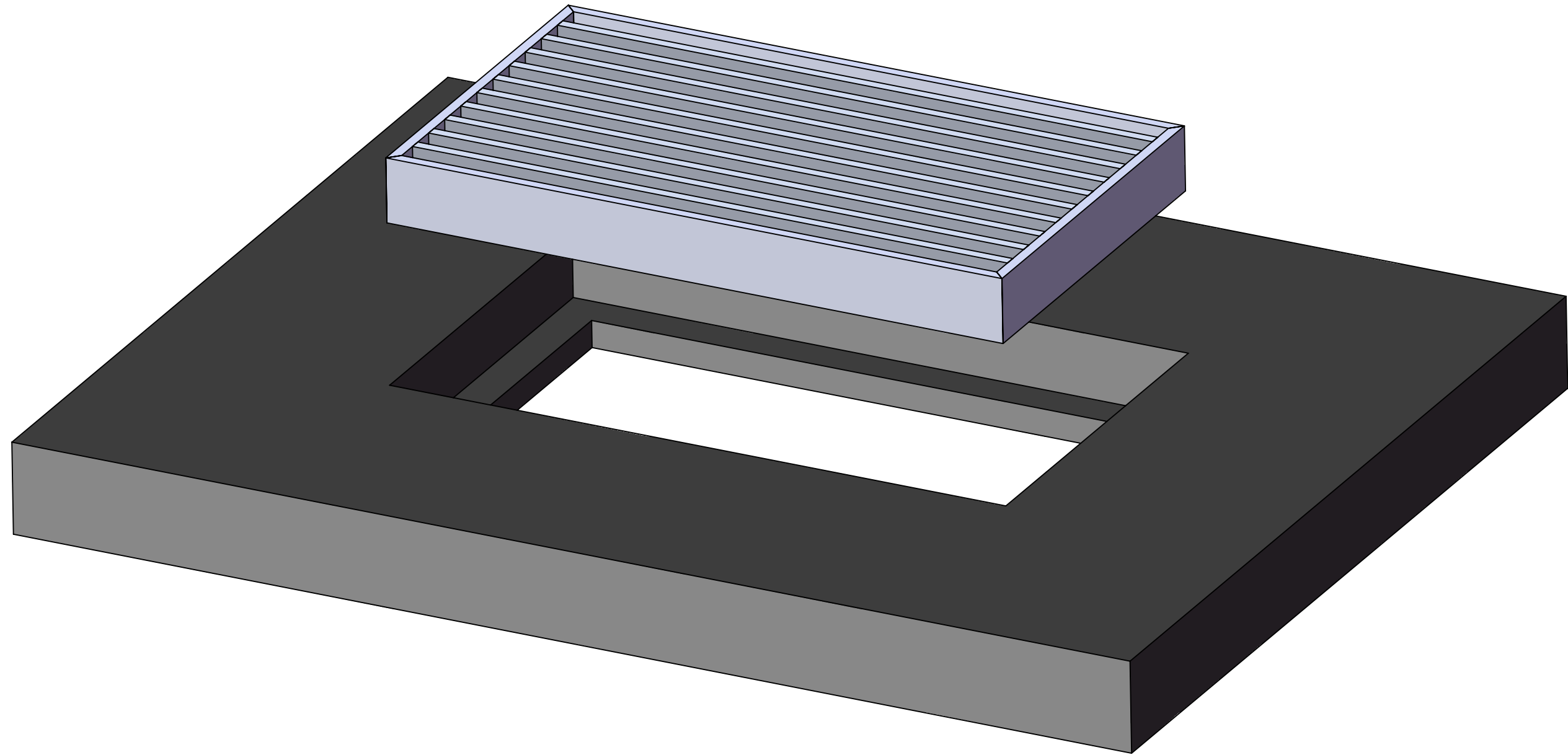


Parts needed for assembly using method #510



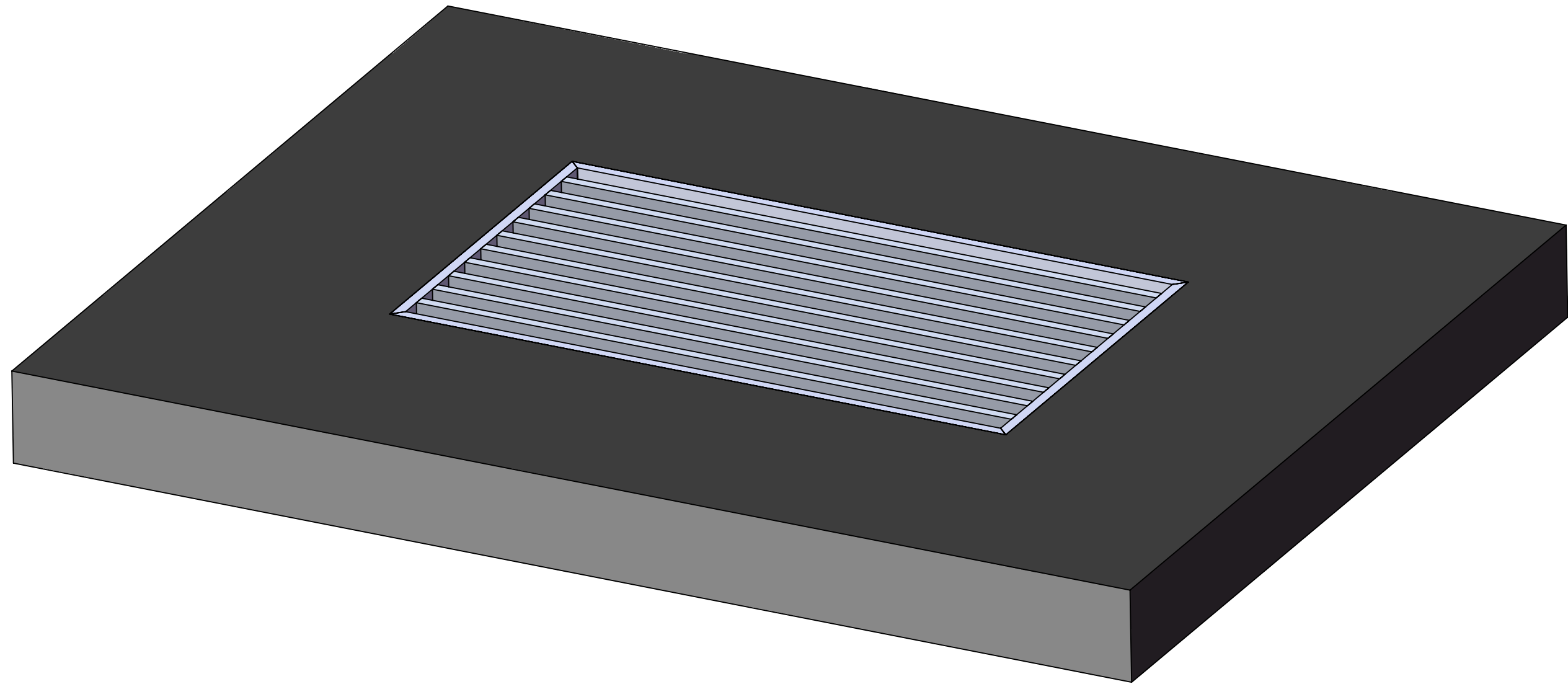
Disclaimer:
This step by step layout is one of the many ways someone can install their custom grille using method #510

| | | | | | |
|---|--|--|------------------------|---------------------------|----------|
|  | ARCHITECTURAL GRILLE | | | | |
| | 42 SECOND AVENUE BROOKLYN, NY 11215 WWW.ARCHGRILLE.COM | | | | |
| CUSTOMER | | | Drawn by Heg | SIZE A3 | REV - |
| DESCRIPTION #510 Method of fastening | | | SCALE 1"=1" | SHEET DMS.510.1 | |



Step 1:
Place the welded g-frame & AG10 core into the opening.

| | | | | | |
|---|--|--|------------------------|--------------------|----------|
|  | ARCHITECTURAL GRILLE | | | | |
| | 42 SECOND AVENUE BROOKLYN, NY 11215 WWW.ARCHGRILLE.COM | | | | |
| CUSTOMER | | | Drawn by Heg | SIZE A3 | REV - |
| DESCRIPTION #510 Method of fastening | | | SCALE 1"=1.25" | SHEET DMS.510.2 | |



Step 2:
Grille placed into opening.
Installation complete.

| | | | | | |
|---|--|--|------------------------|--------------------|----------|
|  | ARCHITECTURAL GRILLE | | | | |
| | 42 SECOND AVENUE BROOKLYN, NY 11215 WWW.ARCHGRILLE.COM | | | | |
| CUSTOMER | | | Drawn by Heg | SIZE A3 | REV - |
| DESCRIPTION #510 Method of fastening | | | SCALE 1"=1.25" | SHEET DMS.510.3 | |