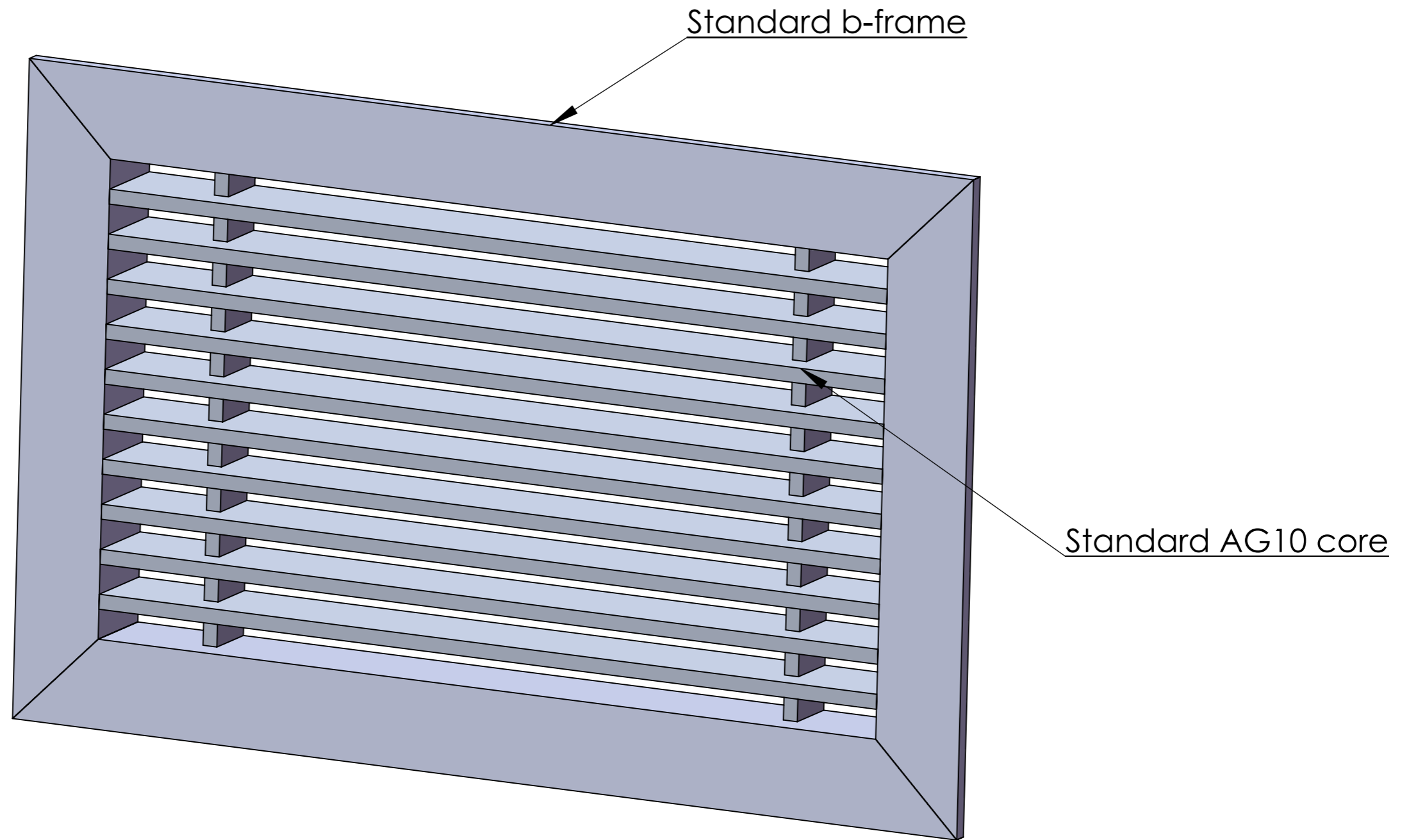
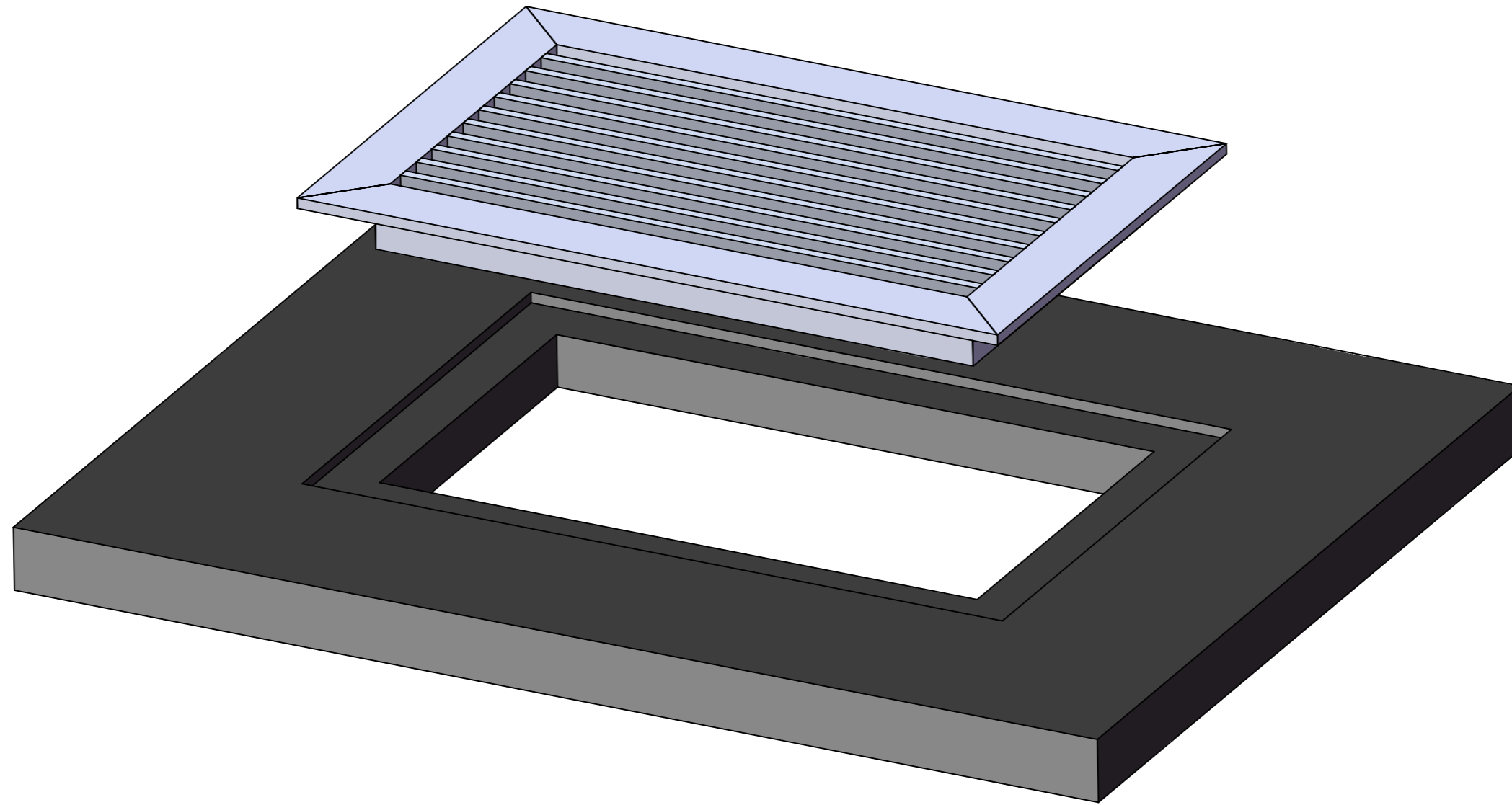


Parts needed for assembly using method #506



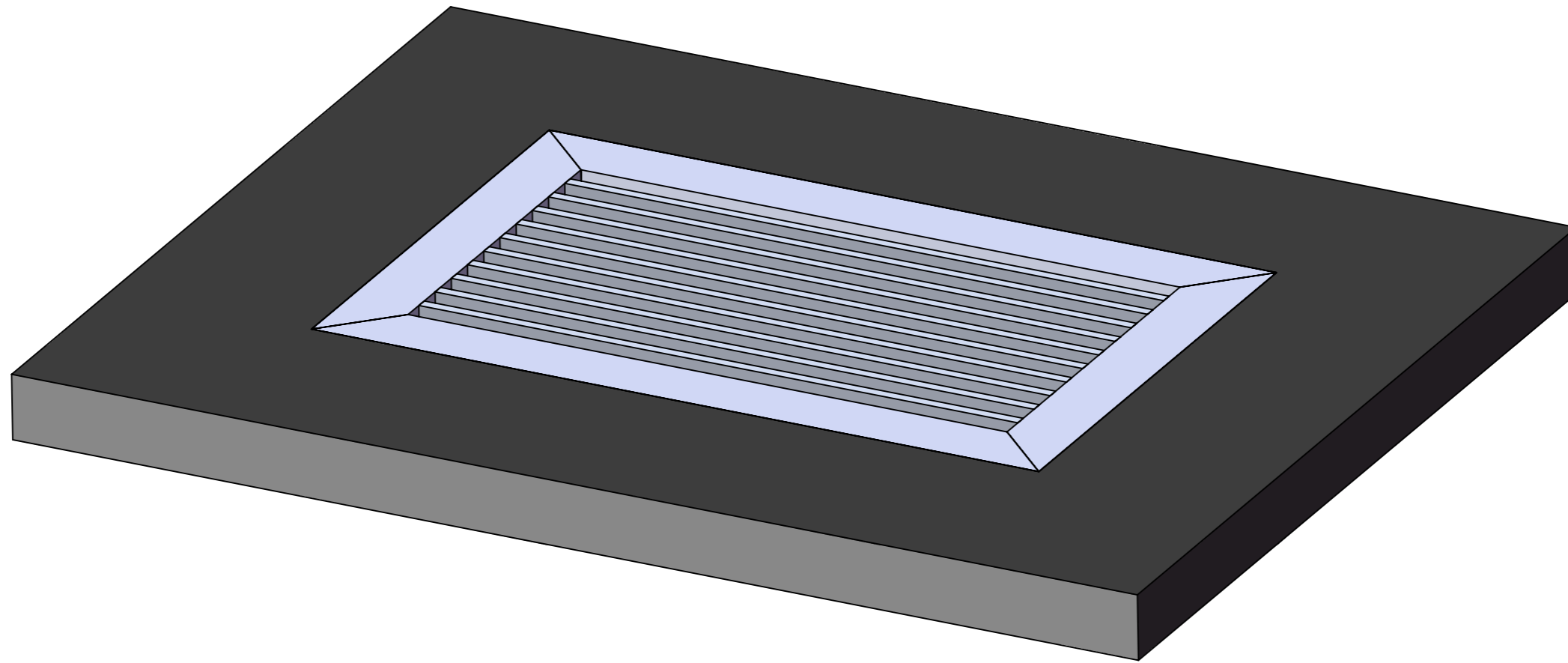
Disclaimer:  
This step by step layout is one of the many ways someone can install their custom grille using method #506

	<b>ARCHITECTURAL GRILLE</b>			
	42 SECOND AVENUE BROOKLYN, NY 11215 WWW.ARCHGRILLE.COM			
CUSTOMER			Drawn by <b>Heg</b>	SIZE A3
DESCRIPTION		SCALE	SHEET	
<b>#506 Method of fastening</b>		1"=1"	<b>DMS.506.1</b>	



Step 1:  
Place the welded b-frame & AG10 core into a pre-routed opening for flush mounting.

	<b>ARCHITECTURAL GRILLE</b>				
	42 SECOND AVENUE BROOKLYN, NY 11215 WWW.ARCHGRILLE.COM				
CUSTOMER			Drawn by <b>Heg</b>	SIZE A3	REV -
DESCRIPTION <b>#506 Method of fastening</b>			SCALE 1"=1.5"	SHEET DMS.506.2	



Step 2:  
Welded b-frame & AG10 core placed into a pre-routed opening.

Installation complete.

	<b>ARCHITECTURAL GRILLE</b>				
	42 SECOND AVENUE BROOKLYN, NY 11215 WWW.ARCHGRILLE.COM				
CUSTOMER			Drawn by <b>Heg</b>	SIZE A3	REV -
DESCRIPTION <b>#506 Method of fastening</b>			SCALE 1"=1.5"	SHEET DMS.506.3	