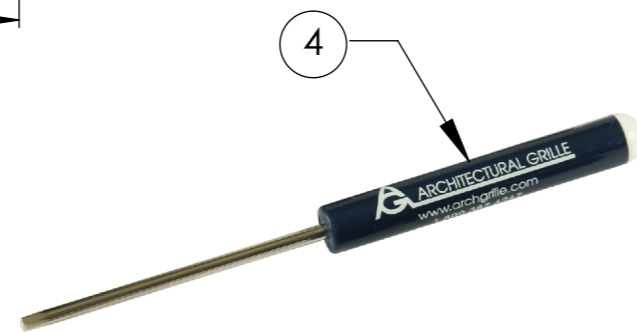
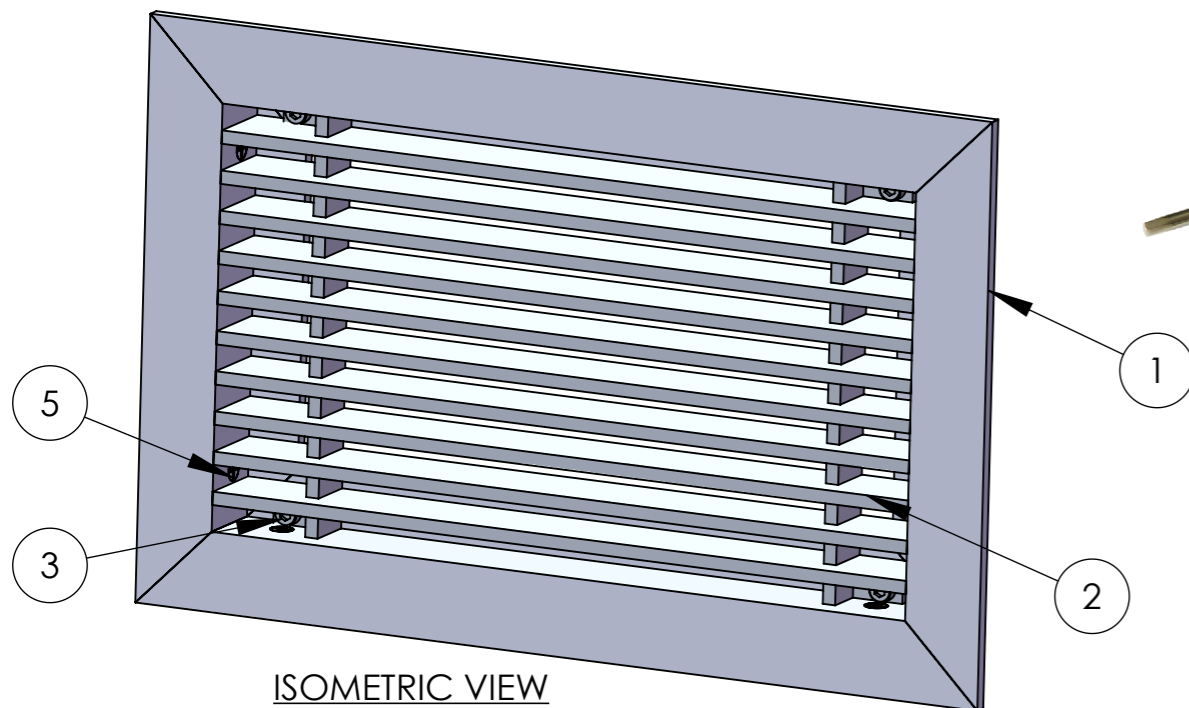
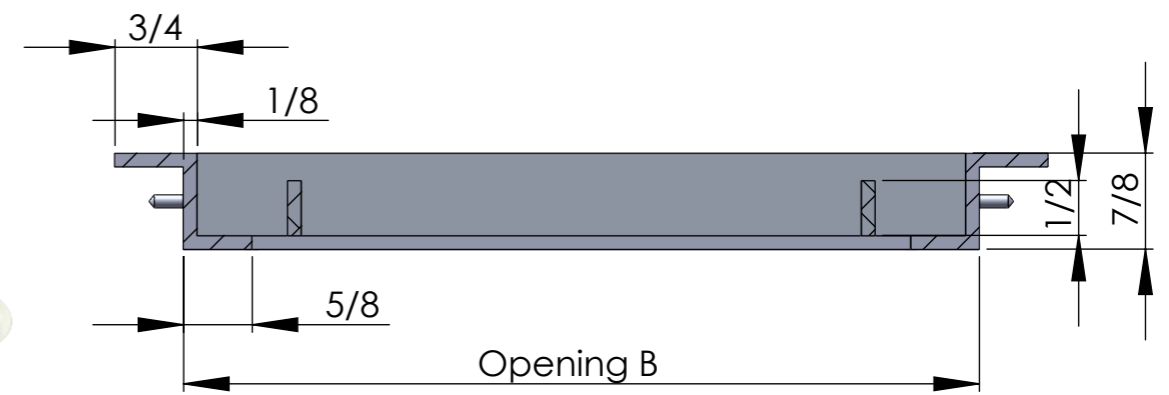
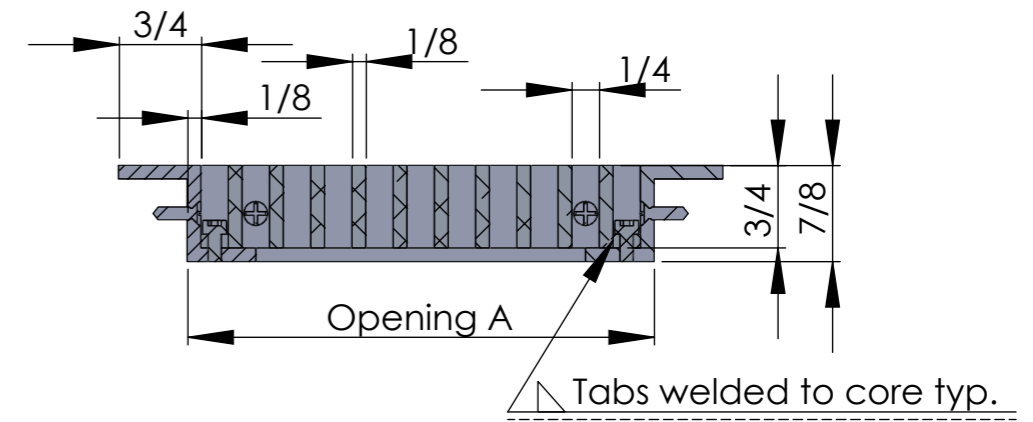
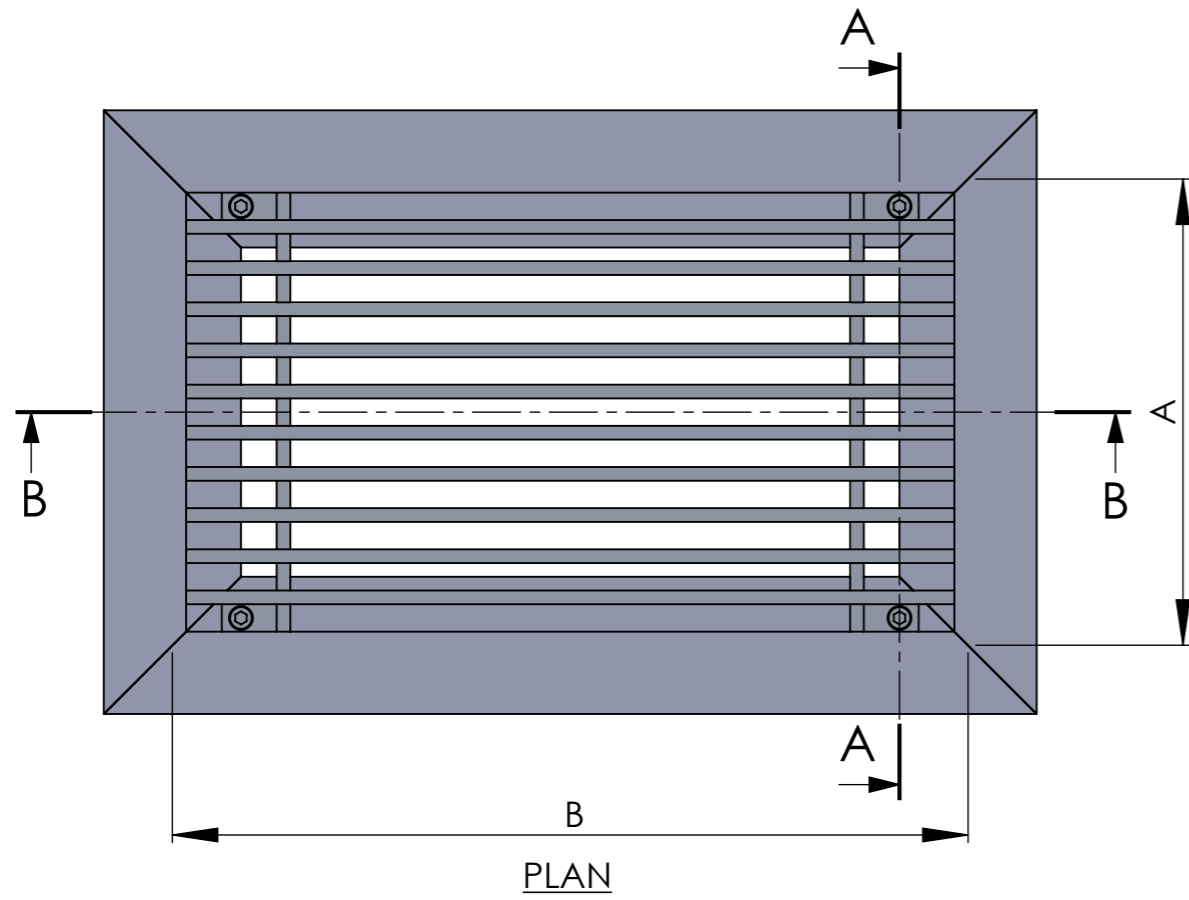



ITEM NO.	PART NUMBER	DESCRIPTION	QTY.
1	Standard C-frame		1
2	Standard AG10 core (with fastening tabs)		1
3	Hex head screw (provided)		4
4	Hex head screw driver (provided)		1
5	Side wall screw (supplied by contractor)		8



	ARCHITECTURAL GRILLE			
	42 SECOND AVENUE BROOKLYN, NY 11215 WWW.ARCHGRILLE.COM			
CUSTOMER	Drawn by Heg		SIZE B	REV -
DESCRIPTION #505 Bar grille	SCALE 1"=1.75"		SHEET DMS.505.0	