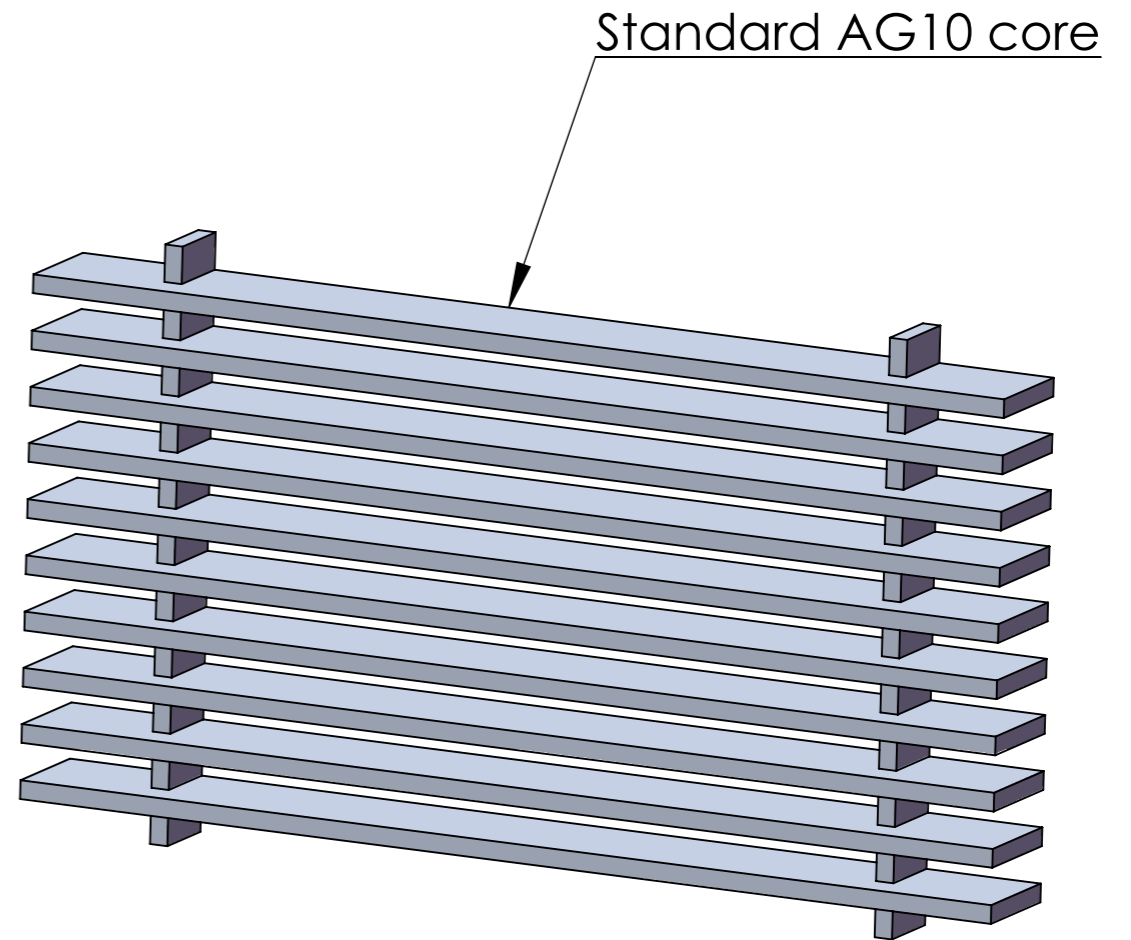
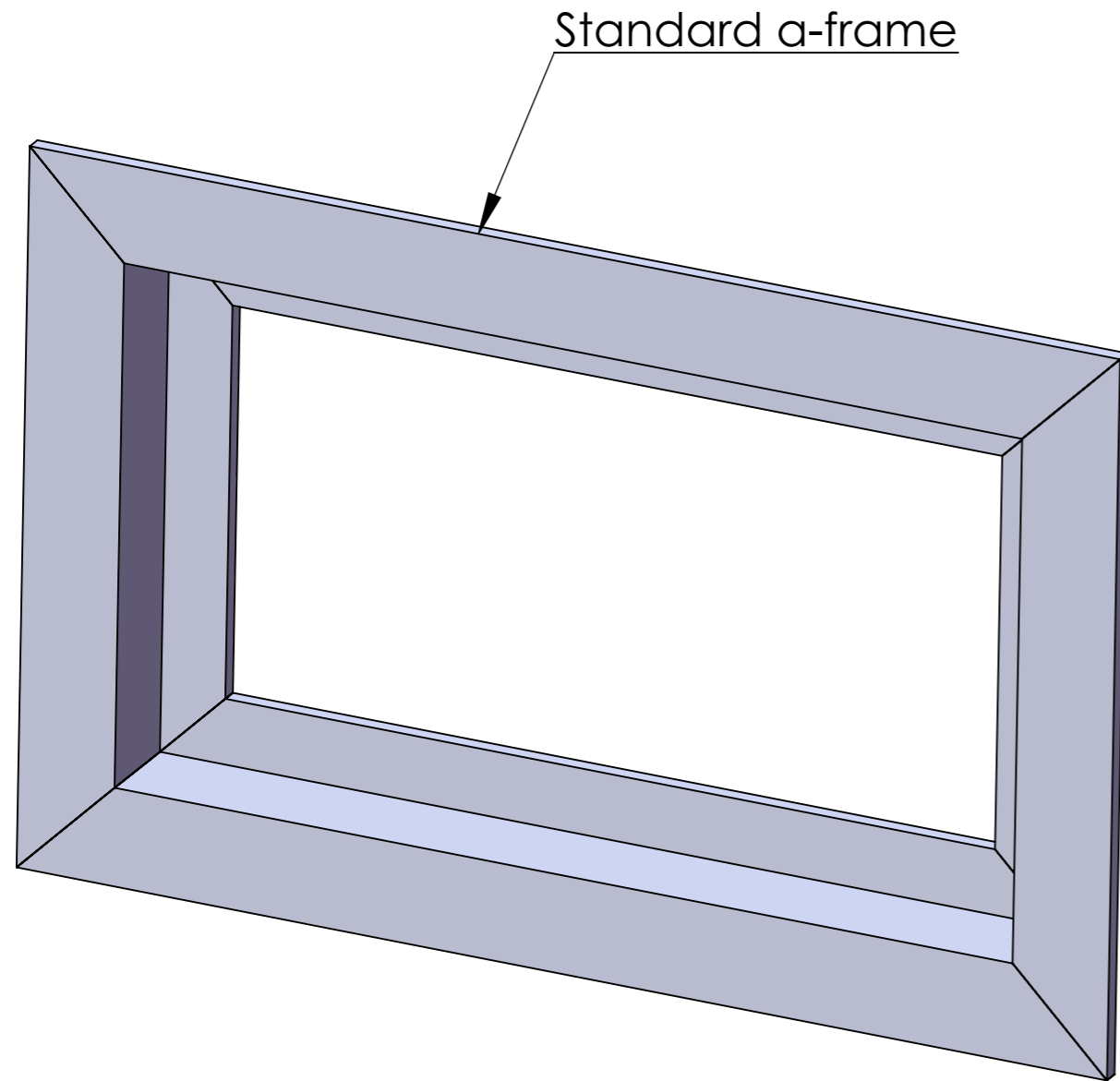

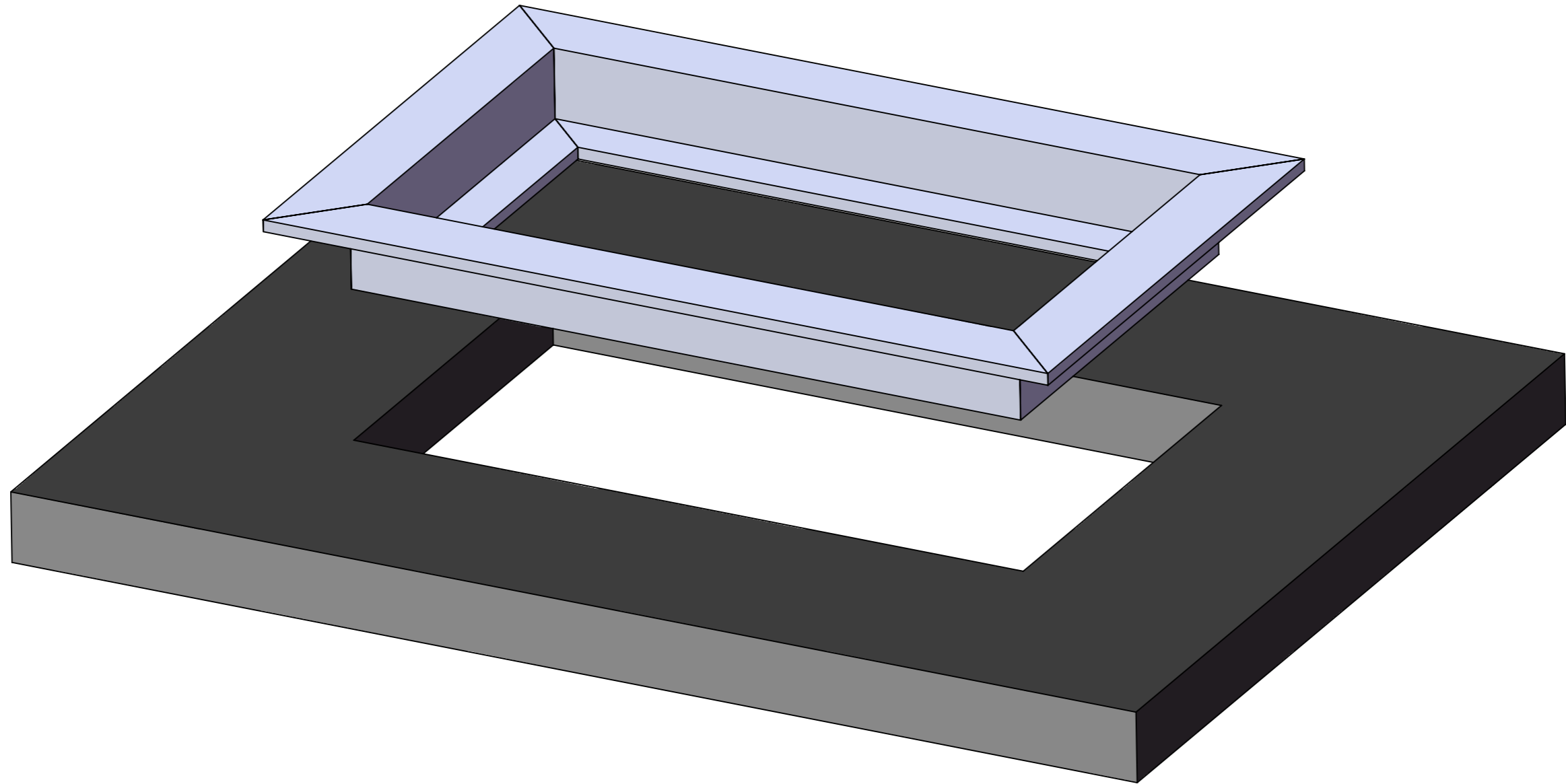


Parts needed for assembly using method #504



Disclaimer:  
This step by step layout is one of the many ways someone can install their custom grille using method #504

	<b>ARCHITECTURAL GRILLE</b>				
	42 SECOND AVENUE BROOKLYN, NY 11215 WWW.ARCHGRILLE.COM				
CUSTOMER			Drawn by <b>Heg</b>	SIZE A3	REV -
DESCRIPTION <b>#504 Method of fastening</b>		SCALE 1"=1.25"	SHEET DMS.504.1		



Step 1:  
Place the c-frame into the floor opening.



**ARCHITECTURAL GRILLE**

42 SECOND AVENUE  
BROOKLYN, NY 11215  
WWW.ARCHGRILLE.COM

CUSTOMER

Drawn by  
**Heg**

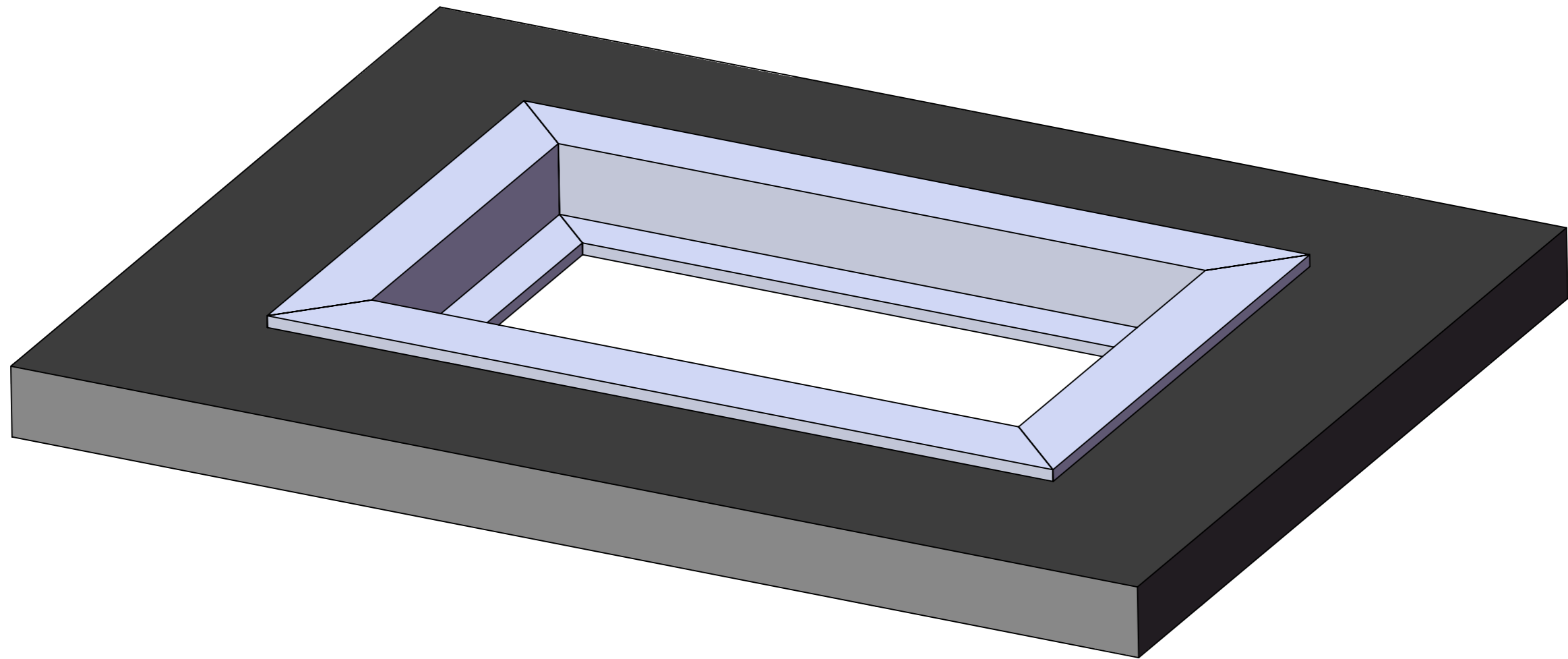
SIZE	REV
A3	-

DESCRIPTION

**#504 Method of fastening**

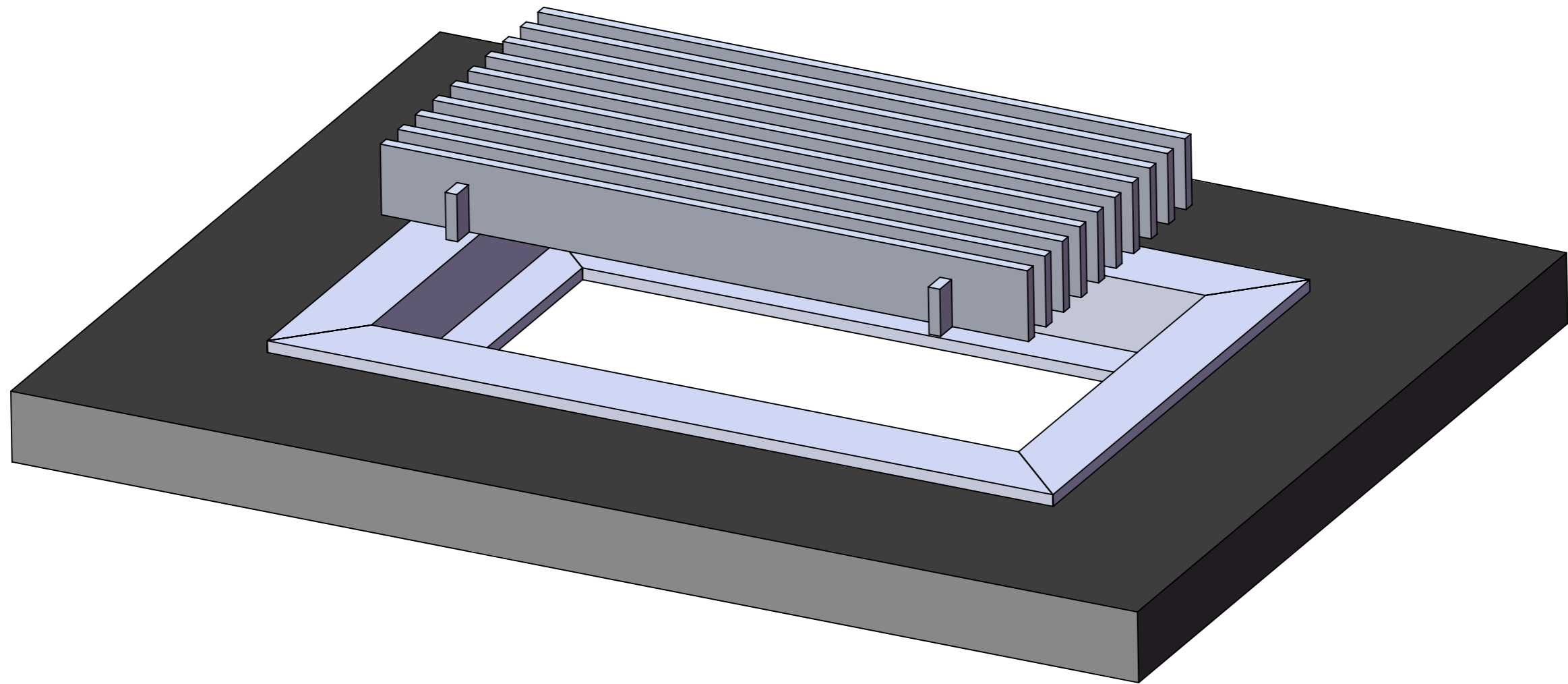
SCALE
1"=1.25"

SHEET
DMS.504.2



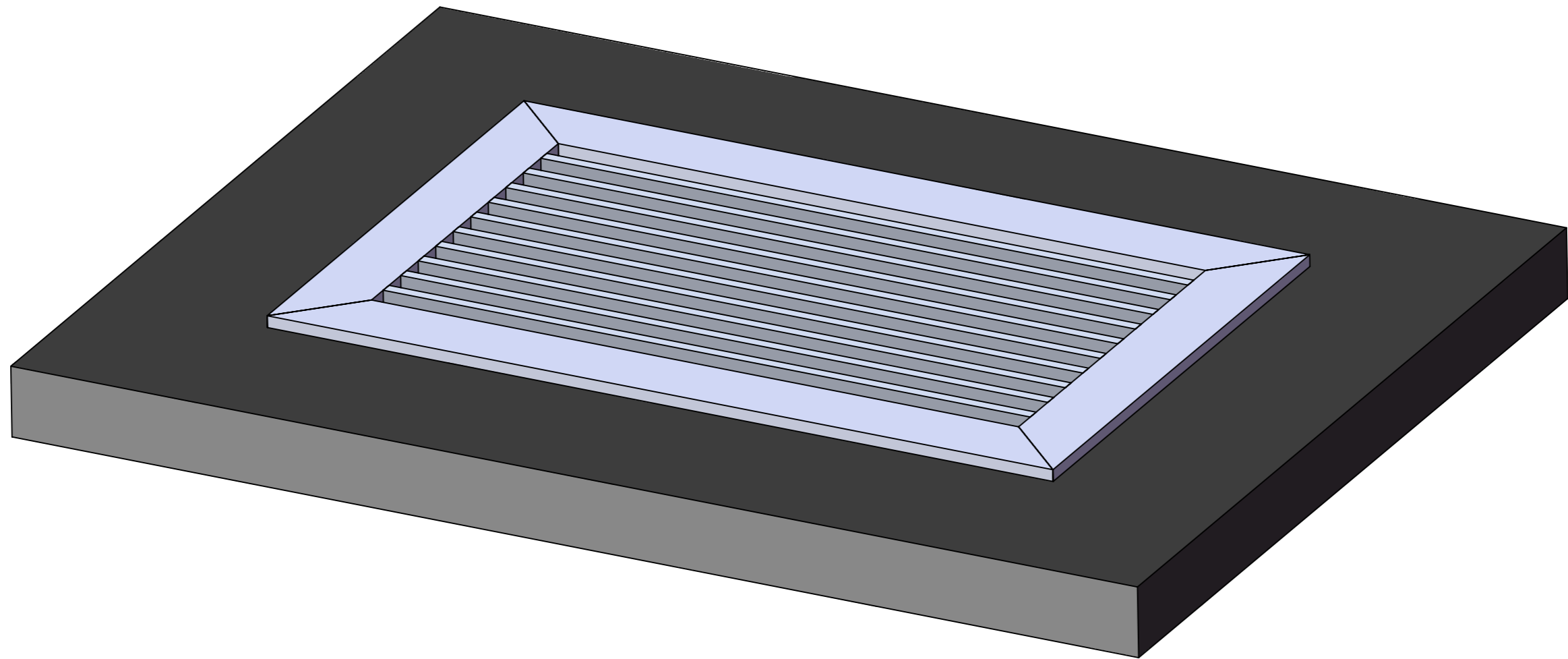
Step 2:  
c-frame placed into the opening.

	<b>ARCHITECTURAL GRILLE</b>				
	42 SECOND AVENUE BROOKLYN, NY 11215 WWW.ARCHGRILLE.COM				
CUSTOMER			Drawn by <b>Heg</b>	SIZE A3	REV -
DESCRIPTION <b>#504 Method of fastening</b>			SCALE 1"=1.25"	SHEET DMS.504.3	



Step 3:  
Place the core on the c-frame.

	<b>ARCHITECTURAL GRILLE</b>			
	42 SECOND AVENUE BROOKLYN, NY 11215 WWW.ARCHGRILLE.COM			
CUSTOMER			<b>Drawn by</b> <b>Heg</b>	SIZE A3
DESCRIPTION	<b>#504 Method of fastening</b>		SCALE 1"=1.25"	REV -  SHEET DMS.504.4



Step 4:  
Core placed on the c-frame.

(Core can be loose or welded to c-frame.)

Installation complete.

	<b>ARCHITECTURAL GRILLE</b>				
	42 SECOND AVENUE BROOKLYN, NY 11215 WWW.ARCHGRILLE.COM				
CUSTOMER			Drawn by <b>Heg</b>	SIZE A3	REV -
DESCRIPTION <b>#504 Method of fastening</b>			SCALE 1"=1.25"	SHEET DMS.504.5	