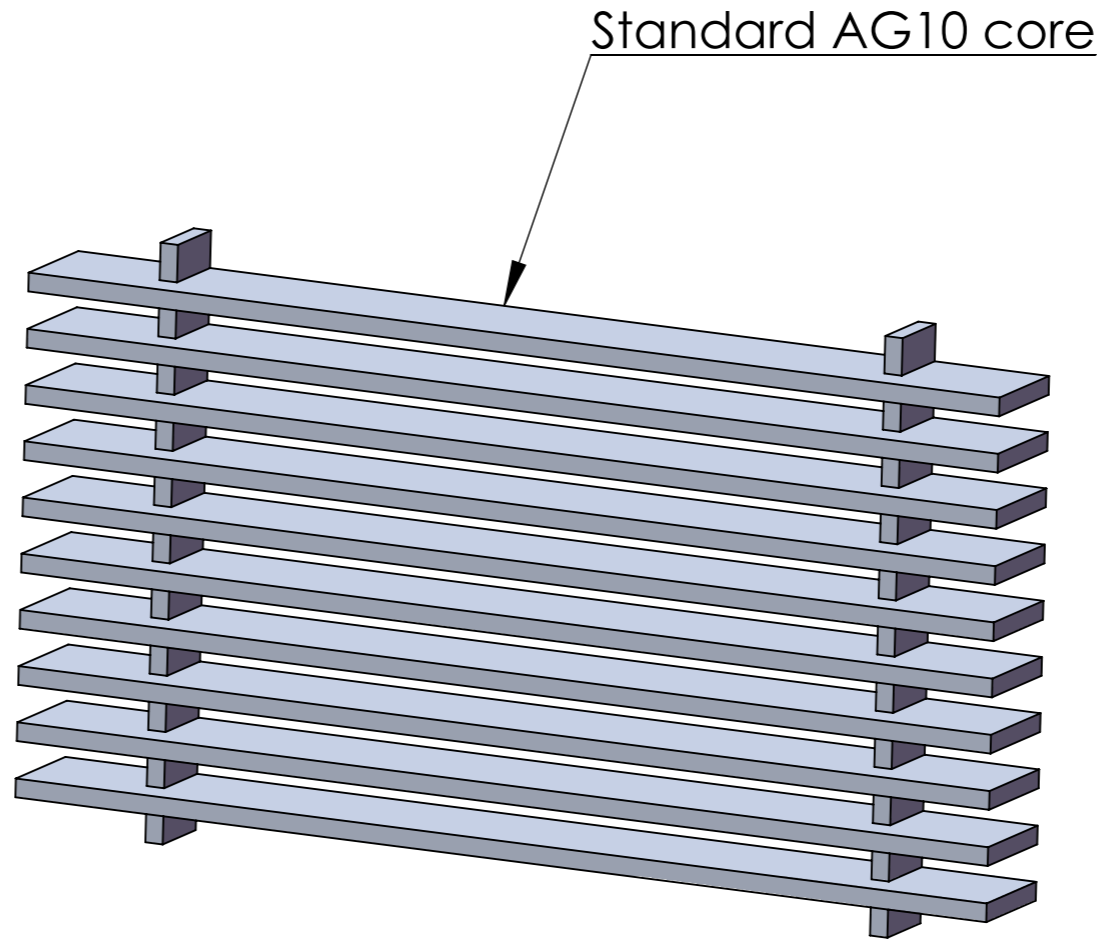
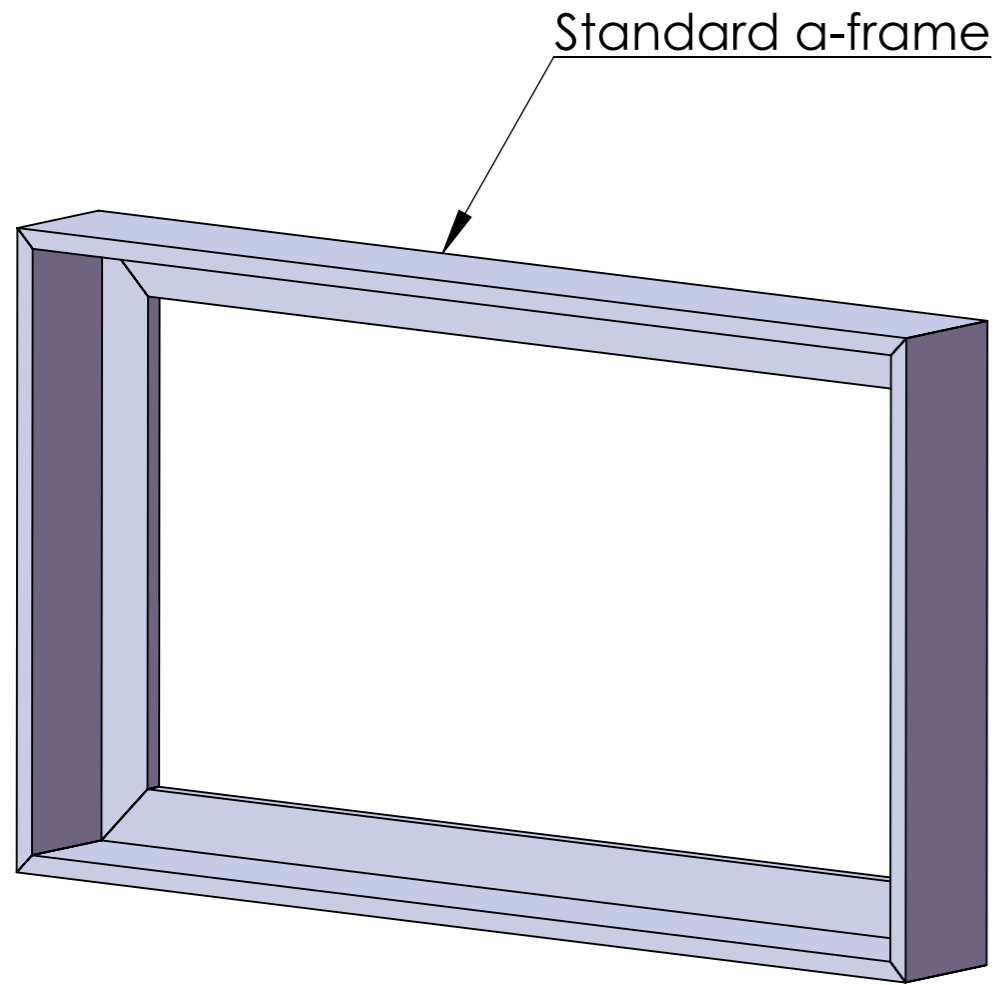
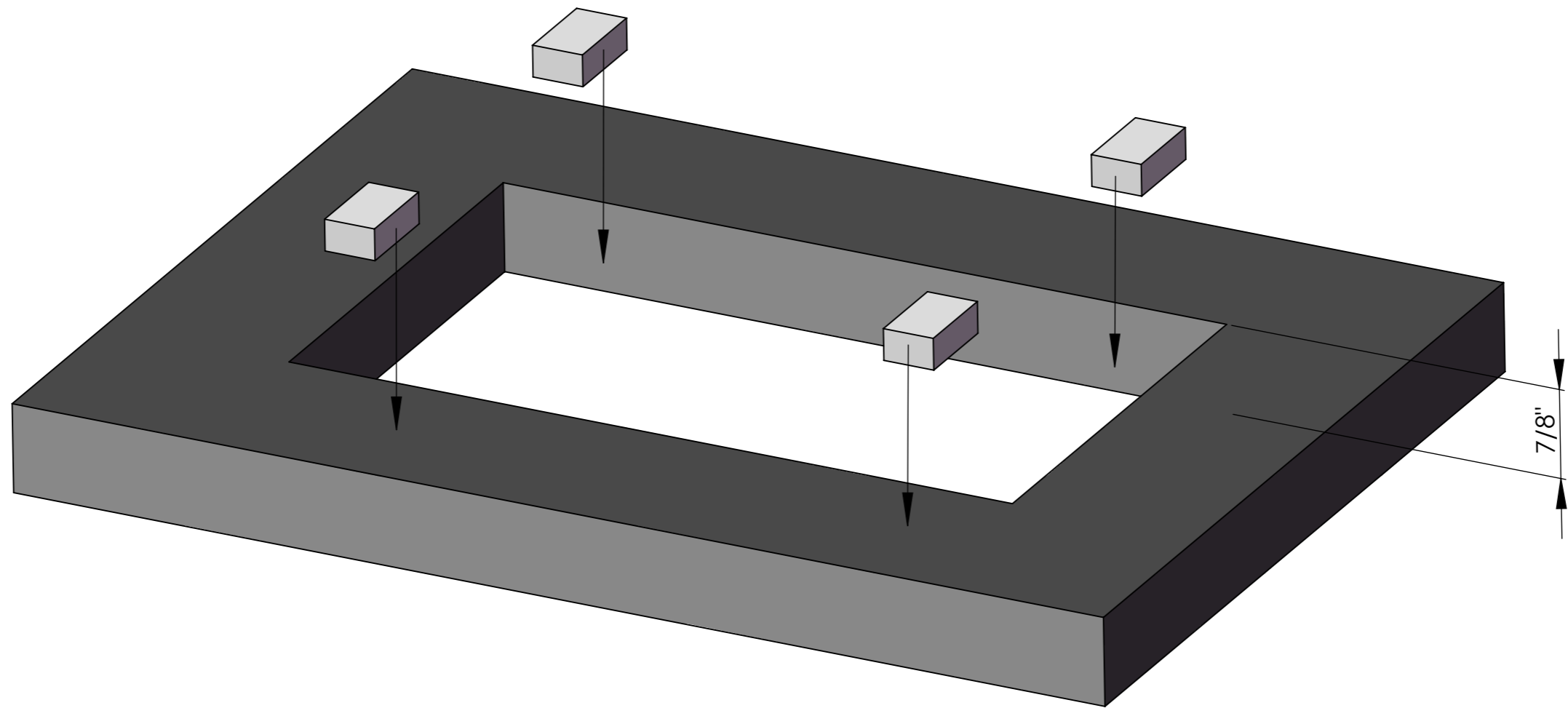


# Parts needed for assembly using method #503



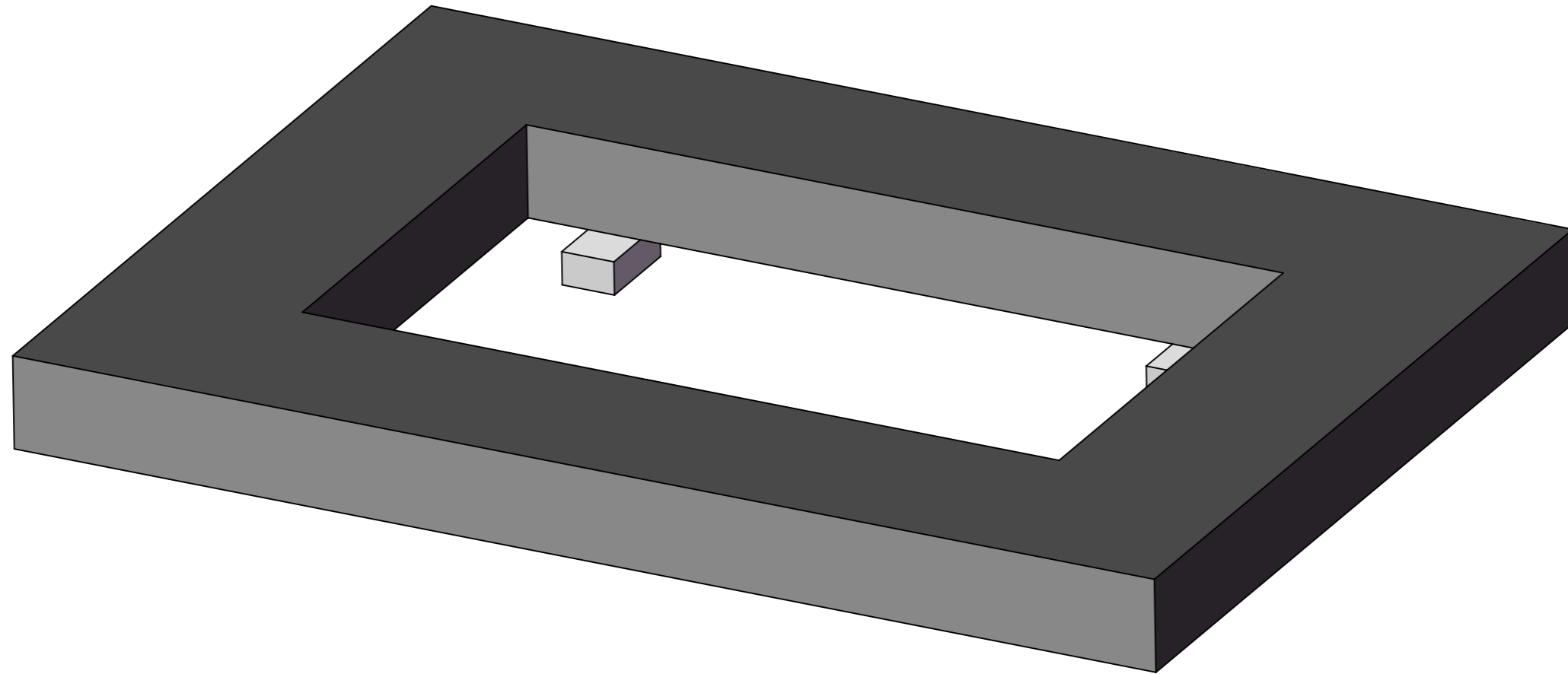
Disclaimer:  
This step by step layout is one of the many ways someone can install their custom grille using method #503

	<b>ARCHITECTURAL GRILLE</b>			
	42 SECOND AVENUE BROOKLYN, NY 11215 WWW.ARCHGRILLE.COM			
CUSTOMER			Drawn by <b>Heg</b>	SIZE A3
DESCRIPTION <b>#503 Method of fastening</b>			SCALE 1"=1.25"	REV —
			SHEET DMS.503.1	



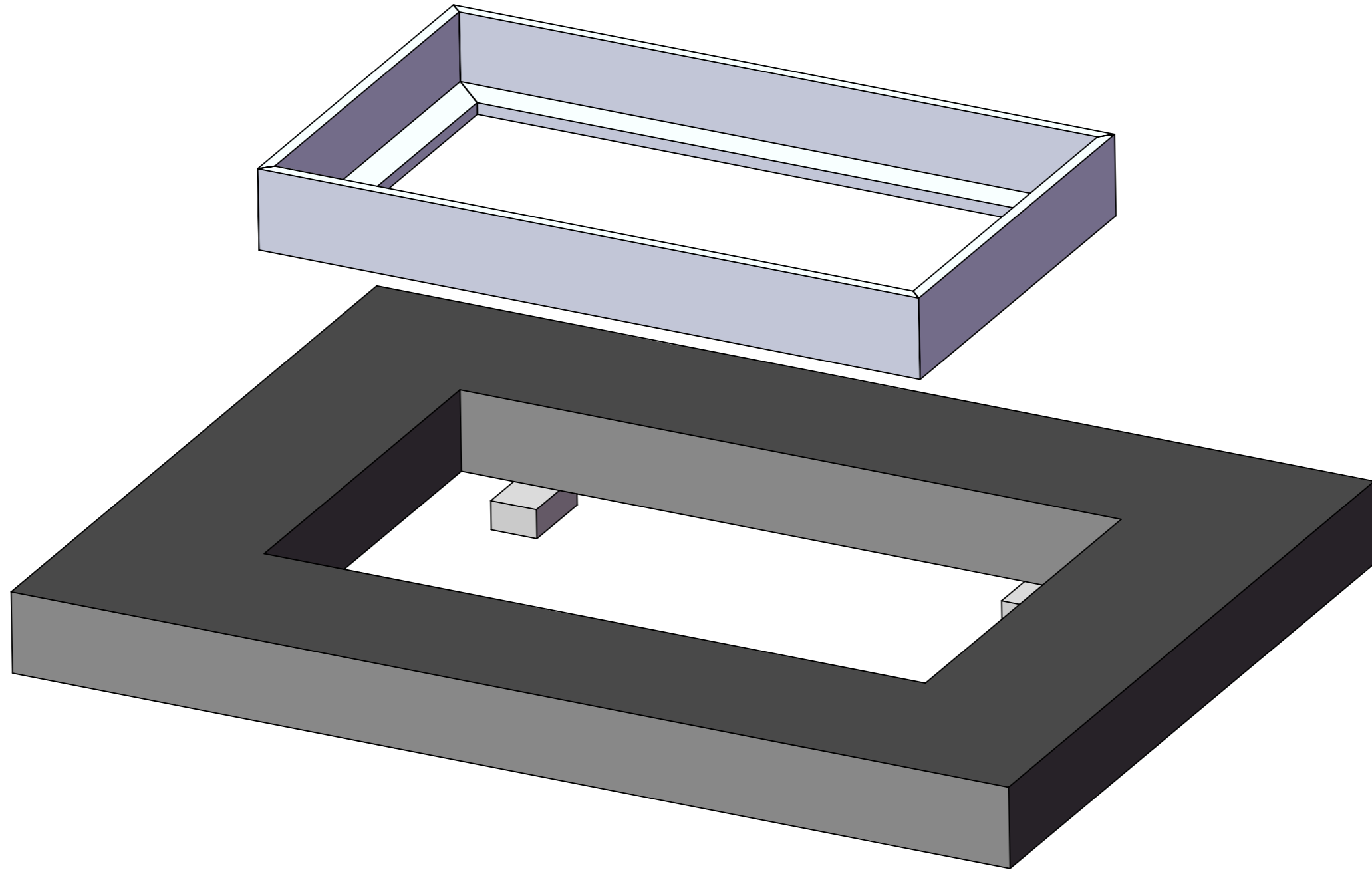
**Step 1:**  
Anchor the blockings into the opening, using nails, screws or construction adhesive.

	<b>ARCHITECTURAL GRILLE</b>				
	42 SECOND AVENUE BROOKLYN, NY 11215 WWW.ARCHGRILLE.COM				
CUSTOMER			Drawn by <b>Heg</b>	SIZE A3	REV -
DESCRIPTION <b>#503 Method of fastening</b>			SCALE 1"=1.25"	SHEET DMS.503.2	



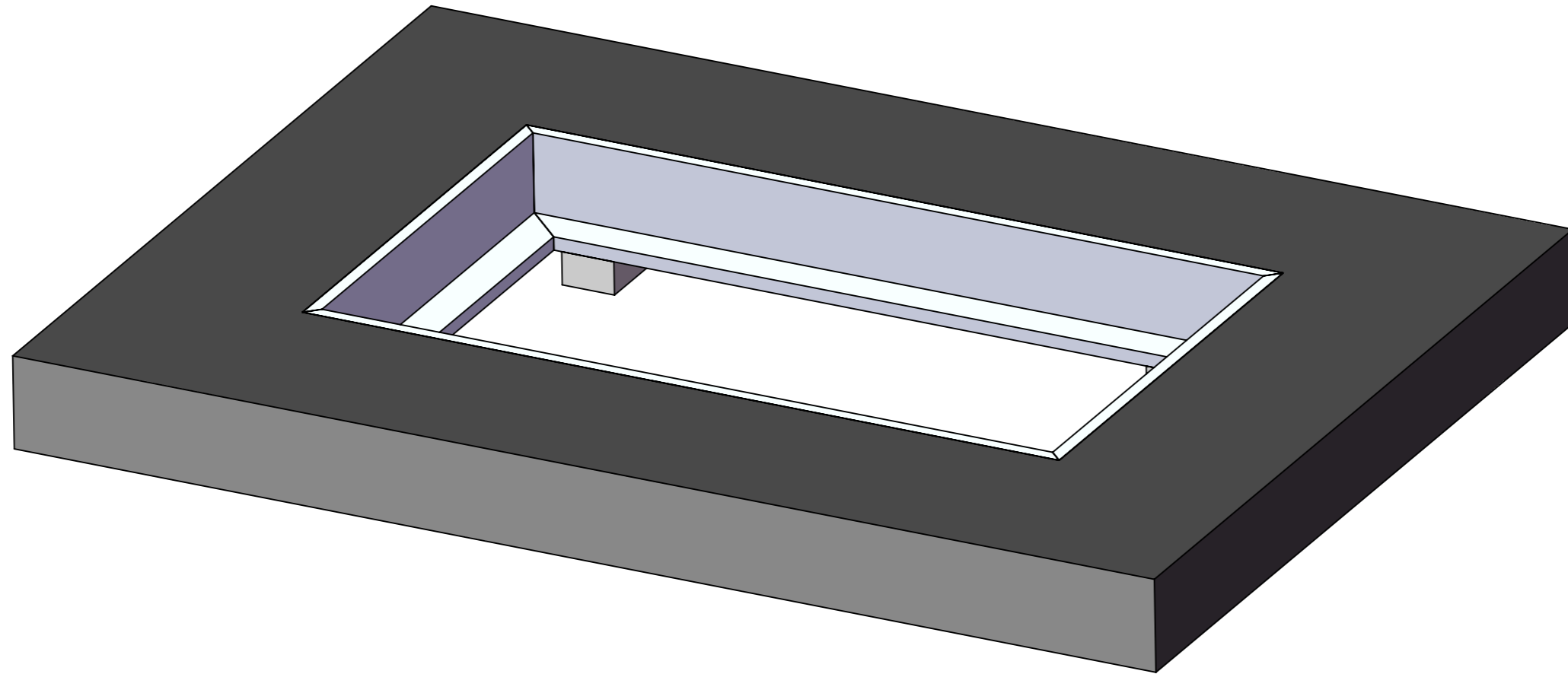
Step 2:  
Blockings are placed inside the opening.

	<b>ARCHITECTURAL GRILLE</b>				
	42 SECOND AVENUE BROOKLYN, NY 11215 WWW.ARCHGRILLE.COM				
CUSTOMER			Drawn by <b>Heg</b>	SIZE A3	REV -
DESCRIPTION <b>#503 Method of fastening</b>			SCALE 1"=1.25"	SHEET DMS.503.3	



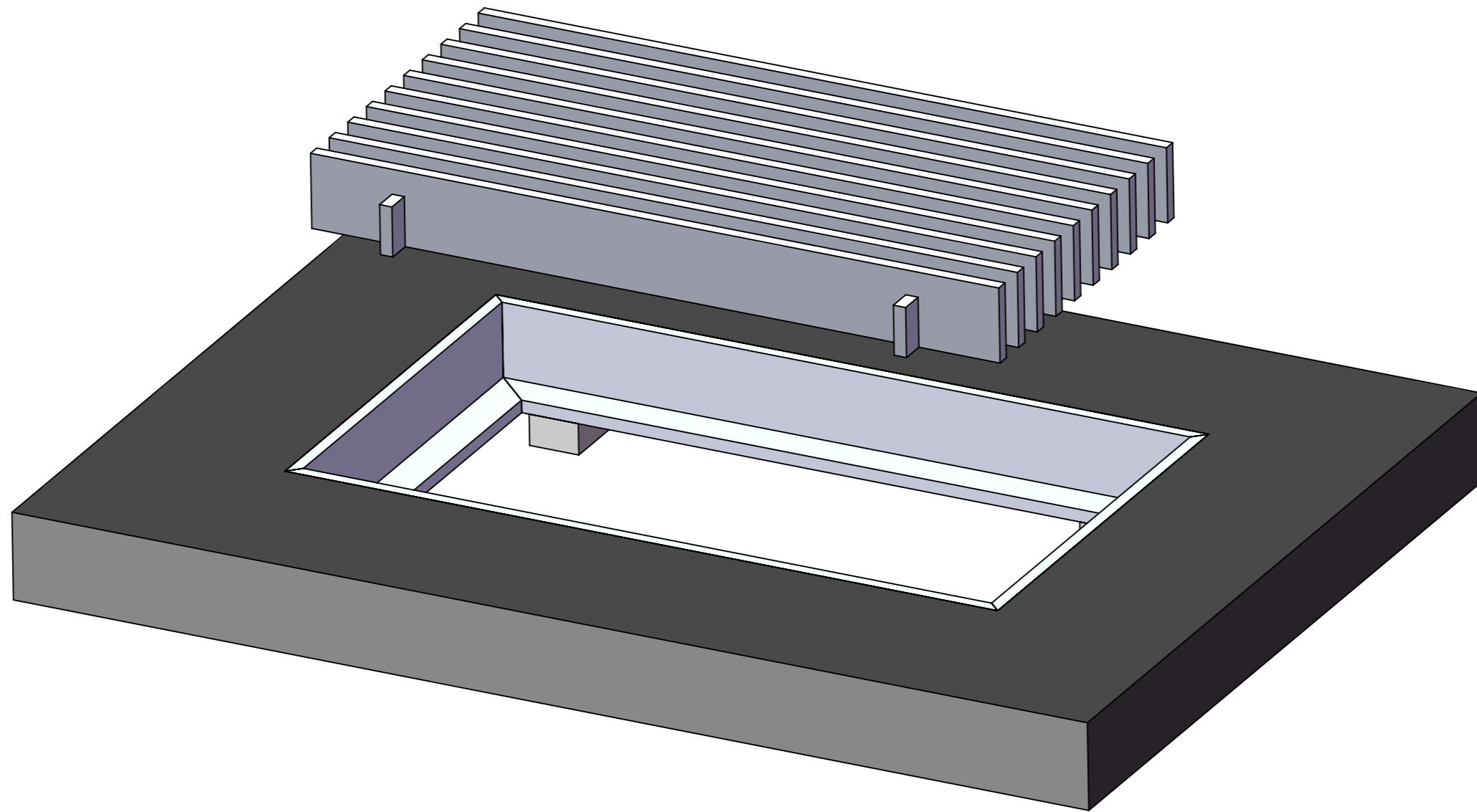
Step 3:  
Place the a-frame on the blockings.

	<b>ARCHITECTURAL GRILLE</b>				
	42 SECOND AVENUE BROOKLYN, NY 11215 WWW.ARCHGRILLE.COM				
CUSTOMER			Drawn by <b>Heg</b>	SIZE A3	REV -
DESCRIPTION <b>#503 Method of fastening</b>			SCALE 1"=1.25"	SHEET DMS.503.4	



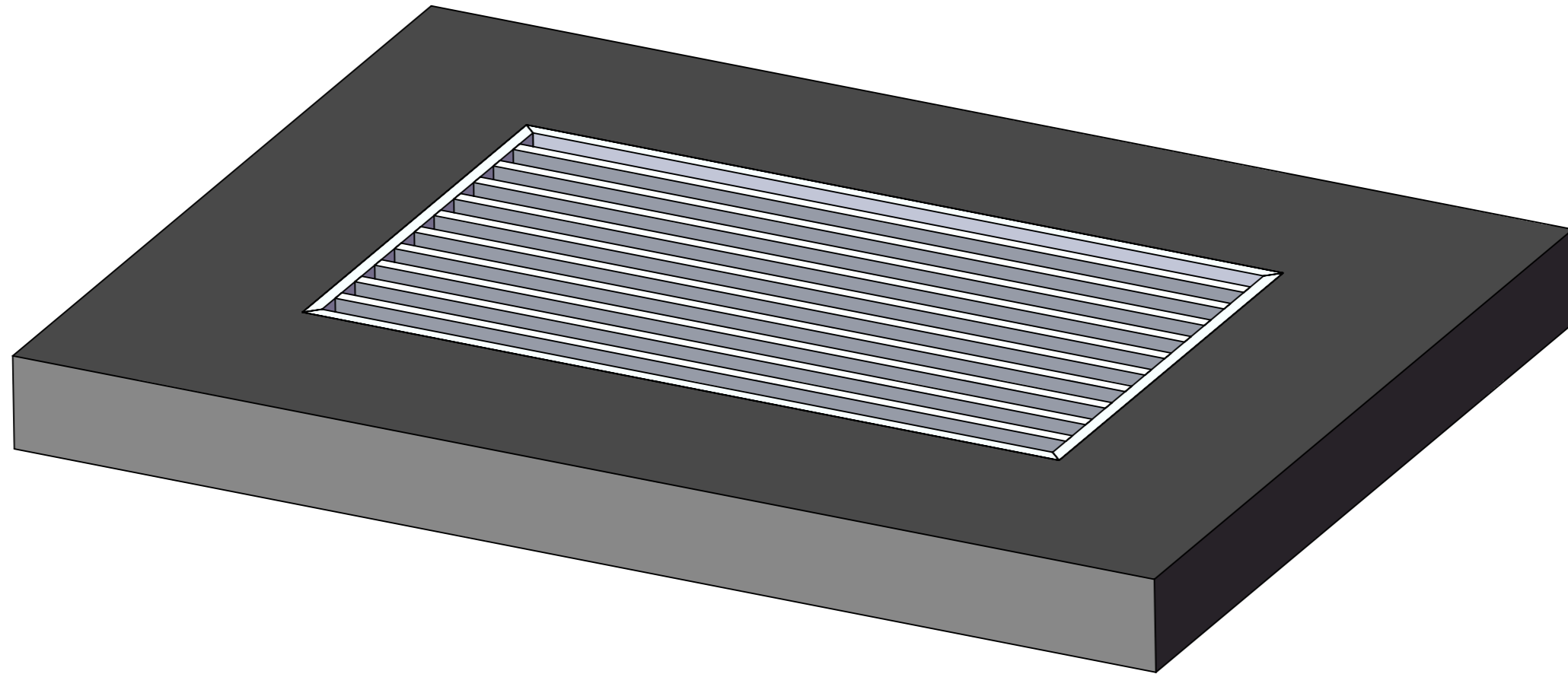
Step 4:  
A-frame placed on the blockings.

	<b>ARCHITECTURAL GRILLE</b>				
	42 SECOND AVENUE BROOKLYN, NY 11215 WWW.ARCHGRILLE.COM				
CUSTOMER			Drawn by <b>Heg</b>	SIZE A3	REV -
DESCRIPTION <b>#503 Method of fastening</b>			SCALE 1"=1.25"	SHEET DMS.503.5	



Step 5:  
Place the core on the a-frame.

	<b>ARCHITECTURAL GRILLE</b>			
	42 SECOND AVENUE BROOKLYN, NY 11215 WWW.ARCHGRILLE.COM			
CUSTOMER			Drawn by <b>Heg</b>	SIZE A3
DESCRIPTION	<b>#503 Method of fastening</b>		SCALE 1"=1.25"	REV -
			SHEET DMS.503.6	



Step 4:  
 Core placed on the a-frame flush with top of opening.  
 (Core can be loose or welded to a-frame.)  
 Installation complete.

	<b>ARCHITECTURAL GRILLE</b>				
	42 SECOND AVENUE BROOKLYN, NY 11215 WWW.ARCHGRILLE.COM				
CUSTOMER			Drawn by <b>Heg</b>	SIZE A3	REV -
DESCRIPTION <b>#503 Method of fastening</b>			SCALE 1"=1.25"	SHEET DMS.503.7	