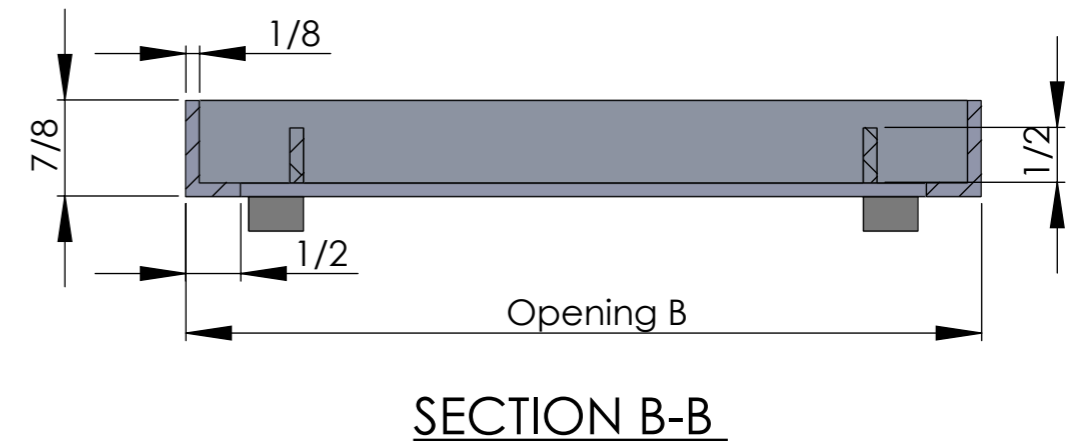
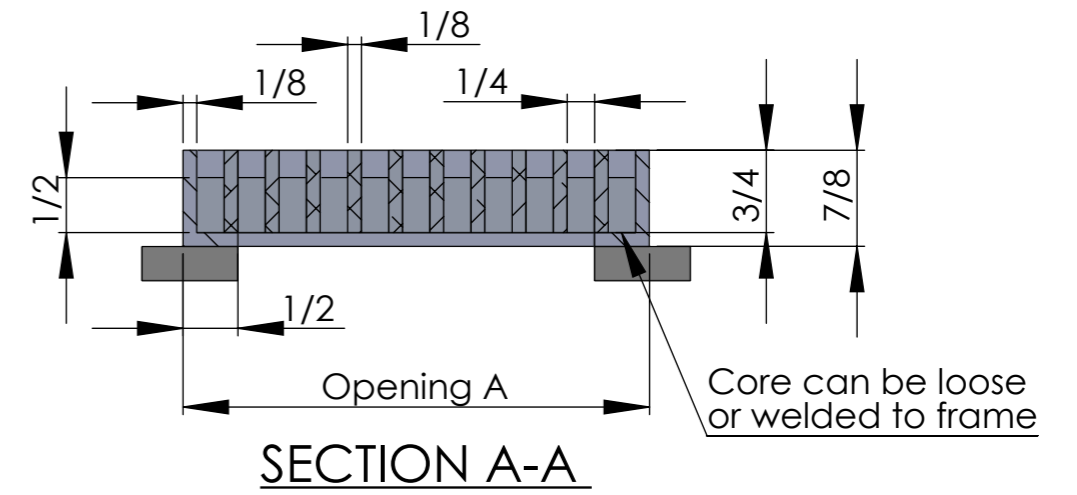
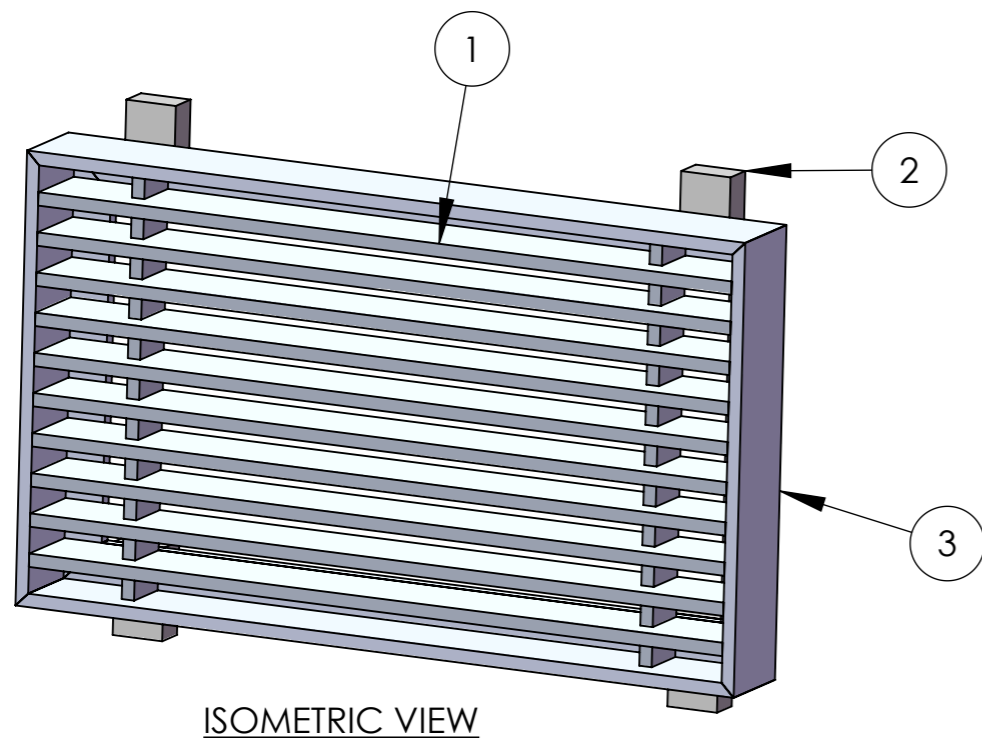
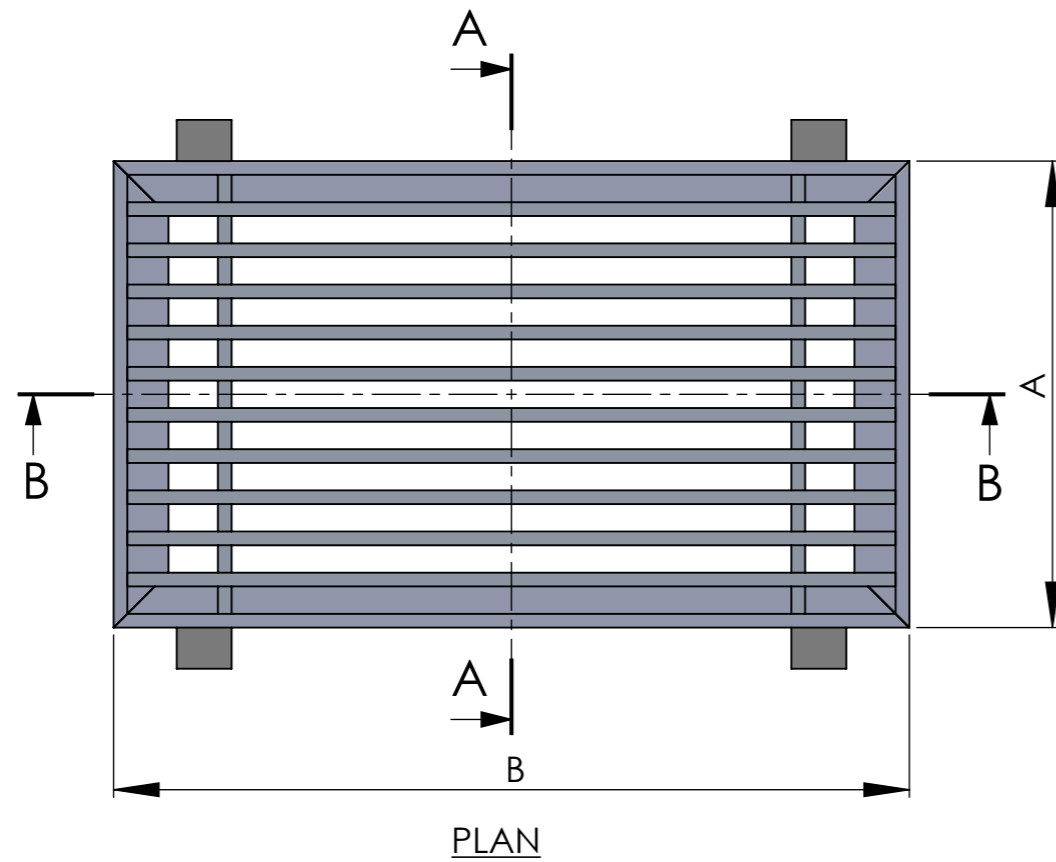


ITEM NO.	PART NUMBER	DESCRIPTION	QTY.
1	Standard AG10 core		1
2	Blocking(supplied by contractor)		4
3	Standard A-frame		1



	ARCHITECTURAL GRILLE			
	42 SECOND AVENUE BROOKLYN, NY 11215 WWW.ARCHGRILLE.COM			
CUSTOMER			Drawn by Heg	SIZE B
DESCRIPTION #503 Bar grille			SCALE 1"=1.75"	REV -
			SHEET DMS.503.0	