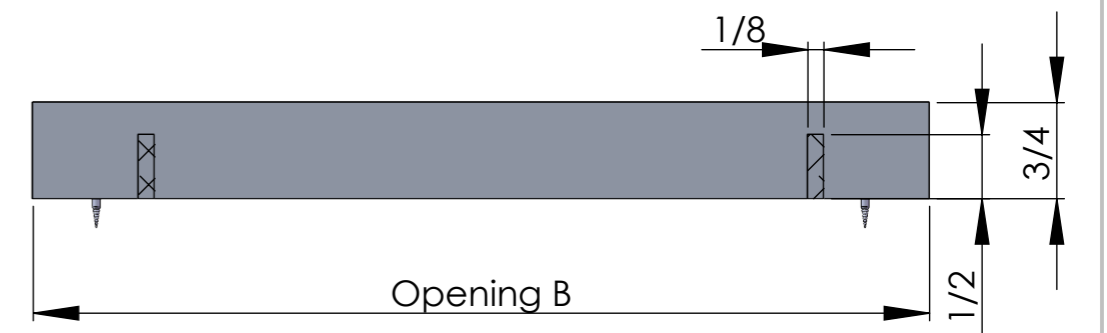
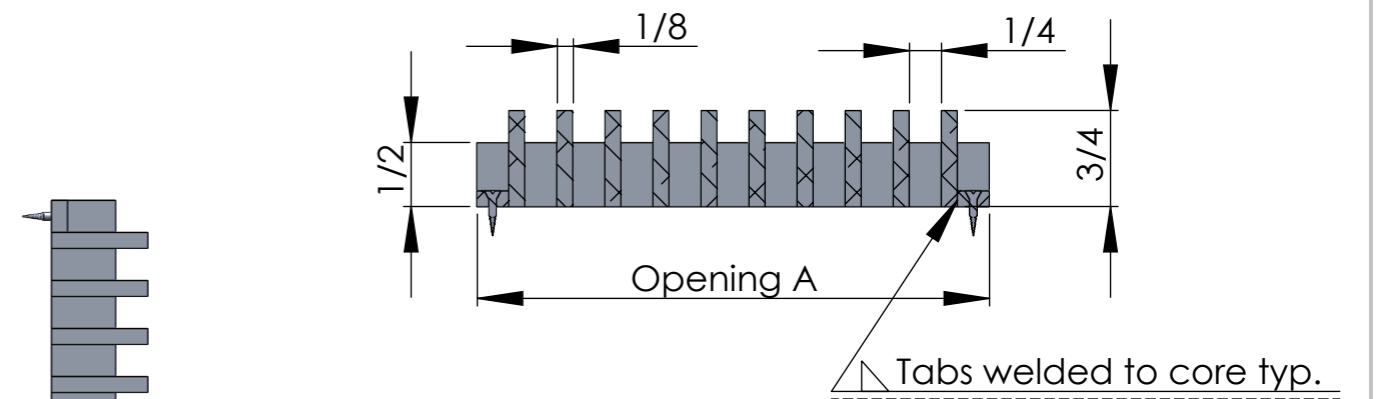
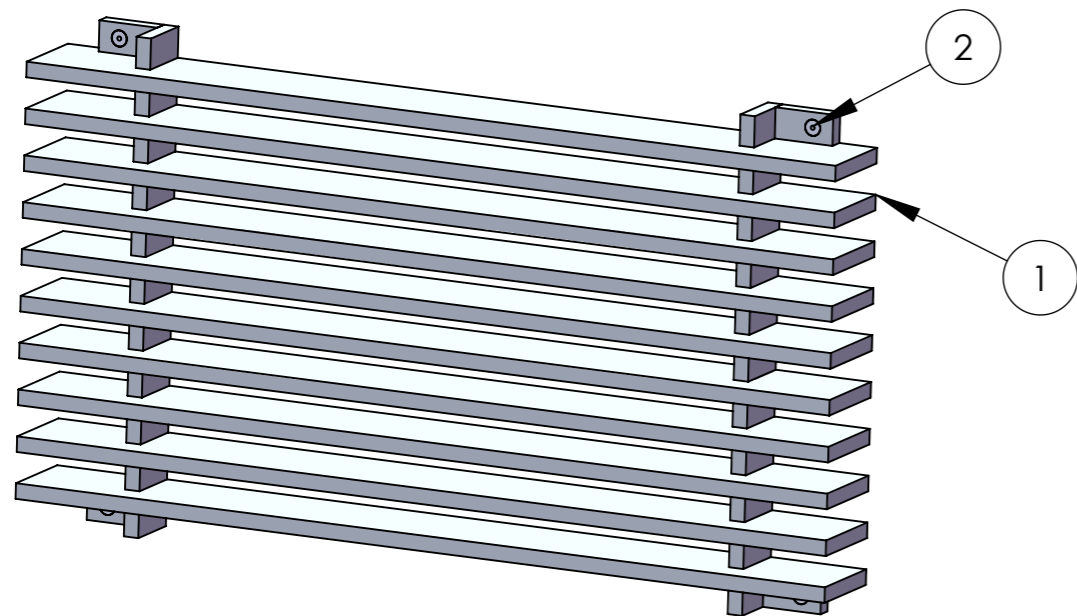
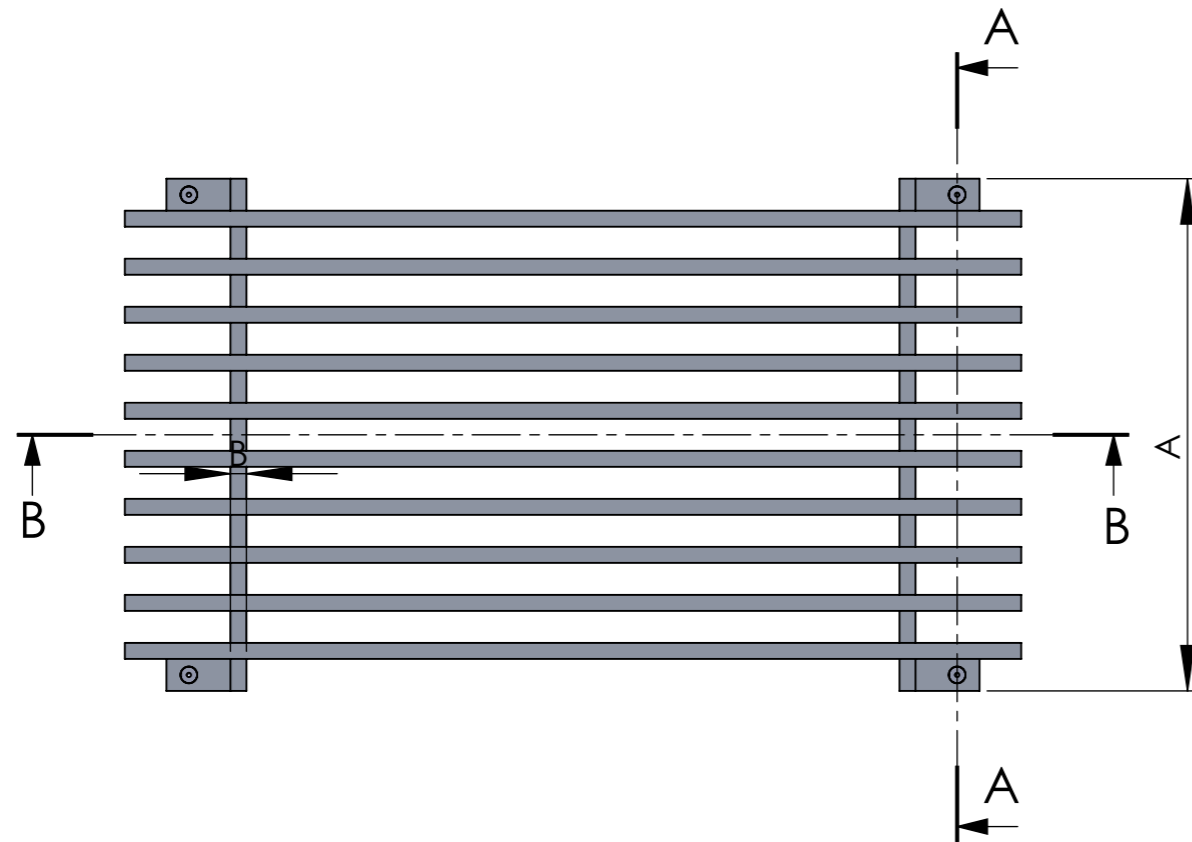


ITEM NO.	PART NUMBER	DESCRIPTION	QTY.
1	Standard AG10 core (with fastening tabs)		1
2	Countersunk screw (supplied by contractor)		4



	ARCHITECTURAL GRILLE			
	42 SECOND AVENUE BROOKLYN, NY 11215 WWW.ARCHGRILLE.COM			
CUSTOMER			Drawn by Heg	SIZE B
DESCRIPTION #502 Bar grille			SCALE 1"=1.5"	REV -
			SHEET	DMS.502.0