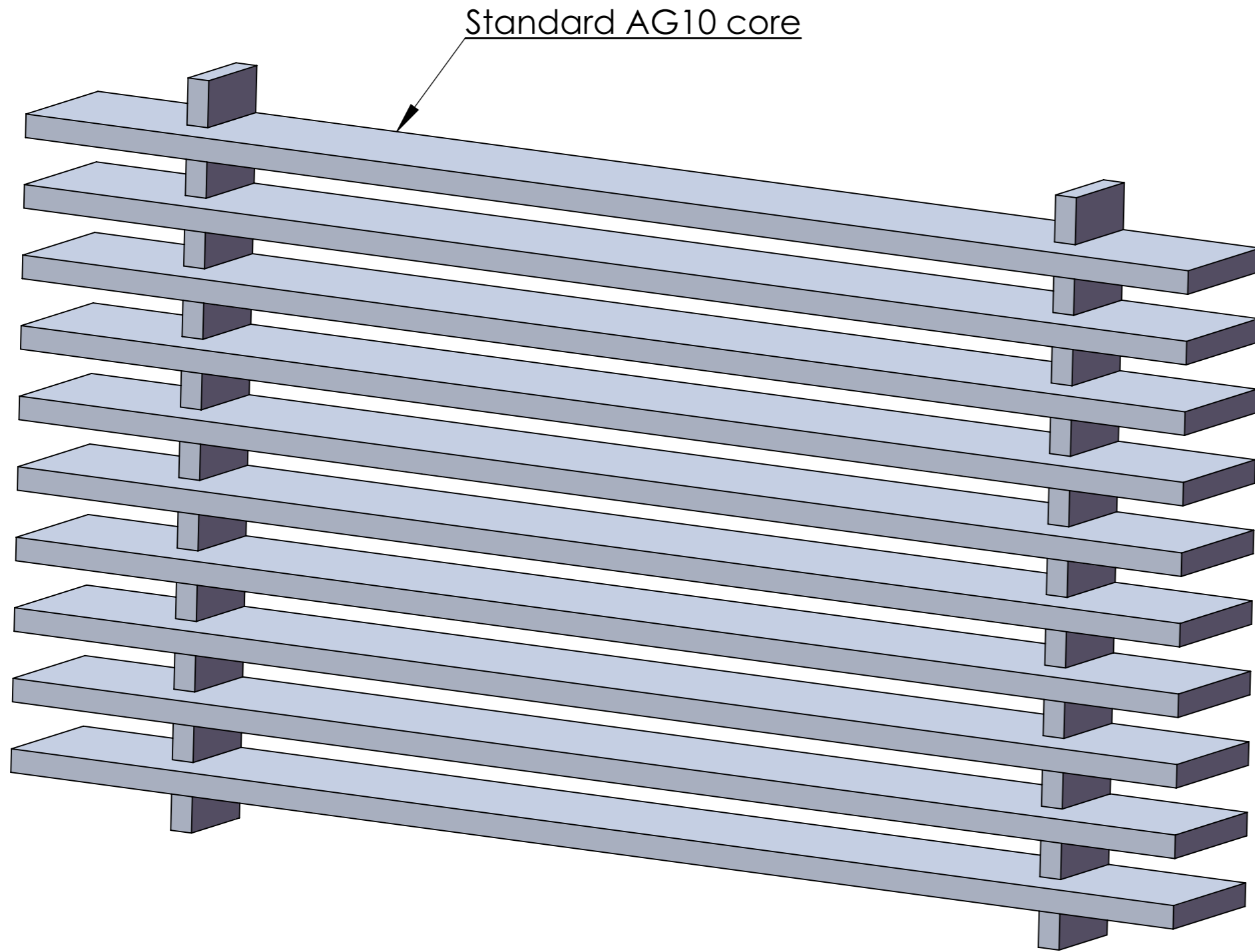
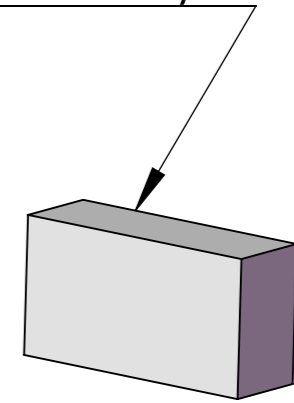


Parts needed for assembly using method #501

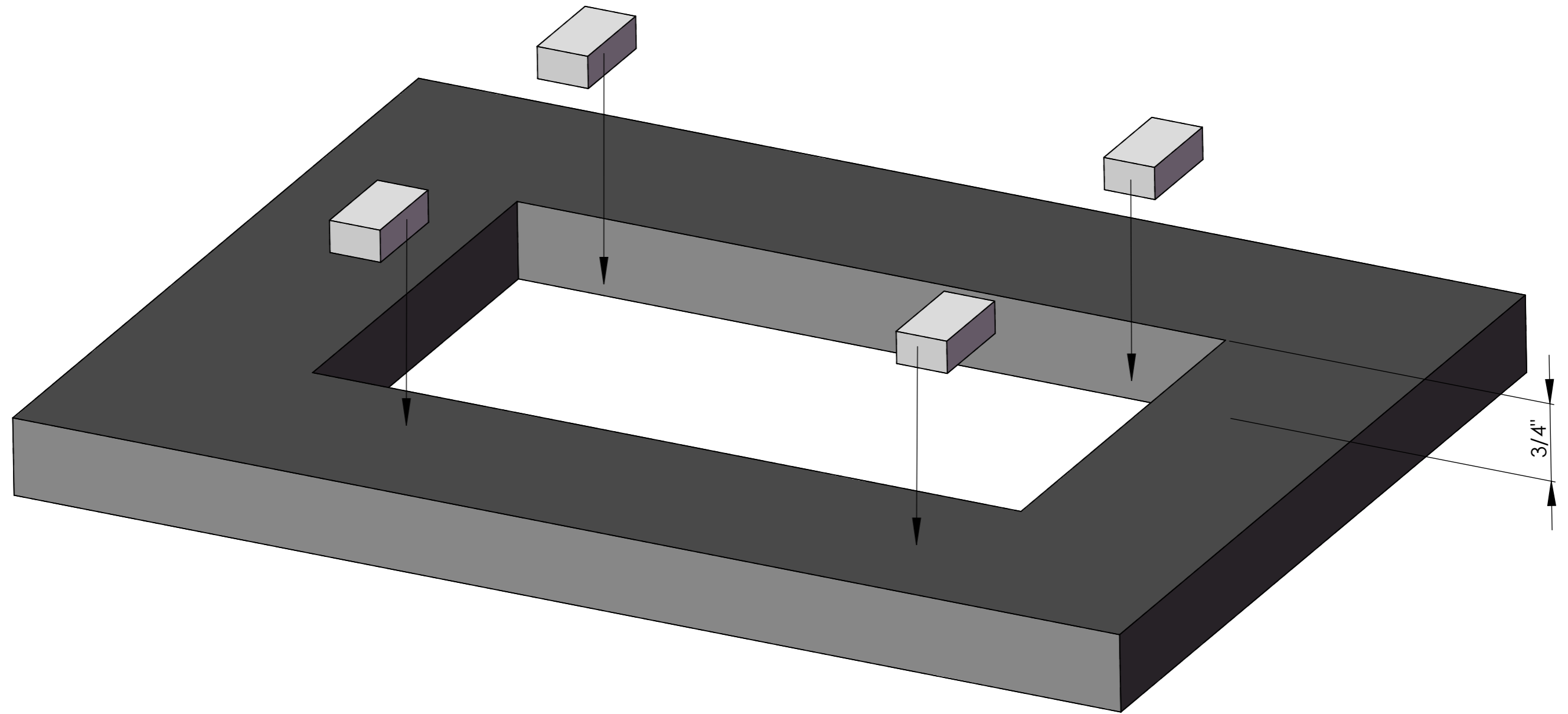


Blocking (supplied by contractor)



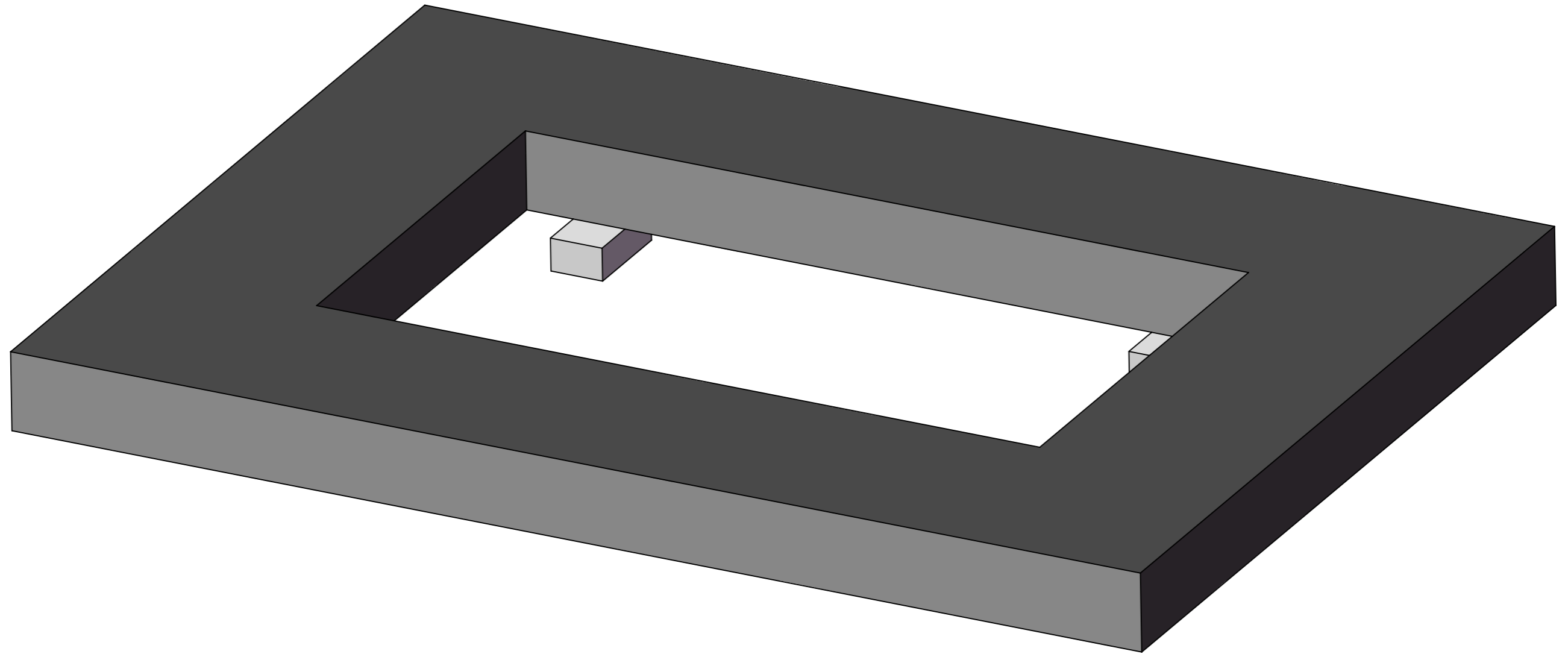
	ARCHITECTURAL GRILLE			
	42 SECOND AVENUE BROOKLYN, NY 11215 WWW.ARCHGRILLE.COM			
CUSTOMER			Drawn by Heg	SIZE A3
DESCRIPTION #501 Method of fastening			SCALE 1.5"=1"	REV —
				SHEET DMS.501.1

Disclaimer:
This step by step layout is one of the many ways someone can install their custom grille using method #501



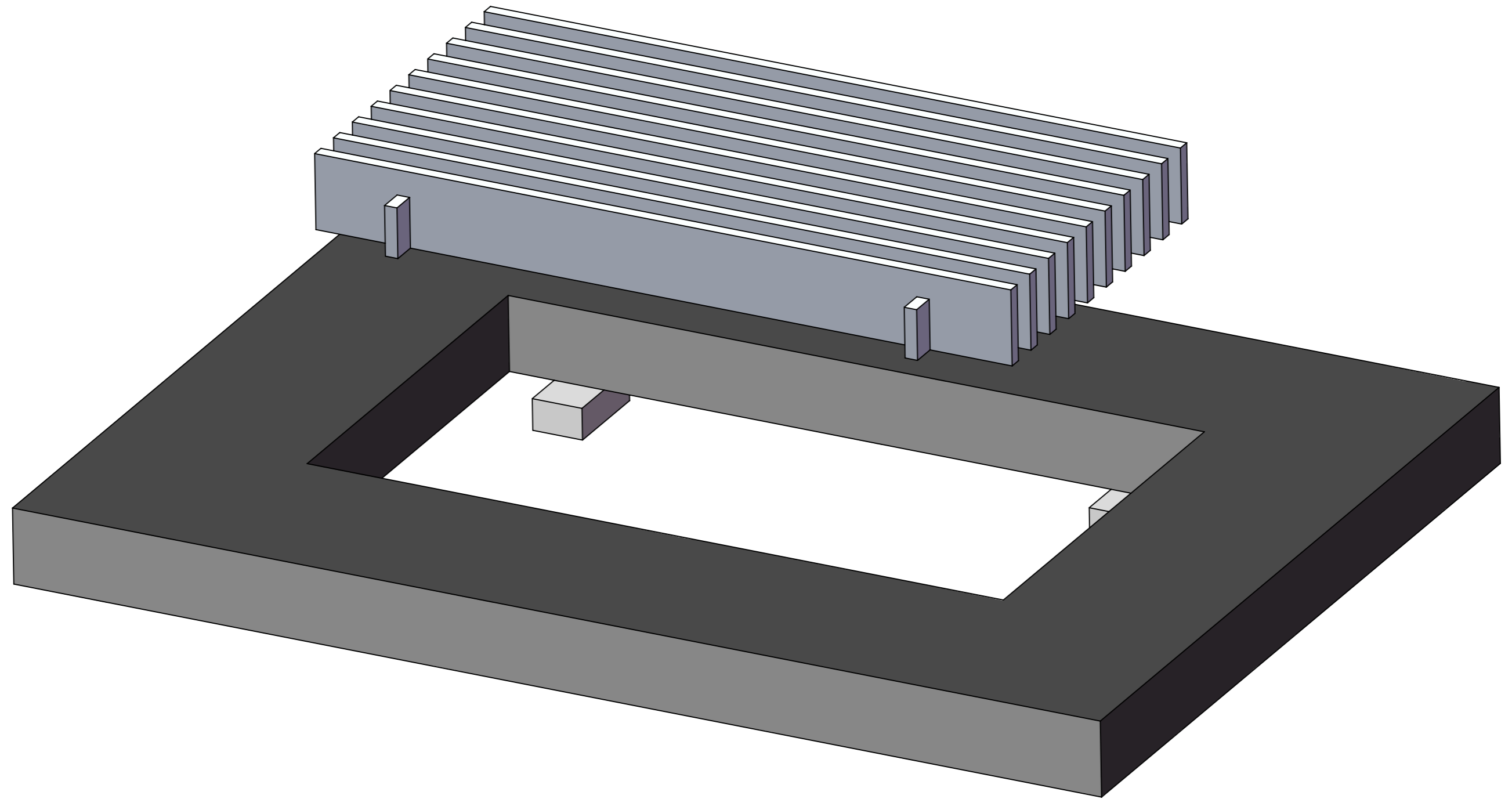
Step 1:
Anchor the blockings into the opening, using nails, screws or construction adhesive.

	ARCHITECTURAL GRILLE				
	42 SECOND AVENUE BROOKLYN, NY 11215 WWW.ARCHGRILLE.COM				
CUSTOMER			Drawn by Heg	SIZE A3	REV -
DESCRIPTION #501 Method of fastening			SCALE 1"=1"	SHEET DMS.501.2	



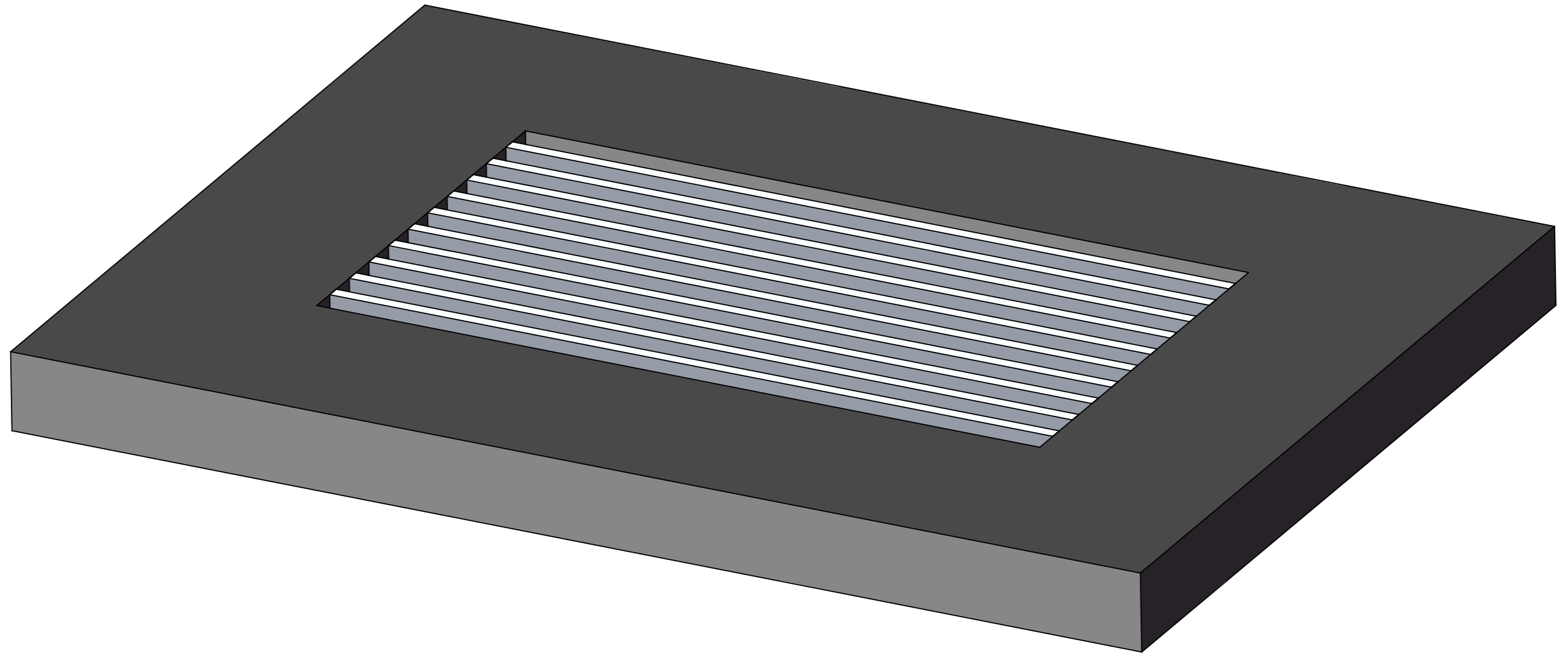
Step 2:
Blockings are placed inside the opening.

	ARCHITECTURAL GRILLE				
	42 SECOND AVENUE BROOKLYN, NY 11215 WWW.ARCHGRILLE.COM				
CUSTOMER			Drawn by Heg	SIZE A3	REV -
DESCRIPTION #501 Method of fastening			SCALE 1"=1"	SHEET DMS.501.3	



Step 3:
Place the core on the blockings.

	ARCHITECTURAL GRILLE				
	42 SECOND AVENUE BROOKLYN, NY 11215 WWW.ARCHGRILLE.COM				
CUSTOMER			Drawn by Heg	SIZE A3	REV -
DESCRIPTION #501 Method of fastening			SCALE 1"=1"	SHEET DMS.501.4	



Step 4:
 Core placed on the blockings flush with top of
 opening.
 Installation complete.

	ARCHITECTURAL GRILLE				
	42 SECOND AVENUE BROOKLYN, NY 11215 WWW.ARCHGRILLE.COM				
CUSTOMER			Drawn by Heg	SIZE A3	REV -
DESCRIPTION #501 Method of fastening			SCALE 1"=1"	SHEET DMS.501.5	