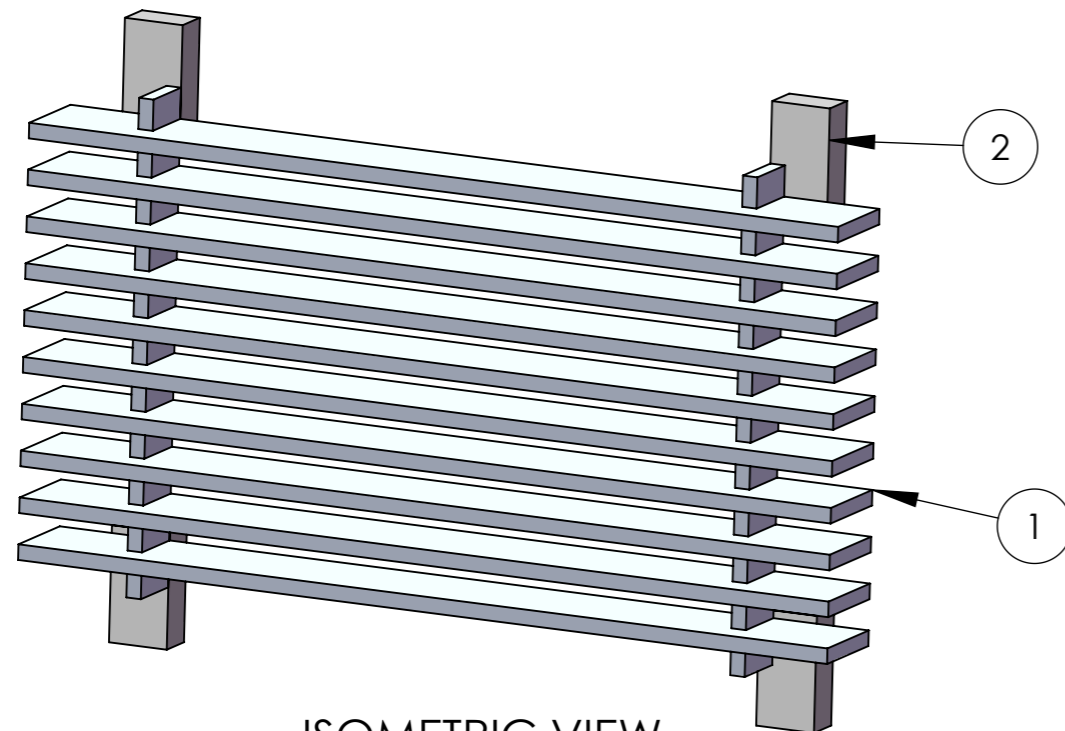
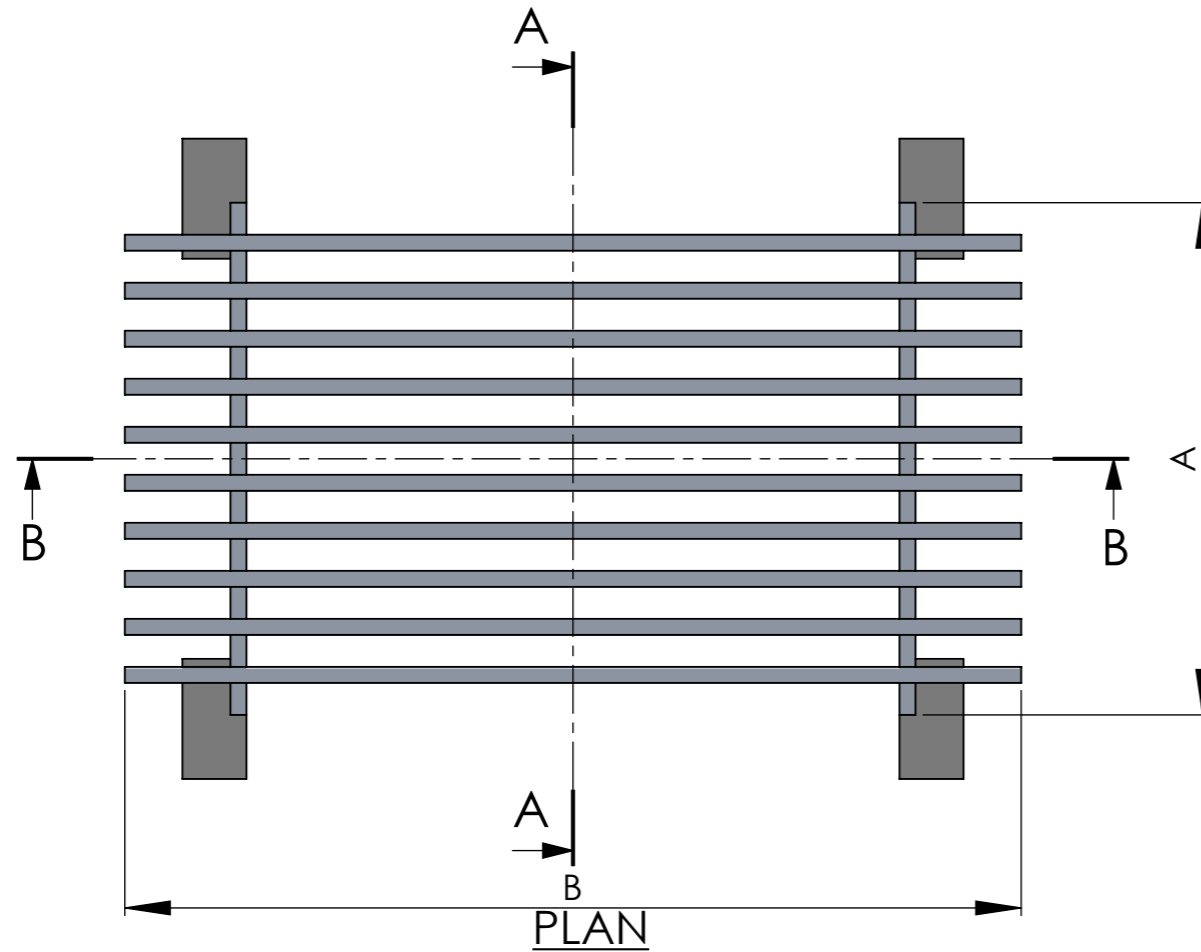
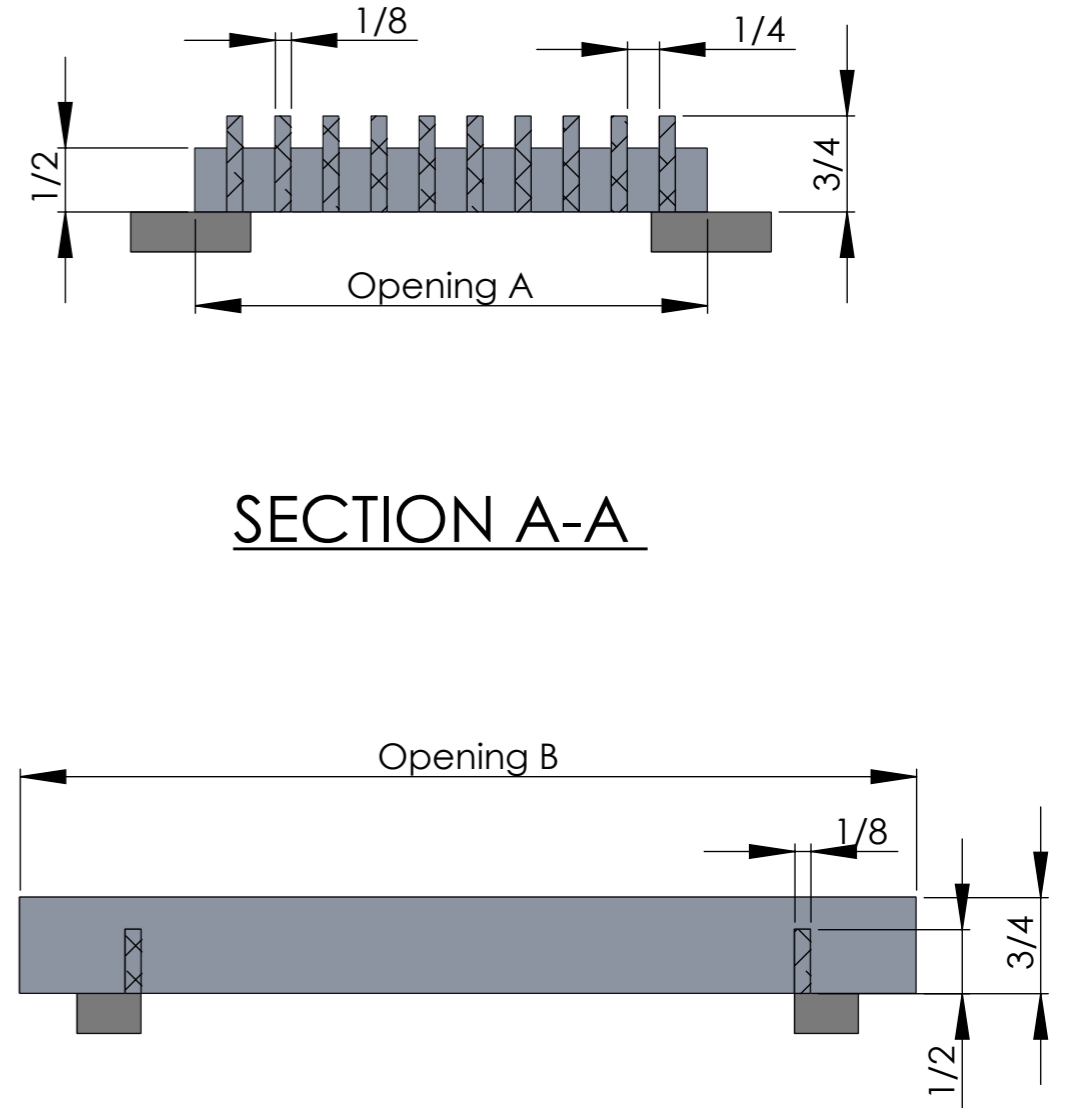


ITEM NO.	PART NUMBER	DESCRIPTION	QTY.
1	Standard AG10 core		1
2	Blocking(supplied by contractor)		4



ISOMETRIC VIEW



	ARCHITECTURAL GRILLE			
	42 SECOND AVENUE BROOKLYN, NY 11215 WWW.ARCHGRILLE.COM			
CUSTOMER	Drawn by Heg		SIZE B	REV -
DESCRIPTION #501 Bar grille	SCALE 1"=1.5"	SHEET DMS.501.0		