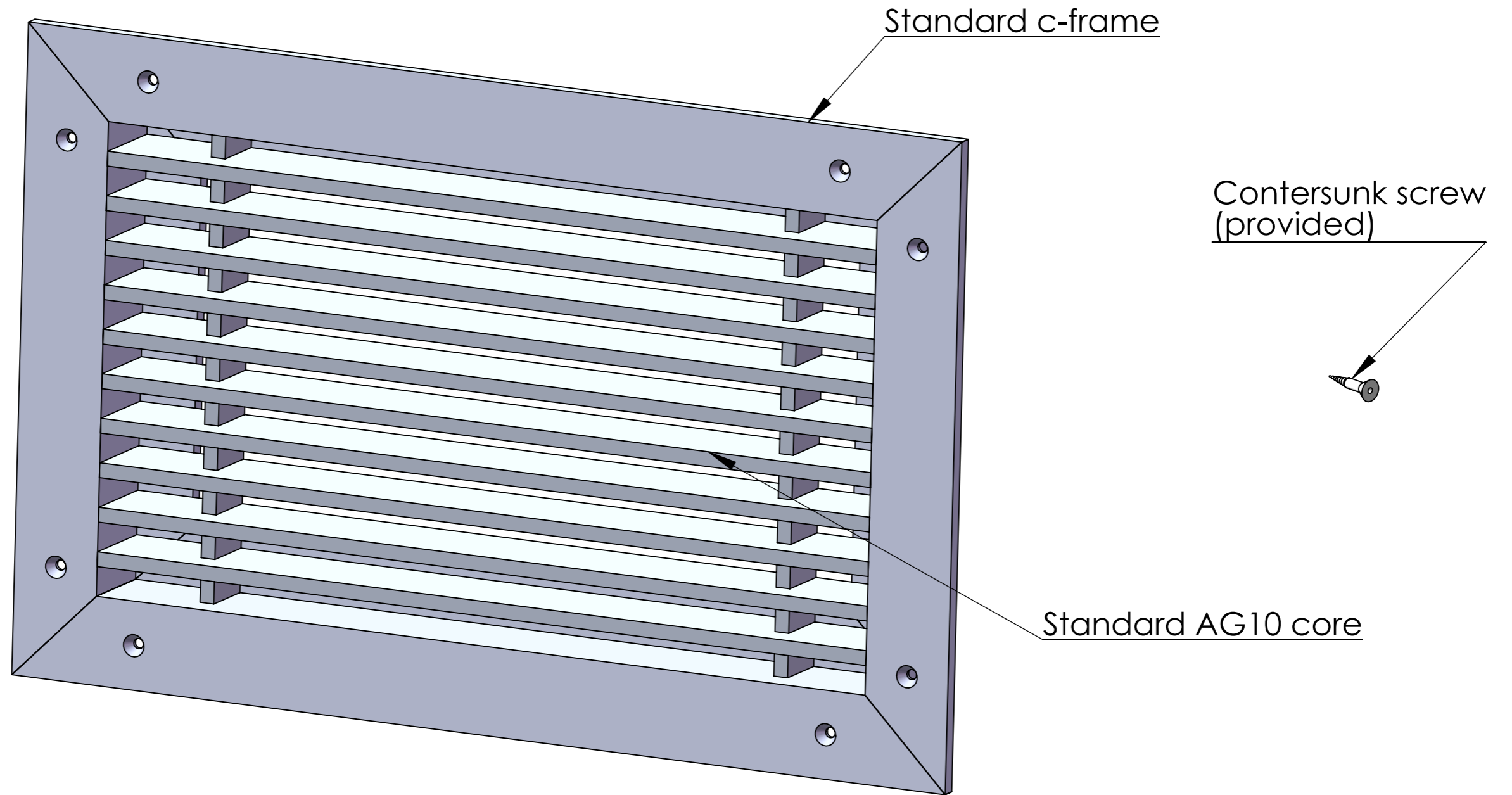
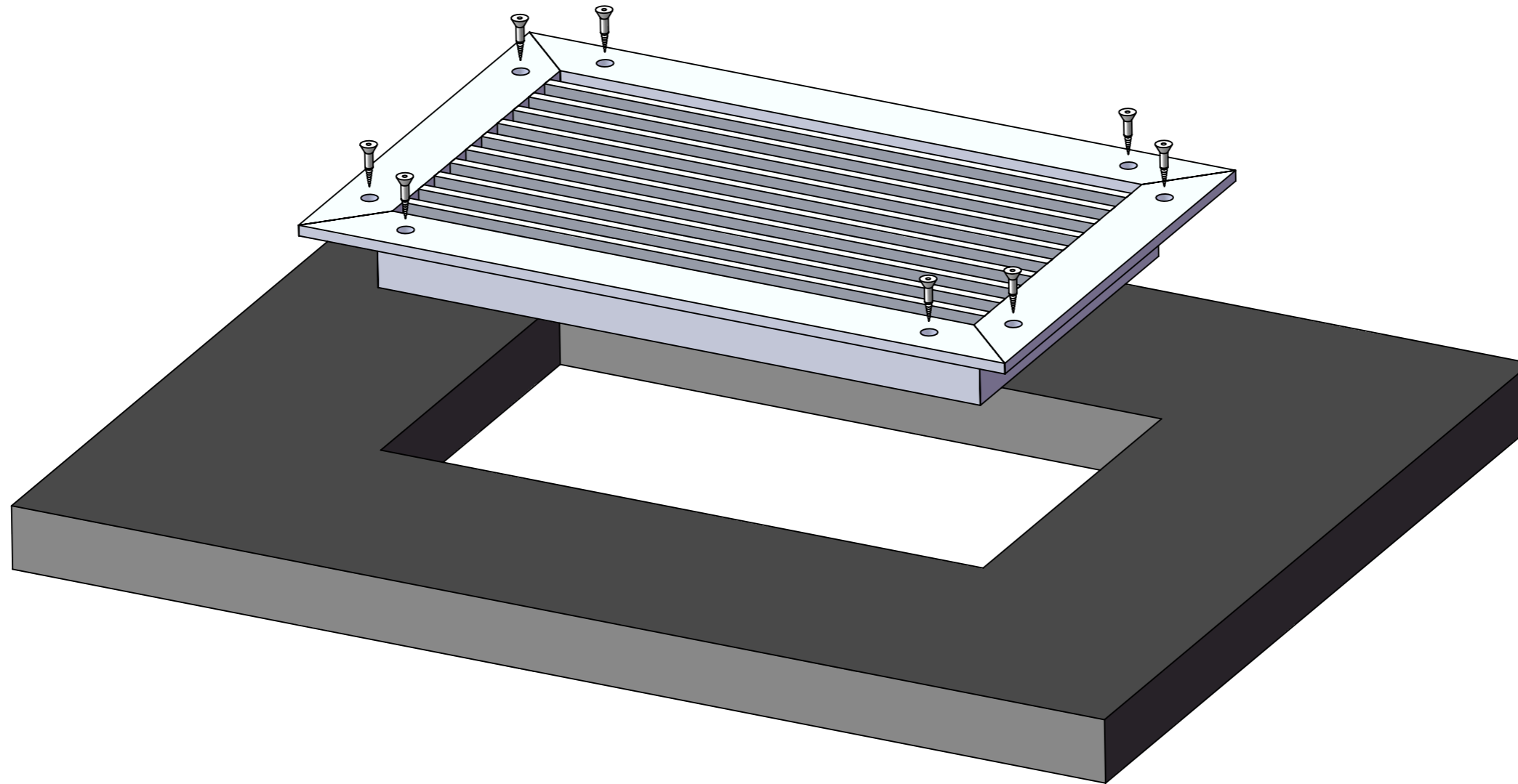


Parts needed for assembly using method #515



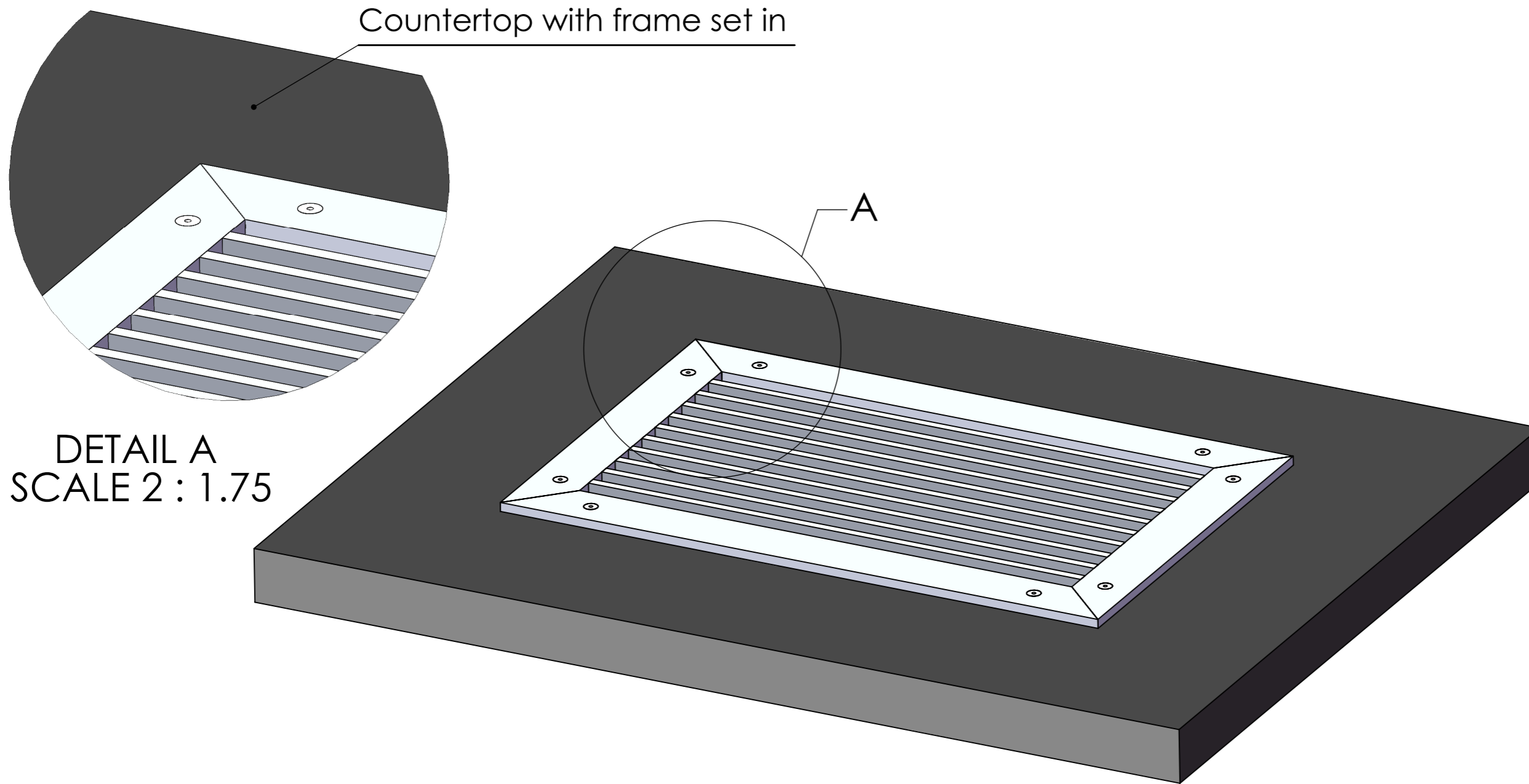
Disclaimer:
This step by step layout is one of the many ways someone can install their custom grille using method #515

	ARCHITECTURAL GRILLE			
	42 SECOND AVENUE BROOKLYN, NY 11215 WWW.ARCHGRILLE.COM			
CUSTOMER	Drawn by Heg		SIZE A3	REV -
DESCRIPTION #515 Method of fastening		SCALE 1"=1"	SHEET DMS.515.1	



Step 1:
 Place welded c-frame & AG10 core into the opening.
 Attach b-frame to the opening using countersunk screws(provided).
 Screw through the provided holes in the flange as necessary.

	ARCHITECTURAL GRILLE				
	42 SECOND AVENUE BROOKLYN, NY 11215 WWW.ARCHGRILLE.COM				
CUSTOMER			Drawn by Heg	SIZE A3	REV -
DESCRIPTION #515 Method of fastening			SCALE 1"=1.5"	SHEET DMS.515.2	



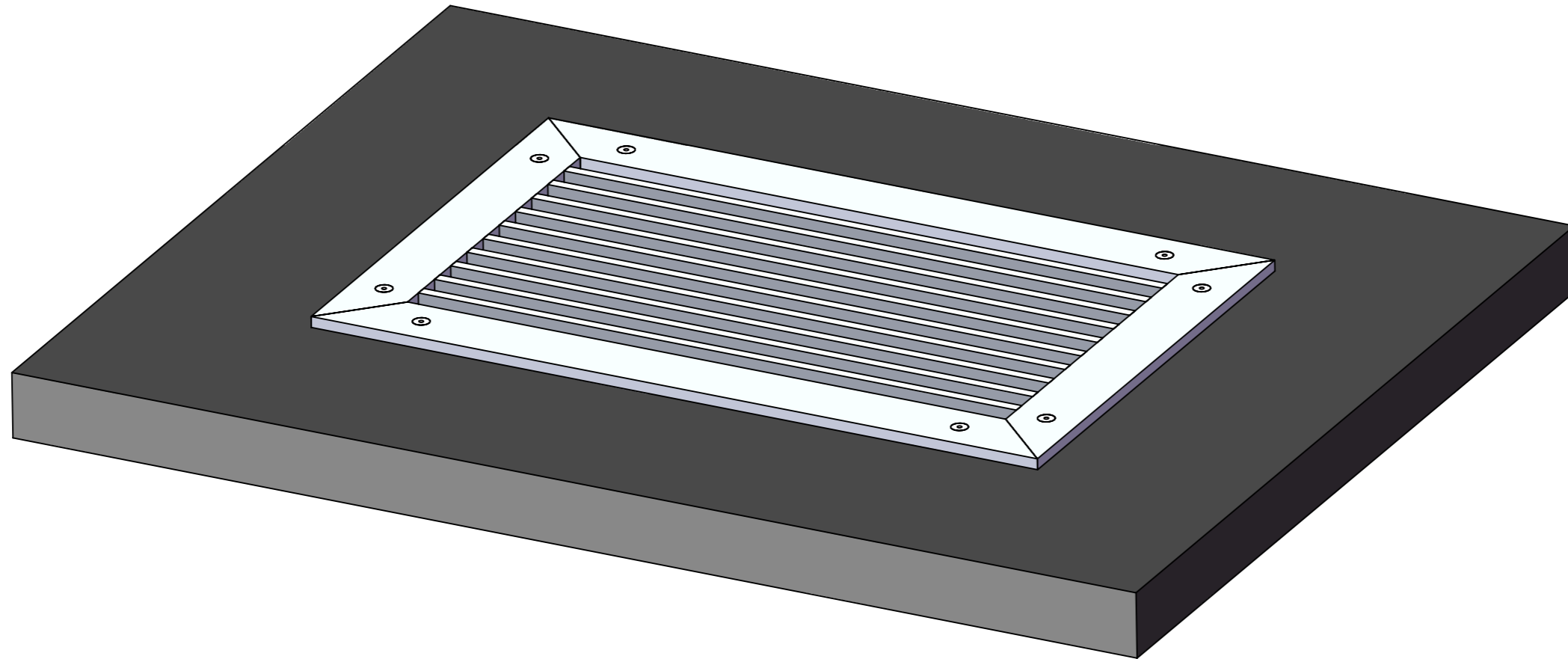
Countertop with frame set in

A

DETAIL A
SCALE 2 : 1.75

Step 2:
Welded c-frame & AG10 core attached to the opening using countersunk screws(provided).

	ARCHITECTURAL GRILLE			
	42 SECOND AVENUE BROOKLYN, NY 11215 WWW.ARCHGRILLE.COM			
CUSTOMER			Drawn by Heg	SIZE A3
DESCRIPTION #515 Method of fastening			SCALE 1"=1.5"	REV -
			SHEET	DMS.515.3



Installation complete.

	ARCHITECTURAL GRILLE				
	42 SECOND AVENUE BROOKLYN, NY 11215 WWW.ARCHGRILLE.COM				
CUSTOMER			Drawn by Heg	SIZE A3	REV -
DESCRIPTION #515 Method of fastening			SCALE 1"=1.5"	SHEET DMS.515.4	