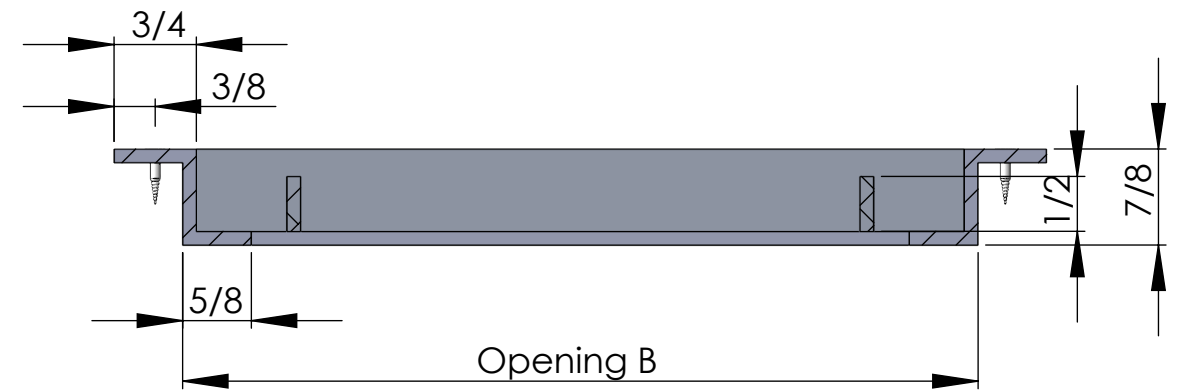
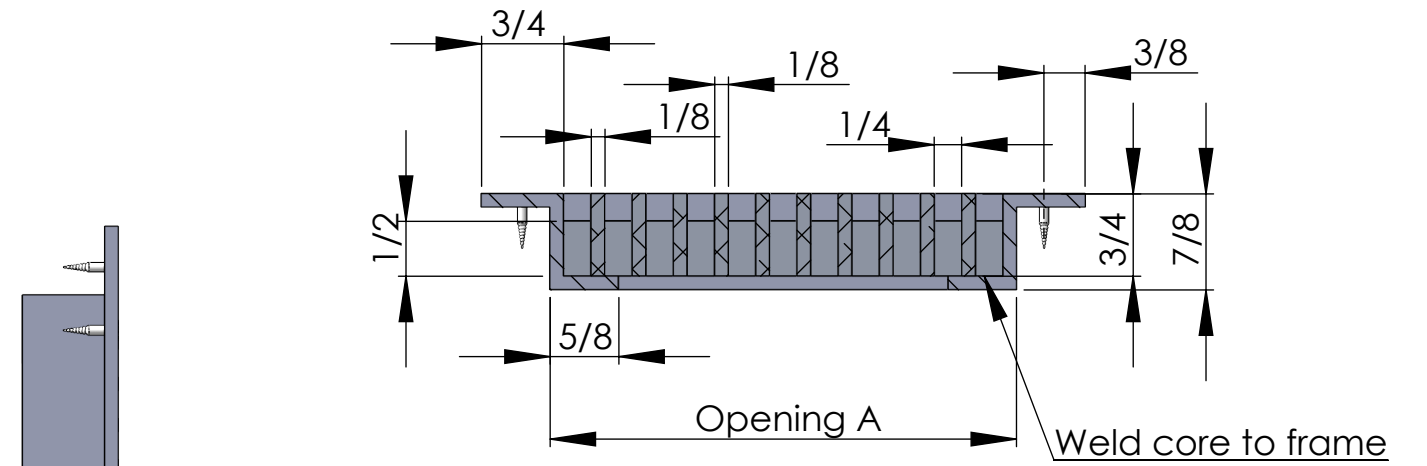



| ITEM NO. | PART NUMBER                 | DESCRIPTION | QTY. |
|----------|-----------------------------|-------------|------|
| 1        | Standard AG10 core          |             | 1    |
| 2        | Standard C-frame            |             | 1    |
| 3        | Countersunk screw(provided) |             | 8    |



|                                                                                       |                                                              |  |                           |          |
|---------------------------------------------------------------------------------------|--------------------------------------------------------------|--|---------------------------|----------|
|  | <b>ARCHITECTURAL GRILLE</b>                                  |  |                           |          |
|                                                                                       | 42 SECOND AVENUE<br>BROOKLYN, NY 11215<br>WWW.ARCHGRILLE.COM |  |                           |          |
| CUSTOMER                                                                              | Drawn by<br><b>Heg</b>                                       |  | SIZE<br>B                 | REV<br>- |
| DESCRIPTION<br><b>#515 Bar grille</b>                                                 | SCALE<br>1"=1.75"                                            |  | SHEET<br><b>DMS.515.0</b> |          |