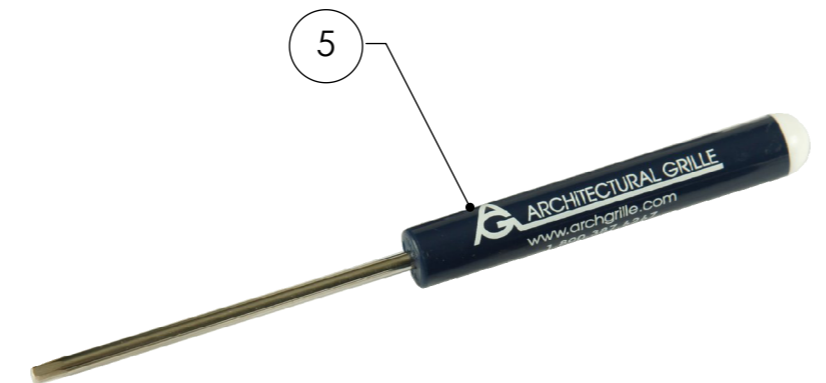
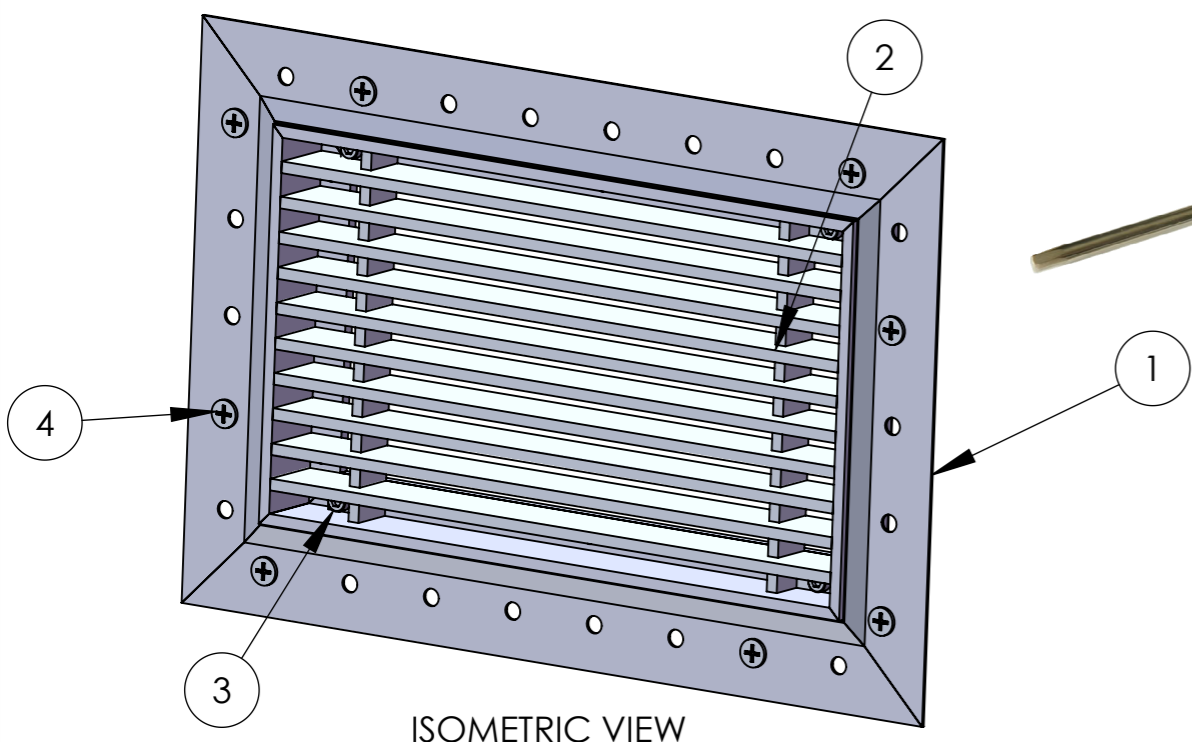
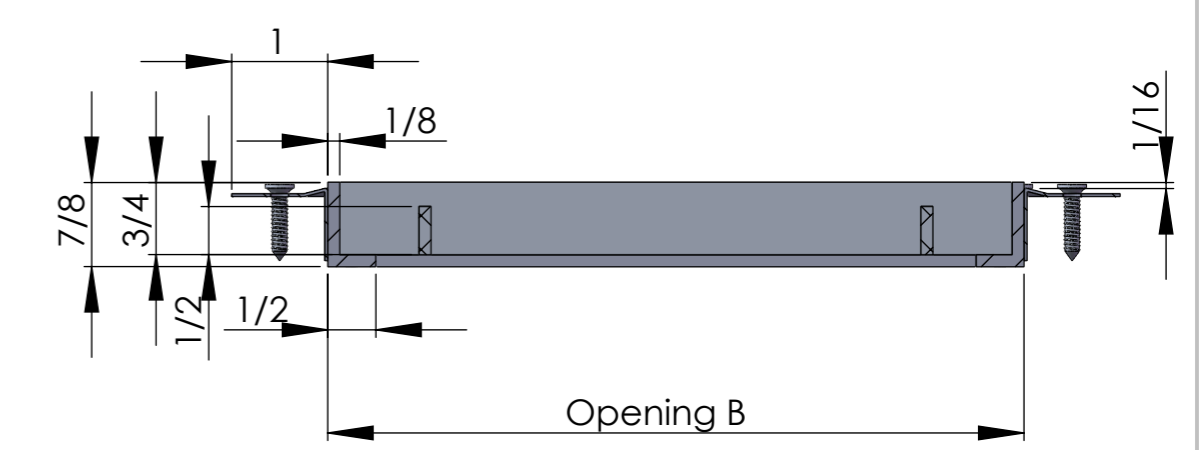
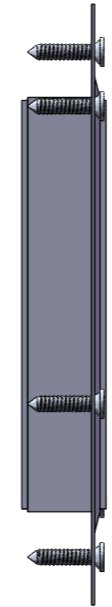
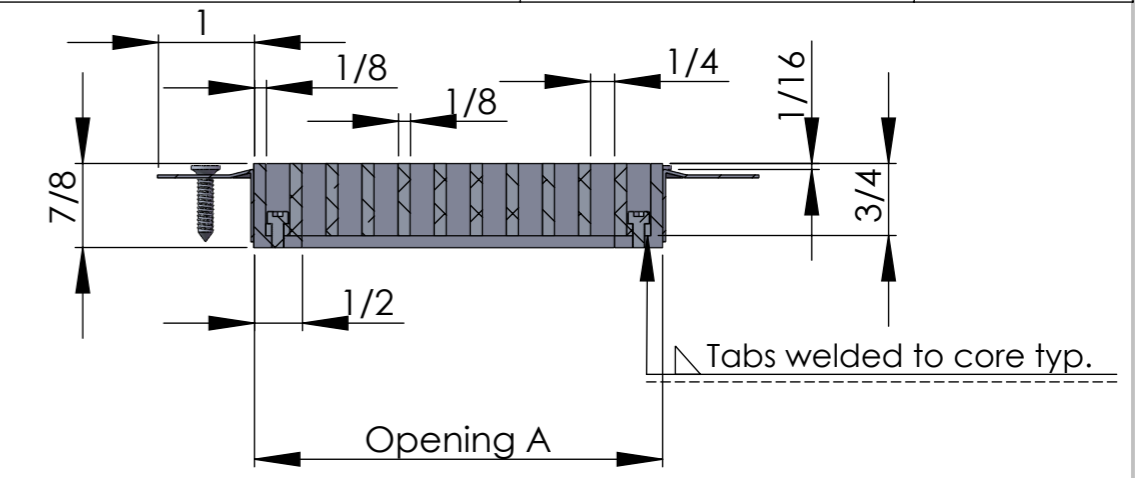
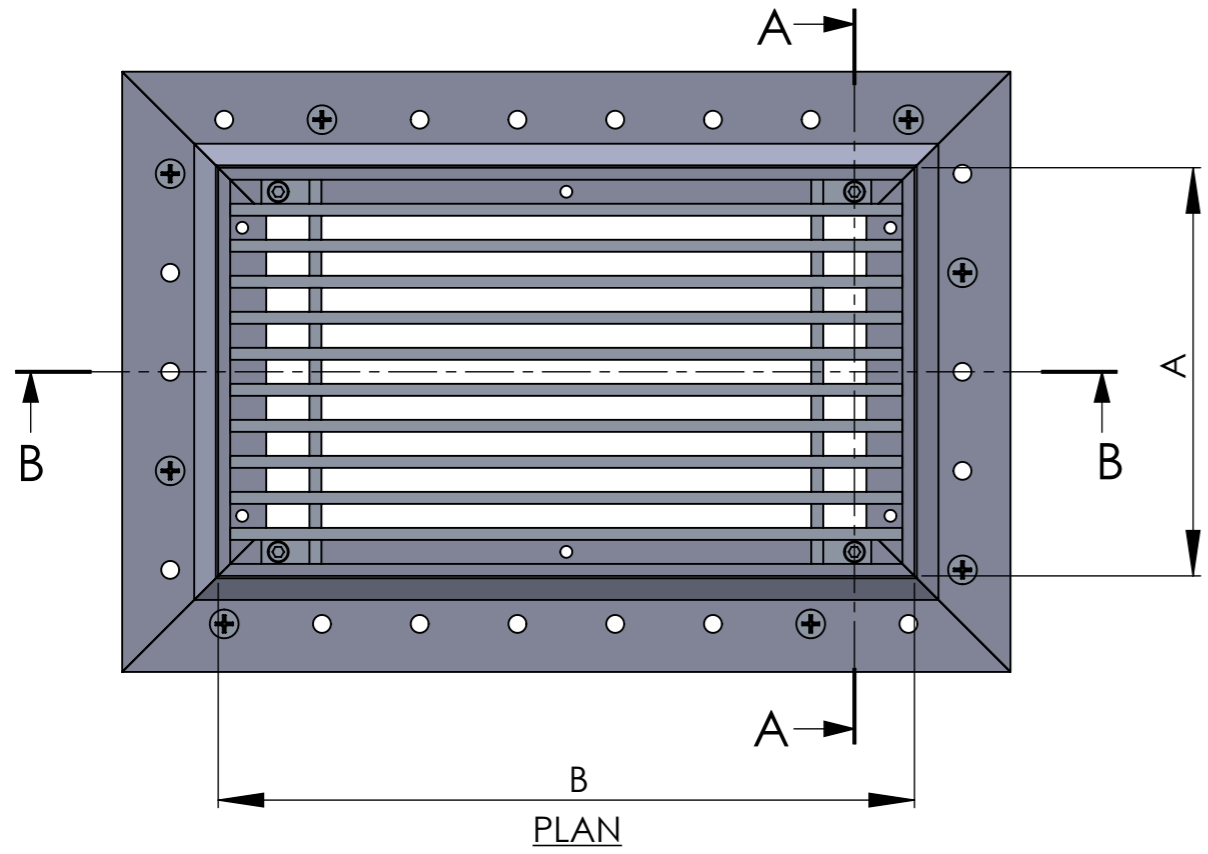




ITEM NO.	PART NUMBER	DESCRIPTION	QTY.
1	J-frame grille (for brass or stainless steel)		1
2	Removable AG10 core		1
3	Screw (provided)		4
4	Typical dry wall screw (not provided)		8
5	Hex head screw driver (provided)		1



	ARCHITECTURAL GRILLE			
	42 SECOND AVENUE BROOKLYN, NY 11215 WWW.ARCHGRILLE.COM			
CUSTOMER			Drawn by Heg	SIZE B
DESCRIPTION #513 Method of fastening			SCALE 1"=2"	REV -
			SHEET	DMS.513.0