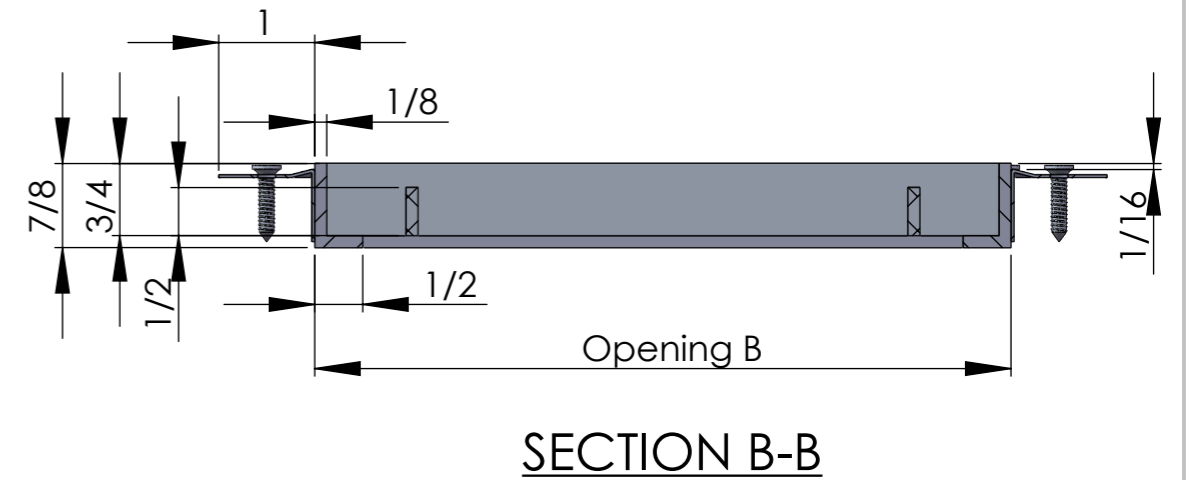
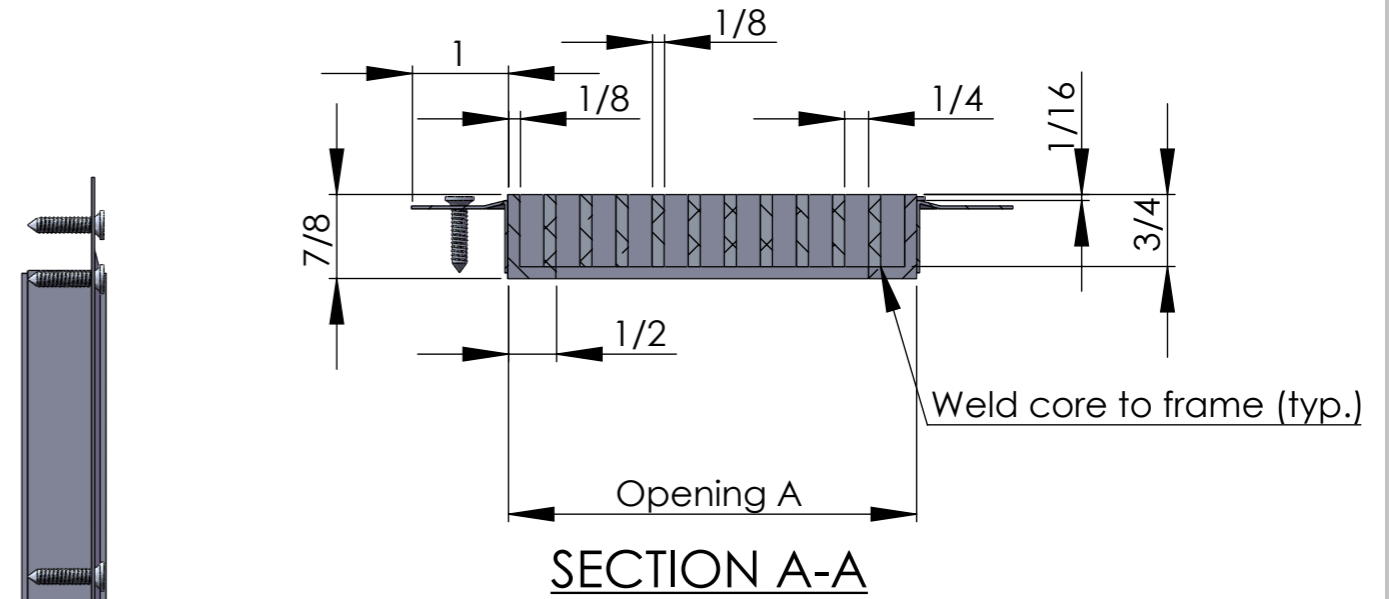
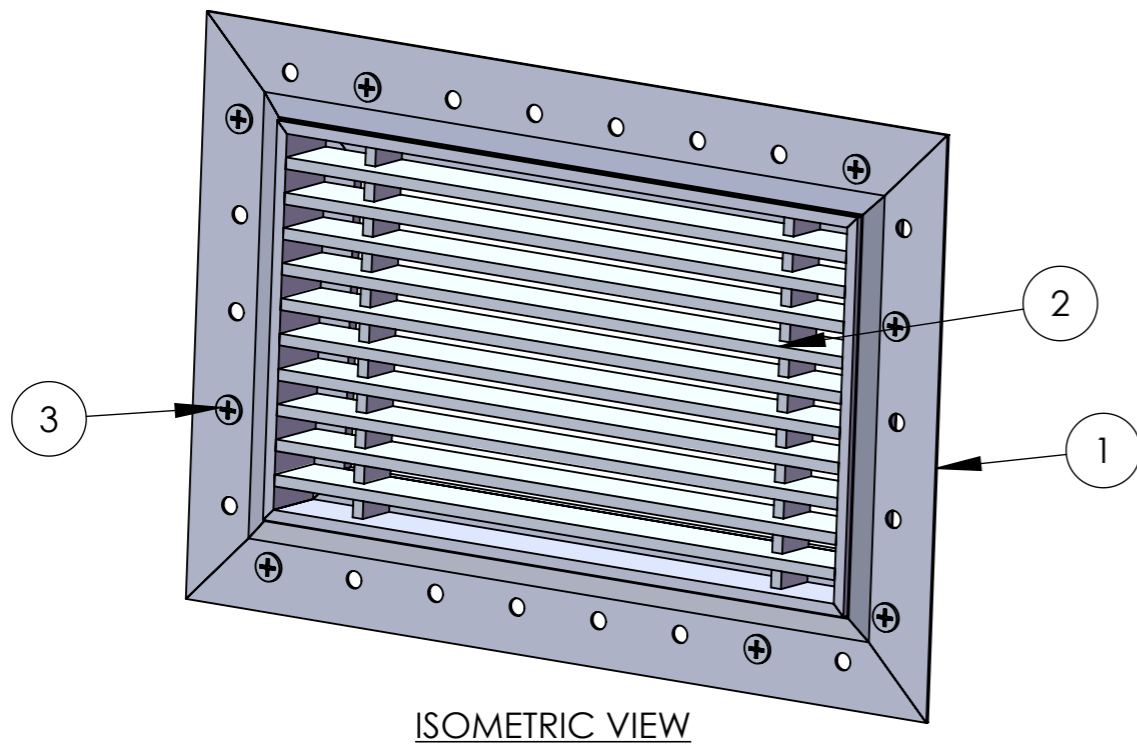
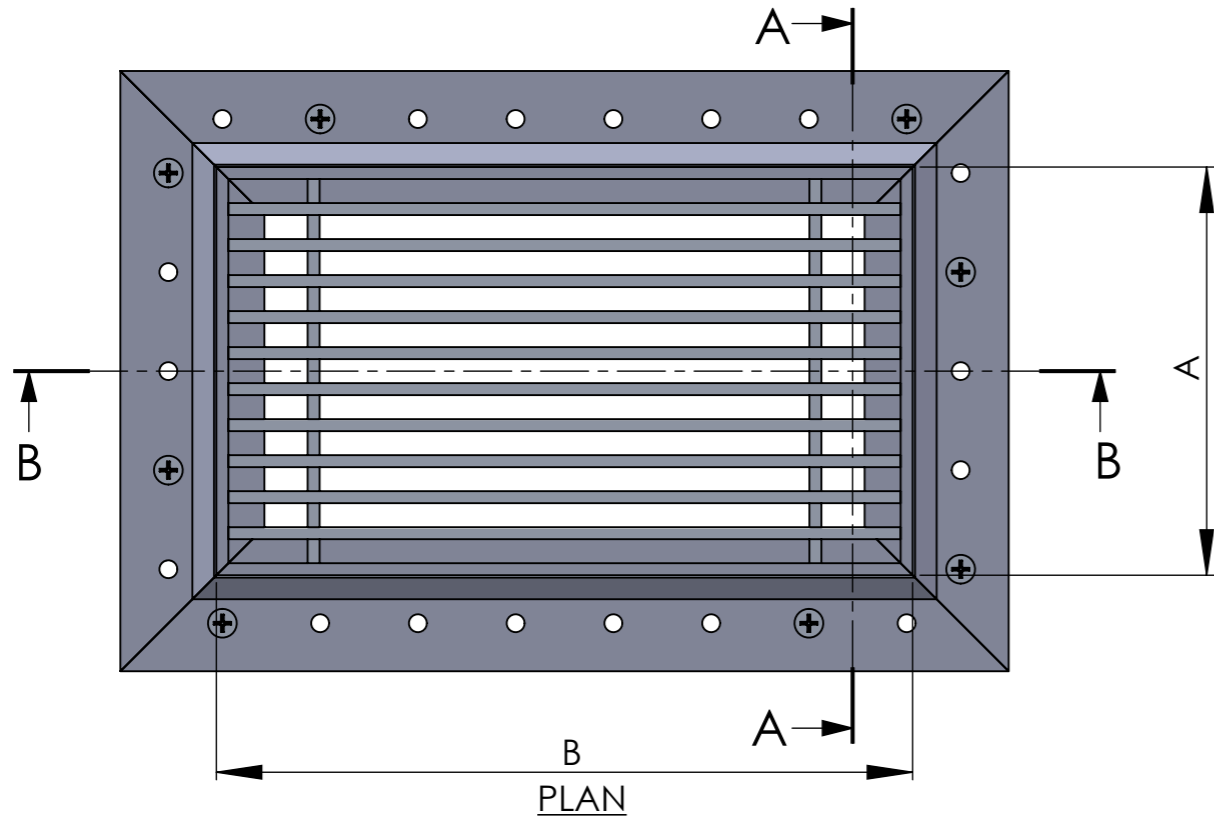




ITEM NO.	PART NUMBER	DESCRIPTION	QTY.
1	Standard J-frame (for brass or stainless steel)		1
2	Standard AG10 core		1
3	Typical dry wall screw (supplied by contractor)		8



	ARCHITECTURAL GRILLE			
	42 SECOND AVENUE BROOKLYN, NY 11215 WWW.ARCHGRILLE.COM			
CUSTOMER			Drawn by Heg	SIZE B
DESCRIPTION #512 Method of fastening			SCALE 1"=2"	REV -
			SHEET	DMS.512.0