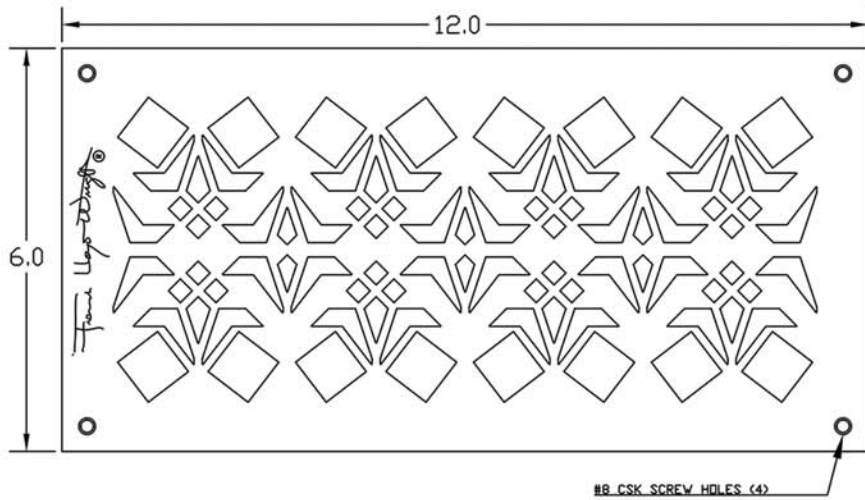
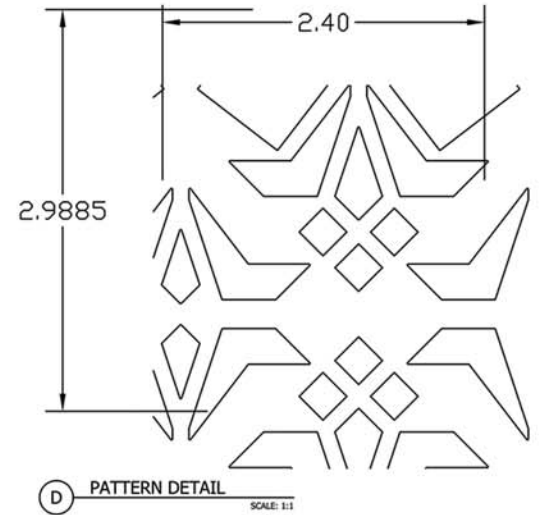


A PLAN SCALE: 6" = 1'



B PLAN SCALE: 6" = 1'

NOTES:  
 Available in 6"x12" and 6"x14"  
 Material: Aluminum Powder Coated.  
 Pattern Size: 4.5325" x 2.6473"  
 Percentage of opening: 42%



<b>AG</b>	<b>ARCHITECTURAL GRILLE</b>			
	42 SECOND AVENUE BROOKLYN, NY 11215			
CUSTOMER	DRAWN BY	DATE	SCALE	REV
FLW	SG	3/17/17	As Noted	-
DESCRIPTION			SHEET	
Tulips			D1	