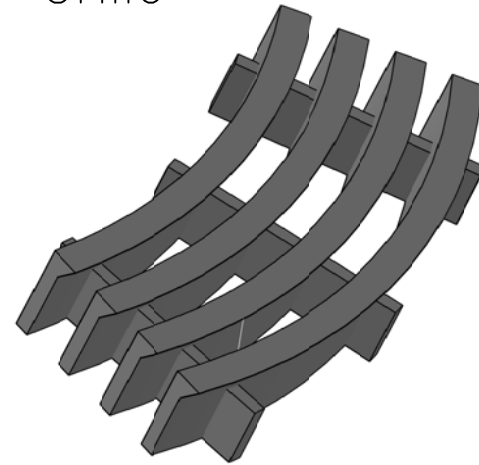
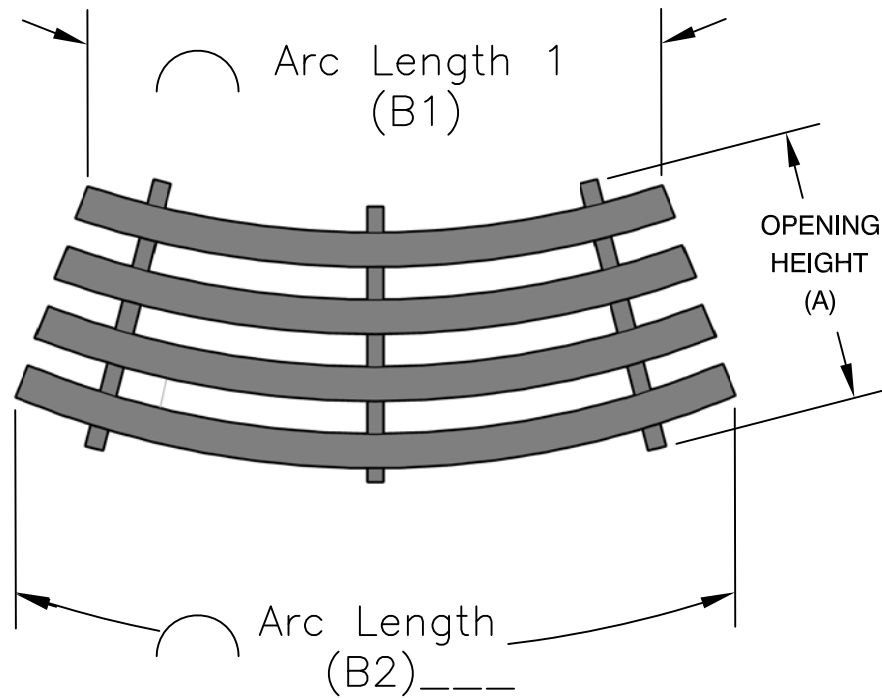


Flat Face Curved Linear Bar Grille



Note: Blade Direction
On AG20 & AG50
ONLY

↓

Requirements

Requirements					
Material		Finish		Core	Frame
				AG 20	Core
Line	QTY	(B1)	(B2)	A (Height)	Mounting



ARCHITECTURAL GRILLE

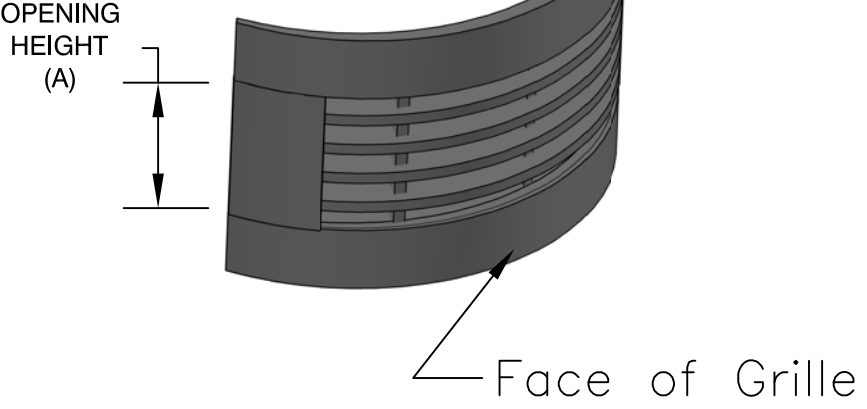
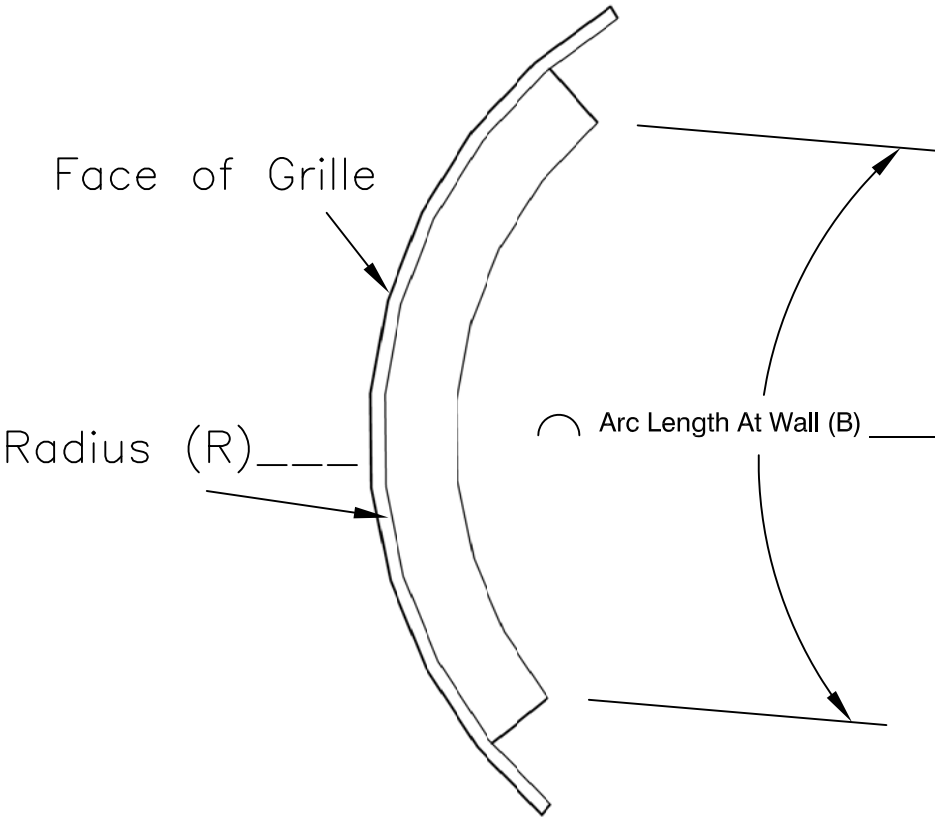
42 SECOND AVENUE
BROOKLYN, NY 11215
WWW.ARCHGRILLE.COM

CUSTOMER			DRAWN BY SG	SIZE A	REV -
DESCRIPTION Flat Face Curved Linear Bar Grille			SCALE NTS	SHEET D1	

1 Plan

NTS

Convex Linear Bar Grille



Requirements					
Material		Finish		Core	Frame
				AG 10	B Frame
Line	QTY	B (Length)	A (Height)	Radius (R)	Mounting



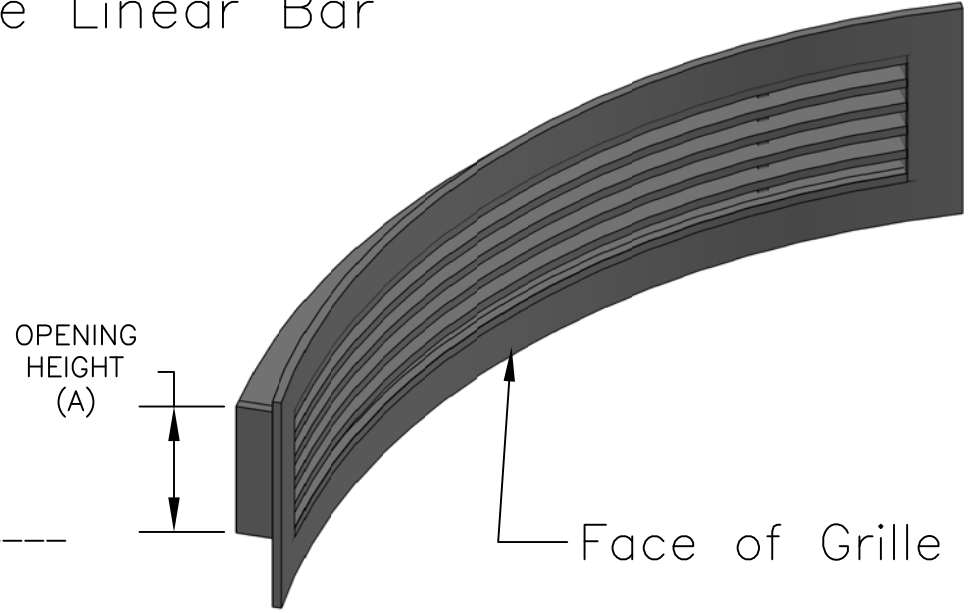
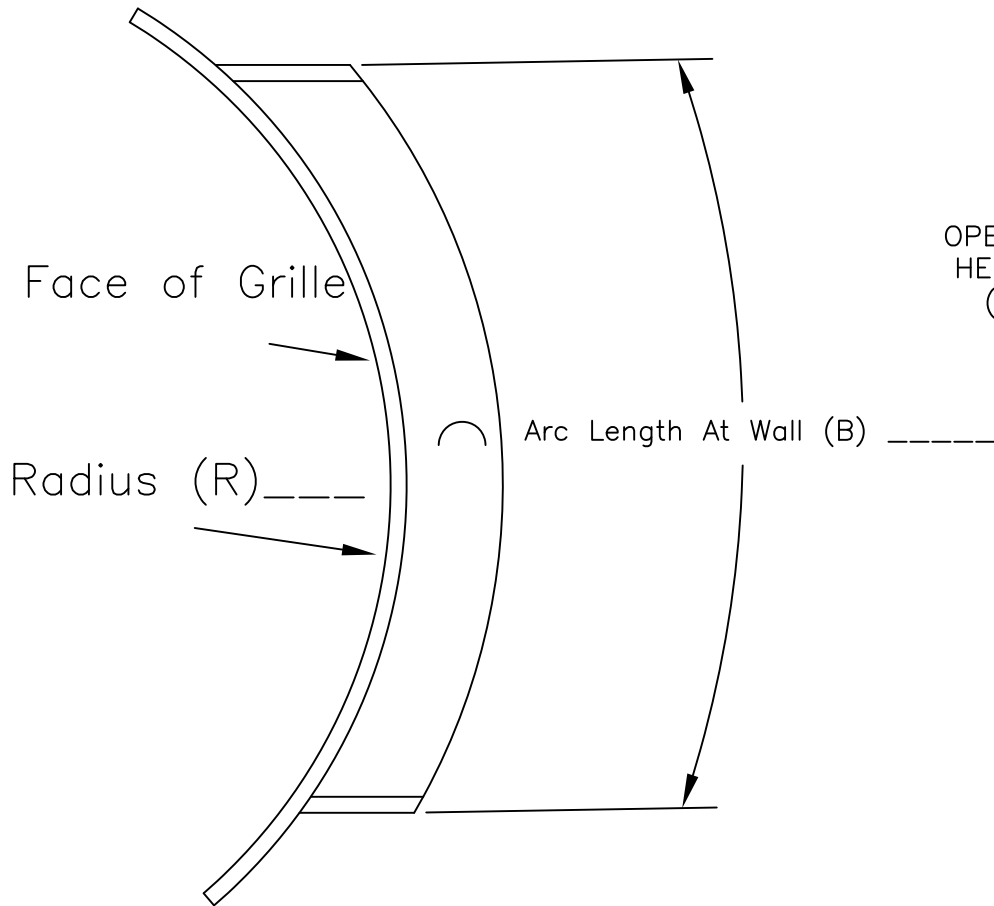
ARCHITECTURAL GRILLE

42 SECOND AVENUE
 BROOKLYN, NY 11215
 WWW.ARCHGRILLE.COM

1 SECTION _____
 NTS

CUSTOMER			DRAWN BY SG	SIZE A	REV -
DESCRIPTION Convex Curved Linear Bar Grille			SCALE NTS	SHEET D1	

Concave Linear Bar Grille



Requirements					
Material		Finish		Core	Frame
				AG 10	B Frame
Line	QTY	B (Length)	A (Height)	Radius (R)	Mounting



ARCHITECTURAL GRILLE

42 SECOND AVENUE
 BROOKLYN, NY 11215
 WWW.ARCHGRILLE.COM

1 SECTION
 NTS

CUSTOMER			DRAWN BY SG	SIZE A	REV -
DESCRIPTION Concave Curved Linear Bar Grille			SCALE NTS	SHEET D1	