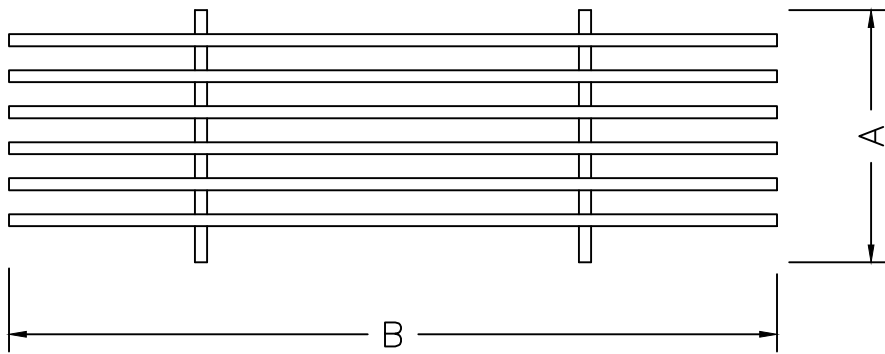
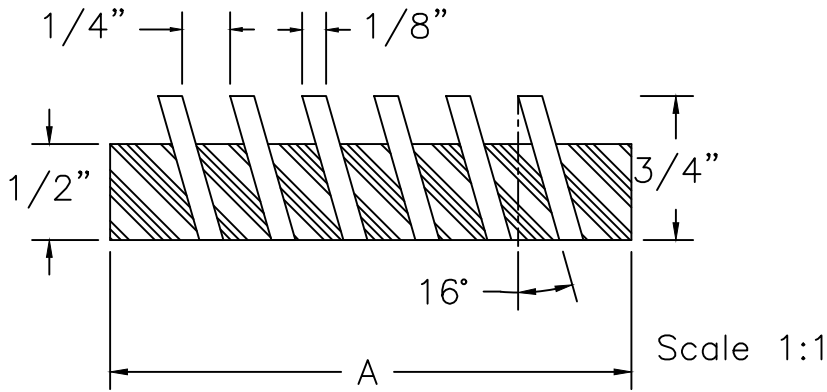


AG 40 CORE ONLY



REQUIREMENTS

MATERIAL:
 THICKNESS: 3/4" depth
 FINISH:
 MOUNTING: CORE ONLY

SIZES (Opening)		
QTY	A	B

NOTE:



ARCHITECTURAL GRILLE

42 SECOND AVENUE
 BROOKLYN, NY 11215
 WWW.ARCHGRILLE.COM

CUSTOMER

SIZE
A

REV
-

DESCRIPTION
AG40-CORE

SCALE
1"=1"

SHEET
1

DATE

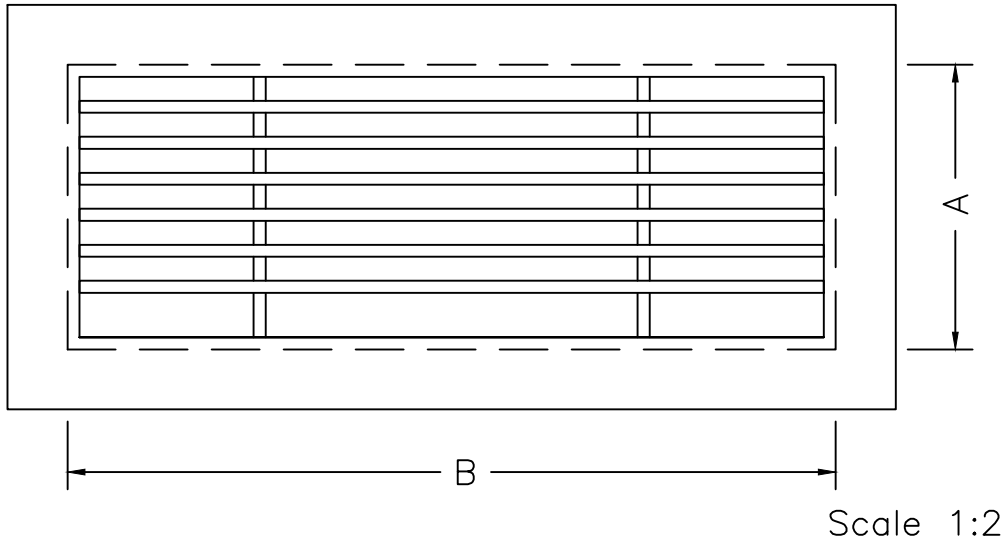
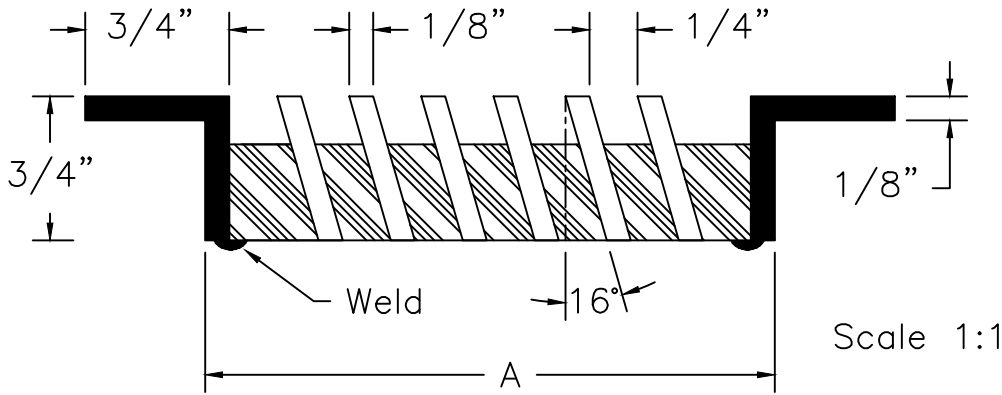
APPROVED

-

JOB #

QUOTE #

AG 40 B FRAME



REQUIREMENTS

MATERIAL:

THICKNESS: $\frac{3}{4}$ " depth

FINISH:

MOUNTING: B FRAME

SIZES (Opening)

QTY	A	B

NOTE:



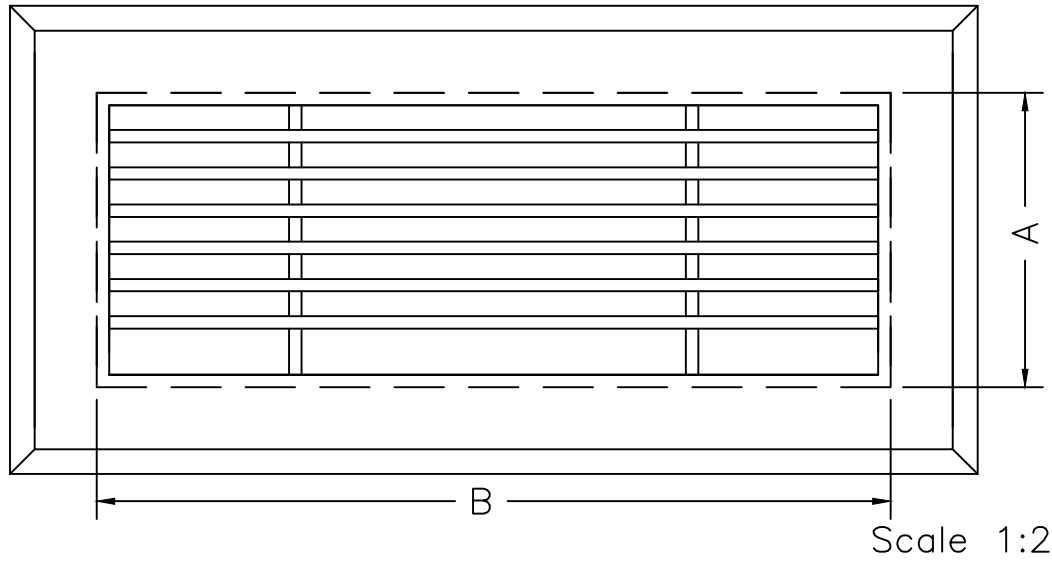
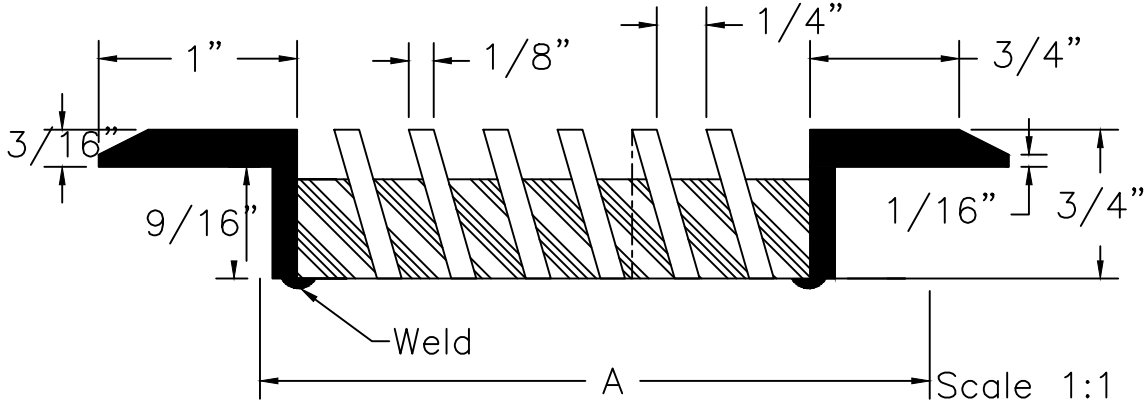
ARCHITECTURAL GRILLE

42 SECOND AVENUE
BROOKLYN, NY 11215
WWW.ARCHGRILLE.COM

CUSTOMER	SIZE A	REV -
DESCRIPTION AG40-B.FRAME	SCALE 1"=1"	SHEET 3

DATE	APPROVED
-	
JOB #	
QUOTE #	

AG 40 D FRAME



REQUIREMENTS

MATERIAL: ALUMINUM ONLY
 THICKNESS: 3/4" depth
 FINISH:
 MOUNTING: D FRAME

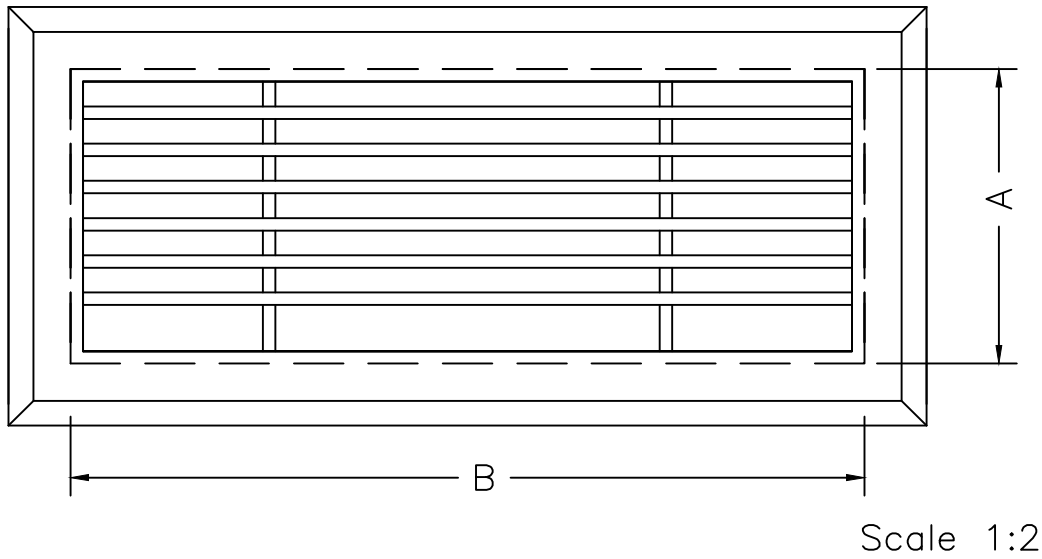
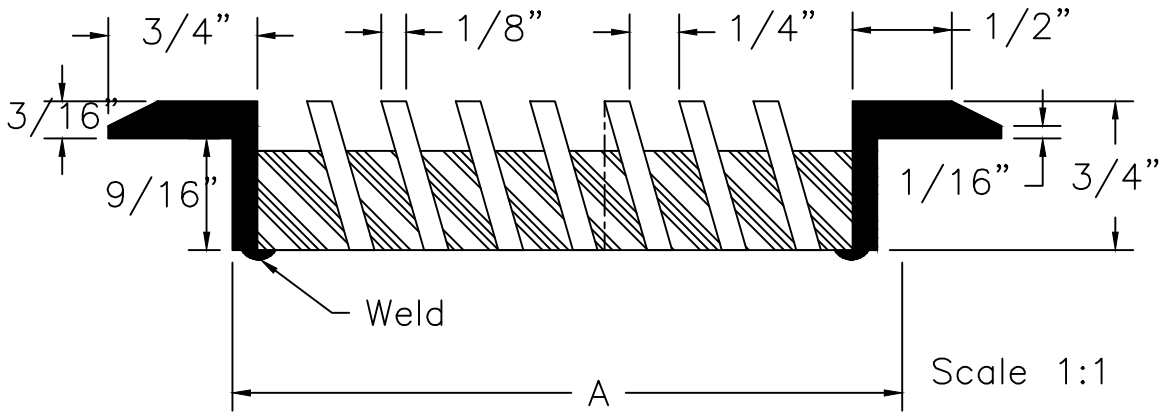
QTY	SIZES (Opening)	
	A	B

NOTE:

		ARCHITECTURAL GRILLE 42 SECOND AVENUE BROOKLYN, NY 11215 WWW.ARCHGRILLE.COM	
		CUSTOMER	
DESCRIPTION AG40-D.FRAME		SCALE 1"=1"	REV A -
SHEET 5		DATE -	APPROVED

DATE -	APPROVED
JOB #	
QUOTE #	

AG 40 E FRAME



REQUIREMENTS

MATERIAL: ALUMINUM ONLY

THICKNESS: 3/4" depth

FINISH:

MOUNTING: E FRAME

SIZES (Opening)

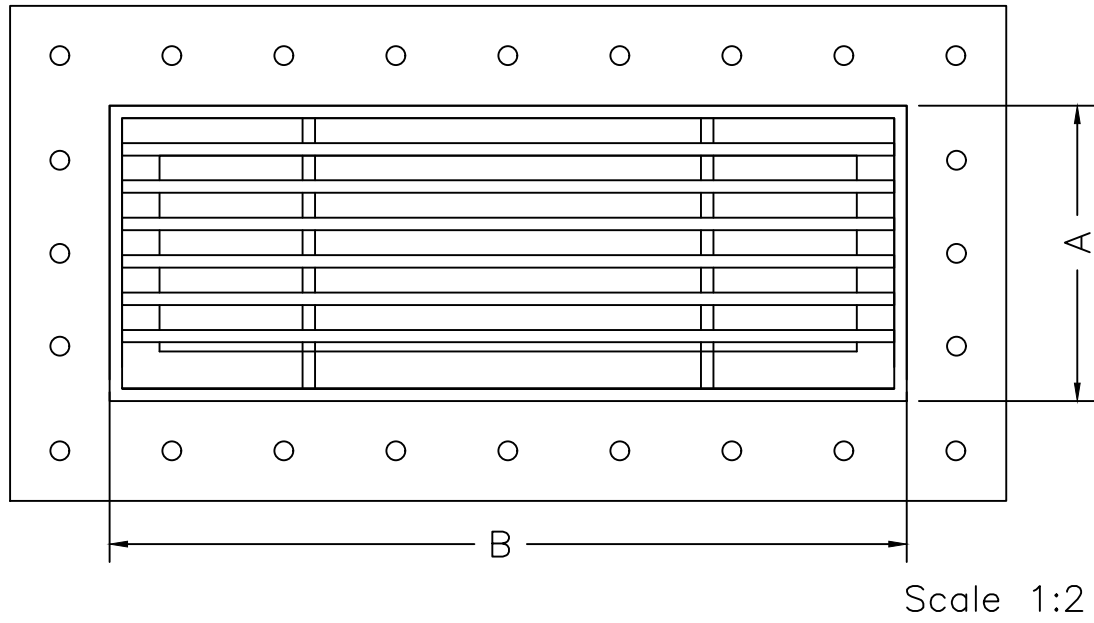
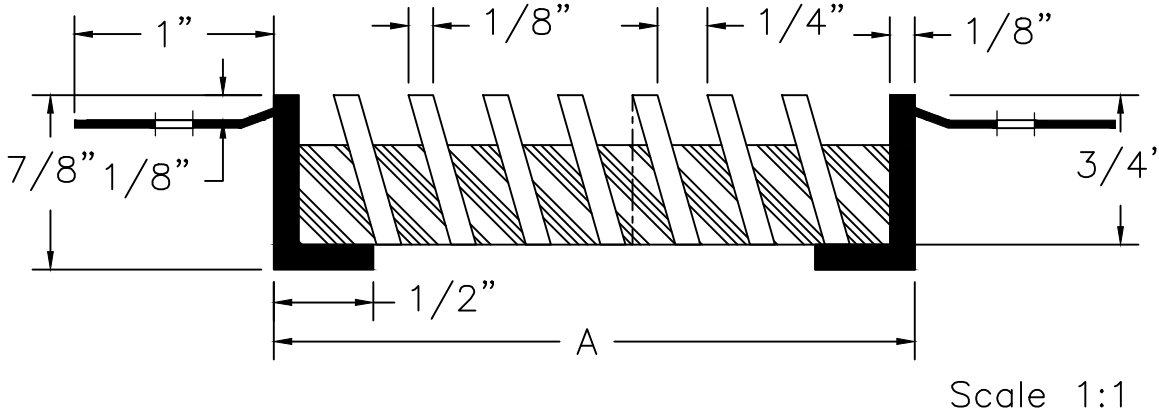
QTY	A	B

DATE	APROVED
-	
JOB #	
QUOTE #	

NOTE:

	ARCHITECTURAL GRILLE		
42 SECOND AVENUE BROOKLYN, NY 11215 WWW.ARCHGRILLE.COM			
CUSTOMER		SIZE	REV
		A	-
DESCRIPTION		SCALE	SHEET
AG40-E.FRAME		1"=1"	6

AG 40 J FRAME



REQUIREMENTS

MATERIAL:


THICKNESS: 7/8" depth

FINISH:

MOUNTING: J FRAME

QTY	SIZES (Opening)	
	A	B

NOTE:



ARCHITECTURAL GRILLE

42 SECOND AVENUE
 BROOKLYN, NY 11215
 WWW.ARCHGRILLE.COM

CUSTOMER			SIZE	REV
			A	-
DESCRIPTION		SCALE		SHEET
AG40-J.FRAME		1"=1"		9

DATE	APPROVED
-	
JOB #	
QUOTE #	