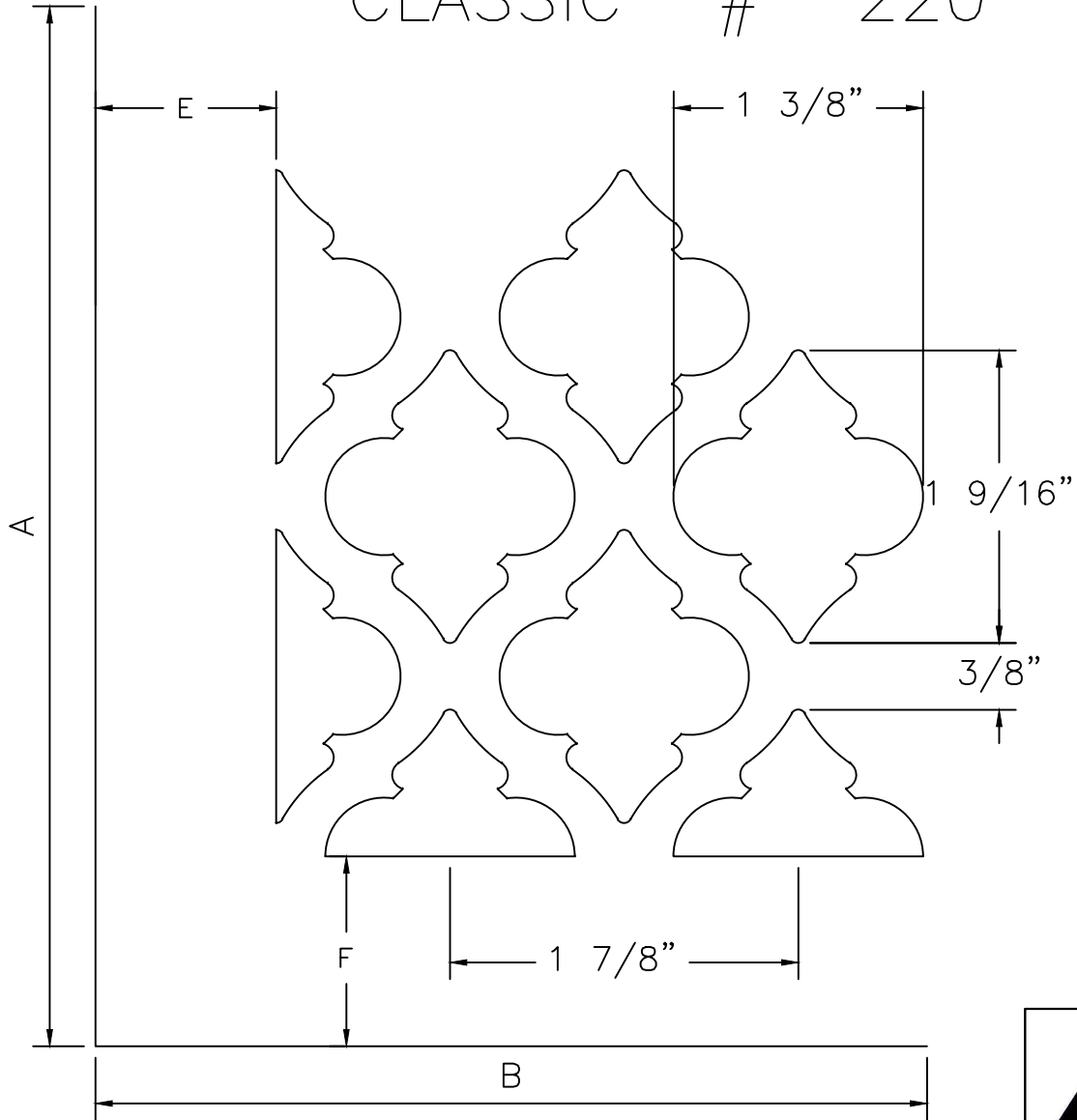


CLASSIC # 220



REQUIREMENTS

MATERIAL:

THICKNESS:

FINISH:

MOUNTING:

QTY	SIZES (Overall)		BORDERS	
	A	B	E	F

DATE

APPROVED

-

....

JOB #

QUOTE #

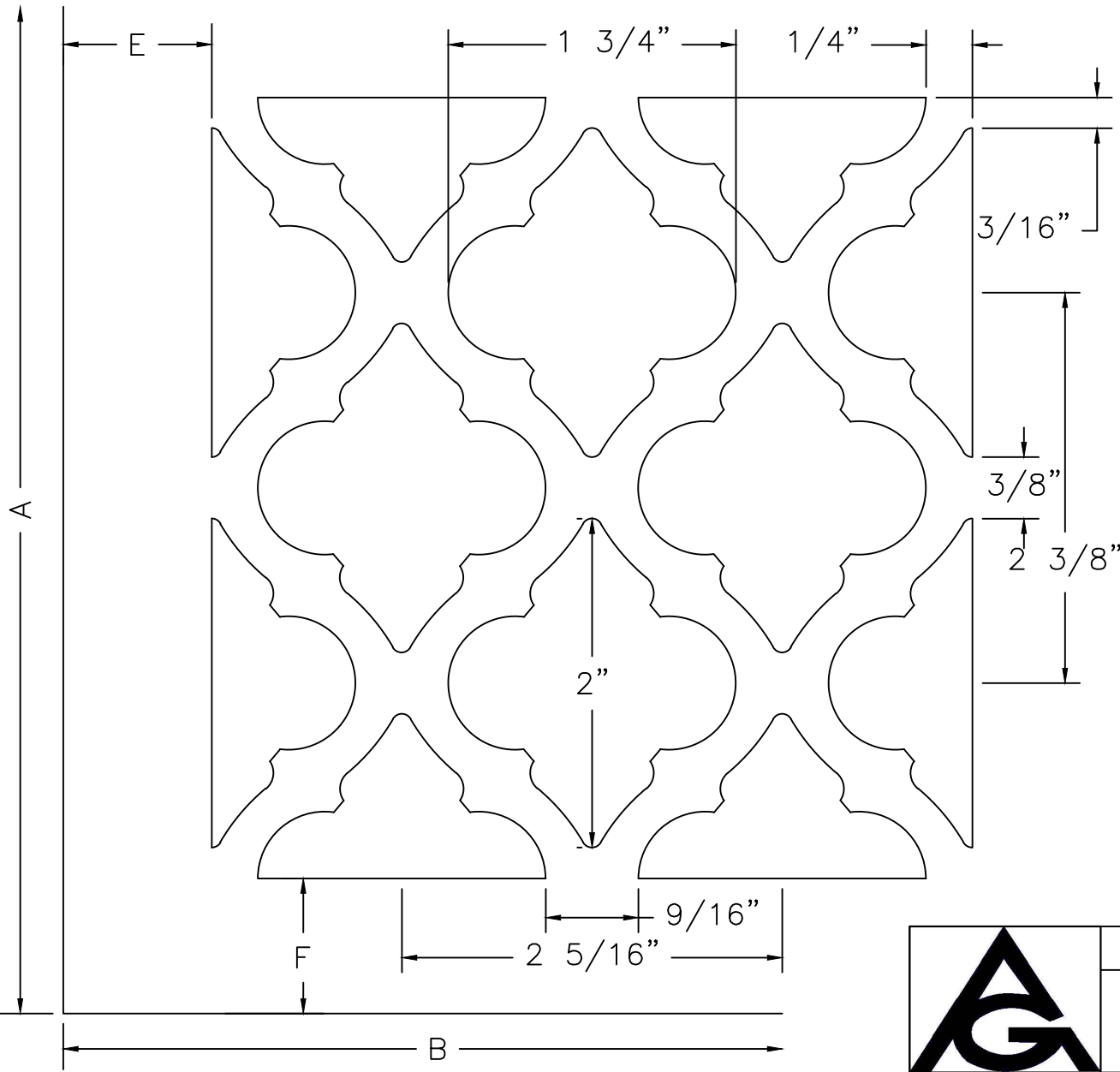


ARCHITECTURAL GRILLE

42 SECOND AVENUE
 BROOKLYN, NY 11215
 WWW.ARCHGRILLE.COM

CUSTOMER	-	DRAWN BY	SIZE	REV
DESCRIPTION	CLASSIC # 220 1 5/8"x1 5/16"	SCALE	1:1	SHEET
				D1

CLASSIC # 220



REQUIREMENTS

MATERIAL:

THICKNESS:

FINISH:

MOUNTING:

QTY	SIZES (Overall)		BORDERS	
	A	B	E	F

DATE

APPROVED

—

...

JOB #

QUOTE #



ARCHITECTURAL GRILLE

42 SECOND AVENUE
 BROOKLYN, NY 11215
 WWW.ARCHGRILLE.COM

CUSTOMER	—	DRAWN BY	SIZE	REV
DESCRIPTION	CLASSIC # 220 2"x1 3/4"	SCALE	1:1	SHEET
				D1