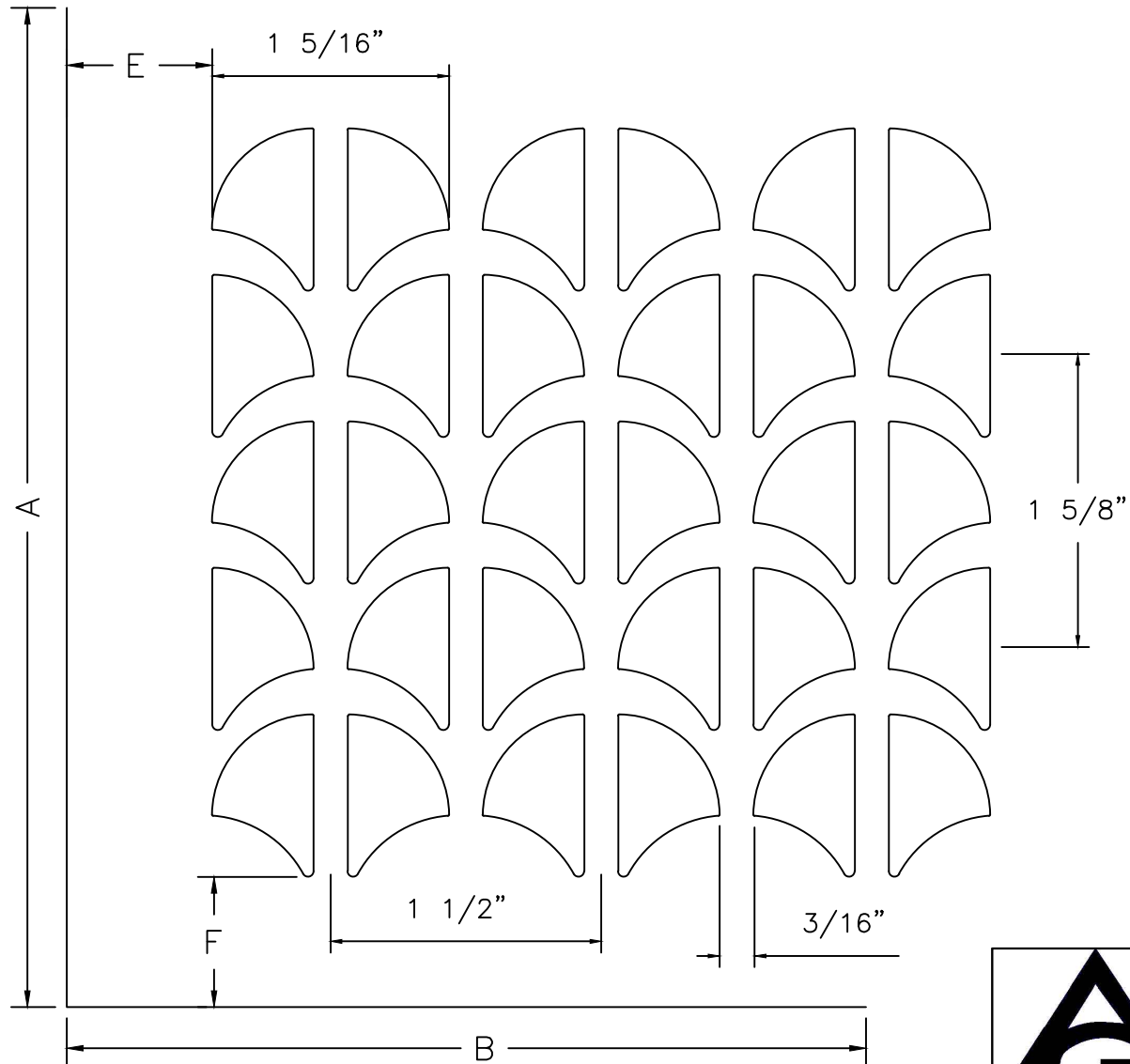


# HALF SHELL #209



## REQUIREMENTS

MATERIAL:

THICKNESS:

FINISH:

MOUNTING:

QTY	SIZES (Overall)		BORDERS	
	A	B	E	F

DATE

APPROVED

—

...

JOB #

QUOTE #



**ARCHITECTURAL GRILLE**

42 SECOND AVENUE  
BROOKLYN, NY 11215  
WWW.ARCHGRILLE.COM

CUSTOMER

—

DRAWN BY

SIZE

REV

DESCRIPTION

HALF SHELL #209 1 5/16"

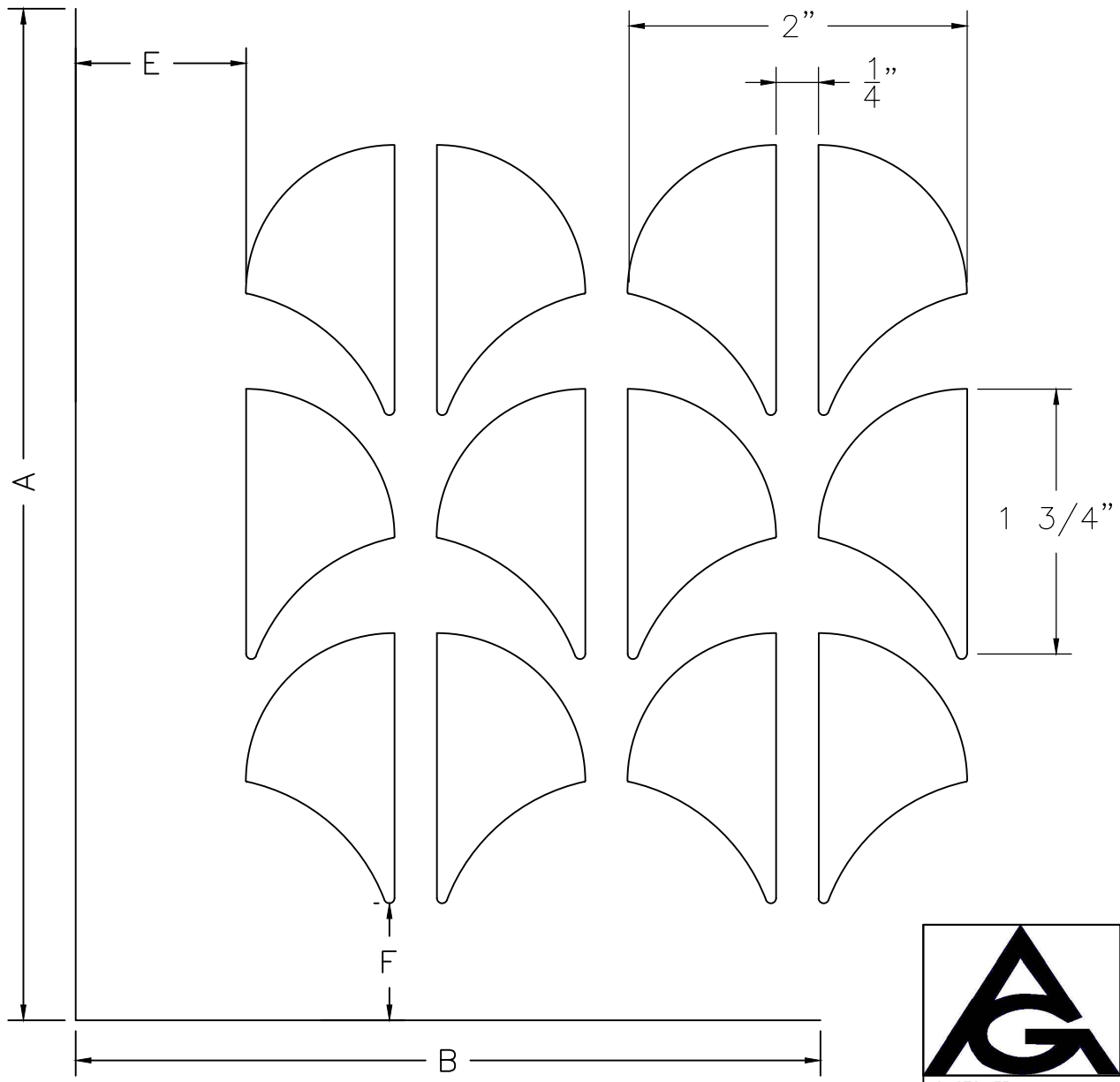
SCALE

1:1

SHEET

D1

# HALF SHELL #209



## REQUIREMENTS

MATERIAL:  
 THICKNESS:  
 FINISH:  
 MOUNTING:

QTY	SIZES (Overall)		BORDERS	
	A	B	E	F

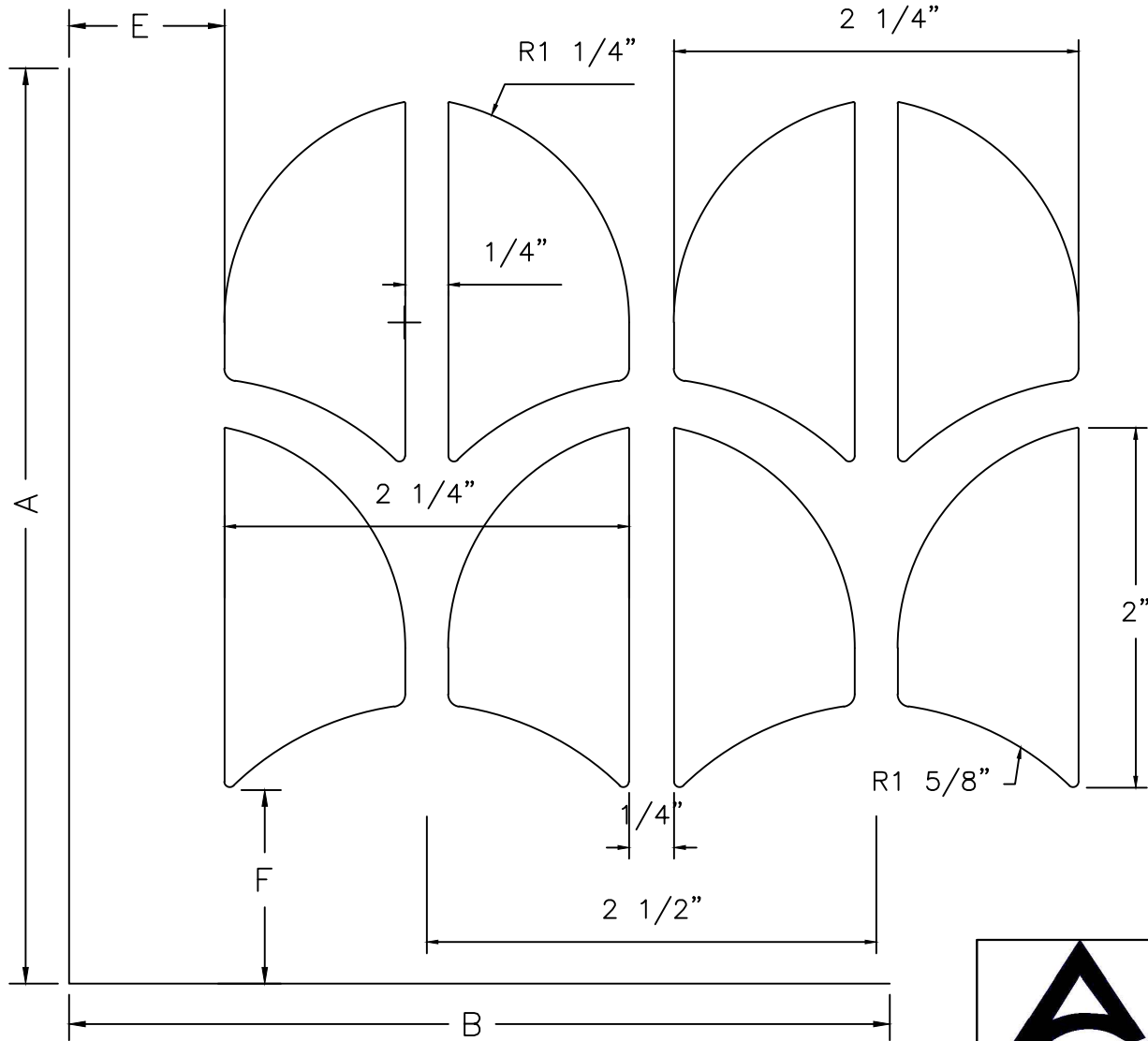
DATE: \_\_\_\_\_ APPROVED: \_\_\_\_\_  
 JOB # \_\_\_\_\_  
 QUOTE # \_\_\_\_\_



**ARCHITECTURAL GRILLE**  
 42 SECOND AVENUE  
 BROOKLYN, NY 11215  
 WWW.ARCHGRILLE.COM

CUSTOMER -	DRAWN BY	SIZE	REV
DESCRIPTION HALF SHELL # 209 1 3/4"	SCALE 1:1	SHEET D1	

# HALF SHELL #209



## REQUIREMENTS

MATERIAL:

THICKNESS:

FINISH:

MOUNTING:

QTY	SIZES (Overall)		BORDERS	
	A	B	E	F

DATE	APPROVED
—	....
JOB #	
QUOTE #	



## ARCHITECTURAL GRILLE

42 SECOND AVENUE  
 BROOKLYN, NY 11215  
 WWW.ARCHGRILLE.COM

CUSTOMER	—	DRAWN BY	SIZE	REV
DESCRIPTION	HALF SHELL #209 2 1/4"	SCALE	1:1	SHEET
				D1