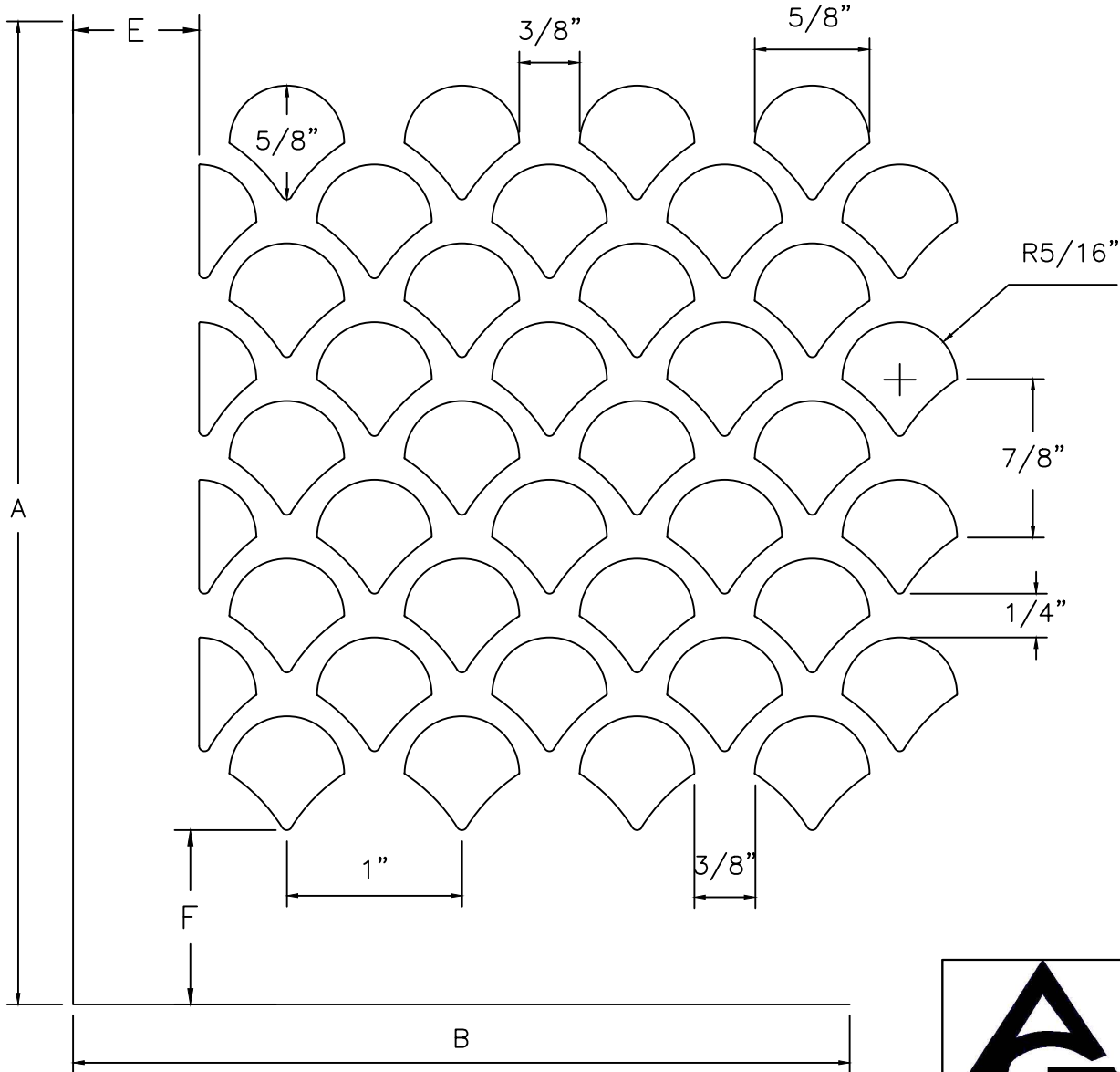


SHELL # 207



REQUIREMENTS

MATERIAL:

THICKNESS:

FINISH:

MOUNTING:

QTY	SIZES (Overall)		BORDERS	
	A	B	E	F

DATE	APPROVED
—	...

JOB #

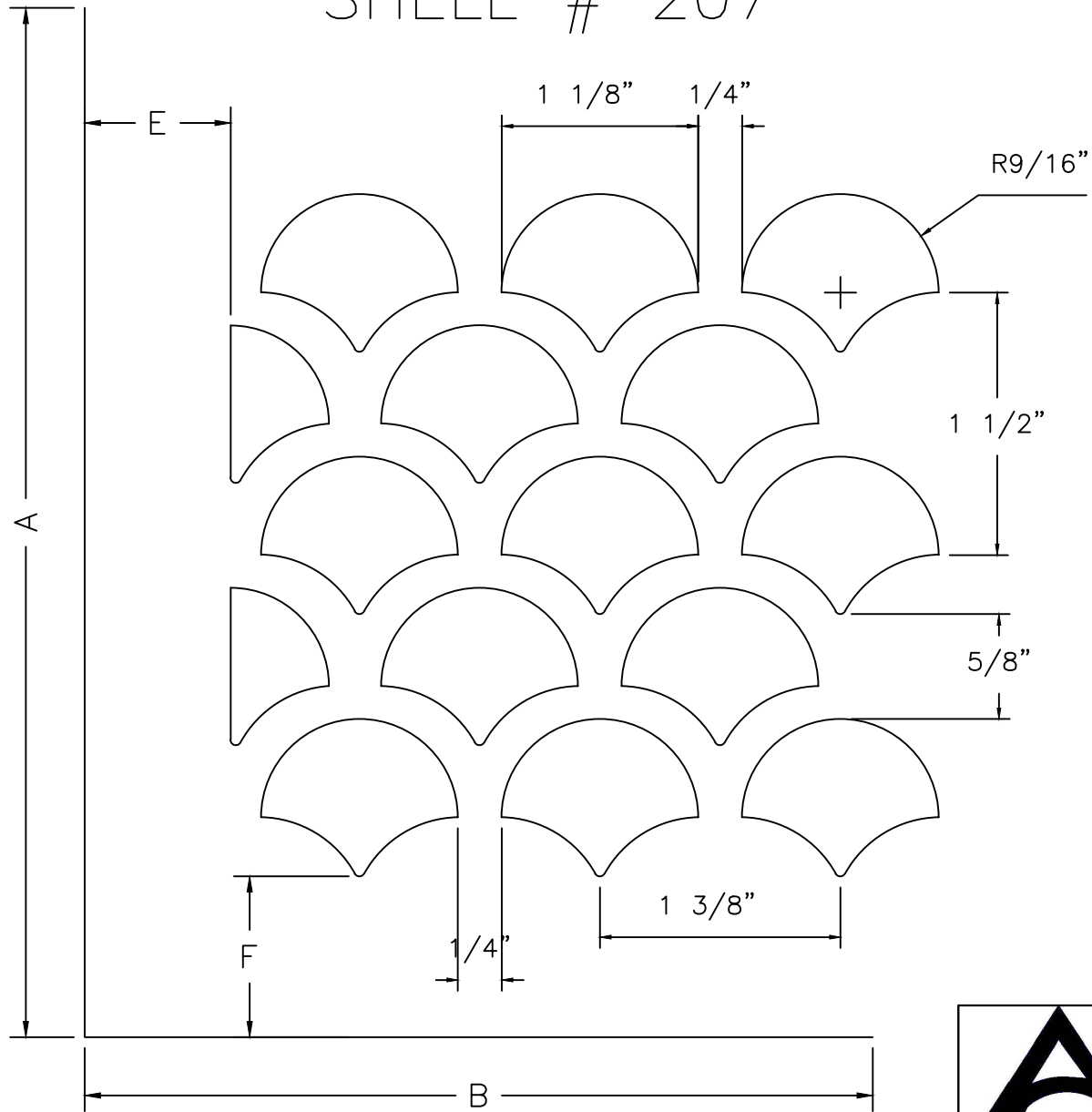
QUOTE #



ARCHITECTURAL GRILLE
 42 SECOND AVENUE
 BROOKLYN, NY 11215
 WWW.ARCHGRILLE.COM

CUSTOMER	DRAWN BY	SIZE	REV
DESCRIPTION	SCALE	SHEET	
SHELL # 207 5/8"	1:1	D1	

SHELL # 207



REQUIREMENTS

MATERIAL:

THICKNESS:

FINISH:

MOUNTING:

QTY	SIZES (Overall)		BORDERS	
	A	B	E	F

DATE	APPROVED
—	...

JOB #

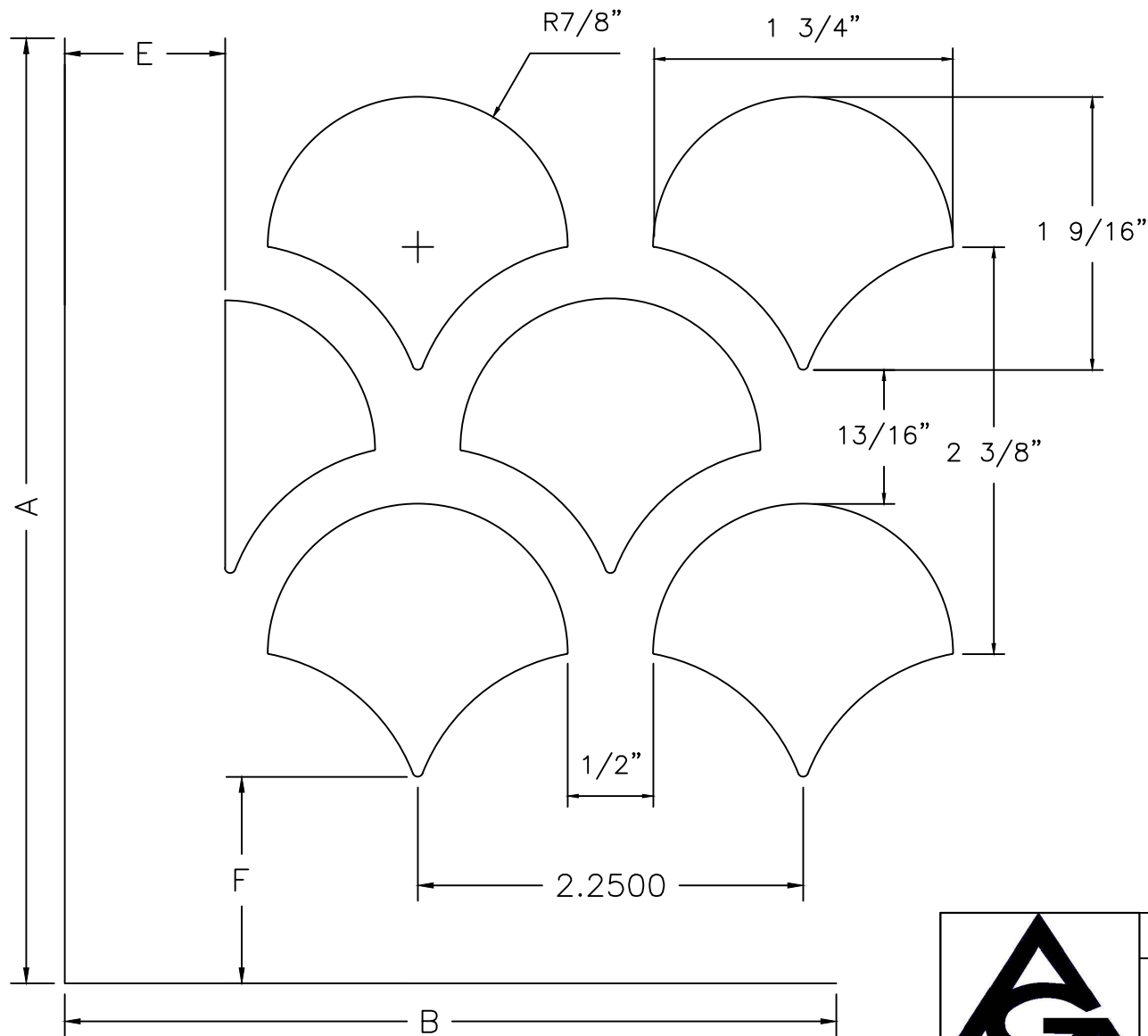
QUOTE #



ARCHITECTURAL GRILLE
 42 SECOND AVENUE
 BROOKLYN, NY 11215
 WWW.ARCHGRILLE.COM

CUSTOMER	DRAWN BY	SIZE	REV
—			
DESCRIPTION	SCALE	SHEET	
SHELL # 207 1 1/8"	1:1	D1	

SHELL # 207



REQUIREMENTS

MATERIAL:

THICKNESS:

FINISH:

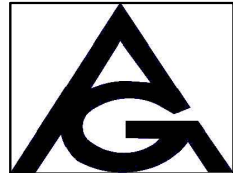
MOUNTING:

QTY	SIZES (Overall)		BORDERS	
	A	B	E	F

DATE	APPROVED
-	...

JOB #

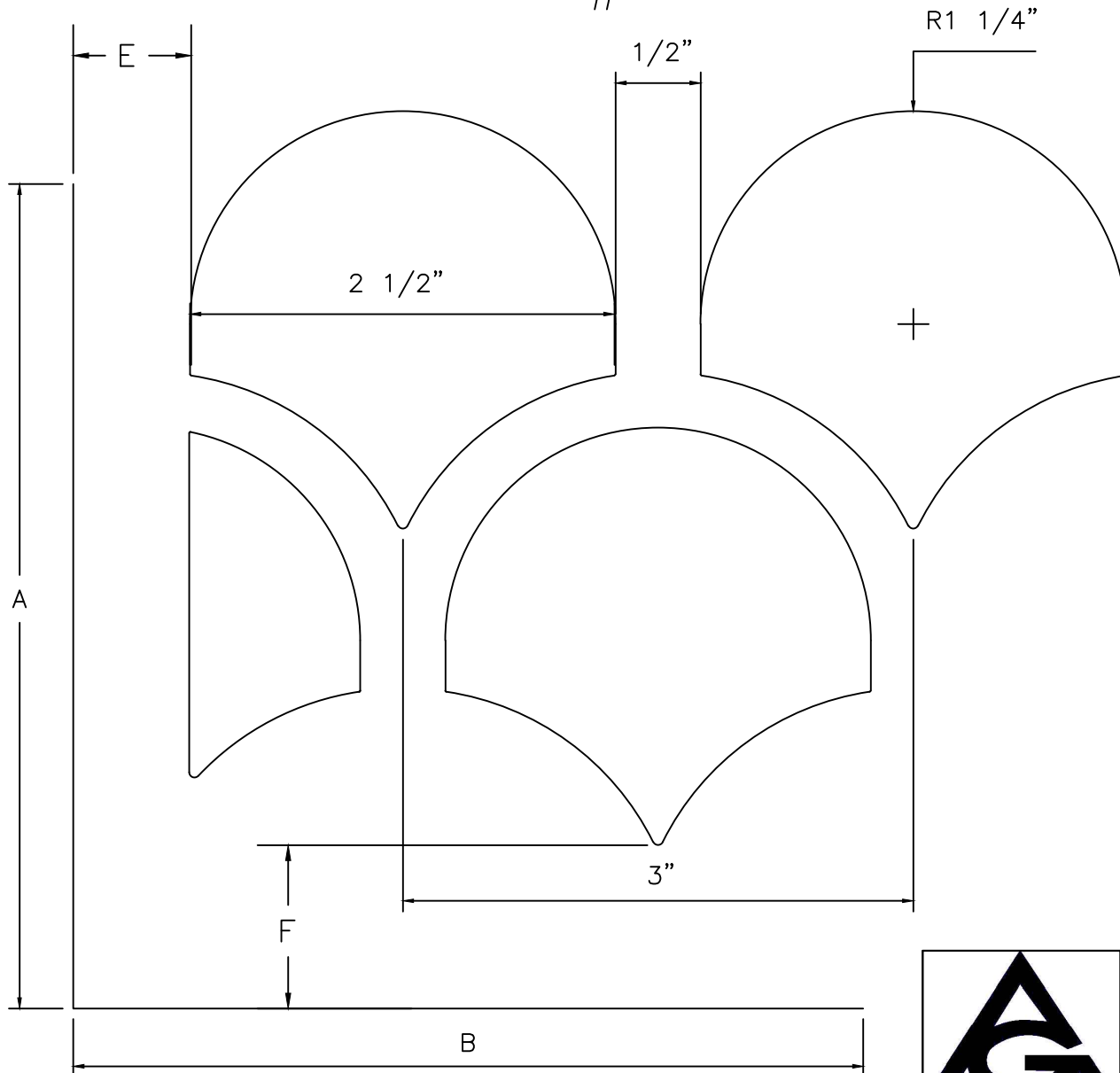
QUOTE #



ARCHITECTURAL GRILLE
 42 SECOND AVENUE
 BROOKLYN, NY 11215
 WWW.ARCHGRILLE.COM

CUSTOMER	DRAWN BY	SIZE	REV
-			
DESCRIPTION	SCALE	SHEET	
SHELL # 207 1 3/4"	1:1	D1	

SHELL # 207



REQUIREMENTS

MATERIAL:

THICKNESS:

FINISH:

MOUNTING:

QTY	SIZES (Overall)		BORDERS	
	A	B	E	F

DATE	APPROVED
—

JOB #

QUOTE #



ARCHITECTURAL GRILLE
 42 SECOND AVENUE
 BROOKLYN, NY 11215
 WWW.ARCHGRILLE.COM

CUSTOMER	—	DRAWN BY	SIZE	REV
DESCRIPTION	SHELL # 207 2 1/2"	SCALE	1:1	SHEET
				D1