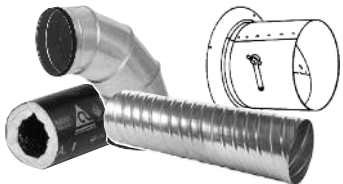


Registers, Grilles & Diffusers



Ductwork



Fans



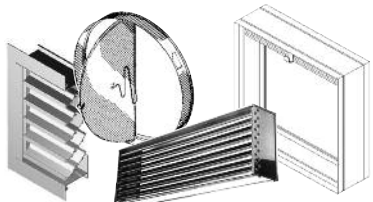
Roof Products



Access Products



B-Vent



Louvers & Dampers



Air Terminals



Air Purification



WE'RE ENGINEERING AIR...®

Air Products Stock Catalog



ORDER ONLINE 24/7 www.engineeringair.com

8997 A Yellow Brick Road
Baltimore, MD 21237
Phone: 410-574-9200
TOLL-FREE: 1-800-466-3828
Fax: 410-574-0089
Text WALDRON to 22828 to join our Email List



engineeringair.com



We're Engineering Air...®

AIR PRODUCTS WAREHOUSE

Factory authorized stocking representatives since 1980



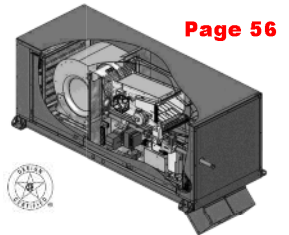
Since 1980 we have provided the finest in air distribution, heating, ventilating, and air purification equipment to contractors in the Maryland area. As stocking manufacturer's representatives we offer almost 2,000 stock items available from our 24,000 sq. ft. of warehouses in Baltimore. We offer local delivery and customer pick-up; or shipment via common carrier, Federal Express, or UPS ground or air.

As full service manufacturer's reps we also provide product support and design assistance to Architects, Engineers, contractors and installers; serving the plan & specification market and design-build construction. See inside back cover for list of our manufacturers and their products. Visit our website to view our Bid Calendar for projects we are quoting. Please contact us for pricing and availability on non-stock or custom manufactured products for drop shipment direct from the factory.

We thank all our customers who have made our success possible for more than 40 years.



Ultra-Efficient Gas Fired Space Heaters



100% Outside Air
No Flue Required
No Heat Exchanger



ORDER ONLINE 24/7

www.engineeringair.com



PHONE: 410.574.9200

FAX: 410.574.0089

TOLL FREE: 800.466.3828

Text: WALDRON to 22828 to join our Email List

Visit our live bid calendar and request quotations



See Back Cover for map, business hours, and shipping information. See Terms and Conditions of Sale on Page 2.



SALES AND SUPPORT

Sales Associates:

Brian Garriss

Larry Higdon

Jim Higdon

Frank Ferguson

Steve Markley

brianatwaldronofmd.com

larryatwaldronofmd.com

jimatwaldronofmd.com

frankatwaldronofmd.com

steveatwaldronofmd.com

Bids/Estimating:

Sarah Lechner

Coulton Trevey

sarahatwaldronofmd.com

coultonatwaldronofmd.com

Sales Engineer:

Greg Killian

gregatwaldronofmd.com

Customer Support:

Judy Muller

judyatwaldronofmd.com

Stock Manager:

Everett Billings

everettatwaldronofmd.com

For general questions and information

infoatwaldronofmd.com

Registers, Grilles
& Diffusers

Spiral & Snaplock
Ductwork

Roof, Ceiling &
Wall Fans

Roof Curbs, Rails
Vents & Caps

Access Doors &
Panels

B-Vent Gas Flue

Louvers &
Dampers

Air Terminals

Air Purification



We're Engineering Air...®
AIR PRODUCTS WAREHOUSE



Table of Contents

Access doors-drywall.	41	Flexible round duct	43
Access doors-Duct.	45, 51	Frame-surface mount.	6
Airtite duct take-offs	42	Fusible Links	13
Brick Vents.	19, 51	Grilles- surface mount.	9
B-Vent Flue	50	Grilles- T-Bar lay-in.	5
Caps-roof	19-20, 49	Grilles-egg crate type	5-6
Caps-wall	19, 49	Grilles-filter type	6
Ceiling Radiation dampers & Blankets.	13	Grilles-door type	11
Dampers-backdraft.	52	Gripple Hangers.	44
Dampers-diffusers	4	Louvers	51
Dampers-round duct.	46-47	MAP & HOURS	Back Cover
Diffusers-linear plenum slot	4	Pipe Portals	53
Diffusers-smart VAV.	10	Plasma Air Purification	55
Diffusers-surface mount	7	Punch, Roper Whitney.	49
Diffusers-T-Bar lay-in	3-4	Registers-curved blade ceiling.	7
Diffusers-round	6, 11	Registers-return	9
Duct Sealer-Hardcast.	54	Registers-supply.	8
Duct straps & clamps.	43	Roof Curbs.	53
Equipment supports/roof rails	52	Snaplock pipe & fittings.	48-49
Elbows- snaplock adjustable	48	Sound Reduction Hood	11
Elbows-spiral fixed	47	Spiral duct & fittings, registers	44-47
Fans- Fumex wall type	34	Switch- time delay.	19, 23
Fans- Zephyr ceiling & inline cabinet . 14-20, 22		Switch-speed control	19, 23
Fans Zephyr ceiling fan/light.	21	Tape-Duct.	54
Fans-Breezeway wall propeller	40	TERMS & CONDITIONS	2
Fans-Domex roof type	24-31	Unit/Space Heater	56
Fans-Fumex roof type	32-33	Transitions-square to round, backpans	42
Fans-Fumex UL762 kitchen fans	35-39	VAV Boxes (Air Terminals).	10
Fiberglass back pans	11	Vibration hangers & mounts	23
Fire Dampers	12-13	Manufacturers Page	57

Waldron of Maryland, Inc.'s Terms and Conditions of Sale

ALL ORDERS PLACED BY CUSTOMER WILL BE SUBJECT TO THE TERMS AND CONDITIONS OF SALE SET FORTH BELOW. ANY ADDITIONAL OR DIFFERENT TERMS PROPOSED BY CUSTOMER ARE DEEMED TO BE REJECTED UNLESS EXPRESSLY CONSENTED TO IN WRITING SIGNED BY AN OFFICER OF WALDRON OF MARYLAND, INC. (AS APPLICABLE, "WALDRON," "WE," OR "US").

1.) WHOLESAL ORDERS:All wholesale orders are subject to our written acceptance. Possession of, or access to our catalog or website does not constitute any right to purchase goods from us.

2.) PRICES:Prices listed in the catalog are effective March 2021 and are subject to change without notice. Catalog prices are for standard inventory products. The applicable price for any order will be the price in effect when Customer places the order, as set forth on our then-current price schedule on file with us. Prices are exclusive of Maryland sales tax. We will charge sales tax on orders for which Customer in Maryland has not provided a sales tax exemption certificate or resale certificate.

3.) PAYMENT TERMS:For Customers that maintain credit qualifications we have approved in writing; payment terms are net thirty (30) calendar days from date of our invoice. For other approved Customers, payment via cash, Visa, MasterCard, American Express, certified check, or money order is due prior to shipment or at the time of pickup at our warehouse. All payments must be in U.S. dollars. Past due accounts are subject to an interest charge of 1.5% per month. Account balances paid by credit card are subject to a 2.5% surcharge.

4.) COLLECTION FEES:If we incur collection costs to collect amounts due under any order, Customer shall pay all costs of collection, including, but not limited to, the higher of all reasonable attorney's fees incurred or an attorney's fee equal to thirty percent(30%) of all sums due and outstanding, as well as court costs.

5.) DELIVERY:All stock items are normally available for Customer pickup. Orders can be shipped at Customer's expense via LTL common carrier, local hauler, Federal Express, or UPS; F.O.B. our Baltimore warehouse. Waldron also charges a shipping and handling fee on each order. Local scheduled delivery by our truck is available and subject to a shipping charge if beyond our standard delivery radius. We retain title to the ordered goods until we receive payment in full.

6.) WARRANTIES:

(a) Customer may be entitled to the benefit from certain limited warranties provided directly by the manufacturer of the goods purchased. We assume no liability for nor any responsibility under said third party warranties unless such liability or responsibility is expressly provided in writing signed by one of our officers. OTHER THAN AS EXPRESSLY SET FORTH HEREIN, THERE ARE NO WARRANTIES, EXPRESSED OR IMPLIED, GIVEN BY US IN CONNECTION WITH THE GOODS WHICH ARE THE SUBJECT OF THIS CONTRACT, AND WE DISCLAIM ALL OTHER WARRANTIES, INCLUDING WARRANTIES OF MERCHANTABILITY, FITNESS FOR A PARTICULAR PURPOSE AND NON-INFRINGEMENT OF THIRD PARTY RIGHTS. ANY WARRANTIES PROVIDED HEREIN ON THE GOODS DESCRIBED IN THIS CONTRACT ARE VOID IF THE GOODS SOLD UNDER THIS CONTRACT ARE REPAIRED, ALTERED OR MODIFIED IN ANY WAY WITHOUT OUR PREVIOUS AND SPECIFIC APPROVAL, IN WRITING SIGNED BY ONE OF OUR OFFICERS. OUR SALES PERSONNEL ARE NOT AUTHORIZED TO MAKE WARRANTIES ABOUT OUR GOODS SOLD AND OUR EMPLOYEES' ORAL STATEMENTS DO NOT CONSTITUTE WARRANTIES AND SHALL NOT BE RELIED UPON BY CUSTOMER AND ARE NOT A PART OF ANY QUOTATION OR CONTRACT OF SALE.

(b) Any warranties included herein do not extend or apply to Customer's use of any of our products in conjunction with any item, element, or component which has not been furnished by us or approved in writing by one of our officers.

(c) We are sales representatives of third party companies that develop, manufacture and distribute the goods we sell. We do not warrant and/or represent the quality, performance and condition of such goods on behalf of such companies.

(d) Customer acknowledges that it has been advised that no agent, employee,

or representative of Waldron has any authority to bind Waldron to any affirmation, promise, representation or warranty concerning any of the Goods, and, unless such affirmation, promise, representation or warranty is specifically set forth in this Contract, it does not form a basis of this bargain and shall not be enforceable against the Waldron.

7.) RETURNS:No stock items may be returned without our prior written authorization. Requests to return stock items must be made within sixty (60) calendar days of purchase and must include our original invoice number. The returned goods must be new, in their original undamaged packaging, and are subject to inspection. Returned goods are subject to a twenty-five percent (25%) restocking fee. Items other than shown in the catalog are special order items and are not returnable and cannot be cancelled. Customer will be invoiced for special order items left in our warehouse for more than thirty (30) calendar days after the goods are made available to Customer.

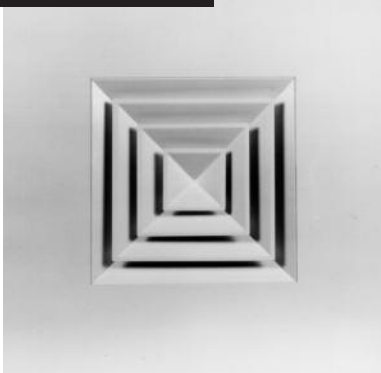
8.) NOTICE OF CLAIM:No action by Customer shall be brought at any time against us unless we receive written notice of such claim within sixty (60) calendar days after the event complained of first becomes known or should have become known to Customer, whichever is earlier. Any legal proceedings in connection with such a claim shall be filed within twelve months after the event complained of first became known or should have become known to Customer or shall be considered forever barred.

9.) LIMITATION OF LIABILITY:Our liability hereunder shall be limited, at our option, to: (a) to the repair or replacement of the goods ordered; (b) to the amount of the invoice price paid by Customer; or (c) the return of Customer's paid deposit, if any, as set forth herein. EXCEPT AS SET FORTH HEREIN, WE SHALL NOT BE LIABLE FOR ANY DAMAGES, DIRECT, INDIRECT, INCIDENTAL OR CONSEQUENTIAL, INCLUDING, BUT NOT LIMITED TO, RESULTING FROM ITS DELIVERY OF DEFECTIVE OR NON CONFORMING SERVICES, WORK PRODUCT AND/OR GOODS, OR FROM OUR DELAY IN DELIVERING SERVICES, WORK PRODUCT AND/OR GOODS NOR FOR ANY ANTICIPATED OR LOST PROFITS, INCIDENTAL DAMAGES, LOSS OF TIME, OR OTHER LOSSES INCURRED BY CUSTOMER OR ANY THIRD PARTY IN CONNECTION WITH THE GOODS AND SERVICES SOLD AS DESCRIBED HEREIN, INCLUDING, BUT NOT LIMITED TO, THE LOSS OF USE OF THE GOODS AND SERVICES SOLD HEREIN, FAILURE OF PERFORMANCE OF THE GOODS SOLD, LOSS OF ANY PROPERTY (WHETHER BELONGING TO CUSTOMER OR SOMEONE ELSE WHO HAS PROVIDED PROPERTY TO CUSTOMER WHICH IS UNDER CUSTOMER'S CUSTODY AND CONTROL), AND/OR FOR LOSS RESULTING FROM ANY INJURY, INCLUDING, BUT NOT LIMITED TO, CLAIMS ARISING OUT OF TORT AND/OR CONTRACT, LAW OR EQUITY.

10.) JURISDICTION:Customer hereby waives trial by jury and the right thereto in any action proceeding, arising out of, under or by reason of any purchase under any order placed with us. Customer's contractual relationship with us constitutes an agreement made in Maryland and is governed by the laws of Maryland. Any action arising from such agreement must be litigated in Maryland, and Customer (bypurchasing from us) consents to the exclusive personal jurisdiction and venue of any local, state, or federal court located in Maryland. Any suit, action, or proceedings filed by Customer against us shall be instituted in a Maryland State court located in Baltimore County, Maryland or, if Federal Court jurisdiction is applicable, in a Federal Court located in Maryland.

11.) This Order (including the Exhibit(s)) constitutes the full, entire, and integrated Agreement between the parties with respect to the subject matter hereof, and supersedes all prior negotiations, correspondence, understandings, and agreements among the parties respecting the subject matter hereof. This Contract shall inure to the benefit of and be binding upon the parties and their respective successors and assigns. Customer represents and warrants that there are no third party beneficiaries of this Order and Contract. Nothing in this Contract, express or implied, is intended to confer upon any other person any rights, remedies, obligations, or liabilities. No provision of this Contract may be amended, waived, or otherwise modified without the prior written consent of all of the parties hereto. The waiver by any party of a breach of any provision or condition contained in this Contract shall not operate or be construed as a waiver of any subsequent breach or of any other conditions hereof.

MODEL 5500S-6



FEATURES:

- Material: Steel
- Louvered Face
- 4-Way Blow Only
- Opposed Blade Damper Installed
- White Finish
- Optional Square to Round Available

MODEL 5500S-6 WITH DAMPER

LIST PRICES

NECK	CFM	FACE	PRICE
6 x 6	150	24 x 24	\$104
9 x 9	350	24 x 24	\$120
12 x 12	600	24 x 24	\$129
15 x 15	935	24 x 24	\$190

FEATURES:

- Material: Steel
- Louvered Face
- 4-Way Blow Only
- Optional BDS Damper See Page 4
- White Finish

MODEL 5500S-6 ROUND NECK

LIST PRICES

NECK DIA.	CFM	FACE	PRICE
6"	150	24 x 24	\$100
8"	350	24 x 24	\$120
10"	600	24 x 24	\$150
12"	600	24 x 24	\$150
14"	800	24 x 24	\$188
16"	1125	24 x 24	\$212

MODEL 4700-6



FEATURES:

- Material: Steel
- Full Louvered Face
- 360° Fixed Horizontal Air Pattern(4W)
- Optional BDS Damper See Page 4
- White Finish
- Optional Adjustable Model 5700A-6

MODEL 4700-6

LIST PRICES

NK. DIA.	CFM	FACE	FIXED	ADJ.
6" or 8"	200/350	12 x 12	\$50	—
6"	200	24 x 24	\$84	\$110
8"	350	24 x 24	\$84	\$110
10"	500	24 x 24	\$84	\$110
12"	650	24 x 24	\$84	\$110
14"	800	24 x 24	\$84	\$110

MODEL 7500-6



FEATURES:

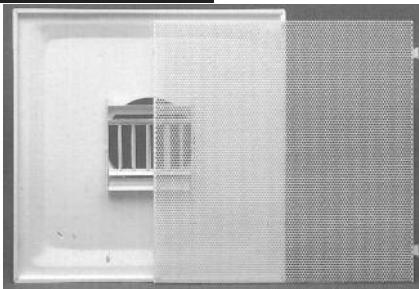
- Material: Steel
- Hinged Perforated Face
- 1-, 2-, 3-, 4-Way Adjustable
- Optional BDS Damper See Page 4
- Metal*Aire White Finish Inside & Outside

MODEL 7500-6

LIST PRICES

NECK DIA.	CFM	FACE	PRICE
6"	150	12 x 12	\$62
6"	150	24 x 24	\$70
8"	275	24 x 24	\$70
10"	350	24 x 24	\$70
12"	500	24 x 24	\$70
14"	600	24 x 24	\$70
16"	675	24 x 24	\$70

MODEL 7600-6



FEATURES:

- Material: Steel
- Hinged Perforated Face
- 4-Way Blow
- Optional BDS Damper See Page 4
- Metal*Aire White Finish Inside & Outside

MODEL 7600-6

LIST PRICES

NECK DIA.	CFM	FACE	PRICE
6"	125	24 x 24	\$80
8"	200	24 x 24	\$80
10"	300	24 x 24	\$86
12"	350	24 x 24	\$86
14"	425	24 x 24	\$96
16"	600	24 x 24	\$98

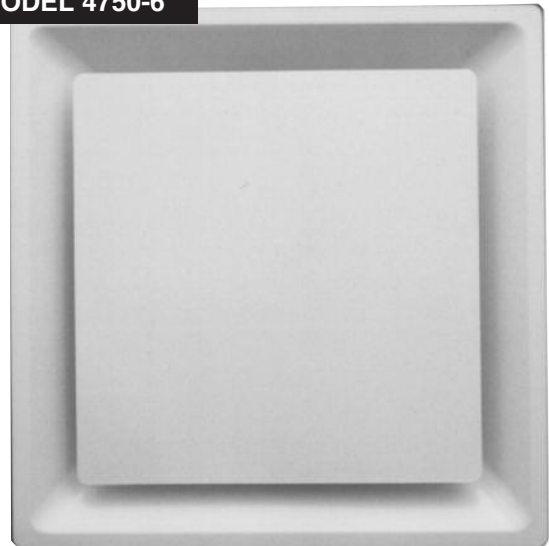
Note: CFMs listed with air devices are suggested capacities for normally configured commercial duct systems. Generally these were selections at approximately NC30. Call for engineering catalogs for detailed selection, or visit our website.

www.usaire.com

FEATURES:

- Material: Steel
- 360° Radial Air Pattern
- Flat Single Panel Face
- Optional BDS Damper Below
- Optional Pattern Deflection Baffles
- White Finish

MODEL 4750-6

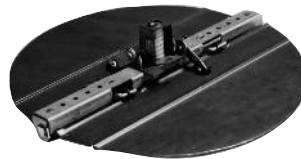


MODEL 4750-6		UNI-FLO	LIST PRICES	
NECK DIA.	CFM	FACE	PRICE	
6"	200	24 x 24	\$82	
8"	275	24 x 24	\$82	
10"	350	24 x 24	\$82	
12"	460	24 x 24	\$82	
14"	600	24 x 24	\$82	
6"	200	12 x 12	\$62	
8"	275	12 x 12	\$62	

MODEL BDS ROUND DAMPER LIST PRICES

SIZE DIA.	PRICE
6", 8", 10"	\$26
12", 14"	\$32
16"	\$72

MODEL BDS



FEATURES:

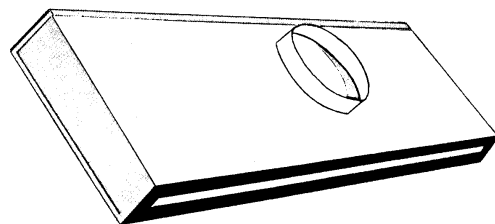
- Material: Steel
- Fits All Round Neck Diffusers and Returns
- Butterfly Opposed Blade

Note: CFMs listed with air devices are suggested capacities for normally configured commercial duct systems. Generally these were selections at approximately NC30. Call for engineering catalogs for detailed selection, or visit our website.

FEATURES:

- Material: 26 Ga. Galvanized
- 1/2" Matte Face Internally Insulated
- Fully Adjustable Extruded Aluminum Pattern Controller
- White Center Tee
- Flat Black Face and Pattern Controller

MODEL PHPSI-6



MODEL PHPSI-6		LIST PRICES		
SIZE	INLET DIA.	MAX CFM	PRICE	
24" L x 2 Slot	6"	135	\$106	
24" L x 2 Slot	8"	135	\$106	
48" L x 2 Slot	6"	150	\$150	
48" L x 2 Slot	8"	275	\$150	
48" L x 2 Slot	10"	275	\$150	
48" L x 2 Slot	12"*	375	\$150	

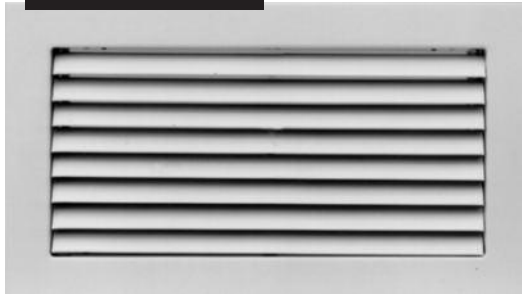
PLASTER FRAME FOR SURFACE MOUNTING

	LIST PRICES
24" x 2 Slot Frame Only	\$40
48" x 2 Slot Frame Only	\$80
48" x 2 Slot* Frame Only	\$80

*-1-1/2" Wide Slot—All others 1" wide.

www.usaire.com

MODEL RH-6



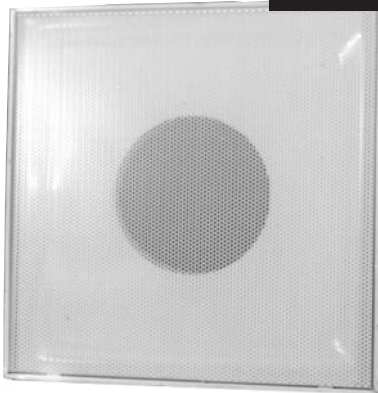
FEATURES:

- Material: Roll-Formed Aluminum Blade
- 45° Fixed Horizontal Deflection
- Register Includes Opposed Blade Damper
- White Finish

Note: CFMs listed with air devices are suggested capacities for normally configured commercial duct systems. Generally these were selections at approximately NC30. Call for engineering catalogs for detailed selection, or visit our website.

MODEL RH-6				LIST PRICES
NECK	CFM	FACE	GRILLE	REGISTER
22 x 10	600	24 x 12	\$61	\$96
22 x 22	2000	24 x 24	\$90	\$174
46 x 22	4500	48 x 24	\$236	\$396
10 x 10	400	12 x 12	\$34	—

MODEL 7500R



7500R & 7550R-6

FEATURES:

- Material: Steel
- Perforated Face
- Optional BDS Damper See Page 4
- White Finish Inside & Outside

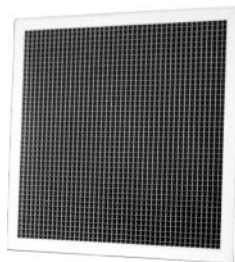
MODEL 7500 R-6 PERFORATED LIST PRICES

NECK DIA.	CFM	FACE	PRICE
6"	115	24 x 24	\$64
8"	210	24 x 24	\$64
10"	325	24 x 24	\$64
12"	470	24 x 24	\$64
14"	640	24 x 24	\$64
16"	835	24 x 24	\$64
18"	1045	24 x 24	\$78

MODEL 7550R-6 PERFORATED LIST PRICES

NECK	CFM	FACE	PRICE
10 x 10	300	12 x 12	\$44
22 x 10	1000	24 x 12	\$48
22 x 22	2000	24 x 24	\$56

MODEL CC5-6



CC5-TB FEATURES:

- Material: Aluminum
- 1/2" x 1/2" x 1/2" Core
- Register Includes Opposed Blade Damper
- White Finish

MODEL CC5-6 EGG CRATE LIST PRICES

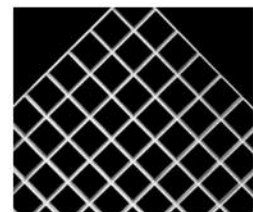
NECK	CFM	FACE	GRILLE	REGISTER
22 x 10	1200	24 x 12	\$64	—
22 x 22	2500	24 x 24	\$93	\$166
46 x 22	5000	48 x 24	\$196	\$348
10 x 10	500	12 x 12	\$38	—

PLASTIC EGGCRATE LIST PRICE

SIZE	CFM	PRICE
24 x 24	2500	\$24
48 x 24	5000	\$41

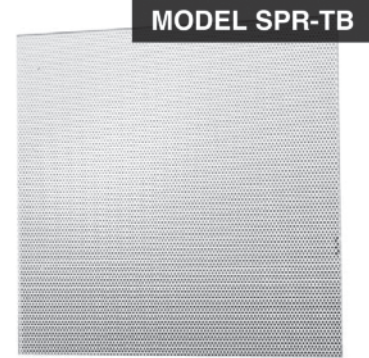
FEATURES:

- Material: White Styrene
- For Lay-In T-Bar Ceilings
- 1/2" x 1/2" x 3/8" Deep



MODEL SPR-TB		LIST PRICE	
SIZE	CFM	PRICE	
24 x 24 Perforated Screen Only	2125	\$34	

- FEATURES:**
- Material: Steel
 - T-Bar Lay-in
 - White Finish



Note: CFMs listed with air devices are suggested capacities for normally configured commercial duct systems. Generally these were selections at approximately NC30. Call for engineering catalogs for detailed selection, or visit our website.

MODEL RHF-6 FILTER GRILLE LIST PRICES			
FACE	NECK	CFM	PRICE
24 x 24	22 x 22	2000	\$164
24 x 24	20 x 20*	1500	\$184
48 x 24	46 x 22	4500	\$402

T-Bar Lay-in *Filter Size Filters not included



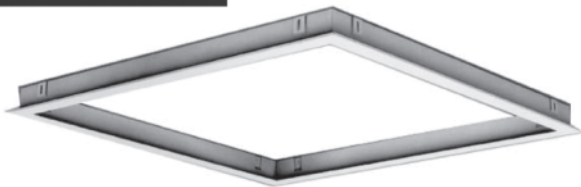
- FEATURES:**
- Material: Roll Formed Aluminum
 - Hinged Face
 - White Finish

MODEL RHF-1 FILTER GRILLE LIST PRICES			
FACE	NECK	CFM	PRICE
14 x 14	12 x 12	550	\$68
20 x 20	18 x 18	1275	\$116
22 x 22	20 x 20	1500	\$136
26 x 12	24 x 12	1150	\$122
26 x 26	24 x 24	2000	\$190

Surface Mounted - Grille Size Filters not included

MODEL STBPF T-BAR PLASTER FRAME LIST PRICES	
SIZE	PRICE
12 x 12	\$30
24 x 12	\$41
24 x 24	\$52
48 x 24	\$86

MODEL STBPF



- FEATURES:**
- Material: Steel
 - Permits T-Bar Lay-in Devices to be Installed in Drywall or Plaster Ceilings (and Allows Access)
 - White Finish

MODEL 3100S-A-2



- FEATURES:**
- Material: Steel
 - Dropped Outer Cone
 - Adjustable Discharge- Horizontal to Vertical
 - Removable Core
 - White Finish
 - Optional BDS Damper on Page 4.

MODEL 3100S-A-2 ROUND DIFFUSER			
NECK	OVERALL	CFM	PRICE
6 DIA	16-1/8 DIA	200	\$132
8 DIA	16-1/8 DIA	315	\$160
10 DIA	21-7/8 DIA	450	\$186
12 DIA	21-7/8 DIA	600	\$220
14 DIA	28-3/4 DIA	700	\$270

Actual Diffuser Neck is 1/4" Undersized

Note: CFMs listed with air devices are suggested capacities for normally configured commercial duct systems. Generally these were selections at approximately NC30. Call for engineering catalogs for detailed selection, or visit our website.

MODEL 5500S-2



* Rough-in opening is 1 inch larger than neck size.

FEATURES:

- Material: Steel
- Anti-Smudge Beveled Frame - Surface Mount
- Opposed Blade Damper Mounted
- Removable Core
- 1,2,3,4 Way Blow Available; Except 4 Way Blow Only 15 x 15 and 18 x 18
- White Finish

MODEL 5500S-2 WITH DAMPER			LIST PRICES
NECK*	FACE	CFM	LIST PRICE
6 x 6	11 x 11	150	\$76
9 x 9	14 x 14	350	\$92
12 x 12	17 x 17	550	\$122
15 x 15	20 x 20	800	\$164
18 x 18	23 x 23	1125	\$210

MODEL LS 3D



LS 3D & LS 4D FEATURES:

- Material: Aluminum
- Opposed Blade Damper Mounted
- 3 and 4 Way Adjustable Curved Blades
- White Finish
- Surface Mount

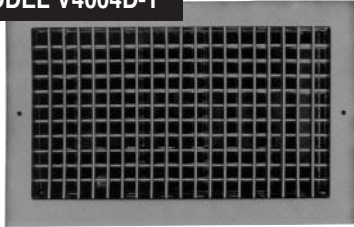
MODEL LS 4D



MODEL L SERIES CURVED BLADE CEILING REGISTERS					LIST PRICES
NECK	FACE	CFM	LS3D	LS4D	
6 x 6	8 x 8	50	\$62	\$62	
8 x 8	10 x 10	100	\$70	\$70	
10 x 10	12 x 12	200	\$82	\$82	
12 x 12	14 x 14	300	\$98	\$98	
14 x 14	16 x 16	350	\$116	\$116	

www.usaire.com

MODEL V4004D-1

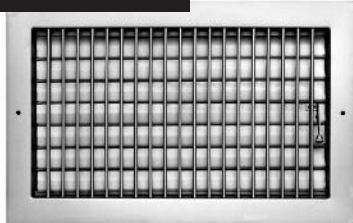


MODEL V4004D-1 (Commercial) Registers

FEATURES:

- Material: All Aluminum Roll Formed Blades; Extruded Gasketed Frames
- Adjustable, Double Deflection; Vertical Front Blades, Horizontal Back Blade
- Opposed Blade Damper Attached
- White Finish

MODEL VM-1



MODEL VM-1 (Residential) Registers

FEATURES:

- Material: All Aluminum Roll Formed Blades; One piece Stamped or Extruded Gasketed Frames
- Adjustable, Double Deflection; Vertical Front Blades
- Horizontal Multi-shutter Damper Attached
- White Finish

LIST PRICES				LIST PRICES		
NECK SIZE	CFM	MODEL V4004D-1	MODEL VM-1	NECK SIZE	CFM	MODEL V4004D-1
6 x 4	100	\$54	\$30	30 x 8	1200	\$146
8 x 4	150	\$54	\$26	36 x 8	1400	\$178
—	—	—	—	10 x 10	500	\$70
10 x 4	200	\$56	\$29	12 x 10	625	\$75
—	—	—	—	14 x 10	725	\$82
12 x 4	250	\$66	\$29	16 x 10	825	\$92
—	—	—	—	18 x 10	925	\$104
14 x 4	300	\$66	\$33	20 x 10	1050	\$108
—	—	—	—	24 x 10	1250	\$120
6 x 6	175	\$56	—	30 x 10	1650	\$160
8 x 6	250	\$56	\$29	36 x 10	1750	\$196
10 x 6	300	\$62	\$29	12 x 12	750	\$82
12 x 6	400	\$66	\$33	14 x 12	875	\$92
14 x 6	425	\$70	\$33	16 x 12	1000	\$104
16 x 6	500	\$78	—	18 x 12	1125	\$108
18 x 6	600	\$82	—	20 x 12	1250	\$118
20 x 6	650	\$88	—	24 x 12	1500	\$138
24 x 6	750	\$104	—	30 x 12	1875	\$174
30 x 6	900	\$132	—	36 x 12	2100	\$218
36 x 6	1125	\$156	—	14 x 14	1000	\$106
8 x 8	300	\$66	—	16 x 14	1175	\$118
10 x 8	400	\$66	\$33	18 x 14	1300	\$126
12 x 8	500	\$70	\$37	20 x 14	1475	\$134
14 x 8	575	\$78	\$42	24 x 14	1600	\$156
16 x 8	700	\$82	—	36 x 14	2100	\$250
18 x 8	750	\$92	—			
20 x 8	825	\$96	—			
24 x 8	975	\$110	—			

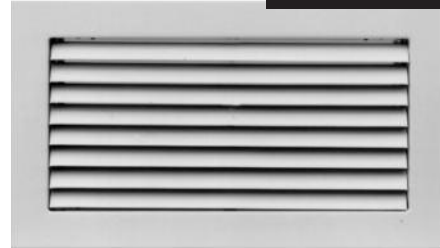
Note: CFMs listed with air devices are suggested capacities for normally configured commercial duct systems. Generally these were selections at approximately NC30. Call for engineering catalogs for detailed selection, or visit our website.

FEATURES:

- Material: All Aluminum Roll Formed Blades; One Piece Stamped or Extruded Frames
- Fixed Horizontal 45° Deflection Blades
- Register Includes Opposed Blade Damper Attached
- White Finish

Note: CFMs listed with air devices are suggested capacities for normally configured commercial duct systems. Generally these were selections at approximately NC30. Call for engineering catalogs for detailed selection, or visit our website.

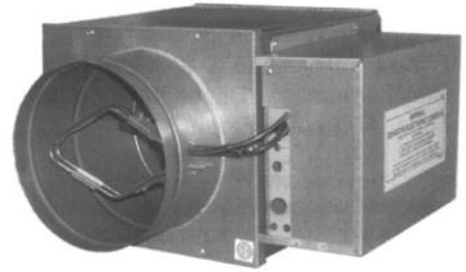
MODEL RH



MODEL RH		LIST PRICES				LIST PRICES	
NECK SIZE	CFM	RH GRILLE	RHD REGISTER	NECK SIZE	CFM	RH GRILLE	RHD REGISTER
6 x 4	50	\$24	\$44	14 x 12	650	\$46	\$78
8 x 4	100	\$24	\$44	16 x 12	750	\$50	\$88
10 x 4	150	\$24	\$44	18 x 12	850	\$60	\$96
12 x 4	175	\$24	\$48	20 x 12	950	\$64	\$104
14 x 4	200	\$28	\$52	24 x 12	1150	\$72	\$122
6 x 6	150	\$24	\$44	30 x 12	1425	\$86	\$144
8 x 6	175	\$24	\$44	36 x 12	1700	\$108	\$182
10 x 6	250	\$27	\$48	14 x 14	775	\$50	\$86
12 x 6	300	\$29	\$52	16 x 14	875	\$54	\$96
14 x 6	325	\$32	\$56	18 x 14	1000	\$60	\$100
16 x 6	350	\$36	\$65	20 x 14	1100	\$64	\$108
18 x 6	450	\$42	\$70	24 x 14	1325	\$78	\$130
20 x 6	475	\$46	\$74	30 x 14	1650	\$90	\$160
24 x 6	550	\$54	\$90	36 x 14	2000	\$122	\$204
30 x 6	400	\$64	\$108	16 x 16	1000	\$60	\$104
36 x 6	850	\$82	\$134	18 x 16	1150	\$64	\$112
8 x 8	250	\$27	\$52	20 x 16	1275	\$68	\$122
10 x 8	300	\$32	\$52	24 x 16	1500	\$82	\$142
12 x 8	375	\$32	\$56	30 x 16	1900	\$100	\$178
14 x 8	450	\$36	\$66	36 x 16	2275	\$132	—
16 x 8	500	\$42	\$70	18 x 18	1275	\$68	\$120
18 x 8	550	\$51	\$78	20 x 18	1425	\$72	\$130
20 x 8	650	\$51	\$84	24 x 18	1700	\$86	\$156
24 x 8	700	\$60	\$96	30 x 18	2125	\$108	\$194
30 x 8	950	\$68	\$118	36 x 18	2500	\$144	\$246
36 x 8	1150	\$90	\$152	20 x 20	1500	\$82	\$148
10 x 10	400	\$38	\$56	24 x 20	1900	\$96	\$170
12 x 10	475	\$38	\$60	30 x 20	2375	\$122	\$218
14 x 10	550	\$42	\$70	36 x 20	2850	\$154	\$264
16 x 10	600	\$46	\$78	24 x 24	2000	\$114	\$204
18 x 10	700	\$54	\$90	30 x 24	3000	\$144	\$264
20 x 10	800	\$54	\$90	36 x 24	3500	\$172	\$316
24 x 10	950	\$64	\$104	30 x 30	3500	\$180	\$334
30 x 10	1150	\$72	\$126	36 x 30	4500	\$216	\$410
36 x 10	1400	\$98	\$166	36 x 36	4625	\$290	—
12 x 12	550	\$42	\$70	48 x 24	4500	\$280	\$460

500TH SINGLE DUCT BOXES		BARE BOX	
MODEL	INLET DIA.	CFM	LIST PRICE
506TH	6"	0-600	\$347
508TH	8"	400-1000	\$377
510TH	10"	600-1600	\$419
512TH	12"	1200-2200	\$453
514TH	14"	1800-3300	\$555
516TH	16"	2000-4000	\$592

MODEL 500TH



Features:

- AHRI Standard 880 Certified Air Terminals
- Multi-Point Inlet Pick Up, Balancing Taps
- NEMA 1 Rated Control Enclosure
- Double 18 GA. Damper
- Welded and Beaded Inlet Connection Tube
- **ThermoPure** (non-fiberglass) Closed Cell Polyolefin Foam Insulation 1/2" thick.
- 22 GA. Galvanized Casing
- Control Panel Cover
- Bare Boxes ready for controls furnished by others

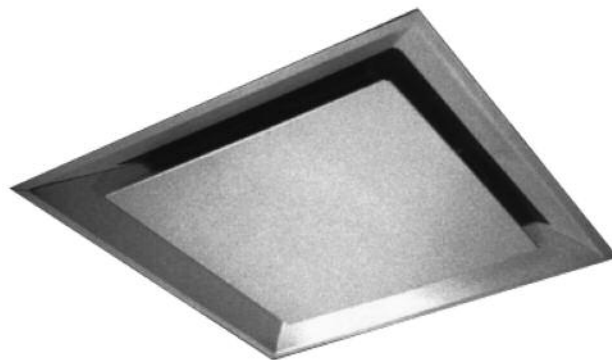
Model	w/115M PNEUMATIC	w/152A ELECTRIC	w/160A ELECTRONIC
506TH	\$1118	\$1064	\$1422
508TH	\$1144	\$1088	\$1446
510TH	\$1192	\$1140	\$1496
512TH	\$1220	\$1166	\$1524
514TH	\$1314	\$1260	\$1618
516TH	\$1346	\$1292	\$1650

MODEL	WIDTH	HEIGHT
506TH	12"	8"
508TH	12"	10"
510TH	14"	12 1/2"
512TH	16"	15"
514TH	20"	17 1/2"
516TH	24"	18"

Features:

- **Pneumatic (115M):** Pressure independent flow control and direct acting pneumatic actuator, N.O. (Shown Above)
- **Electric (152A):** Pressure dependent 24 V actuator 120V/24V transformer and room thermostat
- **Electronic (160A):** Pressure independent analog flow control and actuator 120V/24V transformer and room thermostat
- Other controls and reheat coils available from Metalaire. Call for price and availability

MSCVH-6 VAV DIFFUSERS



MODEL MSCVH™			
NK DIA	CFM	FACE	PRICE
6"	190	24" X 24"	\$1304
8"	330	24" X 24"	\$1304
10"	500	24" X 24"	\$1304
12"	700	24" X 24"	\$1304

Thermally Powered VAV Diffuser

FEATURES:

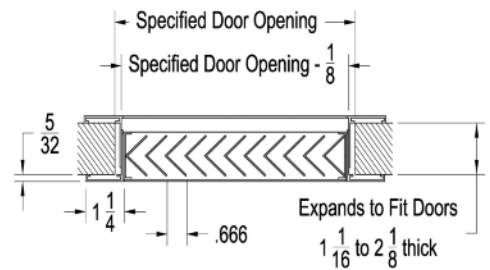
- Material: Steel, White Finish
- Thermally powered, self contained control
- VAV cooling and heating, adjustable setpoint
- Allows individual space temperature control
- Easily removeable face panel
- 4 way blow for T-Bar lay-in ceilings
- 10 year factory warranty

MODEL DGDF DOOR GRILLE

SIZE	CFM	PRICE
12 x 12	400	\$54
18 x 18	700	\$98
24 x 24	1200	\$164
30 x 30	1800	\$250

- EXTRUDED ALUM
- SIGHT PROOF
- 1" INVERTED V LOUVERS
- DOUBLE FLANGE
- WHITE FINISH

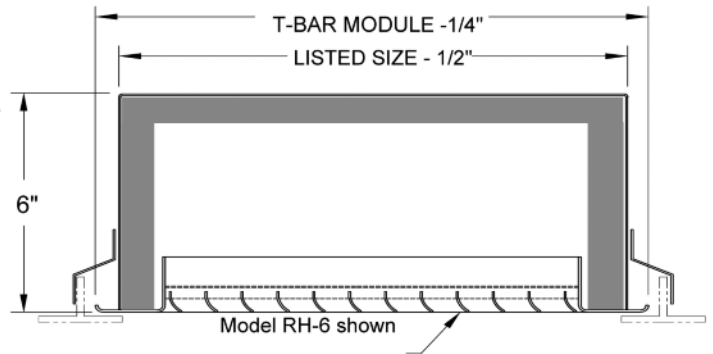
DGDF (Door / Transfer Grille - Double Flange Frame)



MODEL NDRH SOUND REDUCTION HOOD

SIZE	PRICE
22 x 22	\$118
fits t-bar model lay in return grilles RH-6, CC5-6, 7550R-6	

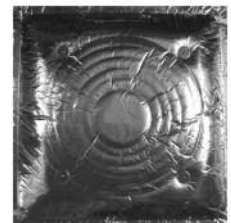
- 22 GA. GALV
- 1/2" FIBER INSULATION



MODEL FGBP FIBERGLASS BACKPAN

SIZE	PRICE
24 x 24	\$25

- FITS MODELS 4700,4750.
- 1/2" THICK MOLDED SHELL WITH ROUND NECK CUT OUTS.



MODEL 900 ROUND CEILING DIFFUSER 900D WITH DAMPER

SIZE	PRICE	DAMPER	SIZE	PRICE	DAMPER
6" Dia.	\$29	\$29	12" Dia.	\$46	\$37
8"	\$33	\$29	14"	\$54	\$66
10"	\$37	\$33	—	—	—

MODEL 900

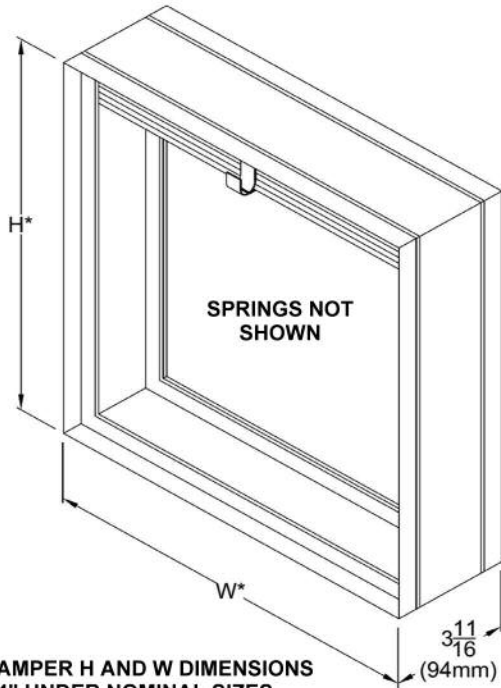
MODEL 900 D



FEATURES:

- Material: Aluminum
- White Finish (Damper: Mill Finish)

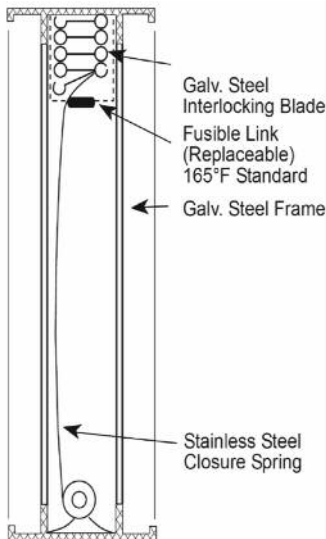
MODEL FDD-ALB



ACTUAL DAMPER H AND W DIMENSIONS ARE 1/4" UNDER NOMINAL SIZES

FEATURES:

- Curtain Fire Damper
- May be installed Horizontally or Vertically
- For use in Dynamic or Static HVAC Systems
- U.L. 555 Classified 1-1/2 HR Fire Damper
- 165° UL Listed Fusible Link
- All sizes are SS Spring Loaded



MODEL FDD ALB		LIST PRICES	
SIZE	PRICE	SIZE	PRICE
6 x 6	\$56	18 x 12	\$84
8 x 6	\$56	20 x 12	\$84
10 x 6	\$56	24 x 12	\$90
12 x 6	\$56	30 x 12	\$102
14 x 6	\$64	36 x 12	\$108
16 x 6	\$64	14 x 14	\$86
18 x 6	\$72	16 x 14	\$86
20 x 6	\$72	18 x 14	\$92
24 x 6	\$80	20 x 14	\$92
30 x 6	\$92	24 x 14	\$98
36 x 6	\$96	30 x 14	\$114
8 x 8	\$60	36 x 14	\$116
10 x 8	\$60	15 x 15	\$86
12 x 8	\$60	16 x 16	\$86
14 x 8	\$68	18 x 16	\$92
16 x 8	\$68	20 x 16	\$92
18 x 8	\$76	24 x 16	\$98
20 x 8	\$76	30 x 16	\$114
24 x 8	\$82	36 x 16	\$116
30 x 8	\$96	18 x 18	\$104
36 x 8	\$102	20 x 18	\$104
10 x 10	\$66	24 x 18	\$112
12 x 10	\$66	30 x 18	\$124
14 x 10	\$76	36 x 18	\$130
16 x 10	\$76	20 x 20	\$104
18 x 10	\$82	24 x 20	\$112
20 x 10	\$82	30 x 20	\$124
24 x 10	\$86	36 x 20	\$132
30 x 10	\$98	24 x 24	\$118
36 x 10	\$104	30 x 24	\$136
12 x 12	\$68	36 x 24	\$144
14 x 12	\$78	30 x 30	\$170
16 x 12	\$78	36 x 30	\$188

Models FDD-ALB and FDD-SC (Page 13) meet or comply with the following as a fire damper: All major building codes, including IBC/ICC International Code, UL 555 Listing 1-1/2 Hour - File #R25410, ULC S112 and NFPA 90A, 80. Maximum Ratings are 2,000 FPM Velocity and 4.0 Inches w.g.

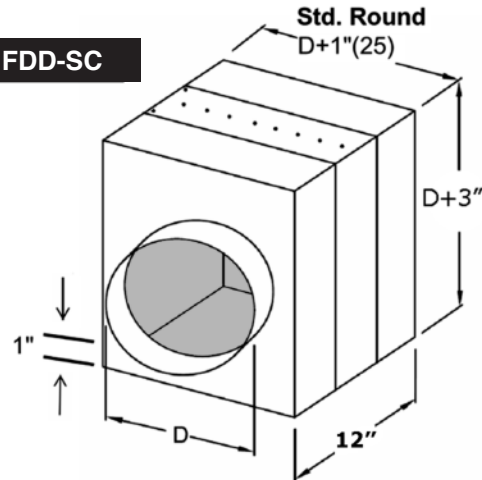
MODEL FDD-SC		LIST PRICES	
SIZE DIA.	PRICE	SIZE DIA.	PRICE
6"	\$134	12"	\$166
8"	\$145	14"	\$225
10"	\$161	—	—

FEATURES:

- Type C Curtain Fire Damper with Integral Sleeve for Round Duct
- May be installed Horizontally or Vertically
- For use in Dynamic or Static HVAC Systems
- U.L. 555 Classified 1-1/2 HR Fire Damper; 100% Free Area
- 165°F UL Listed Fusible Link
- Galvanized Steel with SS Closure Springs

See Codes and Ratings notes for this model on page 12.

MODEL FDD-SC



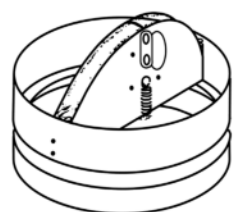
1-1/4" wide round collars each side are approx. 1/4" undersized

U.L. 555C CEILING RADIATION DAMPERS	
MODEL C-RD (Round)	MODEL C-S/R (Square)
SIZE	PRICE
6 DIA.	\$56
8 DIA.	\$62
10 DIA.	\$66
12 DIA.	\$80
14 DIA.	\$90
6 x 6	\$48
8 x 8	\$52
9 x 9	\$62
10 x 10	\$62
12 x 12	\$76
15 x 15	\$94
18 x 18	\$104
22 x 22	\$140

MODEL C-RD

FEATURES:

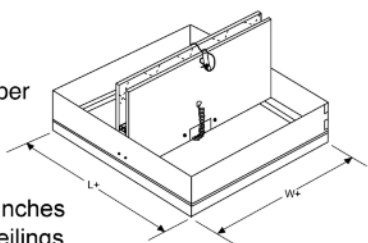
- U.L. 555C Round Ceiling Damper
- "Butterfly" Style Blade
- Galvanized Steel
- 212°F UL Link Standard
- Insulated Blades Over 10" Dia.
- Approved for 1-4 Hour Rated Ceilings



MODEL C-S/R

FEATURES:

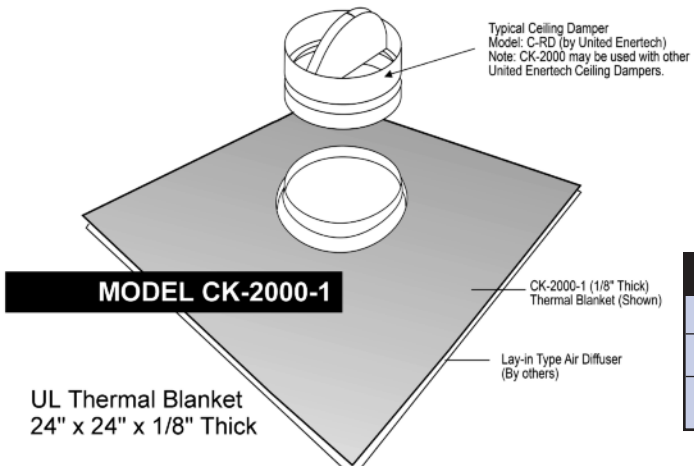
- U.L. 555C Square Ceiling Damper
- "Butterfly" Style Blade
- Galvanized Steel
- 212°F UL Link Standard
- Insulated Blades Over 80 Sq. Inches
- Approved for 1-4 Hour Rated Ceilings



Actual damper dimensions are 1/8" undersized

Models C-RD and C-S/R are designed and tested in accordance to standards: UL555C, ULC S112.2. Labeled and listed by UL/ULC under File #R25411. They meet all the NFPA-90A, IBC Code, and other major code requirements for Ceiling Radiation Dampers.

Please note there may be proprietary U.L. ceiling assemblies that may require a specific manufacturer and model be used.



ACCESSORIES	LIST PRICES
FUSIBLE LINKS 165°F	\$10
FUSIBLE LINKS 212°F	\$10
CK-2000-1 BLANKET	\$50



Zephyr ceiling and inline fans are designed and constructed to create a quiet and reliable product. Each unit is fully assembled and tested prior to shipment. Extensive combinations of wheel sizes and speeds enable the Zephyr to cover a wide range of CFM.

mounted on vibration isolators, and for all but the smallest Zephyr--Z3H, dual inlet blowers.

High Static Pressures

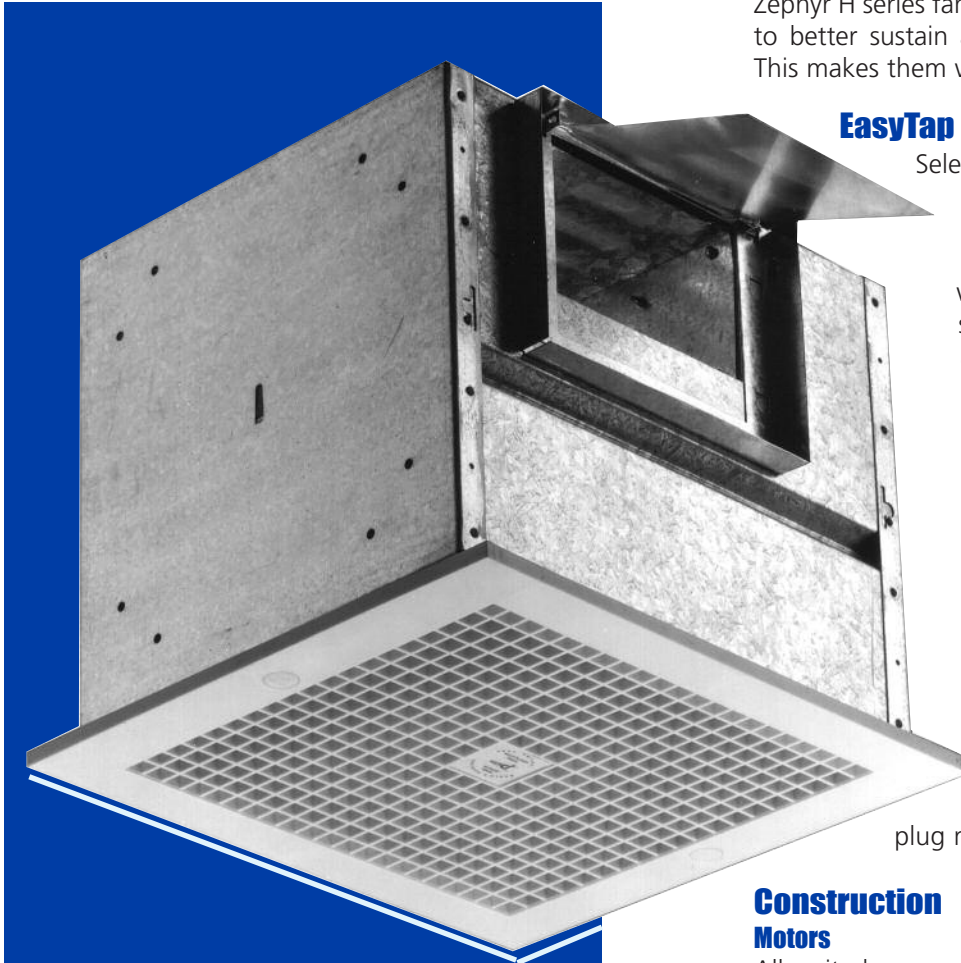
When higher static pressures are encountered, the Zephyr H series fans excel. Faster RPM allow these fans to better sustain airflow as static pressure increases. This makes them well suited for inline applications.

EasyTap Speed Selection

Selected Zephyrs are provided with dual speed motors designed to run at nominal speeds of 1050 and 1550 RPM. By simply changing one wire tap, a fan's speed can be switched. This ability to alter speed and air flow allows on the spot adjustments to deal with unforeseen circumstances. Systems deficiencies can be accommodated in the field quickly and without the added cost of replacing a fan.

Quick Access Wiring

Wiring the Zephyr is quick and easy. Access to the motor leads is through a panel in the side of the unit; there is no need to remove the power pack. However, if the need to remove the power pack ever arises, a quick connect plug makes the process simple and easy.



Complete Range Of Performance

Penn provides the most ceiling fan options of any manufacturer. With 17 different models spaced evenly across the CFM and static pressure spectrums, there is a Zephyr to meet each of your requirements.

Infinite Speed Adjustment

Zephyr performance can be precisely adjusted with the use of a Lek-Trol speed control. Mounted either on the unit or remotely, Lek-Trols can be used to accommodate variable ventilation needs.

Low Sound

For sound critical applications, the Zephyr S series delivers the lowest sound ratings in the industry. All Zephyrs feature acoustically insulated housings, custom designed blower and motor pairings, motors

Construction

Motors

All units have permanently lubricated motors manufactured to Penn's exacting specifications. Motors feature built in overload protection and plug in disconnects.

Grilles

Constructed of attractive molded white plastic, aerodynamically designed grilles feature an 85% free area. To make for easy removal and cleaning, the grilles are held in place with quick attach springs. An optional metal face grille with a white finish is available. Screws are also available for high security applications.

Wheels

Wheels are dynamically balanced and performance matched with the motor. On models Z5H and larger dual inlet blowers are employed to minimize sound levels.

Housings

Housings are fabricated of galvanized steel. Acoustical insulation is used to minimize sound.

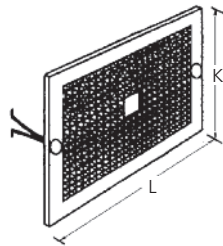


RA/TDA ZEPHYRS
DIMENSIONAL INFORMATION

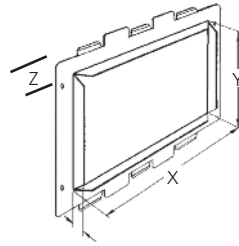
MODEL	HOUSING							OUTLET DUCT			RA MODEL GRILLE		TDA PANEL		
	A	B	C	D	E	E'	F	G	H	J	K	L	X	Y	Z
Z3,5,6	12 ¹ / ₂	9 ¹ / ₈	16	9 ¹ / ₈	1 ¹ / ₄	1 ¹ / ₄	5 ³ / ₈	10	3 ¹ / ₄	3/4	11	13 ³ / ₄	10	6	1 ⁵ / ₈
Z8,81	13 ⁷ / ₈	11 ³ / ₈	17 ³ / ₈	11 ³ / ₈	1 ⁷ / ₈	4	5 ¹ / ₄	8	6	3/4	13 ¹ / ₄	14 ⁷ / ₈	10	8	1 ⁹ / ₁₆
Z10	18	14 ¹ / ₈	21 ¹ / ₂	14 ¹ / ₈	3 ⁵ / ₈	6 ³ / ₈	8	8	6	3/4	15 ¹ / ₂	19 ³ / ₈	14	10	2
Z12,101, Z102,121	24	14 ¹ / ₈	27 ¹ / ₂	14 ¹ / ₈	1	1	8	22	6	3/4	15 ¹ / ₂	25	20	10	2

ALL DIMENSIONS IN INCHES

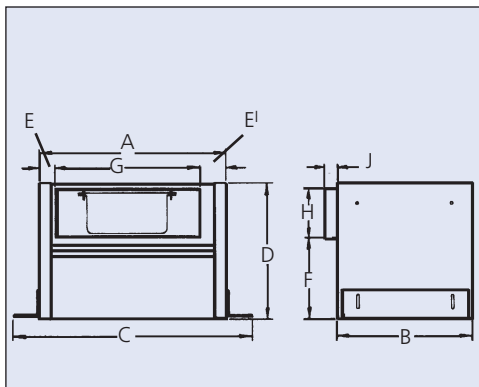
GRILLE
RA Model



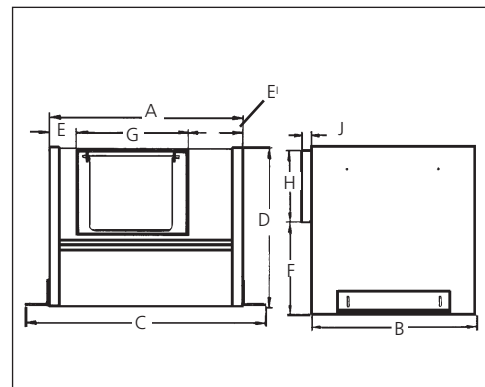
TDA PANEL
TDA Model



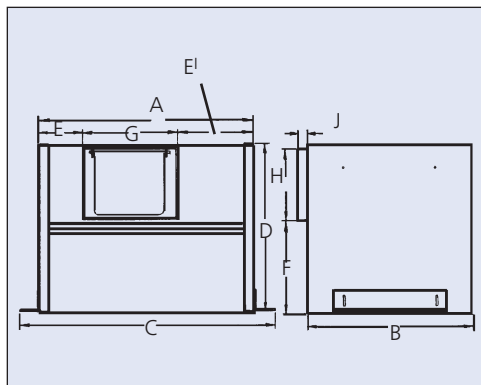
Z3, Z5, Z6



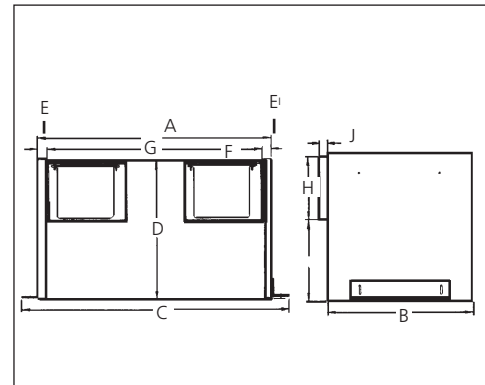
Z8, Z81



Z10



Z101, Z102, Z12, Z121



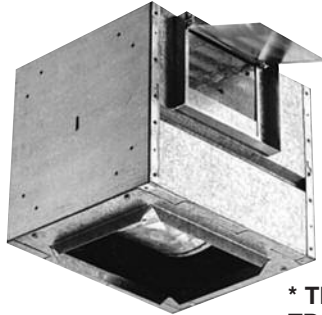


www.pennbarry.com

**TDA/TDA-RA ZEPHYRS
INLINE MODELS**

Extensive Capacity Range

Ultra Quiet Operation



Quality Construction Throughout

Adjustable Air Flow

All Models 120/1/60

* TDA-RA pictured above easily converted from Stock TDA in line model.

PERFORMANCE DATA

ZEPHYR ² MODEL NO.	MAX. WATT	AMPS	RPM	FAN CAPACITY - CUBIC FEET PER MINUTE											
				SP	0.000"	0.125"	0.250"	0.375"	0.500"	0.625"	0.750"	1.000"	1.250"	1.500"	
Z3H TDA	42	0.5	1550	CFM	107	81									
				SONES ¹	1.7	1.9									
Z5H TDA	83	1.0	1550	CFM	199	171	143	104							
				SONES ¹	1.9	2.0	2.1	2.1							
Z6S ³ TDA	46	0.6	1050	CFM	127	93	66								
				SONES ¹	0.9	1.2	1.6								
Z6H ³ TDA	108	1.4	1550	CFM	227	192	157	113							
				SONES ¹	2.7	2.7	2.8	2.9							
Z8S ⁴ TDA	75	1.0	1050	CFM	255	228	208	190	165	139	110				
				SONES ¹	1.8	1.9	2.4	2.8	3.3	3.6	3.7				
Z81S TDA	84	0.9	1050	CFM	307	274	252	228	198	152	95				
				SONES ¹	2.2	2.2	2.5	2.9	3.1	3.3	3.5				
Z8H ⁴ TDA	132	1.6	1550	CFM	402	376	350	335	318	301	277				
				SONES ¹	4.1	3.9	3.9	4.2	4.4	4.6	4.9				
Z10S ⁷ TDA	234	2.5	1050	CFM	456	423	391	367	350	337	320	268	128		
				SONES ¹	4.1	4.5	4.7	4.9	5.2	5.4	5.7	6.2	6.4		
Z101S TDA	152	1.6	1050	CFM	609	521	438	373	272	130					
				SONES ¹	3.2	3.4	4.3	4.6	5.2	5.6					
Z10H ⁵ TDA	372	3.6	1550	CFM	700	661	626	593	558	528	504	455	368		
				SONES ¹	8.0	8.0	7.9	7.9	8.0	8.2	8.1	8.0	7.8		
Z102S TDA	273	3.2	1050	CFM	780	720	660	592	336	OBSELETE					
Z12S TDA	263	2.9	1050	CFM	886	829	786	735	660	526	180				
				SONES ¹	5.5	5.7	5.6	5.8	5.7	5.3	4.7				
Z121S TDA	344	3.6	1050	CFM	1089	1043	981	899	802	672	404				
				SONES ¹	6.5	6.5	6.3	6.0	5.7	5.3	4.4				
Z102H TDA	810 (BHP 0.53)	7.5	1550	CFM	1397	1348	1301	1253	1206	1162	1121	1034	916	611	
				SONES ¹	10.7	10.5	10.7	10.6	10.4	10.1	9.9	9.6	9.4	9.0	
Z12H TDA	855 (BHP 0.65)	7.9	1550	CFM	1519	1475	1430	1386	1343	1300	1254	1146	1017	697	
				SONES ¹	12.7	12.4	12.2	11.7	11.5	11.2	10.9	10.5	10.2	9.6	

¹ Performance shown is for Zephyr units with inlet and outlet ducts. The sound ratings shown are loudness values in fan sones at 5ft. (1.5m) from the test inlet duct in a hemispherical free field calculated per AMCA Standard 301. Values shown are for installations Type D: ducted inlet ducted outlet. Ratings do not include the effect of duct end correction.

² Specify discharge configuration. Standard types are TDA and TDA-RA.

³ Z6S and Z6H is the same unit shipped with EASYTAP dual speed motor. Wired on S (low) speed.

⁴ Z8S and Z8H is the same unit shipped with EASYTAP dual speed motor. Wired on S (low) speed.

⁵ Z10S and Z10H is the same unit shipped with EASYTAP dual speed motor. Wired on S (low) speed.

LIST PRICES

MODEL	PRICE	MODEL	PRICE
Z3H-TDA	\$400	Z121S-TDA	\$1370
Z5H-TDA	\$430	Z12H-TDA	\$1510
Z6S/H-TDA	\$460	Z101S-TDA	\$784
Z8S/H-TDA	\$580	Z102S-TDA	\$1002
Z81S-TDA	\$586	Z12S-TDA	\$1370
Z10S/H-TDA	\$648	Z102H-TDA	\$1446

**DIMENSIONS ON PAGE 15 ACCESSORIES ON PAGES 19 & 20
SPEED SWITCHES ON PAGE 17**



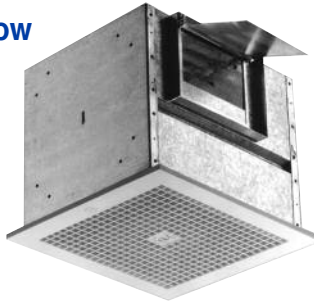
www.pennbarry.com

RA/TD ZEPHYRS
CEILING MOUNTED MODELS WITH GRILLES

Adjustable Air Flow

Low Sound Level

All Models 120/1/60



Decorator Deluxe Grille is Standard

Economical – Excellent Value

Easy to Install and Maintain

* RA (Right Angle) Model pictured above. Converts to TD (Top Discharge) Model by simply changing access panel location. No need to remove fan/motor.

PERFORMANCE DATA

ZEPHYR ³ MODEL NO.	MAX. WATT	AMPS	RPM ¹	FAN CAPACITY - CUBIC FEET PER MINUTE								
				SP	0.000"	0.125"	0.250"	0.375"	0.500"	0.625"	0.750"	
Z3H RA	39	0.5	1550	CFM	109	83						
				SONES ²	1.7	2.3						
Z5H RA	79	1.0	1550	CFM	192	163	128	93				
				SONES ²	2.5	2.7	2.8	2.8				
Z6S ⁴ RA	47	0.6	1050	CFM	123	101	82					
				SONES ²	0.9	1.4	1.8					
Z6H ⁴ RA	108	1.4	1550	CFM	230	196	166	122				
				SONES ²	3.3	3.0	3.0	3.1				
Z8S ⁵ RA	77	1.0	1050	CFM	272	247	231	217	199			
				SONES ²	2.1	2.4	2.9	3.3	3.6			
Z81S RA	77	0.9	1050	CFM	310	273	239	213	182	136	73	
				SONES ²	2.5	2.7	2.9	3.3	3.7	4.2	4.3	
Z8H ⁵ RA	130	1.6	1550	CFM	426	401	377	357	341	328	304	
				SONES ²	4.5	4.7	4.7	5.1	5.6	5.8	5.8	
Z10S ⁶ RA	243	2.5	1050	CFM	469	441	423	403	387	367	347	
				SONES ²	4.5	4.8	5.1	5.4	5.6	5.8	6.0	
Z101S RA	153	1.6	1050	CFM	611	537	467	405	222	116		
				SONES ²	3.9	3.6	3.9	4.6	5.5	6.0		
Z10H ⁶ RA	390	3.6	1550	CFM	728	694	664	638	613	591	565	
				SONES ²	8.6	8.6	8.6	8.7	8.6	8.8	8.8	
Z102S RA	269	4.5	1050	CFM	816	747	691	602	335			
				SONES ²	5.8	5.8	5.4	5.0	4.9			
Z12S RA	260	2.9	1050	CFM	901	855	812	755	683	552		
				SONES ²	5.8	5.9	6.3	6.5	6.5	6.0		
Z121S RA	370	3.6	1050	CFM	1083	1062	1024	949	838	686	270	
				SONES ²	7.0	6.9	6.6	6.1	5.7	5.3	4.6	
Z102H RA	812 (BHP 0.53)	7.5	1550	CFM	1435	1385	1338	1294	1247	1203	1163	
				SONES ²	11.8	11.7	11.9	11.9	11.7	11.3	11.0	
Z12H RA	851 (BHP 0.65)	7.9	1550	CFM	1565	1511	1464	1417	1364	1307	1251	
				SONES ²	13.5	13.3	12.9	12.7	12.3	12.0	11.7	

¹ RPM shown is nominal and the performance is based on actual speed of test.

² Performance shown is for Zephyr units with outlet duct, inlet grille and backdraft damper.

The sound ratings shown are loudness values in fan sones at 5ft. (1.5m) in a hemispherical free field calculated per AMCA Standard 301. Values shown are for installations Type B: free inlet ducted outlet fan sone levels.

³ Specify discharge configuration. Standard types are RA and TD.

⁴ Z6S and Z6H is the same unit shipped with EASYTAP dual speed motor. Wired on S (low) speed.

⁵ Z8S and Z8H is the same unit shipped with EASYTAP dual speed motor. Wired on S (low) speed.

⁶ Z10S and Z10H is the same unit shipped with EASYTAP dual speed motor. Wired on S (low) speed.

~~OBSELETE~~

LIST PRICES			
MODEL	PRICE	MODEL	PRICE
Z3H-RA	\$348	Z121S-RA	\$1316
Z5H-RA	\$380	Z12H-RA	\$1450
Z6S/H-RA	\$410	Z101S-RA	\$730
Z8S/H-RA	\$530	Z102S-RA	\$950
Z81S-RA	\$534	Z12S-RA	\$1314
Z10S/H-RA	\$594	Z102H-RA	\$1392

MODEL	SPEED SWITCH No	PRICE
Z3, 5, 6H, 8, 81, 101	LT30	\$76
Z10, 102S, 12S, 121S	LT50	\$90
Z102H, 12H	LT40	\$250

DIMENSIONS ON PAGE 15
ACCESSORIES ON PAGES 19 & 20



Quiet Design with Insulated Housing

Install Easily in Confined Spaces

Performance Range to 3290 CFM

Optional Grille Available

Versatile Discharge Directions

Easy Access Panel



PERFORMANCE DATA

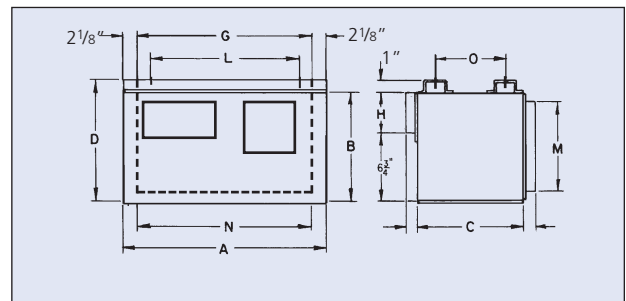
ZEPHYR MODEL NO.	RPM	INLET AREA	OUTLET AREA	WHEEL SIZE		FAN CAPACITY - CUBIC FEET PER MINUTE										
				DIA.	CIRCUM.	SP	0.100"	0.125"	0.250"	0.375"	0.500"	0.625"	0.750"	0.875"	1.00"	
Z14 115/1/60 1/2 HP	1150	3.125 SQ.FT.	1.816 SQ.FT.	8 INCHES	2.09 FEET	CFM	2200	2195	2050	1870	1685	1425	880	285		
						SONES	7.9	7.9	7.6	7.1	6.8	6.7	6.6	6.4		
						BHP	.56	.56	.54	.49	.45	.39	.26	.15		
	1060	3.125 SQ.FT.	1.816 SQ.FT.	8 INCHES	2.09 FEET	CFM	2025	2015	1835	1645	1400	880				
						SONES	7.2	7.2	6.9	6.4	6.3	6.0				
						BHP	.44	.43	.40	.36	.33	.22				
	980	3.125 SQ.FT.	1.816 SQ.FT.	8 INCHES	2.09 FEET	CFM	1865	1845	1630	1410	1015	280				
						SONES	6.6	6.6	6.2	5.8	5.7	5.3				
						BHP	.34	.34	.31	.28	.20	.10				
	880	3.125 SQ.FT.	1.816 SQ.FT.	8 INCHES	2.09 FEET	CFM	1660	1605	1375	1055	255					
						SONES	5.8	5.8	5.4	4.8	4.6					
						BHP	.25	.24	.21	.17	.07					
Z15 230/1/60 1 HP	1030	4.38 SQ.FT.	2.739 SQ.FT.	9 INCHES	2.36 FEET	CFM	3290	3260	3100	2920	2720	2510	2260	1930	1140	
						SONES	9.5	9.5	9.4	9.0	8.7	8.6	8.3	8.2	8.1	
						BHP	1.10	1.10	1.05	1.0	.96	.91	.85	.75	.52	
	1000	4.38 SQ.FT.	2.739 SQ.FT.	9 INCHES	2.36 FEET	CFM	3185	3155	2990	2800	2590	2365	2085	1625		
						SONES	9.4	9.4	9.2	8.7	8.4	8.3	8.0	7.7		
						BHP	1.0	1.0	.95	.91	.86	.81	.73	.61		
	950	4.38 SQ.FT.	2.739 SQ.FT.	9 INCHES	2.36 FEET	CFM	3015	2980	2805	2600	2375	2115	1755			
						SONES	8.8	8.8	8.6	8.2	7.8	7.6	7.4			
						BHP	.86	.85	.81	.77	.72	.66	.56			
	880	4.38 SQ.FT.	2.739 SQ.FT.	9 INCHES	2.36 FEET	CFM	2775	2735	2535	2305	2045	1715				
						SONES	8.0	7.9	7.8	7.4	7.1	6.9				
						BHP	.68	.67	.63	.59	.54	.46				

Top RPM shown is nominal. Performance is based on actual speed of test. Other speeds listed are obtainable by using Lek-Trol model LT40 on Z14, LT35 on Z15. Some ratings are in accordance with AMCA Bulletin 301-90. Performances shown include outlet ducts in place for Z14 and Z15. The AMCA Certified Ratings Seal applies to air capacities only.

DIMENSIONAL DATA

MODEL	A	B	C	D	L	O	OUTLET		INLET	
							G	H	M	N
Z14	38	14 1/2	14 1/2	15 1/2	30 1/2	7 5/8	33 3/4	7 3/4	12 1/2	36
Z15	45 1/2	16 1/2	16 1/2	17 1/2	34 1/2	10	41 1/4	9 3/4	14 1/2	43 1/2

ALL DIMENSIONS IN INCHES



LIST PRICES

MODEL	FAN	SPEED SWITCH
Z14	\$1940	\$250 (LT40)
Z15	\$2996	\$140 (LT35)

ACCESSORIES ON PAGES 19 & 20



LIST PRICES

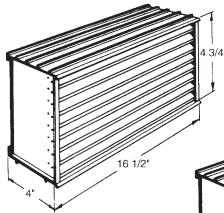
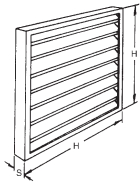
MODEL	ROOF CAPS						WALL CAP	PRICE	BRICK VENT	PRICE	SWITCHES			
	FLAT	PRICE	SLOPE	PRICE	CURB MNT.	PRICE					SPD. CNTRL.	PRICE	TIME DELAY	PRICE
Z3H	WCF-06	\$226	SL20	\$136	WCC-06	\$226	WC10	\$98	BVE164	\$174	LT30	\$76	AM12	\$490
Z5H	WCF-06	\$226	SL20	\$136	WCC-06	\$226	WC10	\$98	BVE164	\$174	LT30	\$76	AM12	\$490
Z6S/H	WCF-06	\$226	SL20	\$136	WCC-06	\$226	WC10	\$98	BVE164	\$174	LT30	\$76	AM12	\$490
Z8S/H	WCF-08	\$258	SL20	\$136	WCC-08	\$258	WC10	\$98	BVE164	\$174	LT30	\$76	AM12	\$490
Z81S	WCF-08	\$258	SL20	\$136	WCC-08	\$258	WC10	\$98	BVE164	\$174	LT30	\$76	AM12	\$490
Z10S/H	WCF-08	\$258	SL20	\$136	WCC-08	\$258	SL20	\$136	BVE168	\$212	LT50	\$90	AM12	\$490
Z101S	WCF-10	\$308	WCF-10	\$308	WCC-10	\$326	-	-	-	-	LT30	\$76	AM12	\$490
Z102S	WCF-10	\$308	WCF-10	\$308	WCC-10	\$326	-	-	-	-	LT50	\$90	AM12	\$490
Z12S	WCF-12	\$356	WCF-12	\$356	WCC-12	\$334	-	-	-	-	LT50	\$90	AM12	\$490
Z121S	WCF-12	\$356	WCF-12	\$356	WCC-12	\$334	-	-	-	-	LT50	\$90	AM12	\$490
Z102H	WCF-14	\$566	WCF-14	\$566	WCC-14	\$460	-	-	-	-	LT40	\$250	AM12	\$490
Z12H	WCF-14	\$566	WCF-14	\$566	WCC-14	\$460	-	-	-	-	LT40	\$250	AM12	\$490
Z14	WCF-20	\$764	CF	CF	WCC-20	\$682	-	-	-	-	LT40	\$250	AM12	\$490
Z15	WCF-20	\$764	CF	CF	WCC-20	\$682	-	-	-	-	LT35	\$140	-	

1 See Page 53 for Roof Curbs

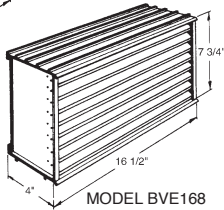
BRICK VENTS - LOUVERS

See Page 51

FOR	MODEL	H	S
Z101, Z12, Z121, Z102, Z14	FL-D-4	24	4



MODEL BVE164 FOR Z3, Z5, Z6 Z8, Z81

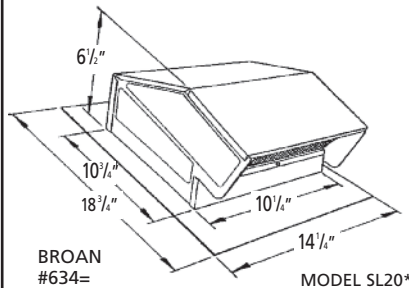


MODEL BVE168 FOR Z10

Sized to replace multiples of standard size brick or concrete block. Made of extruded aluminum with insect screens, stormproof features, they are superior vents and ideal for installation in masonry walls.

SLOPED ROOF CAPS

Can also be wall mounted



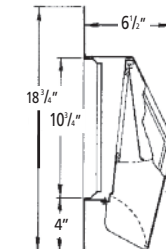
BROAN #634=

MODEL SL20*

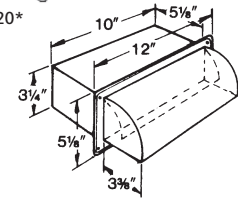
Caps are available for sloped roof applications. Minimum height model SL20 is durable and has an extra backdraft damper. Models WCF/WCC 10, 12, 14, 20 are suitable for mounting on sloped roof 4" in 12" pitch or less.

*Galvanized with black finish

WALL CAPS



MODEL SL20*



BROAN #649=

MODEL WC10 ALUMINUM

Inconspicuous but efficient wall outlets for the Zephyr fans are provided through the use of the Wall Cap. Architectural values are not diminished by this tastefully designed accessory and, when properly installed, it is both watertight and effective.

*Galvanized with black finish

LEK-TROL SPEED CONTROLLER

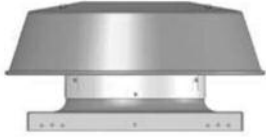
Lek-Trol Speed Controllers permit unlimited air control. They use solid state "quadrac" circuitry and insure not only complete speed range control and extra long life reliability but also a savings in the cost of electricity. Lek-Trols can be installed and connected within the fan casing, permitting precise system balancing. See page 23 for description of AM12.





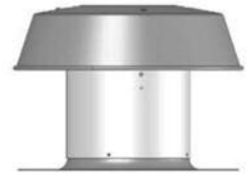
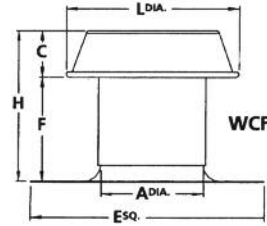
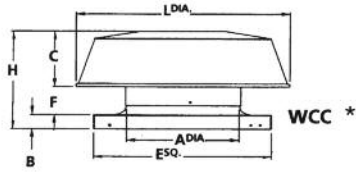
www.pennbarry.com

SEE PAGE 19 FOR PRICING



CURB TYPE BASE

Roof Curbs on Page 53

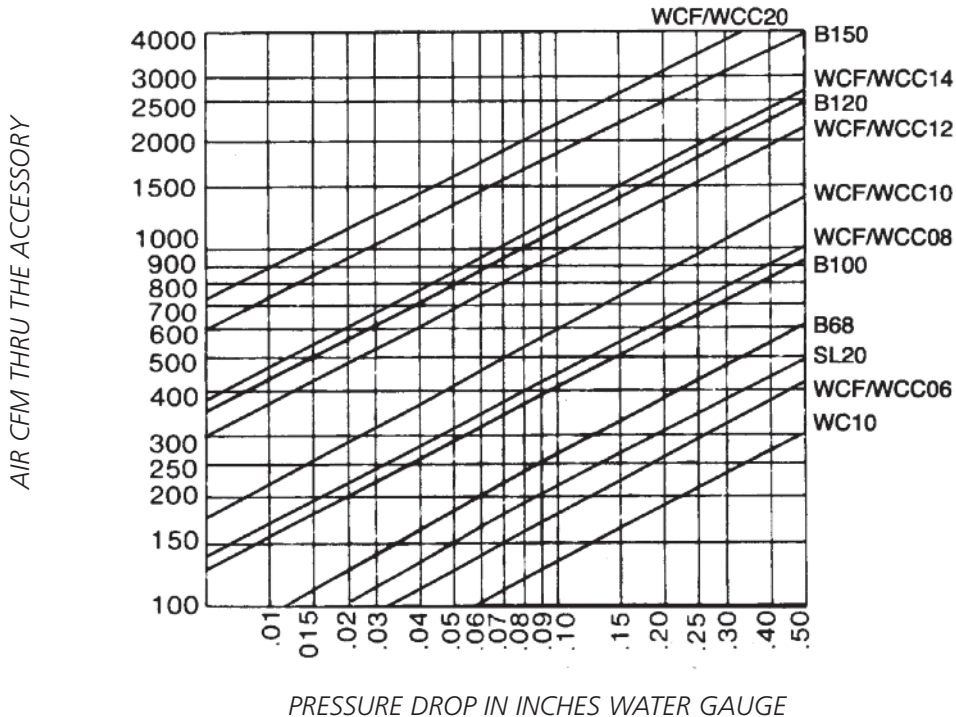


FLAT TYPE BASE

FOR USE WITH	MODEL	A (THROAT DIA)	B	C	E SQ	F	H	L-DIA	DAMPER SQ
Z1, ZL1, Z2, ZT ZJ1, Z3H, Z5H, Z6S/H	WCF06	7	N/A	3-1/2	16-7/8	8	11-1/2	12	N/A
Z8S/H, Z81S, Z10S/H	WCF08	9	N/A	5-1/2	21-1/4	8	13-1/2	18-1/2	N/A
Z101S, Z102S	WCF10	11	N/A	5-1/2	21-1/4	10	15-1/2	21	N/A
Z12S, Z121S	WCF12	13	N/A	7	24	10	17	25	N/A
Z102H, Z12H	WCF14	15	N/A	7	28	10	17	28	N/A
Z14, Z15	WCF20	21	N/A	10-1/2	32	12	22-1/2	37	N/A
Z1, ZL1, Z2, ZT ZJ1, Z3H, Z5H, Z6S/H	WCC06	7	1	3-1/2	15	15	8-1/2	12	8-3/4
Z8S/H, Z81S, Z10S/H	WCC08	9	1-1/2	5-1/2	18-1/2	4	11	18-1/2	11-1/4
Z101S, Z102S	WCC10	11	1-1/2	5-1/2	18-1/2	4	11	21	11-1/4
Z12S, Z121S	WCC12	13	2	7	20-1/2	4	13	25	15-3/4
Z102H, Z12H	WCC14	15	2	7	24-3/4	4	13	28	15-3/4
Z14, Z15	WCC20	21	2	10-1/2	28-1/2	5-1/2	18	37	19-3/4

These spun aluminum, rustproof, seamless vents provide a discharge cap for flat roof mounting. Unobtrusive and furnished with integral bird screen, they are designed for simple, safe flashing directly to the roof. Mounting flanges are also available turned down as cap flashing when installation on roof curbs is desired.

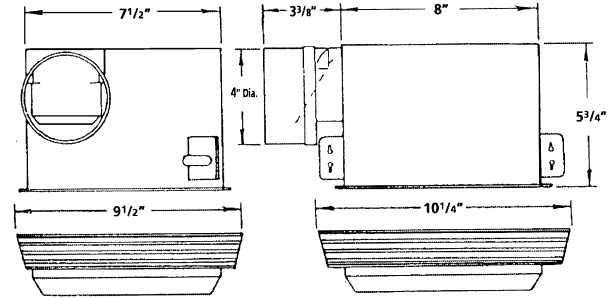
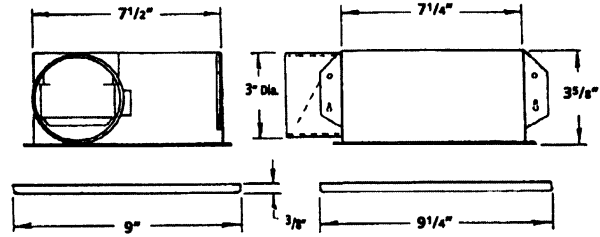
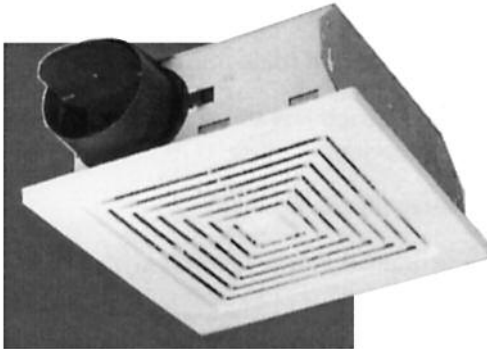
STATIC PRESSURE DROP CHART FOR ACCESSORIES





Z1 FEATURES

- 56 CFM, 3.4 Sones @ 0.0" Ps
- Quiet-designed, durable blower wheels
- Torsion spring grille mounting—no tools needed
- Compact housings fit easily between wall studs
- Double strength steel mounting flanges with keyhole slots
- UL listed for use over bathtubs and showers when connected to a GFCI protected branch circuit
- AMCA licensed for both air and sound



ZL1 & ZL2 FEATURES

- 56 CFM, 2.9 Sones—Model ZL1
- 82 CFM, 4.4 Sones—Model ZL2
- 100 watt lighting (bulb not included)
- Totally enclosed low RPM motor with permanently sealed bearings
- Centrifugal blower wheel
- White molded polymeric grille with unbreakable light lens
- Plug-in receptacles for fan and light
- Rugged steel housing with built-in mounting brackets
- 4" polymeric duct connector
- Durable damper quietly eliminates backdrafts—no metallic clatter
- UL listed for use over bathtubs and showers when connected to a GFCI protected branch circuit
- AMCA licensed for both air and sound

LIST PRICES		
ITEM		PRICE
FAN	Z1	\$148
FAN/LIGHT	ZL1	\$310
FAN/LIGHT	ZL2	\$364
FLAT ROOF CAP	WCF-06	\$226
SLOPED ROOF CAP	SL20	\$136
WALL CAP	WC10	\$98
SPEED CONTROL	LT30	\$76
TIMER SWITCH	AM12	\$490

PERFORMANCE DATA

MODEL NO.	SONES AT 0.0" Ps	CFM AT STATIC PRESSURE (PS - INCHES OF H ₂ O)						VOLTS	WATTS	NOMINAL RPM	DUCT DIA.
		0.0	0.1	.125	.250	.375	.500				
Z1	3.4	56	51	50	46	41	32	120	55	1700	3"
ZL1	2.9	56	50	46	30	—	—	120	35	1100	4"
ZL2	4.4	82	80	79	68	—	—	120	50	1450	4"

Performance shown is for installation type B - Free inlet, ducted outlet. Performance ratings include the effects of inlet grille and backdraft damper in the airstream. Speed (RPM) shown is nominal. Performance is based on actual speed of test. The sound ratings shown are loudness values in fan sones at 5' (1.5m) in a hemispherical-free field calculated per AMCA std. 301. Values shown are for installation Type B: free inlet fan sone levels.



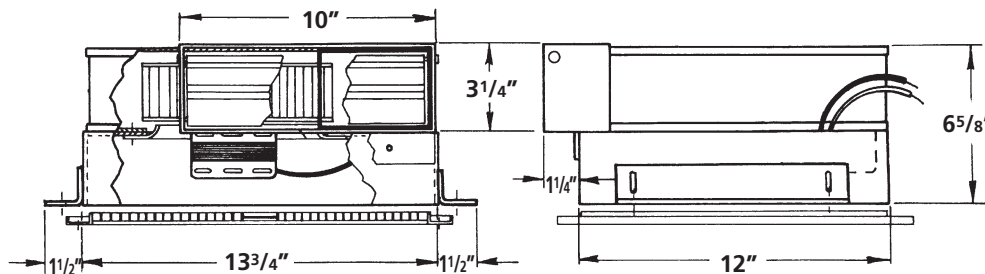
ZEPHYR JR. & ZEPHYRETTE FEATURES

- Quiet operation – low sone level, non-overloading low power consumption design.
- True centrifugal steel wheel statically and dynamically balanced.
- Powerful plug-in motors, lifetime lubricated, removable fan assembly.
- Thermal overload protection integral with motor.
- Rustless, durable housing of galvanized steel.
- UL label applies to entire assembly.

PERFORMANCE AND DIMENSIONAL DATA

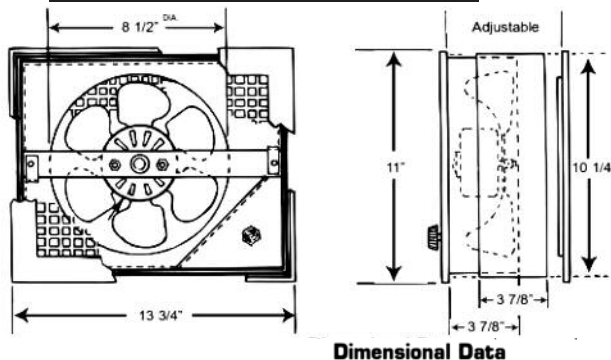
MODEL NUMBER	MAX. WATTS	MOTOR 60HZ AC	MOTOR RPM	SHIPPING WEIGHT (LB)	FAN CAPACITY – CUBIC FEET PER MINUTE								
					SP	0.0"	.10"	.125"	.250"	.375"	.500"	.625"	.750"
ZT	48	115/1	1200	19	CFM	91	88	88	85	75	49	—	—
					SONES	1.8	2.2	2.3	2.8	3.0	3.2	—	—
					RPM	840	930	970	1110	1280	1460	—	—
ZJ1	125	115/1	1200	19	CFM	149	156	157	158	160	153	138	117
					SONES	2.0	2.3	2.4	3.0	3.4	3.4	3.6	3.5
					RPM	760	1000	1020	1150	1240	1360	1450	1520

Performance shown is for installation type A—Free inlet, Free outlet. Performance ratings include the effects of inlet grille and backdraft damper in the airstream. Speed (RPM) shown is nominal. Performance is based on actual speed of test. The sound ratings shown are loudness values in fan sones at 5' (1.5m) in a hemispherical-free field calculated per AMCA std. 301. Values shown are for installation Type A: free inlet fan sone levels. The AMCA Certified Ratings Seal applies to air performance ratings only.



Zephyrette and Zephyr Jr. models carry the UL Label.

ZEPHYR ROOM TO ROOM FAN



- Adjustable wall sleeve
- Variable speed switch
- UL705 & UL507
- Molded plastic face grilles

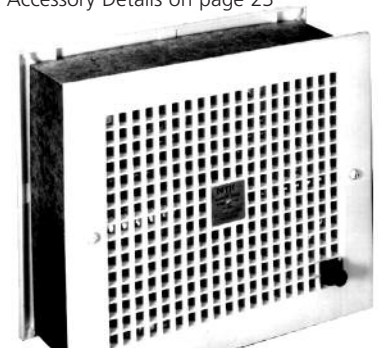
LIST PRICE

TF8	\$750
-----	-------

LIST PRICES

ITEM	PRICE
FAN ZT	\$256
FAN ZJ1	\$290
Flat Roof Cap WCF-06	\$226
Curb Mtd. Cap WCC-06	\$226
Sloped Roof Cap SL20	\$136
Wall Cap WC10	\$98
Speed Control LT30	\$76
Timer Switch AM12	\$490

Accessory Details on page 23



TRANSFAN MODEL TF8

Model No.	Sone Level	Motor RPM	Shipping Weight	Grille Free Area	HP	Fan Capacity CFM at 0" SP
TF8	2.2	1490	9.5 lbs.	85%	1/50	255

Electrical Characteristic: 115/1/60



ZEPHYR, ZEPHYRETTE & ZEPHYR JR. CEILING FAN ACCESSORIES

FLAT ROOF CAPS

Penn Flat Roof Caps are spun aluminum seamless vents which provide a discharge cap for flat mounting. Mounting flanges are available turned down as cap flashing when installation on roof curbs is desired. Roof Caps are unobtrusive and furnished with integral bird screen. See Page 20.

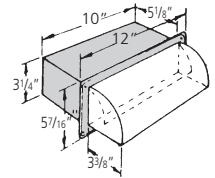


Model WCF-06

Note: See P. 19 for prices

WALL CAPS

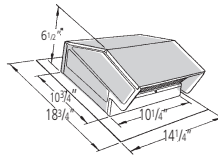
Inconspicuous but efficient wall outlets are provided through the use of the Wall Cap. Architectural values are not diminished by this tastefully designed accessory. When properly installed the Penn Wall Cap is both weather-tight and effective. See Page 19.



Model WC10

SLOPED ROOF CAPS

Minimum height caps are available for sloped roof application. Model SL20 is available in galvanized steel and has an extra backdraft damper in addition to the Zephyr damper. See Page 19.



LEK-TROL SPEED CONTROLLER

Penn's solid state Lek-Trol lets you "tune-in" on the precise air volume needed. Users can adjust fan speed with a turn of the dial. Attractive, variable speed switch provides on-off control and permits unlimited air movement control. See Page 19.

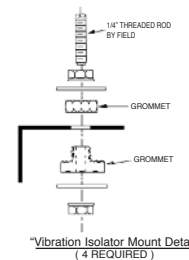


AIRMINDER TIME DELAY SWITCH

The Airminder is an inexpensive, single gang toggle switch and time delay that operates both the fan and the room light. Airminder AM12 operates using 120 volt power and ventilates the room even after the occupants leave. The AM12 is suitable for use with 115/1/60 motors through 1/3 HP. AM12 is UL listed and has a 10amp rating for motor load and 500 watts for room lights. See Page 19.



ZEPHYR ISOLATION KIT MODELS ZT - Z12H



PART #	PRICE
29954-0	\$40 (PER SET OF 4)

MODEL HND HANGER

MODEL FMD MOUNT



VMC NEOPRENE VIBRATION ISOLATORS

WEIGHT RATING	HANGER PRICE	MOUNT PRICE
40 LBS. RED	\$28	\$23
70 LBS. GREEN	\$28	\$27
115 LBS. BLACK	\$28	\$33

REPLACEMENT MOTORS 115 VOLT

MODEL	PART#	PRICE
ZT	60030-0	\$158
ZJ1	60024-0	\$204
Z6 S-H	56343-0	\$226
Z8 S-H	56344-0	\$300
Z10 S-H	56346-0	\$340

MODEL MFG METAL FACE GRILLE

MODEL	PART#	PRICE
ZT-ZJ1	39595-1 MFG8	\$98
Z3-Z5-Z6	39593-1 MFG6	\$54
Z8-Z81	39595-1 MFG8	\$98
Z10	39597-1 MFG10	\$120
Z101-Z121	39599-1 MFG12	\$178



Motors prewired with connector/plug.

Hardware #39600-0 (Screws) included above. Available separately at \$14.



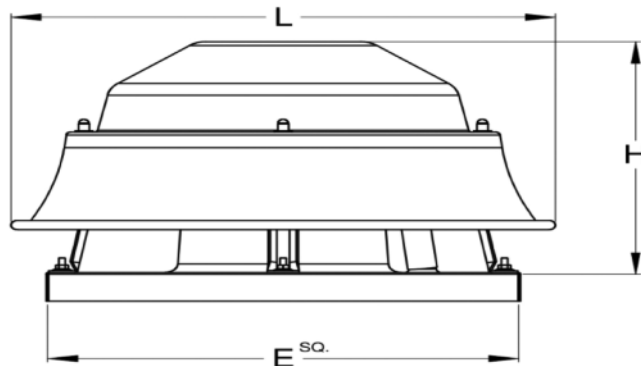
DIRECT DRIVE ECM DOMEX DX11QGP

Green Plus Electronically Commutated Motor ECM

Gplus

**115V/1/60
1/4 HP**

The Green Plus (GP) option utilizes EC motors to provide significantly greater efficiency, flexibility, and controlability over standard direct drive permanent split capacitor (PSC) motors. Using the included potentiometer, the Green Plus motors can be turned down to as low as 80% the max operating speed while maintaining 90% efficiency through the operating range. Additionally, the Green Plus can accept 0-10V input to tie to building management systems, not only allowing for savings in direct fan energy consumption but reducing the exhaust of conditioned air during off peak hours as well.



Unit Size	E	H	L	Weight
11	18.5	18.5	21.44	78 lbs. incl. motor

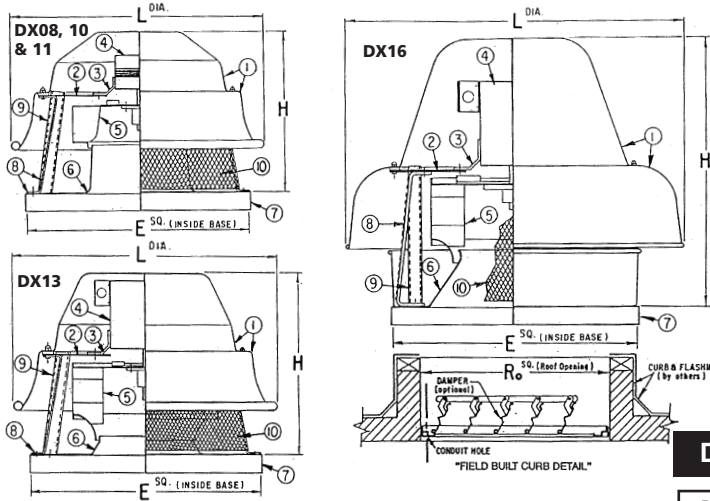
- 0-10V OUTPUT POTENTIOMETER
- WIRED DISCONNECT
- GRAVITY BACKDRAFT DAMPER
- BIRDSCREEN
- PERFORMANCE RANGE 100 CFM @.25" TO 650 CFM @.50"
- THERMAL OVERLOAD PROTECTED

LIST PRICES			
MODEL	HP	FAN PRICE	17 x 17 FLAT ROOF CURB
DX11QGP	1/4	\$2126	\$338

DIRECT DRIVE

DX08SR, DX10SR, DX11VSR, DX11Q, DX13VSR, DX13Q, DX16VSR, DX16Q

- All Domex Fan list prices include aluminum bird screen, backdraft damper & wired disconnect plug.
- Speed control switch optional.
- Standard motor is open drip-proof 115V single phase.
- With internal overload protection.
- UL705 Standard.



DIMENSIONS

MODEL NO.	L (Dia)	H	E*	Roof Opening
DX08S/R	20 7/8	13 3/8	18.5 X 18.5	9 X 9
DX10S/R	20 7/8	13 3/8	18.5 X 18.5	11.5 X 11.5
DX11V/S/R&Q	20 7/8	13 3/8	18.5 X 18.5	11.5 X 11.5
DX13V/S/R&Q	21 7/16	14 3/4	18.5 X 18.5	11.5 X 11.5
DX16V/S/R, Q1&Q2	28 1/2	22 1/2	20.5 X 20.5	16 X 16

All dimensions are in inches
*Outside dimension of curb should be 1 1/2" less than "E" dimension.

LEGEND

- HOOD - DISCHARGE APRON
- TOP PLATE
- MOTOR MOUNTING BRACKETS
- MOTOR
- CENTRIFUGAL FAN (WITH COOLING VANES)
- SPUN VENTURI
- MOUNTING BASE
- STRUCTURAL SUPPORT BRACES
- CONDUIT GUIDE
- ALUMINUM BIRD SCREEN

FAN CAPACITY—CUBIC FEET PER MINUTE (CFM)

Fan MODEL	Nominal HP	MAX WATTS	RPM	Tip Speed FPM	0.000" SP CFM SONES	0.125" SP CFM SONES	0.250" SP CFM SONES	0.375" SP CFM SONES	0.500" SP CFM SONES	0.625" SP CFM SONES	0.750" SP CFM SONES	1.000" SP CFM SONES	1.250" SP CFM SONES	1.500" SP CFM SONES
DX08S	1/50	44	1300	3361	237	1.5	161	2.2	114	3.0	69	3.8		
DX08R	1/30	55	1550	4007	290	2.4	223	2.8	171	3.5	129	4.1	84	4.9
DX10S	1/25	82	1300	3361	385	3.9	316	3.5	257	4.8	207	5.1	168	5.2
DX10R	1/12	121	1550	4001	559	6.1	501	5.9	446	6.1	394	6.5	338	6.8
DX11V	1/25	111	1050	3058	388	1.8	223	2.2	148	3.1	112	3.7	80	4.5
DX11S	1/11	142	1300	3786	503	3.4	397	3.6	320	4.3	262	5.0	201	5.5
DX11R	1/7	201	1550	4514	736	6.7	659	6.4	577	6.6	502	6.9	432	7.6
DX11Q	1/5	268	1725	5024	997	10.2	921	9.7	850	9.5	768	9.5	685	9.4
DX13V	1/20	92	1050	3221	661	4.4	479	3.1	341	2.8	262	3.6	207	4.3
DX13S	1/12	120	1300	3988	869	8.0	749	6.4	632	5.3	510	5.4	418	6.0
DX13R	1/6	201	1550	4755	1054	10.5	988	9.9	917	9.2	839	8.9	736	8.5
DX13Q	1/4	314	1725	5292	1280	16.0	1226	15.3	1170	14.6	1112	14.0	1053	13.4
DX16V	1/6	453	1050	3788	1738	9.9	1489	8.0	1256	6.6	1032	6.1	884	6.6
DX16S	1/3	510	1300	4690	2021	12.0	1822	10.6	1637	9.5	1428	8.7	1256	8.4
DX16R	1/2	574	1550	5592	2346	13.8	2176	12.8	2014	12.0	1853	11.3	1685	10.7
DX16Q1	1/2	688	1650	5953	2701	16.9	2576	16.4	2465	15.9	2352	15.5	2228	15.0

LIST PRICES

MODEL	HP	RPM	FAN PRICE	ROOF CURB	VARIABLE SPEED SWITCH
DX08S/R	1/30	1300/1550	\$880	\$338 (17" x 17")	\$130 (LT25)
DX10S/R	1/12	1300/1550	\$920	\$338 (17" x 17")	\$76 (LT30)*
DX11V/S/R	1/7	1050/1300/1550	\$1144	\$338 (17" x 17")	\$76 (LT30)*
DX11Q	1/5	1725	\$1064	\$338 (17" x 17")	\$90 (LT50)
DX13V/S/R	1/6	1050/1300/1550	\$1188	\$338 (17" x 17")	\$76 (LT30)*
DX13Q	1/4	1725	\$1200	\$338 (17" x 17")	\$90 (LT50)
DX16V/S/R	1/2	1050/1300/1550	\$1540	\$360 (19" x 19")	\$90 (LT50)*
DX16Q1	1/2	1725	\$1646	\$360 (19" x 19")	\$188 (LT40)

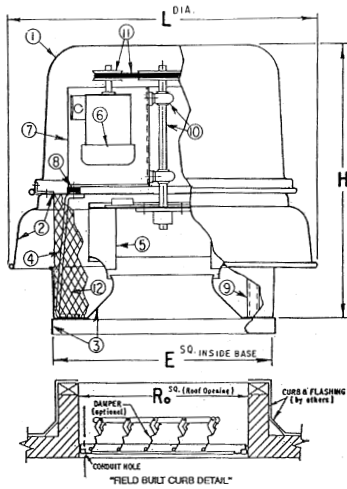
*Speed switch for high speed ONLY



www.pennbarry.com

BELT DRIVE

DOMEX MODELS
DX06B, DX08B, DX11B



DX11B

- All Domex Fan list prices include aluminum bird screen, backdraft damper & wired disconnect switch.
- Standard motor is open drip-proof 115V single phase.
- UL705 Standard.



LEGEND

1. MOTOR DOME
2. DISCHARGE APRON / TOP PLATE
3. BASE / VENTURI INLET
4. STRUCTURAL SUPPORT BRACES
5. CENTRIFUGAL FAN WHEEL
6. MOTOR
7. MOTOR & BEARING FRAME
8. ANTI VIBRATION MOUNTS
9. CONDUIT GUIDE
10. FAN SHAFT & BEARINGS
11. V-BELT & PULLEYS
12. ALUMINUM BIRD SCREEN

DIMENSIONS

DIMENSIONS	V-BELT DRIVE MODELS		
	DX06B	DX08B	DX11B
L ^{DIA}	21-11/16	21-11/16	28-1/2
H	18-13/16	18-13/16	25-7/16
E ^{SO}	18-1/2	18-1/2	20-1/2
Ro ^{SO}	11-1/2	11-1/2	16

† OUTSIDE DIMENSION OF CURB SHOULD BE 1/2" LESS THAN 'E' DIMENSION.

ALL DIMENSIONS IN INCHES.

HP	RPM	TIP SPEED (FPM)	FAN CAPACITY - CUBIC FEET PER MINUTE (CFM)																				
			0.000 SP		0.125 SP		0.250 SP		0.375 SP		0.500 SP		0.625 SP		0.750 SP		0.875 SP		1.000 SP		1.125 SP		
			Sones	BHP	Sones	BHP	Sones	BHP	Sones	BHP	Sones	BHP	Sones	BHP	Sones	BHP	Sones	BHP	Sones	BHP	Sones	BHP	
DX06B 1/4	800	2330	563	404	139																		
	1000	2913	704	583	433	219																	
	1225	3568	862	772	662	531	366	122															
DX08B 1/4	800	2454	617	497	344																		
	1000	3068	771	678	574	450	121																
	1225	3758	945	872	790	704	609	483	351														
DX11B 1/4	750	2706	1293	1113	880	252																	
	900	3247	1552	1407	1238	1028	665																
	1075	3878	1853	1735	1603	1456	1284	1040	647														
DX11B 1/2	1093	3943	1884	1768	1639	1496	1329	1111	758														
			10.2 0.23	9.6 0.24	9.1 0.24	8.3 0.25	7.9 0.26	7.7 0.26	7.7 0.23														
	1191	4297	2053	1948	1834	1708	1568	1406	1193	883													
			11.5 0.29	11.0 0.30	10.5 0.31	9.8 0.32	9.0 0.34	8.8 0.34	8.6 0.34	8.6 0.31													
	1369	4939	2360	2271	2172	2069	1959	1838	1703	1556	1352	1095											
			14.0 0.44	13.6 0.46	13.2 0.47	12.8 0.48	12.1 0.48	11.4 0.51	11.0 0.52	10.8 0.52	10.9 0.51	10.9 0.48											
	1100	4572	2146	2023	1875	1740	1591	1408	1285	1170													
		14.5 0.24	13.9 0.26	13.4 0.28	12.9 0.29	12.5 0.30	12.3 0.31	11.7 0.29															
1200	4987	2341	2231	2096	1966	1844	1700	1541	1341	1076													
		16.3 0.32	15.8 0.33	15.2 0.35	14.7 0.37	14.3 0.38	13.8 0.39	13.7 0.41	13.6 0.39														
1350	5611	2634	2536	2423	2303	2190	2083	1810	1654	1478	1248												
		18.9 0.45	18.4 0.47	17.9 0.49	17.4 0.51	16.8 0.53	16.3 0.54	15.2 0.57	15.1 0.58	15.5 0.58	15.6 0.56												

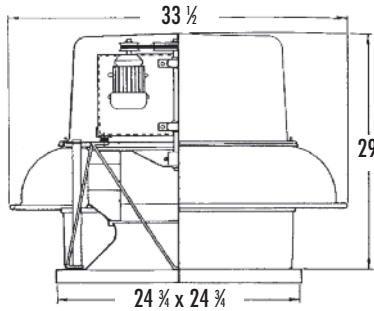
LIST PRICES

MODEL	HP	FAN PRICE	ROOF CURB
DX06B	1/4	\$1970	\$338 (17" x 17")
DX08B	1/4	\$2184	\$338 (17" x 17")
DX11B	1/4	\$2438	\$360 (19" x 19")
DX11B	1/2	\$2528	\$360 (19" x 19")



www.pennbarry.com

BELT DRIVE



- All Domex Fan list prices include aluminum bird screen, backdraft damper & wired disconnect switch.
- Standard motor is open drip-proof 115V single phase.
- UL705 Standard.



DOMEX MODEL DX12B

Gal. Steel Base = 16 gauge	Roof Opening = 16-1/4 in (sq)	Peak BHP = (RPM/1617) ³
Alum. Base = 0.064 in	Damper Size = 16 in (sq)	Max. RPM = 2007 (1-1/2 HP)
Discharge Apron = 0.064 in	Max. Motor Frame Size = 56	Est. Shipping Weight = 98 lbs

*Standard

HP	RPM	TIP SPEED (FPM)	FAN CAPACITY - CUBIC FEET PER MINUTE (CFM)																							
			0.000" SP		0.125" SP		0.250" SP		0.375" SP		0.500" SP		0.625" SP		0.875" SP		1.000" SP		1.125" SP		1.250" SP					
			Sones	BHP	Sones	BHP	Sones	BHP	Sones	BHP	Sones	BHP	Sones	BHP	Sones	BHP	Sones	BHP	Sones	BHP	Sones	BHP				
DX12B 1/2	850	3533	1658	1485	1308	1084	769																			
			11.5	0.11	10.8	0.13	10.4	0.14	10.2	0.14	9.4	0.14														
	900	3740	1756	1595	1425	1232	985																			
			12.2	0.13	11.5	0.15	11.0	0.16	10.8	0.17	10.3	0.17														
	950	3948	1853	1703	1538	1371	1155	858																		
			12.9	0.16	12.3	0.17	11.6	0.18	11.4	0.19	11.0	0.20	10.4	0.19												
	1000	4156	1951	1811	1650	1499	1308	1076																		
			13.3	0.18	12.8	0.20	12.1	0.21	11.7	0.22	11.4	0.23	11.1	0.23												
	1039	4318	2027	1894	1737	1597	1422	1219																		
			13.7	0.21	13.2	0.22	12.6	0.24	12.2	0.25	11.7	0.26	11.6	0.26												
	1055	4385	2058	1928	1774	1636	1468	1269																		
			13.8	0.21	13.4	0.23	12.8	0.25	12.4	0.26	11.9	0.27	11.7	0.28												
	1075	4468	2097	1970	1819	1683	1525	1331	524																	
			14.1	0.23	13.6	0.24	13.1	0.26	12.6	0.27	12.2	0.28	12.0	0.29	10.8	0.23										
	1100	4572	2146	2023	1875	1740	1591	1408	855																	
			14.5	0.24	13.9	0.26	13.4	0.28	12.9	0.29	12.5	0.30	12.3	0.31	11.7	0.29										
	1132	4705	2208	2091	1946	1813	1673	1503	1058																	
			15.0	0.27	14.4	0.28	13.9	0.30	13.4	0.31	13.0	0.33	12.7	0.34	12.5	0.33										
	1150	4779	2244	2128	1986	1854	1719	1556	1136	572																
			15.3	0.27	14.7	0.29	14.2	0.31	13.7	0.33	13.3	0.34	12.9	0.35	12.9	0.35	12.0	0.28								
1175	4883	2292	2180	2041	1910	1782	1629	1239	906																	
		15.7	0.30	15.2	0.31	14.6	0.33	14.2	0.35	13.7	0.36	13.3	0.37	13.3	0.38	12.9	0.35									
1200	4987	2341	2231	2096	1966	1844	1700	1341	1076																	
		16.3	0.32	15.8	0.33	15.2	0.35	14.7	0.38	14.3	0.38	13.8	0.39	13.7	0.41	13.6	0.39									
1250	5195	2439	2333	2206	2077	1963	1831	1507	1300	922																
		17.2	0.36	16.8	0.37	16.2	0.40	15.7	0.42	15.1	0.43	14.7	0.44	14.4	0.46	14.5	0.45	14.2	0.42							
1275	5299	2488	2384	2260	2134	2021	1895	1585	1402	1153																
		17.7	0.38	17.2	0.39	16.7	0.42	16.1	0.44	15.5	0.45	14.9	0.47	14.6	0.48	14.7	0.48	14.7	0.47							
1302	5411	2540	2439	2319	2195	2082	1963	1668	1503	1280	869															
		18.1	0.40	17.6	0.42	17.1	0.44	16.6	0.46	16.0	0.48	15.4	0.49	14.7	0.52	14.9	0.52	15.2	0.51	14.5	0.45					
1325	5507	2585	2486	2369	2247	2134	2021	1736	1576	1375	1106															
		18.5	0.43	18.0	0.44	17.5	0.46	17.0	0.49	16.4	0.50	15.8	0.52	14.8	0.54	15.0	0.55	15.3	0.54	15.1	0.51					
1350	5611	2634	2536	2423	2303	2190	2083	1810	1654	1478	1248															
		18.9	0.45	18.4	0.47	17.9	0.49	17.4	0.51	16.8	0.53	16.3	0.54	15.2	0.57	15.1	0.58	15.5	0.58	15.6	0.56					

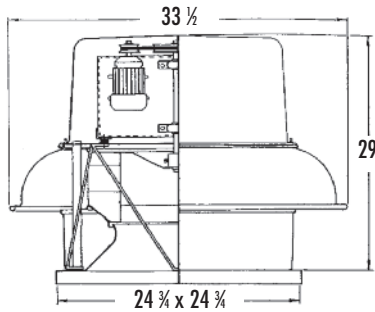
Other RPM possible with drive change.

LIST PRICES			
MODEL	HP	FAN PRICE	23 x 23 FLAT ROOF CURB
DX12B	1/2	\$2760	\$404



BELT DRIVE

DOMEX MODEL
DX14B



- All Domex Fan list prices include aluminum bird screen, backdraft damper & wired disconnect switch.
- Standard motor is open drip-proof 115V single phase.
- UL705 Standard.

Gal. Steel Base = 16 gauge	Roof Openig = 16-1/4 in (sq)	Peak BHP = (RPM/1617) ³
Alum. Base = 0.064 in	Damper Size = 16 in (sq)	Max. RPM = 2007 (1-1/2 HP)
Discharge Apron = 0.064 in	Max. Motor Frame Size = 56	Est. Shipping Weight = 98 lbs

*Standard

HP	RPM	TIP SPEED (FPM)	FAN CAPACITY - CUBIC FEET PER MINUTE (CFM)																					
			0.000" SP		0.125" SP		0.250" SP		0.375" SP		0.500" SP		0.625" SP		0.750" SP		1.000" SP		1.250" SP		1.500" SP			
			Sones	BHP	Sones	BHP	Sones	BHP	Sones	BHP	Sones	BHP	Sones	BHP	Sones	BHP	Sones	BHP	Sones	BHP	Sones	BHP		
DX14B 1/2	842	3499	2290	2077	1835	1522	1104																	
			9.7	0.15	9.0	0.17	8.3	0.18	7.4	0.18	6.3	0.17												
	910	3782	2475	2276	2070	1793	1495	831																
			10.7	0.19	10.1	0.21	9.5	0.22	8.8	0.23	7.6	0.22	6.9	0.18										
	958	3982	2606	2415	2226	1977	1699	1355																
			11.8	0.23	11.2	0.24	10.6	0.26	10.0	0.26	8.8	0.26	7.6	0.25										
	1000	4156	2720	2536	2360	2135	1870	1588	1033															
			12.6	0.26	12.0	0.27	11.4	0.29	10.8	0.30	9.8	0.30	8.5	0.29	7.9	0.25								
	1020	4239	2774	2593	2424	2208	1949	1684	1250															
			12.9	0.27	12.3	0.29	11.8	0.30	11.1	0.32	10.2	0.32	8.9	0.31	8.1	0.29								
	1044	4339	2840	2662	2499	2292	2044	1788	1445															
			13.1	0.29	12.6	0.31	12.1	0.33	11.4	0.34	10.7	0.34	9.4	0.34	8.4	0.32								
	1060	4405	2883	2708	2549	2348	2106	1854	1561															
			13.4	0.31	12.8	0.32	12.4	0.34	11.7	0.35	11.0	0.36	9.8	0.35	8.7	0.34								
1095	4551	2978	2809	2654	2469	2240	1998	1738																
		14.2	0.34	13.7	0.35	13.2	0.37	12.6	0.39	11.9	0.39	10.7	0.39	9.5	0.38									
1130	4696	3074	2909	2758	2586	2373	2138	1901	610															
		15.2	0.37	14.6	0.39	14.1	0.41	13.6	0.42	12.8	0.43	11.9	0.43	10.5	0.43	9.3	0.25							
1160	4821	3155	2995	2847	2683	2484	2257	2027	1251															
		16.0	0.40	15.5	0.42	15.1	0.44	14.5	0.46	13.8	0.47	12.9	0.47	11.5	0.46	9.8	0.40							
1190	4946	3237	3081	2936	2780	2592	2373	2150	1556															
		17.0	0.44	16.4	0.45	16.0	0.47	15.5	0.49	14.8	0.50	14.0	0.51	12.6	0.50	10.4	0.47							

Other RPM possible with drive change.

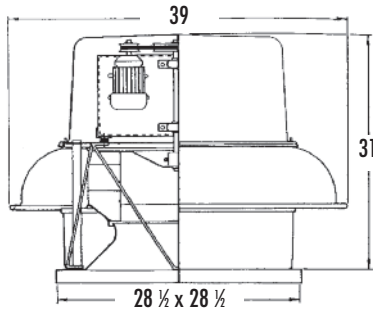


LIST PRICES			
MODEL	HP	FAN PRICE	23 x 23 FLAT ROOF CURB
DX14B	1/2	\$2790	\$404



BELT DRIVE

**DOMEX MODEL
DX16B**



- All Domex Fan list prices include aluminum bird screen, backdraft damper & wired disconnect switch.
- Standard motor is open drip-proof 115V/230V single phase.
- UL705 Standard.

Gal. Steel Base = 14 gauge	Roof Opening = 20 in (sq)	Peak BHP = (RPM/1078) ³
Alum. Base = 0.080 in	Damper Size = 19-3/4 in (sq)	Max. RPM = 1631 (3 HP)
Discharge Apron = 0.064 in	Max. Motor Frame Size = 145T	Est. Shipping Weight = 131 lbs

*Standard

HP	RPM	TIP SPEED (FPM)	FAN CAPACITY - CUBIC FEET PER MINUTE (CFM)																			
			0.000" SP		0.125" SP		0.250" SP		0.375" SP		0.500" SP		0.625" SP		0.750" SP		1.000" SP		1.250" SP		1.500" SP	
			Sones	BHP	Sones	BHP	Sones	BHP	Sones	BHP	Sones	BHP	Sones	BHP	Sones	BHP	Sones	BHP	Sones	BHP	Sones	BHP
DX16B 1/2	600	2936	2947	2250	1980	1465																
			8.8	0.15	8.3	0.16	7.9	0.17	7.4	0.16												
	650	3180	2705	2478	2233	1935	1029															
			9.7	0.19	9.1	0.20	8.8	0.21	8.5	0.22	7.8	0.17										
	694	3395	2889	2677	2450	2212	1707															
			10.4	0.23	10.0	0.24	9.7	0.26	9.3	0.27	8.8	0.25										
	715	3498	2976	2772	2552	2323	1948	901														
			10.9	0.25	10.5	0.27	10.1	0.28	9.8	0.29	9.2	0.29	8.9	0.20								
	735	3596	3059	2861	2648	2426	2120	1302														
			11.5	0.27	11.0	0.29	10.6	0.30	10.2	0.31	9.7	0.32	9.2	0.26								
	755	3694	3142	2950	2744	2528	2266	1620														
			11.9	0.30	11.6	0.31	11.1	0.33	10.7	0.34	10.3	0.34	9.7	0.31								
775	3792	3226	3039	2839	2629	2397	1897	766														
		12.3	0.32	11.9	0.34	11.6	0.35	11.2	0.36	10.7	0.37	10.1	0.35	9.9	0.22							
800	3914	3330	3150	2957	2755	2546	2183	1334														
		12.8	0.35	12.4	0.37	12.0	0.38	11.7	0.40	11.3	0.41	10.6	0.40	10.3	0.32							
825	4036	3434	3259	3073	2878	2679	2396	1744														
		13.3	0.39	12.9	0.40	12.5	0.42	12.2	0.43	11.8	0.45	11.2	0.45	10.7	0.40							
850	4159	3538	3368	3188	3001	2808	2575	2091														
		13.8	0.42	13.5	0.44	13.1	0.46	12.7	0.47	12.3	0.49	11.9	0.49	11.2	0.46							

Other RPM possible with drive change.



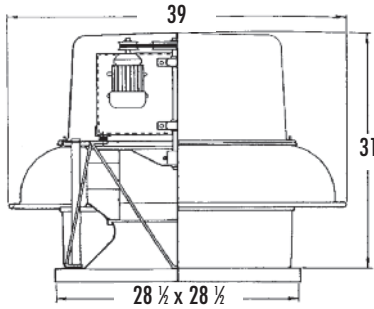
LIST PRICES		
HP	FAN PRICE	27 x 27 FLAT ROOF CURB
1/2	\$3194	\$448



www.pennbarry.com

BELT DRIVE

DOMEX MODEL
DX18B



- All Domex Fan list prices include aluminum bird screen, backdraft damper & wired disconnect switch.
- Standard motor is open drip-proof 115V/230V single phase.
- UL705 Standard.

Gal. Steel Base = 14 gauge	Roof Opening = 20 in (sq)	Peak BHP = (RPM/986) ³
Alum. Base = 0.080 in	Damper Size = 19-3/4 in (sq)	Max. RPM = 1631 (2 HP)
Discharge Apron = 0.064 in	Max. Motor Frame Size = 145T	Est. Shipping Weight = 132 lbs

*Standard

HP	RPM	TIP SPEED (FPM)	FAN CAPACITY - CUBIC FEET PER MINUTE (CFM)																			
			0.000" SP		0.125" SP		0.250" SP		0.375" SP		0.500" SP		0.625" SP		0.750" SP		1.000" SP		1.250" SP		1.500" SP	
			Sones	BHP	Sones	BHP	Sones	BHP	Sones	BHP	Sones	BHP	Sones	BHP	Sones	BHP	Sones	BHP	Sones	BHP	Sones	BHP
DX18B 1/2	590	3128	3108	2774	2417	1746																
			8.9	0.18	8.5	0.20	7.9	0.21	7.4	0.20												
	635	3366	3345	3037	2711	2291																
			10.1	0.22	9.7	0.24	9.1	0.26	8.3	0.26												
	655	3472	3450	3153	2838	2478	1493															
			10.4	0.24	10.0	0.26	9.4	0.28	8.7	0.29	8.2	0.24										
	675	3578	3555	3268	2963	2638	1913															
			10.7	0.26	10.3	0.29	9.8	0.31	9.1	0.32	8.4	0.30										
	691	3663	3640	3360	3062	2751	2162															
			10.9	0.28	10.5	0.31	10.1	0.33	9.3	0.34	8.5	0.34										
715	3791	3766	3497	3209	2911	2456																
		11.4	0.31	11.0	0.34	10.5	0.36	9.8	0.38	9.0	0.37											
740	3923	3898	3639	3361	3075	2712	1852															
		12.1	0.35	11.7	0.37	11.2	0.39	10.4	0.41	9.7	0.42	9.1	0.37									
770	4082	4056	3808	3542	3271	2974	2383															
		13.1	0.39	12.7	0.42	12.2	0.44	11.5	0.46	10.6	0.48	9.7	0.46									
794	4209	4182	3943	3685	3424	3150	2684	1604														
		14.2	0.43	13.7	0.46	13.2	0.48	12.5	0.50	11.6	0.52	10.6	0.51	10.3	0.41							
DX18B 3/4	825	4374	4345	4115	3868	3618	3357	3010	2313													
			15.2	0.48	14.8	0.51	14.2	0.53	13.7	0.56	12.6	0.58	11.6	0.58	10.8	0.54						
	855	4533	4503	4281	4045	3804	3555	3278	2763													
			15.5	0.53	15.1	0.57	14.6	0.59	14.1	0.62	13.2	0.64	12.2	0.65	11.2	0.64						
	885	4692	4662	4447	4220	3987	3750	3504	3107													
			16.3	0.59	15.9	0.63	15.4	0.65	14.9	0.68	14.1	0.70	13.3	0.72	12.3	0.71						
912	4835	4804	4595	4376	4151	3923	3684	3376	1675													
		17.1	0.65	16.8	0.68	16.3	0.71	15.8	0.74	15.1	0.76	14.3	0.78	13.4	0.78	12.3	0.59					

Other RPM possible with drive change.



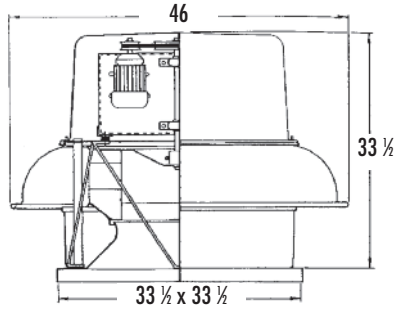
LIST PRICES		
HP	FAN PRICE	27 x 27 FLAT ROOF CURB
1/2	\$3252	\$448
3/4	\$3400	\$448



www.pennbarry.com

BELT DRIVE

**DOMEX MODEL
DX24B**



- All Domex Fan list prices include aluminum bird screen, backdraft damper & wired disconnect switch.
- Standard motor is open drip-proof 115V/230V single phase.
- Or 208/230/460 three phase tri voltage motor.

Gal. Steel Base = 14 gauge	Roof Opening = 25 in (sq)	Peak BHP = (RPM/700) ³
Alum. Base = 0.080 in	Damper Size = 24-3/4 in (sq)	Max. RPM = 1275 (5 HP)
Discharge Apron = 0.064 in	Max. Motor Frame Size = 184T	Est. Shipping Weight = 183 lbs

*Standard

HP	RPM	TIP SPEED (FPM)	FAN CAPACITY - CUBIC FEET PER MINUTE (CFM)																					
			0.000" SP		0.125" SP		0.250" SP		0.375" SP		0.500" SP		0.625" SP		0.750" SP		1.000" SP		1.250" SP		1.500" SP			
			Sones	BHP	Sones	BHP	Sones	BHP	Sones	BHP	Sones	BHP	Sones	BHP	Sones	BHP	Sones	BHP	Sones	BHP	Sones	BHP		
DX24B 1	540	3503	5190	4854	4402	3865	3107																	
			11.0	0.38	10.5	0.42	9.7	0.45	9.0	0.46	7.0	0.43												
	561	3640	5392	5075	4650	4142	3517																	
			11.6	0.43	11.0	0.47	10.4	0.49	9.6	0.51	8.2	0.50												
	600	3893	5767	5473	5104	4642	4122	3399																
			13.1	0.52	12.6	0.57	11.9	0.59	11.2	0.62	10.3	0.62	8.2	0.59										
	625	4055	6007	5726	5384	4955	4484	3890	2988															
			14.3	0.59	13.7	0.64	13.0	0.67	12.3	0.70	11.6	0.71	9.9	0.69	8.2	0.64								
	645	4185	6200	5926	5601	5196	4747	4226	3466															
			14.5	0.65	14.0	0.71	13.4	0.73	12.6	0.76	11.9	0.78	10.8	0.76	8.8	0.73								
	663	4301	6373	6107	5795	5411	4980	4493	3838															
			14.7	0.71	14.2	0.76	13.7	0.79	13.0	0.82	12.3	0.85	11.4	0.84	9.7	0.80								
675	4379	6488	6227	5924	5553	5134	4669	4075																
		15.0	0.75	14.5	0.80	13.9	0.84	13.1	0.86	12.6	0.89	11.8	0.89	10.3	0.86									
685	4444	6584	6327	6031	5671	5261	4815	4268																
		15.2	0.78	14.7	0.84	14.1	0.87	13.5	0.90	12.8	0.93	12.1	0.93	10.8	0.90									
700	4541	6728	6477	6191	5847	5450	5031	4531																
		15.5	0.83	15.0	0.89	14.5	0.93	13.9	0.96	13.3	0.99	12.6	1.00	11.5	0.97									

Other RPM possible with drive change.



LIST PRICES		
HP	FAN PRICE	32 x 32 FLAT ROOF CURB
1	\$4962	\$498

UPBLAST

GENERAL INFORMATION

Fumex centrifugal fans are designed for medium to high pressure applications. They can be either roof or wall mounted. While suitable for general ventilation, Fumex fans are specifically designed to discharge contaminated or grease-laden air or fumes up and away from building surfaces. The optional "Fatrap" (UL762) restaurant grease exhaust configuration (see Options and Accessories section) makes Fumex fans particularly suited for all food service applications and chemical fume hoods. Fumex fans are available in a range of capacities:

DIRECT DRIVE

Direct drive models with performance to nearly 3000 CFM to static pressures above 1 1/2". Two sizes are optionally available as UL762.

STANDARD DUTY BELT DRIVE*

Belt drive models with performance to above 21,000 CFM to static pressures above 2 1/2".

HIGH PRESSURE BELT DRIVE*

Selected belt drive models with performance to above 9,500 CFM to static pressures above 4".

HIGH CAPACITY BELT DRIVE*

(FMX50B) model with performance to above 30,000 CFM.

Fumex fans feature a weather-resistant seamless spun aluminum housing which provides ample drainage and works in conjunction with a patented wheel design and deeply spun inlets to provide smooth quiet air flow through the ventilator. The centrifugal wheels are aluminum, non-overloading, backwardly inclined, robotically welded, and dynamically balanced.

Designed for easy maintenance accessibility, Fumex fans accommodate a wide variety of motor types. All units are fully assembled and test run prior to shipping. Belt drive models are pre-set to the RPM specified.

All models have been rigorously tested in our state-of-the-art R&D lab. Penn Ventilation is registered for AMCA Air and Sound testing and qualified for the Underwriters' Laboratory Client Test Data Program.

*Note: For some high pressure, high capacity, or high velocity applications, please consult Penn's latest Dynamo or Dynapak brochure. These products are available either as UL705 or UL762.



CERTIFIED RATINGS

FUMEX DIRECT & BELT DRIVE FANS

Penn Ventilation certifies that the Fumex direct drive and belt drive models shown on pages 33-39 and are licensed to bear the AMCA seal. The ratings shown are based on tests and procedures performed in accordance with AMCA publication 211 and AMCA publication 311 and comply with the requirements of the AMCA Certified Ratings Program.



UL AND CSA CERTIFICATION

Fumex fans carry a UL label. Standard Fumex models are UL705 (ZACT), listed under File #E28413. Fumex fans with "Fatrap" configuration are UL762 (YZHW), listed under file #MH10684.

Fumex fans are also certified by the Canadian Standard Association (File #LR13309)



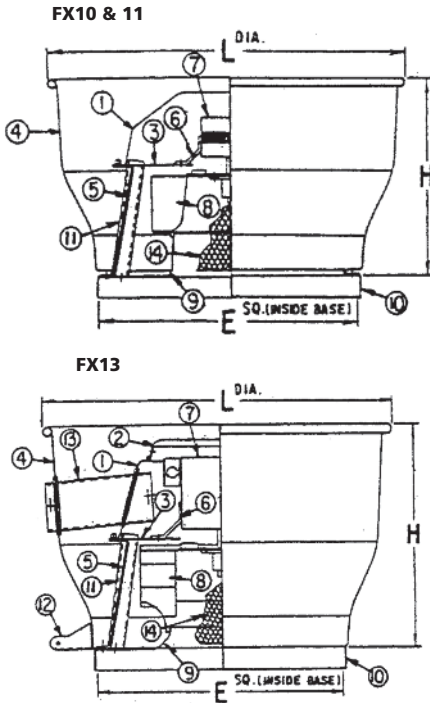


DIRECT DRIVE

FUMEX ROOF MODEL
FX10SR, FX11Q, FX13Q

(See page 36 for Foodservice Models)

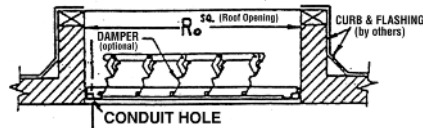
- All roof Fumex list prices include aluminum birdscreen, backdraft damper & wired, polarized disconnect plug.
- Speed control switch optional.
- Standard motor is open drip-proof 115V single phase with internal overload protection.
- UL705 Standard



LEGEND

- | | |
|--------------------------------|--|
| 1. MOTOR DOME | 8. CENTRIFUGAL FAN WHEEL- WITH COOLING VANES |
| 2. MOTOR HOOD TOP (MODEL FX13) | 9. SPUN VENTURI |
| 3. TOP PLATE | 10. MOUNTING BASE |
| 4. DISCHARGE APRON | 11. CONDUIT GUIDE |
| 5. STRUCTURAL SUPPORT BRACES | 12. DRAIN SPOUT (MODEL FX13) |
| 6. MOTOR MOUNTING BRACKETS | 13. COOLING TUBE (MODEL FX13) |
| 7. MOTOR | 14. ALUMINUM BIRD SCREEN |

All dimensions are in inches
* Outside dimension of curb should be 1 1/2" less than "E" dimension.



"Field Curb Built Detail"

FAN CAPACITY—CUBIC FEET PER MINUTE (CFM)

Fan MODEL	Nominal		Tip Speed FPM	0.000" SP		0.125" SP		0.250" SP		0.375" SP		0.500" SP		0.625" SP		0.750" SP		1.000" SP		1.250" SP		
	HP	MAX WATTS		CFM	SONES	CFM	SONES	CFM	SONES	CFM	SONES	CFM	SONES	CFM	SONES	CFM	SONES	CFM	SONES	CFM	SONES	
FX10S	1/12	85	1300	3361	400	3.5	309	3.8	246	4.1	194	4.6	152	5.0	109	5.5	57	6.1				
FX10R	1/12	122	1550	4007	570	6.2	500	6.6	440	6.8	385	6.8	325	6.8	251	6.9	170	7.1				
FX11Q	1/5	255	1725	5024	1034	10.7	959	10.5	883	10.5	804	10.5	722	10.6	631	10.9	538	10.7	313	9.7		
FX13Q	1/4	343	1725	5292	1261	13.6	1198	13.0	1143	12.6	1093	12.1	1033	11.7	973	11.2	909	10.8	757	10.1	515	9.6

LIST PRICES

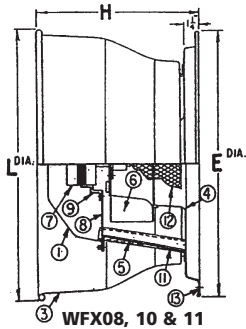
MODEL	HP	RPM	FAN PRICE	VARIABLE SPEED SWITCH*	12" HIGH ROOF CURB
FX 10SR	1/12	1300/1550	\$1268	\$76 (LT30)*	\$338 (17" X 17")
FX 11Q	1/5	1725	\$1640	\$90 (LT50)	\$338 (17" X 17")
FX 13Q	1/4	1725	\$1712	\$90 (LT50)	\$338 (17" X 17")

*Speed switch for high speed only.

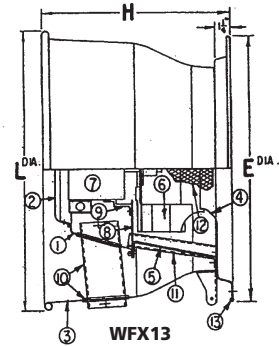


www.pennbarry.com

DIRECT DRIVE



WFX08, 10 & 11



WFX13

LEGEND

1. MOTOR HOOD
2. MOTOR HOOD TOP (Models WFX13 & WFX16)
3. DISCHARGE APRON
4. SPUN VENTURI
5. STRUCTURAL SUPPORT BRACES
6. CENTRIFUGAL FAN WHEEL (With Cooling Vanes)
7. MOTOR
8. TOP PLATE
9. MOTOR MOUNTING BRACKETS
10. COOLING TUBE & GASKETS (Models WFX13 & WFX16)
11. CONDUIT GUIDE
12. ALUMINUM BIRD SCREEN
13. SPUN BEAD MOUNTING FLANGE

FUMEX WALL MODEL
WFX08SR, WFX10SR, WFX11VSR,
WFX11Q, WFX13VSR, WFX13Q

- All wall fumex list prices include aluminum bird-screen, backdraft damper & wired, polarized disconnect plug.
- Speed control switch optional.
- Standard motor is open drip-proof 115V single phase with internal overload protection.
- UL705 Standard.

Model No.	L (Dia)	H	E (Dia)	Wall Opening (W.O.)*
WFX08S/R	25	16 7/8	24	9 x 9
WFX10S/R	25	16 7/8	24	11 1/2 x 11 1/2
WFX11V/S/R & Q	25	16 7/8	24	11 1/2 x 11 1/2
WFX13V/S/R & Q	25 1/2	17 7/8	24	11 1/2 x 11 1/2

* DAMPER SIZE 1/4" LESS THAN WALL OPENING

FAN CAPACITY—CUBIC FEET PER MINUTE (CFM)

Fan Model	Nominal			Tip Speed	0.000" SP		0.125" SP		0.250" SP		0.375" SP		0.500" SP		0.615" SP		0.750" SP		1.000" SP		1.250" SP	
	HP	Max WATTS	RPM	FPM	CFM	SONES	CFM	SONES	CFM	SONES	CFM	SONES	CFM	SONES	CFM	SONES	CFM	SONES	CFM	SONES	CFM	SONES
WFX08S	1/30	44	1300	3361	247	1.3	150	2.0	94	3.2	54	4.3										
WFX08R	1/30	55	1550	4007	288	2.4	205	2.9	154	3.5	112	4.4	72	5.2								
WFX10S	1/12	85	1300	3361	400	3.5	309	3.8	246	4.1	194	4.6	152	5.0	109	5.5	57	6.1				
WFX10R	1/12	122	1550	4007	570	6.2	500	6.6	440	6.8	385	6.8	325	6.8	251	6.9	170	7.1				
WFX11V	1/7	103	1050	3058	406	1.9	225	2.2	151	3.6	119	4.2	87	4.8	57	5.5						
WFX11S	1/7	142	1300	3786	534	3.9	414	4.2	337	5.1	273	5.9	223	6.2	177	6.5	129	6.9				
WFX11R	1/7	199	1550	4514	760	7.6	667	7.4	586	7.6	512	7.9	434	8.9	359	9.6	283	9.6	118	9.7		
WFX11Q	1/5	255	1725	5024	1034	10.7	959	10.5	883	10.5	804	10.5	722	10.6	631	10.9	538	10.7	313	9.7		
WFX13V	1/6	113	1050	3221	640	4.2	469	2.8	317	2.4	250	3.1	197	3.8	149	4.5	106	5.2				
WFX13S	1/6	148	1300	3988	845	7.4	735	6.4	612	5.2	492	5.0	404	5.3	334	5.7	270	6.1	136	7.0		
WFX13R	1/6	188	1550	4755	1057	10.5	980	10.1	908	9.6	825	8.6	733	8.1	646	8.1	561	8.2	376	8.2	144	8.5
WFX13Q	1/4	343	1725	5292	1261	13.6	1198	13.0	1143	12.6	1093	12.1	1033	11.7	973	11.2	909	10.8	757	10.1	515	9.6

LIST PRICES

MODEL	HP	RPM	FAN PRICE	VARIABLE SPEED SWITCH*
WFX08 S/R	1/30	1300/1550	\$1180	\$130 (LT25)
WFX10 S/R	1/12	1300/1550	\$1268	\$76 (LT30)*
WFX11 V/S/R	1/7	1050/1300/1550	\$1516	\$76 (LT30)*
WFX 11Q	1/5	1725	\$1530	\$90 (LT50)
WFX 13 V/S/R	1/6	1050/1300/1550	\$1570	\$76 (LT30)*
WFX 13Q	1/4	1725	\$1580	\$90 (LT50)

*Speed switch for high speed only.



FUMEX FATRAP FOODSERVICE FANS

Fumex fans can be specially configured for food service applications with the addition of a group of accessories that either meets a requirement or eases installation requirements according to NFPA 96. NFPA 96 “Standard for Ventilation Control and Fire Protection of Commercial Cooking Operations” is the generally recognized authority nationwide for restaurant installation requirements. However, local codes may vary.

The special Fumex configuration is called a “Fatrap”. Fatrap configured fans are ideal for use in commercial kitchens over grilles, charcoal broilers, deep fat fryers, steam tables, ranges, dishwashers, and other appliances.

UL 762 LISTING

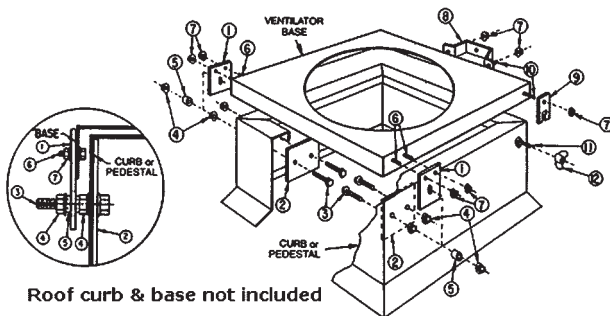
Fatrap configured Fumex fans are listed at 400°F — 100°F higher than UL requirements, and the highest in the industry. The high temperature rating is the result of the fan’s highly efficient forced motor cooling capability.

PRE-WIRED DISCONNECT SWITCH

A weather-proof disconnect switch is factory wired and mounted to the housing exterior. These items meet the code requirements for positive electric shut-off.

GREASE COLLECTOR/SEPARATOR BOX

Designed for easy installation, the grease is routed from a single swiveling collection spout to an amply sized durable galvanized steel box, trapping grease and residue, and avoiding discharge onto the roof surface. Additionally, these boxes separate the water from the grease, prolonging the time required between periodic maintenance.



NFPA-96 HINGE KIT option available for field mounting to most roof curbs.

VENTILATED CURBS AND PEDESTALS

NFPA 96 requires the use of ventilated mounting curbs or pedestals to provide an approved arrangement for connecting a range hood and ductwork to the roof fan for buildings two stories or higher. Penn’s ventilated mounting curbs and pedestals, 18” high, comply with that standard when properly installed. Ventilated pedestals are designed to fit on an existing curb. They provide cap flashing when so installed. Standard stock curbs are 18” high—non-ventilated.

FLOATING HINGE KIT

Kit includes all parts and hardware necessary for field installers to hinge a Fumex fan to a curb or pedestal. This assembly accommodates minor field variations and gasket thicknesses. Hinging is required and facilitates the periodic cleaning required for food service ducts and units.



Penn Ventilation certifies that the Fumex Models are licensed to bear the AMCA Seal. The ratings shown are based on tests and procedures performed in accordance with AMCA Publication 211 and Publication 311 and comply with the requirements of the AMCA Certified Ratings Program.



Penn Fumex exhausters carry the UL label. Check Underwriter’s Laboratories Re-examination Service for specific units listed.

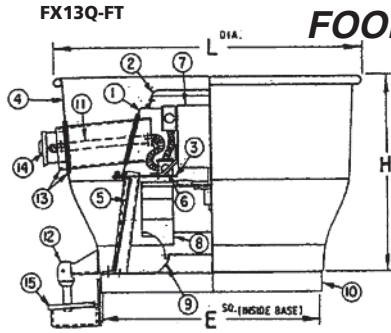


Penn FUMEX exhausters are also certified by the Canadian Standard Association.

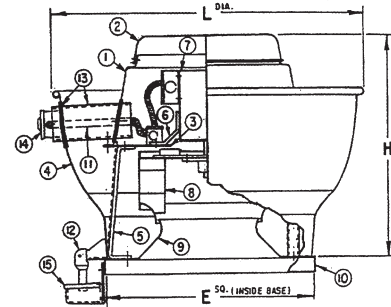




FOODSERVICE FANS - DIRECT DRIVE



FX13Q-FT



FX16Q-FT

LEGEND

- 1. MOTOR HOOD
- 2. MOTOR HOOD TOP
- 3. TOP PLATE
- 4. DISCHARGE APRON
- 5. SUPPORT BRACES
- 6. MOTOR MOUNTING BRACKETS
- 7. MOTOR
- 8. CENTRIFUGAL FAN WHEEL (WITH COOLING VANES)
- 9. SPUN VENTURI
- 10. MOUNTING BASE
- 11. CONDUIT GUIDE
- 12. GREASE DRAIN SPOUT
- 13. COOLING TUBE AND GASKETS
- 14. WEATHER TIGHT DISCONNECT SWITCH
- 15. EXTERIOR GREASE COLLECTION PAN

FUMEX FATRAP
FX13Q-FT, FX16Q1-FT
FX16Q2-FT

- All Fumex Fatrap Fan list prices include NEMA 3R disconnect switch, grease trough and UL762 label
- Standard motor is open drip proof. 115V single phase
- Speed Control switch optional
- Roof curbs are 18" high per NFPA96

MODEL	FX13Q FT	FX16Q FT
L ^{DIA.}	25-1/2	30-1/2
H	16-1/2	22-3/8
E ^{sq.}	18-1/2	20-1/2
Ro ^{sq.}	11-1/2	16-1/4

* Outside dimension of curb should be 1 1/2" less than "E" dimension.

FAN CAPACITY—CUBIC FEET PER MINUTE (CFM)

Fan MODEL	Nominal		Tip Speed FPM	0.000" SP		0.125" SP		0.250" SP		0.375" SP		0.500" SP		0.625" SP		0.750" SP		1.000" SP		1.250" SP		1.500" SP		
	HP	MAX WATTS		CFM	SONES	CFM	SONES	CFM	SONES	CFM	SONES	CFM	SONES	CFM	SONES	CFM	SONES	CFM	SONES	CFM	SONES	CFM	SONES	
FX13Q	1/4	343	1725	5292	1261	13.6	1198	13.0	1143	12.6	1093	12.1	1033	11.7	973	11.2	909	10.8	757	10.1	515	9.6		
FX16Q1	1/2	715	1650	5953	2531	15.2	2432	14.7	2332	14.2	2232	13.7	2114	13.1	1992	12.5	1868	11.9	1582	11.0	1320	11.5	1001	12.1
FX16Q2	3/4	890	1725	6223	2822	17.1	2753	16.8	2684	16.5	2594	16.1	2501	15.7	2418	15.4	2331	15.1	2119	14.2	1872	14.1	1566	14.2

LIST PRICES

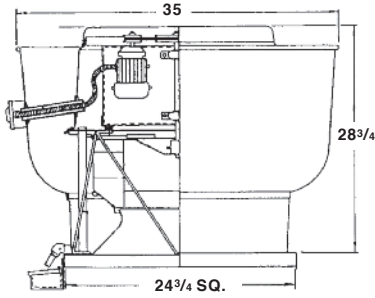
MODEL	HP	RPM	FAN PRICE	VARIABLE SPEED SWITCH*	18" HIGH ROOF CURB
FX13Q FT	1/4	1725	\$2522	\$90 (LT50)	\$440 (17" x 17")
FX16Q1 FT	1/2	1650	\$2670	\$188 (LT40)	\$478 (19" x 19")
FX16Q2 FT	3/4	1725	\$2712	\$270 (LT75)	\$478 (19" x 19")

NFPA96 hinge kit - \$93. See Page 35 for details.



FOODSERVICE FAN

FUMEX FATRAP
MODEL FX13BFT



- All Fumex Fatrap Fan list prices include NEMA 3R disconnect switch, grease trough and UL762 label
- Standard motor is open drip proof. 115V or 115/230V single phase.
- All motors and drives are mounted.
- Roof curbs are 18" high per NFPA96.

* Gal. Steel Base = 16 gauge	Roof Opening = 16-1/4 in (sq)	Peak BHP = (RPM/1751) ³
Alum. Base = 0.064 in	Damper Size = 16 in (sq)	Max. RPM = 2202(1-1/2 HP)
Discharge Apron = 0.064 in	Max. Motor Frame Size = 56	Est. Shipping Weight = 110 lbs

*Standard

HP	RPM	TIP SPEED (FPM)	FAN CAPACITY - CUBIC FEET PER MINUTE (CFM)																				
			0.000" SP		0.250" SP		0.375" SP		0.500" SP		0.625" SP		0.750" SP		0.875" SP		1.000" SP		1.250" SP		1.375" SP		
			Sones	BHP	Sones	BHP	Sones	BHP	Sones	BHP	Sones	BHP	Sones	BHP	Sones	BHP	Sones	BHP	Sones	BHP	Sones	BHP	
FX13BFT 1/2	1255	4518	2195	1998	1895	1782	1639	1458	1152														
	1280	4608	15.4	0.28	14.8	0.32	14.6	0.34	14.2	0.35	13.6	0.36	13.0	0.37	12.5	0.35							
			2239	2046	1945	1835	1701	1535	1292														
	1305	4698	15.7	0.30	15.2	0.34	14.9	0.35	14.6	0.37	14.0	0.38	13.4	0.39	12.9	0.38							
			2282	2094	1994	1889	1762	1606	1401														
	1330	4788	16.1	0.31	15.6	0.36	15.3	0.37	15.0	0.39	14.4	0.40	13.8	0.41	13.2	0.41							
			2326	2142	2044	1942	1823	1676	1493	1130													
	1355	4878	16.3	0.33	15.8	0.38	15.5	0.39	15.2	0.41	14.7	0.42	14.1	0.43	13.5	0.44	13.2	0.41					
			2370	2190	2093	1995	1883	1746	1573	1314													
	1375	4950	16.5	0.35	16.0	0.40	15.7	0.41	15.4	0.43	15.0	0.44	14.4	0.45	13.7	0.46	13.4	0.45					
2405			2228	2132	2037	1931	1796	1636	1413														
1400	5040	16.7	0.37	16.2	0.41	15.9	0.43	15.6	0.45	15.3	0.46	14.7	0.47	14.0	0.48	13.6	0.48						
		2449	2275	2181	2089	1985	1858	1708	1516														
1414	5090	16.9	0.39	16.4	0.43	16.2	0.45	15.9	0.47	15.5	0.49	15.0	0.50	14.3	0.50	13.8	0.51						
		2473	2302	2208	2118	2015	1892	1747	1568														
				17.1	0.40	16.6	0.45	16.3	0.47	16.0	0.48	15.7	0.50	15.2	0.51	14.5	0.52	13.9	0.52				
FX13BFT 3/4	1445	5202	2527	2360	2269	2180	2082	1968	1834	1671													
	1470	5292	17.4	0.43	16.9	0.47	16.6	0.49	16.4	0.51	16.0	0.53	15.6	0.54	15.0	0.55	14.3	0.56					
			2571	2408	2317	2230	2135	2028	1903	1749													
	1495	5382	17.7	0.45	17.2	0.50	16.9	0.52	16.7	0.54	16.3	0.55	15.9	0.57	15.3	0.58	14.6	0.59					
			2615	2455	2366	2280	2188	2088	1965	1821	1341												
	1525	5490	18.0	0.47	17.6	0.52	17.3	0.54	17.0	0.56	16.7	0.58	16.3	0.60	15.7	.60	15.1	0.61	14.4	0.59			
			2667	2511	2424	2339	2251	2156	2039	1906	1521												
	1550	5580	18.5	0.50	18.0	0.55	17.7	0.57	17.4	0.59	17.1	0.61	16.8	0.63	16.2	0.64	15.6	0.65	14.7	0.65			
			2711	2558	2472	2388	2304	2210	1975	1637													
	1575	5670	18.9	0.53	18.4	0.58	18.1	0.60	17.8	0.62	17.6	0.64	17.3	.66	16.7	0.67	16.1	0.68	15.0	0.69			
2755			2604	2520	2437	2356	2264	2160	2043	1731	1455												
1600	5760	19.3	0.55	18.9	0.61	18.6	0.63	18.3	0.65	18.0	0.67	17.7	0.69	17.3	0.70	16.7	0.71	15.3	0.72	15.3	0.70		
		2798	2651	2568	2486	2406	2317	2220	2105	1818	1597												
1623	5842	19.6	0.58	19.2	0.63	18.9	0.66	18.6	0.68	18.3	0.70	18.0	0.72	17.6	0.73	17.0	0.74	15.6	0.76	15.5	0.75		
		2839	2694	2612	2531	2452	2366	2275	2161	1892	1707												
				19.9	0.60	19.4	0.66	19.2	0.68	18.9	0.70	18.6	0.73	18.3	0.74	18.0	0.76	17.3	0.77	16.0	0.79	15.7	0.79

LIST PRICES		
HP	FAN PRICE	23 x 23 x 18H ROOF CURB
1/2	\$3694	\$536
3/4	\$3972	\$536

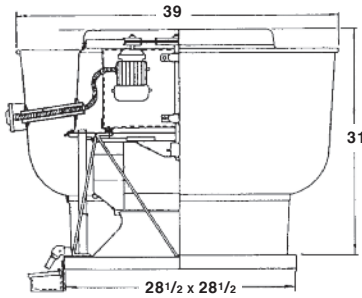
NFPA96 hinge kit - \$93. See Page 35 for details.



www.pennbarry.com

FOODSERVICE FAN

**FUMEX FATRAP MODEL
FX18BFT**



- All Fumex Fatrap Fan list prices include NEMA 3R disconnect switch, grease trough and UL762 label.
- Standard motor is open drip proof. 115V or 115/230V single phase.
- All motors and drives are mounted.
- Roof curbs are 18" high per NFPA96.

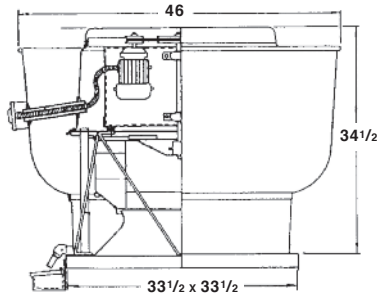
*Gal. Steel Base = 14 gauge	Roof Opening = 20 in (sq)	Peak BHP = (RPM/999) ³
Alum. Base = 0.080 in	Damper Size = 19-3/4 in (sq)	Max. RPM = 1430 (2 HP)
Discharge Apron = 0.064 in	Max. Motor Frame Size = 145T	Est. Shipping Weight = 145 lbs

*Standard

HP	RPM	TIP SPEED (FPM)	FAN CAPACITY - CUBIC FEET PER MINUTE (CFM)																			
			0.000" SP		0.250" SP		0.500" SP		0.625" SP		0.750" SP		1.000" SP		1.250" SP		1.3750" SP		1.500" SP		1.750" SP	
			Sones	BHP	Sones	BHP	Sones	BHP	Sones	BHP	Sones	BHP	Sones	BHP	Sones	BHP	Sones	BHP	Sones	BHP	Sones	BHP
FX18BFT 1/2	600	3181	2976	2345																		
			10.0	0.18	9.0	0.21																
	643	3409	3189	2618																		
			11.1	0.23	10.3	0.26																
	665	3525	3299	2755	1885																	
			11.6	0.25	10.8	0.28	9.8	0.28														
	685	3631	3398	2873	2147																	
			12.0	0.27	11.2	0.31	10.4	0.32														
	700	3711	3472	2961	2279																	
			12.3	0.29	11.7	0.33	10.7	0.35														
FX18BFT 3/4	730	3870	3621	3136	2503																	
			13.2	0.33	12.6	0.37	11.7	0.39														
	760	4029	3770	3309	2716	2328																
			14.2	0.37	13.7	0.42	12.8	0.44	12.3	0.44												
	785	4162	3894	3452	2890	2569																
			15.1	0.41	14.7	0.46	13.9	0.48	13.4	0.49												
	804	4262	3988	3559	3021	2710																
			15.9	0.44	15.5	0.49	14.8	0.52	14.3	0.52												
	FX18BFT 1	840	4453	4167	3759	3261	2968	2640														
				16.7	0.50	16.3	0.56	15.6	0.59	15.1	0.59	14.6	0.59									
870		4612	4316	3922	3454	3179	2891															
			17.2	0.56	16.8	0.61	16.1	0.65	15.6	0.66	15.1	0.66										
900		4771	4464	4084	3643	3385	3108															
FX18BFT 1	924	4899	4584	4212	3794	3548	3279															
			18.3	0.67	17.8	0.73	17.1	0.76	16.6	0.78	16.1	0.79										
	950	5036	4712	4351	3952	3716	3461	2805														
			19.2	0.73	18.7	0.79	18.0	0.83	17.4	0.84	16.9	0.86	15.7	0.84								
	975	5169	4837	4485	4100	3876	3634	3093														
FX18BFT 1	1002	5312	4970	4628	4258	4047	3818	3319														
			21.0	0.85	20.0	0.92	19.9	0.96	19.4	0.98	18.9	1.00	17.7	1.01								

LIST PRICES		
HP	FAN PRICE	27 x 27 x 18H ROOF CURB
1/2	\$4026	\$594
3/4	\$4178	\$594
1	\$4370	\$594

NFPA96 hinge kit - \$93. See Page 35 for details.



**FUMEX FATRAP MODEL
FX24BFT**

- All Fumex Fatrap Fan list prices include NEMA 3R disconnect switch, grease trough and UL762 label.
- Standard motor is open drip proof. 115V or 115/230V single phase.
- Or 208/230/460 three phase tri voltage motor.
- All motors and drives are mounted.
- Roof curbs are 18" high per NFPA96.

*Gal. Steel Base = 14 gauge	Roof Openig = 25 in (sq)	Peak BHP = (RPM/716) ³
Alum. Base = 0.080 in	Damper Size = 24-3/4 in (sq)	Max. RPM = 1360 (5 HP)
Discharge Apron = 0.064 in	Max. Motor Frame Size = 184T	Est. Shipping Weight = 190 lbs

*Standard

HP	RPM	TIP SPEED (FPM)	FAN CAPACITY - CUBIC FEET PER MINUTE (CFM)																					
			0.250" SP		0.500" SP		0.750" SP		1.000" SP		1.250" SP		1.500" SP		1.750" SP		2.000" SP		2.250" SP		2.500" SP			
			Sones	BHP	Sones	BHP	Sones	BHP	Sones	BHP	Sones	BHP	Sones	BHP	Sones	BHP	Sones	BHP	Sones	BHP	Sones	BHP		
FX24BFT 3/4	610	3963	4896	4036																				
	640	4157	14.0	0.60	12.9	0.62																		
			5203	4433	3236																			
			14.9	0.69	14.0	0.72	12.8	0.67																
FX24BFT 1	662	4300	5421	4709	3676																			
			15.5	0.76	14.7	0.79	13.6	0.77																
			5697	5040	4126																			
			16.2	0.85	15.4	0.89	14.3	0.89																
1 1/2	755	4905	5972	5367	4542	3116																		
			16.9	0.95	16.2	1.00	15.1	1.01	13.9	0.88														
			6332	5791	5049	4070																		
			18.2	1.10	17.4	1.16	16.4	1.18	15.3	1.12														
1 1/2	790	5132	6670	6167	5510	4663																		
			19.7	1.25	19.0	1.32	18.1	1.35	16.9	1.33														
			7007	6534	5937	5185	4151																	
			21.0	1.42	19.9	1.49	19.0	1.53	18.0	1.53	16.8	1.43												

LIST PRICES		
HP	FAN PRICE	32 x 32 x 18H ROOF CURB
3/4	\$5744	\$658
1	\$5934	\$658
1.5	\$6044	\$658

*Also available in 3 phase

NFPA96 hinge kit - \$93. See Page 35 for details.



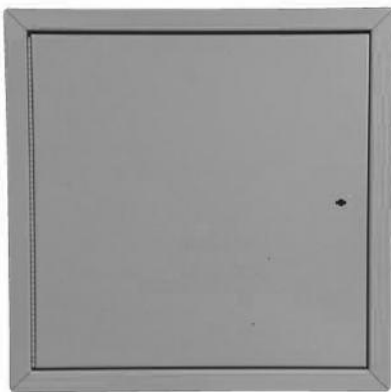
SPECIFICATIONS

- 16 Gauge (1.520 mm) Cold Rolled Steel Frame, 1" Flange
- 14 Gauge (1.900 mm) Cold Rolled Steel Door
- White powder coat finish
- Concealed spring button hinge
- Patent Pending Easy Install Tabs avoid flexing frame
- Flush screwdriver operated cam latch (additional cams provided on panels 18" x 18" and greater in size)

**ALL-PURPOSE ACCESS PANELS
CIERRA B-NTC NON-RATED**

SIZE	LIST PRICE
8 x 8	\$58
10 x 10	\$82
12 x 12	\$66
14 x 14	\$88
16 x 16	\$104
18 x 18	\$114
24 x 24	\$160

- Wall or ceiling
- Rough opening = door size plus 1/4"



SPECIFICATIONS

- 16 Gauge (1.520 mm) Cold Rolled Steel Frame
- 20 Gauge (.912 mm) Cold Rolled Steel Door
- 2" Thick fire rated insulation
- 1" Wide exposed flange
- White powder coat finish
- Flush continuous piano hinge
- Spring door closure
- Frames provided with .25" (6.25mm) mounting holes
- Flush key / metal knurled knob operated lock
- Interior release mechanism

**FIRE-RATED ACCESS PANELS
CIERRA B-ITK INSULATED**

SIZE	LIST PRICE
12 x 12	\$268
18 x 18	\$380
24 x 24	\$466

- Wall
1 1/2 HR. "E" LABEL

- Ceiling
Warnock Hersey

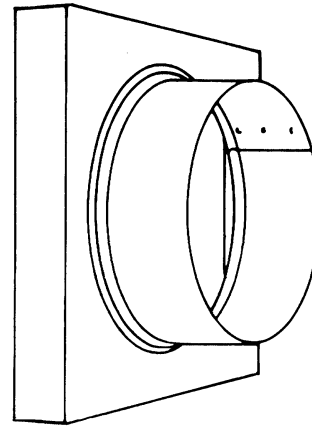


- Rough opening = door size plus 1/4"

Custom panels, doors and hatches available. Call for quote.

TRS SQUARE TO ROUND 3" DEEP

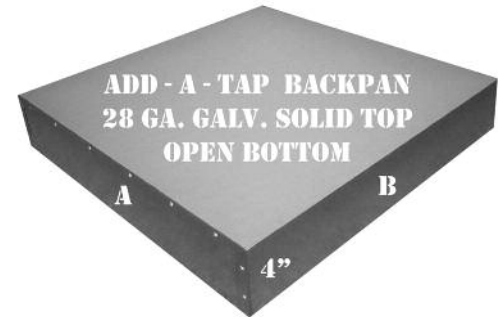
SIZE	LIST PRICES
6 x 6 / 5"	\$22
6 x 6 / 6"	\$22
8 x 8 / 6"	\$24
8 x 8 / 7"	\$24
8 x 8 / 8"	\$24
9 x 9 / 6"	\$28
9 x 9 / 7"	\$28
9 x 9 / 8"	\$28
9 x 9 / 9"	\$28
10 x 10 / 8"	\$30
10 x 10 / 9"	\$30
10 x 10 / 10"	\$30
12 x 12 / 8"	\$34
12 x 12 / 10"	\$34
12 x 12 / 12"	\$34
14 x 14 / 14"	\$40
15 x 15 / 12"	\$44
15 x 15 / 15"	\$44
15 x 15 / 14"	\$44
18 x 18 / 12"	\$48
18 x 18 / 16"	\$48
18 x 18 / 18"	\$48



MODEL TRS

FEATURES:

- Material: 28 GA Galvanized
- 3" Deep Round and Square



**ADD-A-TAP BACK PANS
28 GA. GALVANIZED STEEL**

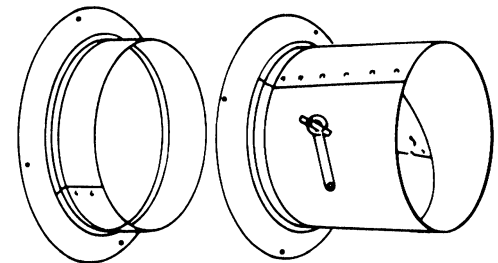
A	B	LIST PRICE
22.25"	22.25"	\$90
20.25"	20.25"	\$82*

*Fits our nominal 20" x 20" filter grilles

AIRTIGHTS (#130) WITH DAMPER (#133)

SIZE	#130 LIST PRICES	#133 LIST PRICES
4"	—	\$27
5"	\$19	\$27
6"	\$20	\$25
7"	\$24	\$33
8"	\$27	\$31
9"	\$33	\$37
10"	\$30	\$40
12"	\$34	\$52
14"	\$41	\$70
16"	\$70	\$104
18"	—	\$128

MODEL #130 & #133



FEATURES:

- Material: 26 GA Galvanized



FLEXIBLE DUCT

SIZE DIA.	INS. R-4.2	INS. R-6.0*	UN-INS.
3"	—	—	\$46
4"	\$50	—	\$50
5"	\$58	—	—
6"	\$64	\$74	\$66
7"	\$70	—	\$76
8"	\$77	\$88	\$86
9"	\$87	—	—
10"	\$96	\$110	\$108
12"	\$120	\$134	\$134
14"	\$144	\$162	\$164
16"	\$168	\$192	\$196
18"	\$190	\$218	\$228
20"	\$232	—	\$280
MODEL	#070	#086	#050
JACKET	GREY	BLACK	ALUM*

FEATURES:

- 25 ft. Lengths in Cartons
- U.L. 181 Class 1 Duct (insulated)
- R Values shown for insulated duct.
- *Triple-ply Metallized Polyester/Alum. Foil
UL 181 Class 1 Air Connector Uninsulated

*R8 Available — Please Call

INSULATED



R-4.2

UNINSULATED



FLEXIBLE TECHNOLOGIES



S-LP-10

FEATURES:

- 25 ft. Lengths in Cartons
- U.L. 181 Class1 Duct Connector
- Rated for 10" w.g. Positive Pressure
- Coated woven fiberglass over coated spring steel helix

HIGH PRESSURE FLEX

SIZE DIA.	PRICE
4"	\$98
5"	\$126
6"	\$158
8"	\$212
10"	\$270
12"	\$324
14"	\$392

ALUMINUM FLEX

SIZE DIA.	PRICE	SIZE DIA.	PRICE
3"	\$14	9"	—
4"	\$18	10"	\$46
5"	\$24	12"	\$68
6"	\$26	14"	\$84
7"	\$32	—	—
8"	\$34	—	—

FEATURES:

- U.L. Class 0 Flexible Duct
- 8 ft. Lengths Compressed to 32"
- Airtight Inner Core



NYLON DUCT STRAPS - PACKAGE OF 50

MAX DIA.	MODEL	PRICE PER 50
10" DIA	CT 36	\$33
14" DIA	CT 48	\$65

MODEL TY-6 LIST PRICE

BAND GUN	\$136
-----------------	--------------



QUICK RELEASE SCREW CLAMPS - 10 PACK

MAX DIA.	MODEL	PRICE PER 10
12" DIA	QR-188PB	\$52
20" DIA	QR-312PB	\$78

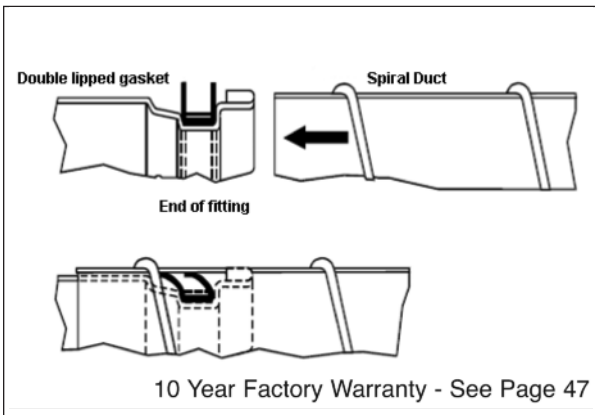
FEATURES:

- Stainless Steel Band & Housing
- Carbon Plated Hex Head Screw





Lindab Safe Galvanized Spiral Duct & Fittings
See P. 47



Lindab Safe® features:

It's tight

- Double lipped, double sealing gaskets
- Lindab Safe out-performs SMACNA's leakage class 3 from -20 In.WG to +12 In.WG
- Lindab Safe is fully functional from -20°F to +212°F
- Factory controlled dimensional tolerances to +0.250%

It's fast

- Just slip components together and secure with sheet metal screws. No caulking, no taping
- Seals tight the first time
- Weather independent installation
- Mass produced fittings with rolled edges for effortless installation and added strength

It's good looking

- No unsightly duct sealer. Great for concealed jobs, ideal for exposed installations

It's inexpensive

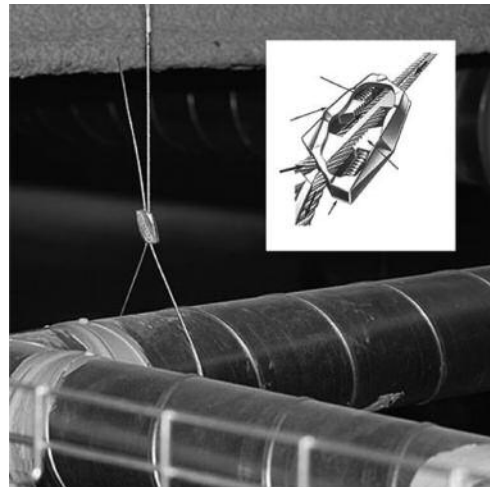
- Lindab Safe installs up to 30% faster than traditional duct work, a clear cut savings
- Efficient high quality mass production reduces unit costs

Gripple Fastener



Gripple® Hang-fast®: Two part suspension system comprising a length of galvanized steel cable pre-cut to length with installed loop (aluminum ferrule) at one end plus a Gripple fastener for quick height adjustment. Hex key supplied to temporarily unlock Gripple for lowering. Other metals and weight ratings available on special order.

UL Listed and SMACNA acceptable hanger.



MODEL	LENGTH	WEIGHT RATING*	LIST PRICE (10 PACK)
HF2-LG-5FT	5FT	100LB (#2)	\$138
HF2-LG-10FT	10FT	100LB (#2)	\$166
HF2-LG-15FT	15FT	100LB (#2)	\$194
HF2-LG-30FT	30FT	100LB (#2)	\$280
HF3-LG-5FT	5FT	200LB (#3)	\$170
HF3-LG-10FT	10FT	200LB (#3)	\$204
HF3-LG-15FT	15FT	200LB (#3)	\$234
HF3-LG-30FT	30FT	200LB (#3)	\$338

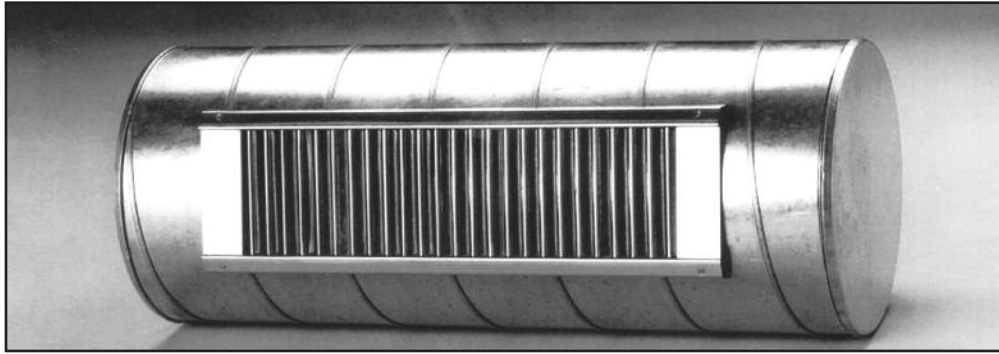
*Static indoor loads **only**. Refer to catalog for complete specifications. Do not paint Gripple (covers available). Do not use on coated cable. Do not use to lift. Do not use over swimming pools.



#HFT Tensioning tool \$180



#HFWR Wire Rope Cutter \$60



MODEL RGS3

The RGS-3 supply register is designed with flanges and gasketing for direct mounting onto a spiral duct regardless of diameter. No saddle or tap is required. Galvanized construction with adjustable double deflection blades and adjustable extractor type damper

MODEL RGS3				
REGISTER NOM SIZE (IN)	MIN. DUCT DIAMETER (IN)	CFM	DUCT OPENING A x B (IN)	LIST PRICE
13 x 3	6	170	12 3/4 x 3	\$120
17 x 3	6	200	16 3/4 x 3	\$136
21 x 3	6	230	20 5/8 x 3	\$148
25 x 3	6	280	24 5/8 x 3	\$166
33 x 3	6	320	32 1/2 x 3	\$206
13 x 6	12	280	12 3/4 x 6	\$142
17 x 6	12	320	16 3/4 x 6	\$170
21 x 6	12	370	20 5/8 x 6	\$190
25 x 6	12	450	24 5/8 x 6	\$232
33 x 6	12	520	32 1/2 x 6	\$280
13 x 9	20	370	12 3/4 x 8 7/8	\$158
17 x 9	20	440	16 3/4 x 8 7/8	\$180
21 x 9	20	520	20 5/8 x 8 7/8	\$198
25 x 9	20	590	24 5/8 x 8 7/8	\$244
33 x 9	20	720	32 1/2 x 8 7/8	\$304



ROUND DUCT ACCESS DOORS

METAL THICKNESSES

for the galvanized doors are as follows:

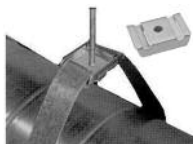
Door Size	Thickness of Steel
10 x 6	22 ga.
16 x 12	20 ga.

CELLULAR SPONGE GASKET,

fixed to the inner plate keeps the doors free of leaks at pressures tested to 20" w.g.

DOOR SIZES AVAILABLE

SIZE	LIST PRICE	DIA.
10 X 6	\$114	6", 7", 8", 9", 10", 12", 14", 16"
16 X 12	\$184	18", 20", 22", 24"



Ward 1" wide Strap Hanger Buckle \$6 each

 BSU 90/BSFU 90-1.5xD CL elbow (BSU/BU 2 piece stamped 3"-12") (BSFU/BFU 5/4 piece gored 14"-50")	 BU 60/BFU 60-1.0xD CL elbow (BU 2 piece stamped 3"-12") (BFU 3 piece gored 14"-50")	 BU 45/BSFU 45-1.5xD CL elbow (BSU/BU 2 piece stamped 3"-12") (BSFU/BFU 3 piece gored 14"-50")	 BU 30/BFU 30-1.0xD CL elbow (BU 2 piece stamped 3"-12") (BFU 2 piece gored 14"-50")	 BU 15/BFU 15-1.0xD CL elbow (BU 2 piece stamped 3"-12") (BFU 2 piece gored 14"-50")
 RCU Concentric 1 pc. stamped reducer (fitting size on both ends)	 RCFU Concentric 1 pc. stamped reducer (duct size on large end, fitting size on small end)	 RCLU Concentric fabricated long reducer (fitting size on both ends)	 RCLFU Concentric fabricated long reducer (duct size on large end, fitting size on small end)	 RLU Eccentric fabricated long reducer (fitting size on both ends)
 PSU 90° Saddle tap	 TSTCU Expanded base saddle tap	 TBSRU Boot style saddle tap	 PSVU 45 45° Lateral saddle tap	 TBSU Boot style tap (for mounting on rectangular duct or plenum)
 TCPU 90° Tee	 TCU Expanded base 90° Tee	 TBU Boot style 90° Tee	 TVU 45 45° Lateral Tee	 YVU 45 45° Y-branch
 ESU End cap for duct	 EPF End cap for fittings	 EPFH End cap with handle for fittings	 MF Fitting-to-fitting coupling	 NPU Duct-to-duct coupling
 ILRU Bellmouth takeoff (for mounting on rectangular duct or plenum)	 ILU Straight takeoff (for mounting on rectangular duct or plenum)	<p>S = Stock</p> <p>Call for prices on custom register saddles. Also available Lindab Model RGS registers (pg. 45). Pre-installed in spiral pipe (or loose)</p>		 SR Spiral lockseam duct
				 DSU -Balancing damper

SELF SEALING SPIRAL ROUND DUCT SYSTEM

Lindab Safe® SELF SEALING SPIRAL DUCT SYSTEM* (PATENTED DOUBLE LIPPED)

SPIRAL DUCT AND FITTINGS											LIST PRICES
SIZE DIA	S DUCT 10 FT SR	E90 90° Elbow BSU90	E45 45° Elbow BSU45	ER45 45° Elbow BU45	TS TEE TCPU	DS Vol DAMP DSU	ED End Cap ESU	CD Coupling PIPE NPU	CF Coupling FITTING MF	PR Bellmouth ILRU	
3"	\$96	\$68	—	\$44	\$92	—	\$21	\$20	\$12	—	
4"	\$96	\$68	—	\$44	\$104	\$122	\$26	\$20	\$12	\$30	
5"	\$134	\$78	—	\$54	\$124	\$136	\$29	\$22	\$13	\$34	
6"	\$134	\$78	—	\$54	\$126	\$136	\$30	\$24	\$13	\$34	
7"	\$154	\$118	—	\$66	\$140	\$150	\$32	\$28	\$16	\$34	
8"	\$154	\$118	—	\$66	\$148	\$150	\$32	\$28	\$16	\$39	
9"	\$198	\$176	—	\$92	\$178	\$182	\$34	\$34	\$22	\$44	
10"	\$198	\$176	—	\$92	\$216	\$182	\$40	\$36	\$22	\$48	
12"	\$238	\$212	—	\$116	\$280	\$210	\$46	\$48	\$28	\$76	
14"	\$296	\$296	\$188	—	\$332	\$270	\$60	\$62	\$32	\$102	
16"	\$408	\$384	\$230	—	\$410	\$318	\$84	\$66	\$36	\$120	
18"	\$446	\$494	\$268	—	\$480	\$338	\$106	\$74	\$42	\$68 ⁺	
20"	\$486	\$592	\$304	—	\$554	\$378	\$126	\$80	\$46	\$74 ⁺	
22"	\$540	\$668	\$372	—	\$628	\$448	\$144	\$112	\$48	\$96 ⁺	
24"	\$598	\$818	\$422	—	\$732	\$496	\$176	\$122	\$52	\$108 ⁺	
26"	\$636	—	\$484	—	—	—	—	\$132	—	\$112 ⁺	

NOTE: 8" to 26" Dia. SR Duct is corrugated for strength.
NOTE: Fittings 14" Dia. and above are fabricated. See Pg. 46.

- SEE PAGE 45 FOR REGISTERS AND ACCESS DOORS
- SEE PAGE 44 FOR HANGERS

*Model ILU Straight Tap



Unless otherwise noted, the gauge for all ductwork will be constructed in accordance with the latest SMACNA HVAC Duct Construction Standard to +10 in. wg.

Lindab's spiral duct is certified by Air Movement and Control Association International, Inc. (AMCA) for air duct leakage

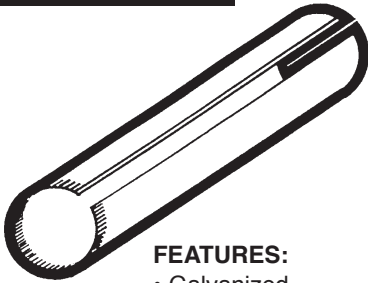
Lindab Safe® PRODUCTS AND SYSTEMS CARRY A 10 YEAR FACTORY WARRANTY

MODEL RCU & RCLU REDUCER		LIST PRICES
LARGE END DIA.	SMALL END DIA.	PRICE
4"	3"	\$40
5"	4"	\$46
6"	5", 4"	\$54
7"	6"	\$58
8"	7", 6"	\$68
9"	8"	\$74
10"	9", 8", 6"	\$84
12"	10", 8", 6"	\$98
14"	12", 10", 8"	\$116
16"	14", 12", 10", 8"	\$142
18"	16", 14", 12"	\$236
20"	18", 16", 14"	\$264
22"	20", 18", 16"	\$327
24"	22", 20", 18"	\$354
26"	24"	\$362

MODEL PSU SADDLE TAPS		LIST PRICES
MAIN DUCT DIA.	BRANCH DIA.	PRICE
6", 7", 8"	4"	\$58
7", 8", 9", 10", 12", 14", 18"	6"	\$68
9", 10", 12", 14", 16"	8"	\$72
10", 12", 14", 16", 18", 20", 22", 24"	10"	\$76
12", 14", 16", 18", 20", 22", 24"	12"	\$98
14", 16"	14"	\$104
18", 20", 22", 24"	14"	\$190
18", 20", 22", 24"	16"	\$122
20"	18"	\$264
22", 24"	18"	\$280

*Visit website or call for complete warranty information.

ROUND PIPE

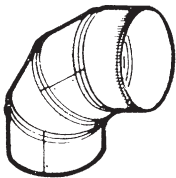


FEATURES:

- Galvanized
- Crimped end
- 60" Length Standard

ROUND PIPE		LIST PRICES	
SIZE DIA.	5 FT/30 GA	5 FT/26 GA	
3"	—	—	
4"	\$24	\$27	
5"	\$25	\$25	
6"	\$23	\$33	
7"	\$29	\$40	
8"	\$36	\$47	
9"	—	\$66	
10"	—	\$56	
12"	—	\$64	
14"	—	\$78	
16"	—	\$160	
18"	—	\$216 (24 GA)	

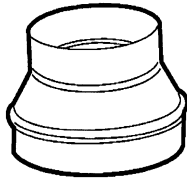
#48 90° ELBOW



ALL FITTINGS AND CAPS ARE GALVANIZED UNLESS NOTED OTHERWISE.

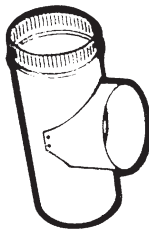
MODEL #48 ADJUSTABLE 90° ELBOW			LIST PRICES	
SIZE DIA.	PRICE 30 GA	PRICE 26 GA	SIZE DIA.	PRICE 26 GA
3"	\$9	—	9"	\$32
4"	\$8	\$9	10"	\$22
5"	\$9	\$14	12"	\$29
6"	\$7	\$12	14"	\$38
7"	\$10	\$12	16"	\$84
8"	\$12	\$16	18" (24 GA)	\$190

#85 REDUCER

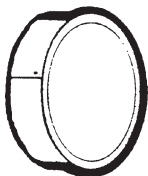


MODEL #85 REDUCERS		LIST PRICES	
SIZE	PRICE	SIZE	PRICE
4 / 3	\$16	9 / 8	\$22
5 / 4	\$20	10 / 6	\$30
6 / 4	\$16	10 / 8	\$28
6 / 5	\$16	10 / 9	\$30
		12 / 6	\$37
		12 / 8	\$37
7 / 5	\$18	12 / 10	\$33
7 / 6	\$18	14 / 12	\$38
8 / 6	\$20	16 / 12	\$70
8 / 7	\$20	16 / 14	\$70

#80 TEE JOINT



#86 ROUND CAP



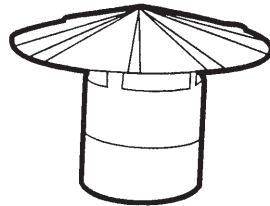
MODEL #86 TEE CAP		LIST PRICES	
SIZE DIA.	PRICE	SIZE DIA.	PRICE
3"	\$22	8"	\$27
4"	\$20	10"	\$34
5"	\$22	12"	\$35
6"	\$23	14"	\$54
7"	\$24	—	—

MODEL #80 TEE JOINT		LIST PRICES	
SIZE DIA.	PRICE	SIZE DIA.	PRICE
3"	\$28	8"	\$58
4"	\$42	10"	\$96
5"	\$42	12"	\$140
6"	\$45	14"	\$174
7"	\$58	—	—

MODEL #96 CHIMNEY CAP

SIZE DIA.	LIST PRICES
3"	\$21
4"	\$22
5"	\$23
6"	\$25
8"	\$40
10"	\$144
12"	\$158

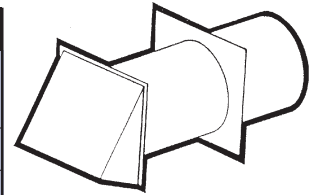
#96 CHIMNEY CAP



#90 WALL VENT

WALL CAP ALUMINUM #90

SIZE DIA.	LIST PRICES
3"	\$38
4"	\$50
6" (GALV)	\$80
8" (GALV)	\$88

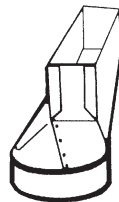


ALL FITTINGS AND CAPS ARE GALVANIZED UNLESS NOTED OTHERWISE.

#23 STRAIGHT BOOT

MODEL #23 STRAIGHT BOOT

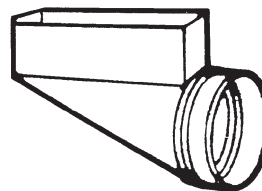
SIZE	LIST PRICES
10 x 4 x 6	\$15
10 x 6 x 6	\$21
12 x 4 x 6	\$17
12 x 6 x 6	\$21
14 x 4 x 6	\$24



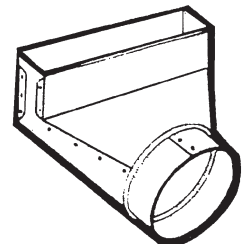
MODEL #22 & 21 END/ELBOW BOOTS LIST PRICES

SIZE	END	ELL
10 x 4 x 6	\$15	\$15
10 x 6 x 6	\$20	\$20
12 x 4 x 6	\$17	\$17
12 x 6 x 6	\$21	\$21
14 x 4 x 6	\$24	—

#22 END BOOT



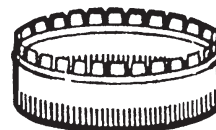
#21 ELBOW BOOT



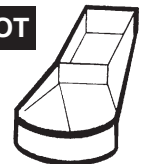
MODEL #43 A COLLARS

SIZE DIA.	LIST PRICE	SIZE DIA.	LIST PRICES
3"	\$6	8"	\$10
4"	\$7	9"	\$11
5"	\$7	10"	\$11
6"	\$8	12"	\$14
7"	\$9	14"	\$15

#43 A COLLAR



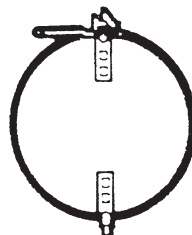
#28 STR BOOT



MODEL #87 ROUND DAMPER AND QUADRANT WITH BEARING

SIZE DIA.	LIST PRICES
4" & 5"	\$12
6" & 7"	\$13
8"	\$18
10"	\$25
12"	\$26
14"	\$36

#87 ROUND DAMPER AND QUADRANT



MODEL #28 STR. STACK BOOT

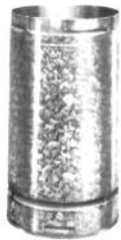
SIZE	LIST PRICES
10 x 3 1/4 x 4 (ZT-Z6)*	\$16
10 x 3 1/4 x 6 (ZT-Z6)*	\$16
8 x 6 x 8 (Z8, 81, Z10)*	\$44

*TRANSITION TO ROUND FOR ZEPHYR EXHAUST FANS SEE PAGES 17 AND 22

B VENT



GAS VENT



Listed 441



FEATURES of Atmospheric Gas Vent:

- Material:
 - Inner wall aluminum alloy
 - Outer wall galvanized steel
- Surelock® locking system 3" to 6" dia.
- Positive twist lock assembly.
- U.L. Listed 441
- All sizes shown are I.D.
- 1" Clearance to combustibles.
- Hemmed outer and inner liners.
- Overlaps 1.5" when joined together.
- For Category 1 Gas Appliances.
- Maximum Temperature 530° F
- 14" dia and larger available
call for quote and availability.

PIPE ID DIA.	LENGTH						PIPE OD DIA
	12"	18"	2'	3'	4'	5'	
3"	\$21	\$25	\$32	\$44	\$53	\$66	3.5"
3" ADJ	\$27	\$35	--	--	--	--	4.5"
4"	\$25	\$30	\$38	\$50	\$66	\$78	
4" ADJ	\$30	\$38	--	--	--	--	5.5"
5"	\$30	\$36	\$46	\$60	\$78	\$94	
5" ADJ	\$36	\$42	--	--	--	--	6.5"
6"	\$32	\$41	\$54	\$69	\$90	\$108	
6" ADJ	\$39	\$50	--	--	--	--	8"
7"	\$43	\$56	\$78	\$102	\$132	\$158	
7" ADJ	\$48	\$70	--	--	--	--	9"
8"	\$50	\$66	\$84	\$112	\$148	\$180	
8" ADJ	\$52	\$72	--	--	--	--	11"
10"	\$126	\$146	\$176	\$218	\$280	\$350	
10" ADJ	\$128	\$154	--	--	--	--	13"
12"	\$200	\$206	\$254	\$310	--	--	
12" ADJ	\$206	\$224	--	--	--	--	

B-FLEX UL LISTED FLEXIBLE B-VENT AVAILABLE IN 3", 4", 5" DIA.
PLEASE CALL FOR A QUOTE

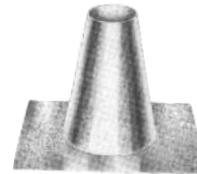
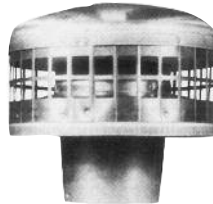
M45 45° ELBOW*

MHCP VENT CAP 3" - 6"

MC VENT CAP 7" - 12"

MFT TALL CONE FLASHING

MT STANDARD TEE



DIA.	FITTINGS						LIST PRICES	
	M45*	M90	MC	MF	MFT	MSC	MT	
3"	\$37	\$56	\$30	\$23	\$36	\$6	\$76*	
4"	\$42	\$66	\$34	\$26	\$41	\$6	\$84*	
5"	\$46	\$78	\$46	\$36	\$53	\$13	\$99*	
6"	\$58	\$94	\$59	\$50	\$68	\$14	\$114*	
7"	\$78	\$136	\$78	\$62	\$76	\$16	\$124	
8"	\$82	\$144	\$98	\$64	\$82	\$17	\$140	
10"	\$208	--	\$214	\$90	\$112	\$20	\$372	
12"	\$272	--	\$290	\$108	\$130	\$22	\$460	

*Adjustable from 0° to 60° in sizes 3" to 6" diameter.

* Swivel Type Tee
(Reducing type available - call for quote)

M90 90° ELBOW



Adjustable to 8" diameter

2/12 TO 5/12 MF STANDARD FLASHING



MSC STORM COLLAR



**NOTE: CORR/GUARD CONDENSING APPLIANCE FLUE VENT
AVAILABLE ON SPECIAL ORDER**

STATIONARY LOUVER

STATIONARY LOUVER	
OPENING SIZE	PRICE
12 x 12	\$216
18 x 12	\$268
18 x 18	\$352
24 x 12	\$300
24 x 18	\$386
24 x 24	\$442
30 x 30	\$658
36 x 36	\$780



FEATURES:

- 4.19" Deep Exterior Wall Louver
- Exterior Side Flanged 1.5" Wide
- .081 Extruded Aluminum
- Mill Finish
- Removeable Framed Birdscreen on Rear
- Certified Intake Ratings: Water Penetration Starting Above 1250 FPM **Free Area Velocity**

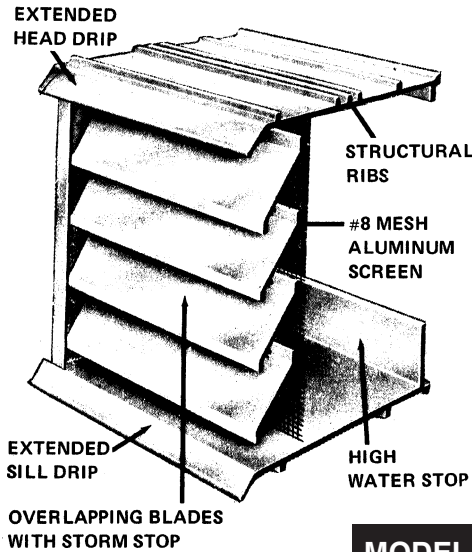


LOUVERS

W x H Dimensions are approx. 1/4" under listed size

MODEL FL-D-4

BRICK VENT



MODEL BVE

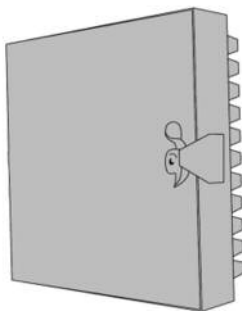
FEATURES:

- Extruded Aluminum
- Insect Screen
- Clear Anodized
- Model BVE
- Block/Brick Standard Sizes
- 4" Deep

BRICK VENTS		
MODEL	SIZE	PRICE
BVE825	8.125 x 2.375	\$90
BVE847	8.125 x 4.75	\$116
BVE808	8.125 x 7.75	\$156
BVE125	12 x 4.75	\$152
BVE128	12 x 7.75	\$182
BVE1212	12 x 11.75	\$230
BVE164*	16.5 x 4.75	\$174*
BVE168*	16.5 x 7.75	\$212*

* For Penn Zephyr ceiling fan exhaust- see p. 19

DUCT DOOR



FEATURES:

- 1" Insulated Double Panel
- Galvanized Steel
- Neoprene Gasketed
- Hinged with Cam-lock
- C.L. Ward # FDGA

DUCT ACCESS DOORS	
SIZE*	LIST PRICES
6 x 6	\$42
8 x 8	\$48
10 x 10	\$52
12 x 12	\$62
14 x 14	\$72
16 x 16	\$106
18 x 18	\$110
20 x 20	\$124
24 x 24	\$156

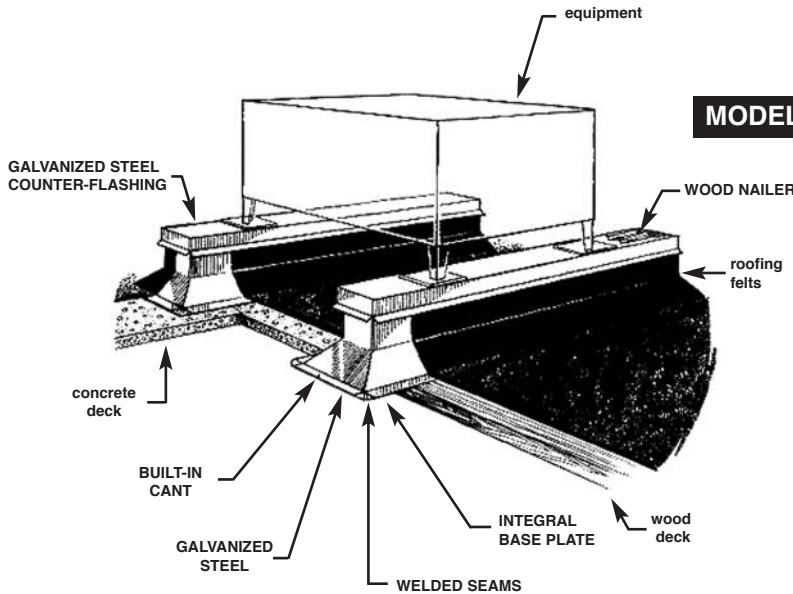
* For Duct Opening Deduct 3/4"

RPS EQ. SUPPORTS	LIST PRICE
36" Long Equipment Rail	\$380
72" Long Equipment Rail	\$760

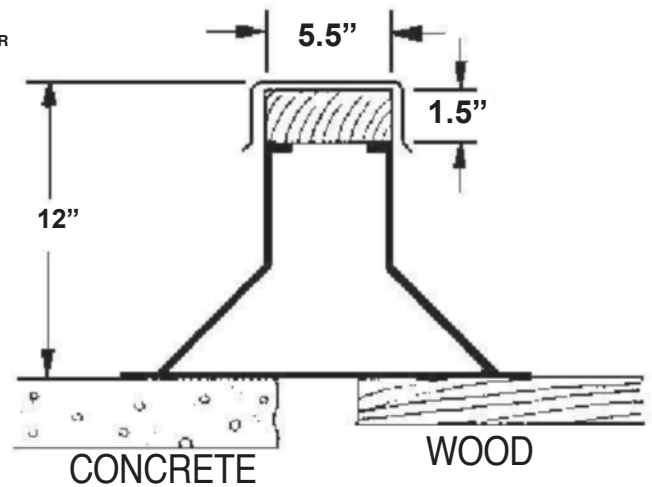
SEE PAGE 53 FOR ROOF CURBS AND PIPE PORTALS

FEATURES:

- 18 Ga. Galvanized steel
- Galvanized top cap
- 2" x 6" Nailer
- Continuously welded seams
- Base plate 13 5/8" wide
- 72" long model reinforced
- 600 LBS/FT max Loading



MODEL ER3A



CONTACT US FOR CUSTOM ROOF CURBS, ADAPTERS, RAILS, TRANSITION CURBS, PORTALS & PEDESTALS.

BACKDRAFT DAMPER



FEATURES:

- Extruded Aluminum .060" Frame
- Formed Aluminum .032" Blades
- EPDM Blade Seals, nylon bushings
- Rated at 1,800 fpm. 1.5" w.g., 180F

UNITED ENERTECH MODEL CB-600

SIZE	LIST PRICES
8 x 8	\$98
10 x 10	\$122
12 x 12	\$122
14 x 14	\$156
16 x 16	\$156
18 x 18	\$208
20 x 20	\$208
24 x 24	\$260

W and H Dimensions undersized approx. 1/4"

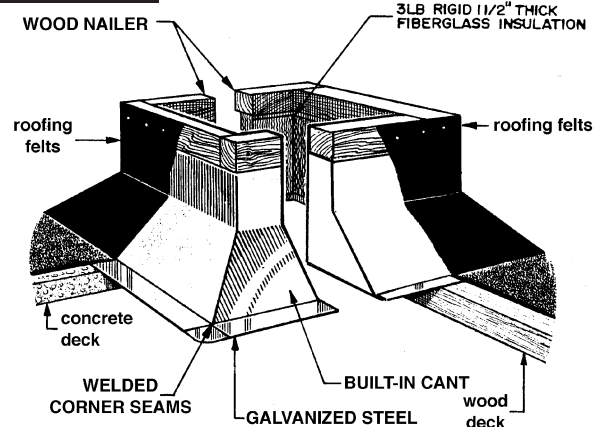
For more United Enertech products see Page 51 for Louvers & Brick Vents and Pages 12 & 13 for Fire Dampers and Ceiling Radiation Dampers

MODEL RC3A		LIST PRICES
TOP O.D.	HEIGHT	PRICE
12 x 12	8" **	\$208
12 x 12	14"	\$272
14 x 14	14"	\$296
16 x 16	14"	\$318
17 x 17	14"	\$338
17 x 17	18" *	\$440
19 x 19	14"	\$360
19 x 19	18"	\$478
21 x 21	14"	\$382
23 x 23	14"	\$404
23 x 23	18" *	\$536
25 x 25	14"	\$426
27.5 x 12	8" **	\$300
27 x 27	14"	\$448
27 x 27	18" *	\$594
32 x 32	14"	\$498
32 x 32	18" *	\$658
35 x 35	14"	\$548
40 x 40	14"	\$602
43 x 43	14"	\$646

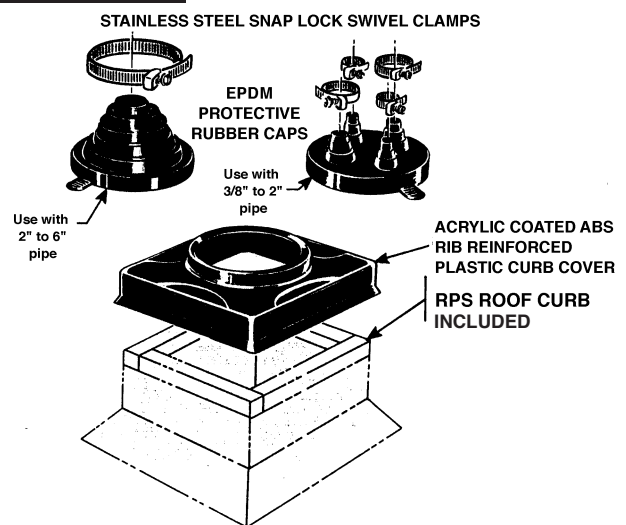
- Features:** *Food Service **Fits Pipe Portal
- Materials: 18 GA. Galvanized Steel Welded
 - 1-1/2", 3LB Density Rigid Insulation
 - Built-in Cant
 - 1-1/2" Wood Nailer

SEE PAGE 52 FOR ROOF EQUIPMENT SUPPORT RAILS

MODEL RC3A



PIPE PORTAL



*For new installations- (Retrofit type available-call for info).

RPS ROOF PIPE PORTALS				LIST PRICES
MODEL	CURB	ABS COVER	EPDM CAPS	SS CLAMPS
SINGLE CAP	\$208	\$126	\$90	S-\$9 M/L-\$26
DOUBLE CAP	\$300	\$308	\$90 (X2)	S-\$9 M/L-\$26

Add roof curb + cover + clamp(s) to complete portal system.

- Features:**
- Prefab Curb 8" High
 - EPDM Rubber Cap
 - ABS Reinforced Cover
 - S/S Snaplock Swivel Clamps
- Other multiple cap models available - Call for quotation.

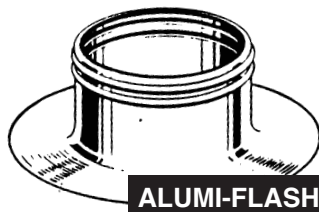
EPDM CAPS

- #N18 CAP**
for four 3/8" thru 1" pipes
- #N21 CAP**
for four 1" thru 2" pipes
- #N28 CAP**
for two 3/8" thru 1" pipes
& for two 1" thru 2" pipes
- #N62 CAP**
for one 2" thru 6" pipe

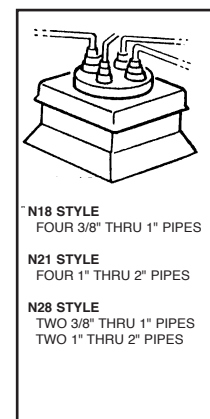
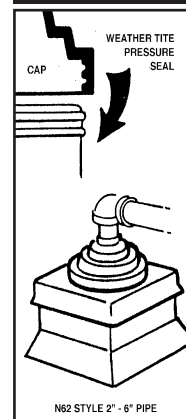
RPS ALUMI-FLASH PORTAL			LIST PRICES
MODEL	CURB	EPDM CAPS	SS CLAMPS
ALUMI-FLASH	\$166	\$90	S-\$9 M/L-\$26

Add base + cap + clamp(s) to complete portal system

- Features:**
- .060 Spun Aluminum 4" High Base
 - EPDM Rubber Cap
 - S/S Snaplock Swivel Clamps



EPDM CAPS



TAPE



DUCT SEALER

Tubes are standard 11 oz. caulking type

DUCT SEALANTS		LIST PRICES
ITEM	TUBES	GALLONS
IRON GRIP IG-601	\$11	\$79
SURE GRIP 404	\$11	\$76
PT301-24 CLEAR	\$14	—
PT302-H-24 RED	\$16	—

Carlisle FEATURES:

- RED: High Temperature 100% Silicone Compliance: NSF
- CLEAR: Multi-Purpose 100% Silicone Compliance: USDA

DUCT SEALANT	LIST PRICE
ITEM	GALLONS
VERSA GRIP VG-102	\$54

VERSA GRIP VG-102 FEATURES:

- Indoor/Outdoor, Water Based
- UV Inhibitors
- Leed V4 Compliant
- UL 181A-M and UL181B-M

HARDCAST PEEL-N-SEAL TAPE		
ITEM	SIZE	LIST PRICE
AFT-701	3" x 50 ft	\$58
1403-181BFX	3" x 100 ft	\$92
1602	3' x 50 ft	\$40

FEATURES:

AFT-701

- Foil Backed Indoor/Outdoor Sealant Tape
- Suitable for Subgrade PVC Coated Duct
- Rated to 10" wg.
- Joint Sealer on a Roll

#1403-181BFX

- Foil Backed Indoor/Outdoor Sealant Tape
- UL 181B-FX
- Suitable for Subgrade PVC Coated Duct
- Joint Sealer on a Roll

#1602

- All-Purpose Sealant Tape
- Polyester Backed
- Rated to 10" wg.
- Joint Sealer on a Roll

DUCT TAPE SHURTAPE			
ITEM	TYPE	SIZE	PRICE
PC621	Grey	1.88 in. x 60.1 yds.	\$26
SF682	Silver	1.88 in. x 60.1 yds.	\$30
SF682	Silver	2.83 in. x 60.1 yds.	\$46
AF975	Alum Foil	1.88 in. x 50.3 yds.	\$22
AF975	Alum Foil	2.83 in. x 50.3 yds.	\$33
AF984	Alum Foil Reinforced	2.83 in. x 50.3 yds.	\$33

IRON GRIP 601 FEATURES:

- Indoor/Outdoor, Water-Based, Vinyl Acrylic Duct Sealant
- Compliance: UL 94PF, UL17NF, USDA, EPA, FDA, NSF, U.S. Coast Guard
- Non Flammable



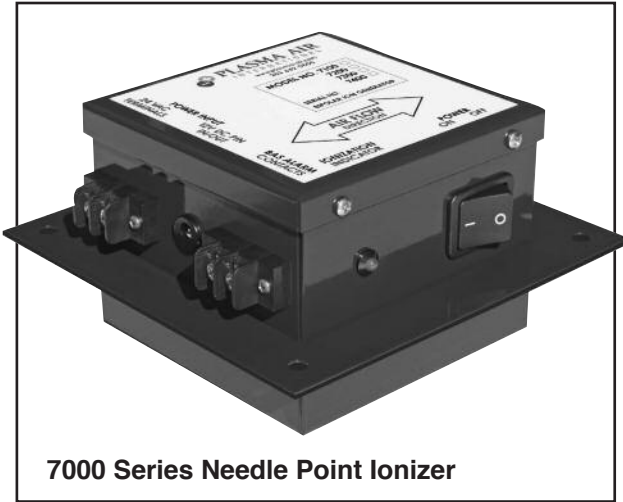
SURE GRIP 404 FEATURES:

- Indoor/Outdoor, Solvent-Based, Duct Sealant
- Compliance: UL 294U, UL 1818-M
- Flammable Liquid and Vapor. Keep Away from open flame.
- Review MSDS for complete safety information prior to use.



2" Disposable Paint Brushes
\$1.70 Each





7000 Series Needle Point Ionizer

The **Plasma Air 7000 Series Model 7401** is a needlepoint type ionizer producing an equal amount of positive and negative ions. The unit can be installed in metal duct utilizing the pre-drilled flange and factory applied gaskets. The contractor makes a duct cut out and secures the unit with self-tapping sheet metal screws. The ionization output protrudes 1½" inches into the duct to clear any duct liner. The unit can also be installed inside an HVAC unit utilizing a contractor supplied mounting bracket. The ionization needles are recessed to avoid electric shock, dust buildup and premature failure. The ionization unit can directly accept power from either 24V AC fan control circuit or a 12V DC pin from a power supply. 230/120v available on special order.

MODEL	CFM	LIST PRICE
7401	Up to 6,000	\$2,600
602/603	Up to 2,400	\$760



3 1/8" x 1 1/4" x 1"

MODEL 602 (24V) & 603 (120V)

The **Plasma Air PA600 series** are needle point brush type ionizers producing an equal amount of positive and negative ions neutralizing harmful pollutants and odors. This self balancing unit is highly versatile as it may be installed at the fan inlet of an air handling unit, fan coil unit, PTAC, heat pump and a VRF ductless split system.

- **Odor Neutralization**
Odorous gases oxidize on contact with active oxygen ions. Odors, especially of an organic origin, are quickly eliminated.
- **Chemical and VOC Control**
Many chemical compounds and VOCs, such as those present in building materials, furniture, office equipment, cleaning agents and paint are neutralized by breaking down their molecular structures into carbon dioxide (CO₂) and water (H₂O).
- **Cleaning Air While Conserving Energy**
Airbourne pollutants and odors are eliminated without requiring dilution through outside air intake, thereby saving energy costs. HEPA filters, which restrict airflow especially when dirty, are not required.
- **Sterilization of Mold and Bacteria**
Oxygen ions inhibit the growth of mold and cause the reduction of bacteria by penetrating the cell's split zone preventing cell division. **Kills viruses, including Covid-19!**

Tube Type Bi-Polar Ionization Air Purifiers (Add Base Unit Plus Tube Price)

MODEL	SERVES UP TO	TUBE LENGTH	BASE UNIT ONLY	TUBE PRICE	AFS-MF AIR FLOW SWITCH
100C	2000 SQ. FT.	7"	\$1420	\$298 (TUBE C)	\$280
100D	2500 SQ. FT.	9.5"	\$1420	\$321 (TUBE D)	\$280
100E	3000 SQ. FT.	14"	\$1420	\$344 (TUBE E)	\$280

Voltage: 120V
Energy Use: 8 watts
No. of Tubes: 1
Tube Size: C/D/E
Capacity: up to 3,000 cfm

Application: In duct unit for smaller central HVAC systems. Ideal for homes, office buildings, hospitals, classrooms, conference rooms, restaurants, nursing homes, and child-care facilities.
UL LISTED



Tube life is 8800 hours.

In duct units for larger central HVAC systems available. Call for quote.

CAMBRIDGE ENGINEERING

**Ultra High Efficiency Space Heater
Direct Gas Fired 100% Outside Air**



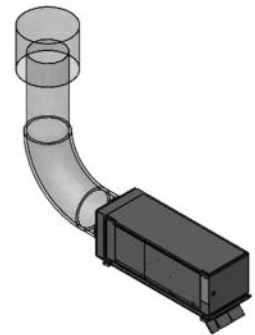
CAPACITY:	250 MBH NATURAL GAS
POWER	115 V. /1 PH. 1/2HP 12.3 FLA
BASE UNIT SIZE	55" L X 21" W X 21.25"H
BASE UNIT WEIGHT	200 LBS.
INLET SIZE	22" X 22" (16" Dia. for Under Roof & Thru Wall-Spiral)
OUTLET SIZE	Two Directional Elbows

Model #SA250

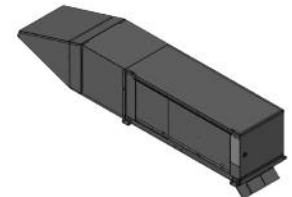
MODEL	LIST PRICE
#SA250 BASE UNIT HEATER	\$9240
UNDER ROOF KIT*	\$216
THRU WALL KIT	\$740
THRU WALL-SPIRAL KIT*	\$760
ROOF TOP KIT*	\$1700
ROOM THERMOSTAT-PROGRAMMABLE	\$224
*Insulated Spiral duct & fittings and roof curb & roof cap by others.	

FEATURES:

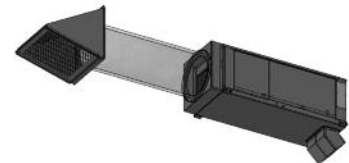
- Ultra-High Efficiency 92/100%
- 1200 CFM (10 to 1 discharge induction ratio)
- 100% OA Direct Fired Technology
- Improves IAQ with fresh air
- CSA Certified to ANSI Z-83.4
- Pre-piped and pre-wired compact package
- Thermally protected ODP motor with Integral motor starter
- Entering air thermostat and low temp cutoff
- EDL Gas controls; IRI & Factory Mutual Insurance controls
- Discharge temperature dial in heater
- Gray powder coated insulated cabinet with lifting lugs
- The industry's best warranty package includes 2 years on the heater and 5 years on the stainless Cambridge burner



UNDER ROOF KIT
(CALL FOR DW SPIRAL, CURB, AND ROOF INTAKE QUOTE)



THRU WALL KIT



THRU WALL-SPIRAL KIT
(CALL FOR DW SPIRAL QUOTE)



ROOF TOP KIT





We're Engineering Air...®

MANUFACTURERS
Stock & Direct Ship



FACTORY AUTHORIZED STOCKING REPRESENTATIVES SINCE 1980

AIR DISTRIBUTION PRODUCTS



Spiral Duct & Fittings



Commercial Air Distribution Products



Fabric Duct Systems



Commercial
Acoustics

Sound Control Products

HEATING PRODUCTS



Prefab Commercial Chimney



Enriching Lives

VENTILATION PRODUCTS



Fans & Blowers



Louvers & Dampers



Roof Curbs, Rails & Portals



Ceiling Fans



CO and Fume Exhaust

AIR PURIFICATION PRODUCTS



Positive Air Quality - Negative Energy Costs

Bipolar Ionization Generators

RELATED HVAC PRODUCTS



Atco. Working Together.
Doing It Right.
Flexible Duct



Snap-Lock Pipe & Fittings



Always right there.

Access Doors



DUCT SEALANTS & INSULATION ADHESIVES

Duct Sealer



Hand Punch



TRUE TO YOUR WORK
Duct Tapes



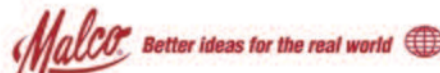
Duct Access Doors



Air Device Accessories



Suspension Hardware



Better ideas for the real world
Sheet Metal Hand Tools

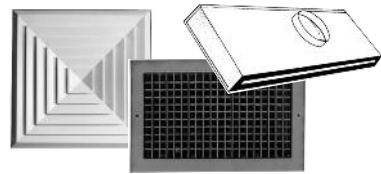


WE'RE ENGINEERING AIR...
8997 A Yellow Brick Road, Baltimore, MD 21237

Order Online 24/7 www.engineeringair.com
Phone: 410-574-9200 Fax: 410-574-0089

Waldron of Maryland, Inc.
8997 A Yellow Brick Road
Baltimore, MD 21237

PRSR STD
U.S. Postage
Paid
Baltimore MD
Permit #848



Registers, Grilles & Diffusers



Ductwork



Fans



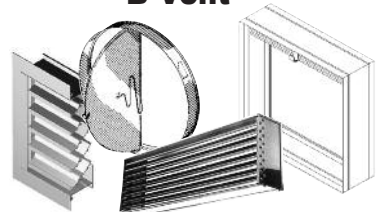
Roof Products



Access Products



B-Vent



Louvers & Dampers



Air Terminals



Air Purification

ORDER ONLINE 24/7 www.engineeringair.com



8997 A Yellow Brick Road
Baltimore, MD 21237
Phone: 410-574-9200
Toll Free: 1-800-466-3828
Fax: 410-574-0089
www.engineeringair.com
email: info@waldronofmd.com

Google map



HOURS (Mon - Thur/Fri)
8am - 5pm/4pm Warehouse: 7am - 5pm/4pm

**CUSTOMER PICK-UP,
LOCAL DELIVERY,
COMMON CARRIER,
FEDERAL EXPRESS,
UPS GROUND & AIR
AVAILABLE**



Text WALDRON to 22828 to join our Email List

