



User's Manual

KKS B K2 APU Mini ITX Case



Hardware Compatibility

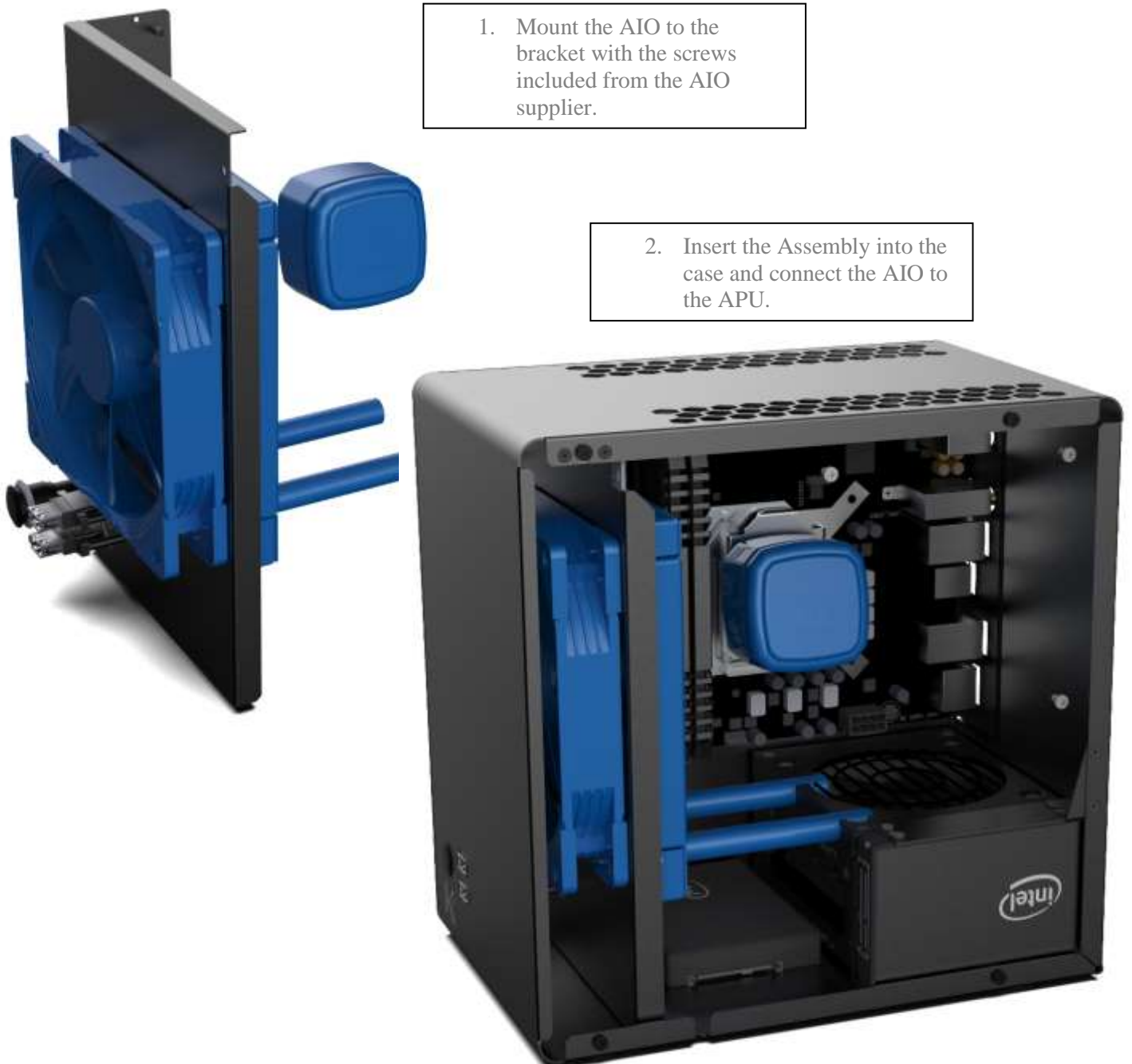
Graphics Card

Since this is an APU case no GPUs are compatible with the case unless you modify yourself.

AIO Water Cooler

You can either use up to 120mm water cooler radiator. Mount the fan and radiator to the front bracket with the screws included in your AIO watercooler purchase.

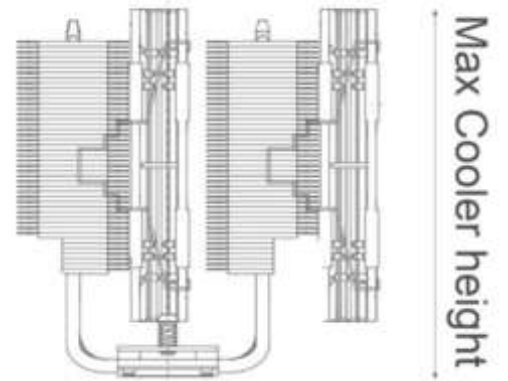
Normally AIO water cooling systems are delivered including fan from the supplier. If not, 120mm fans are supported but not included in the case.



Air Cooler

Max air cooler height is 130 mm

120mm fans are supported but not included in the case. The fan is not always necessary but we recommend it for better cooling performance.



Power Supply

The power supply of the standard SFX is supported. Use the PSU suppliers' screws for the mounting with the case.

Max PSU length:

If not mounted SSD on the cable side of the PSU): 125mm

With mounted SSD on the cable side of the PSU): 100mm



Motherboard

The motherboard type of Mini-ITX is supported.

The case is specifically designed for APU Processors.

Mini ITX

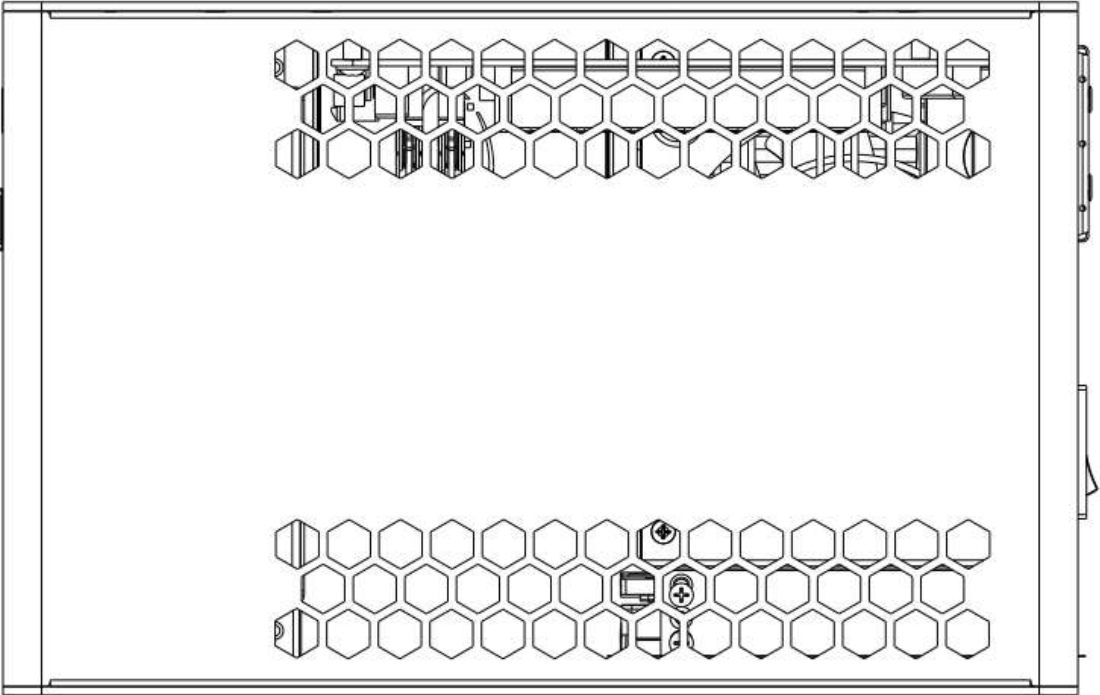
170 mm x 170 mm



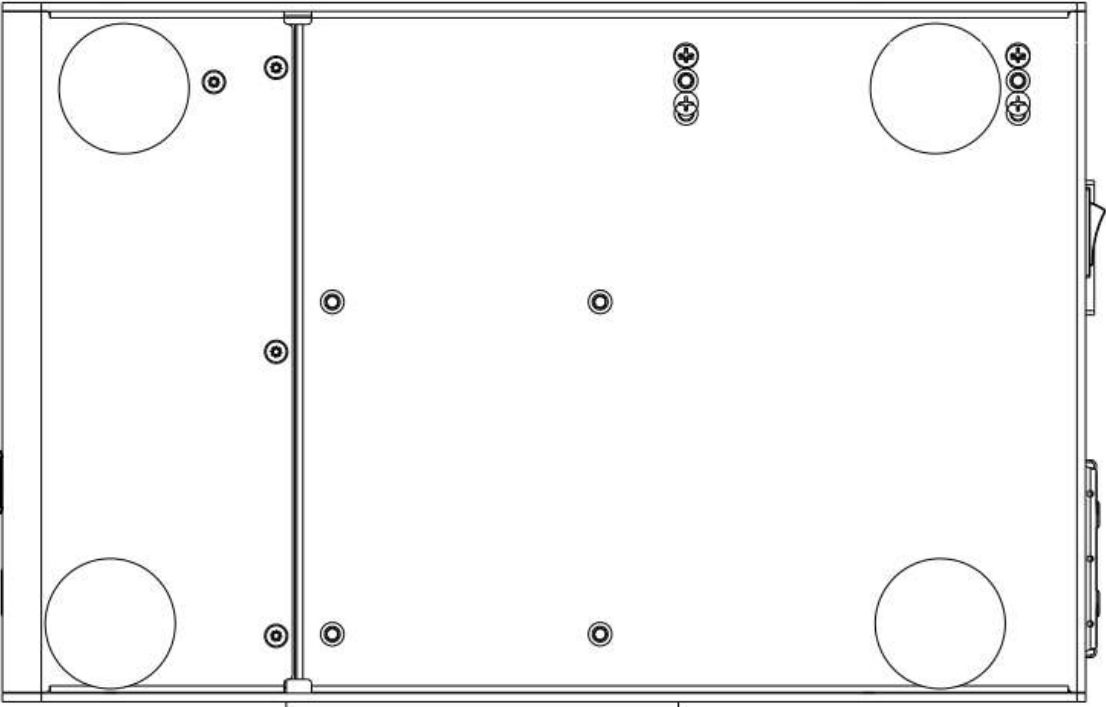
Technical details in summary

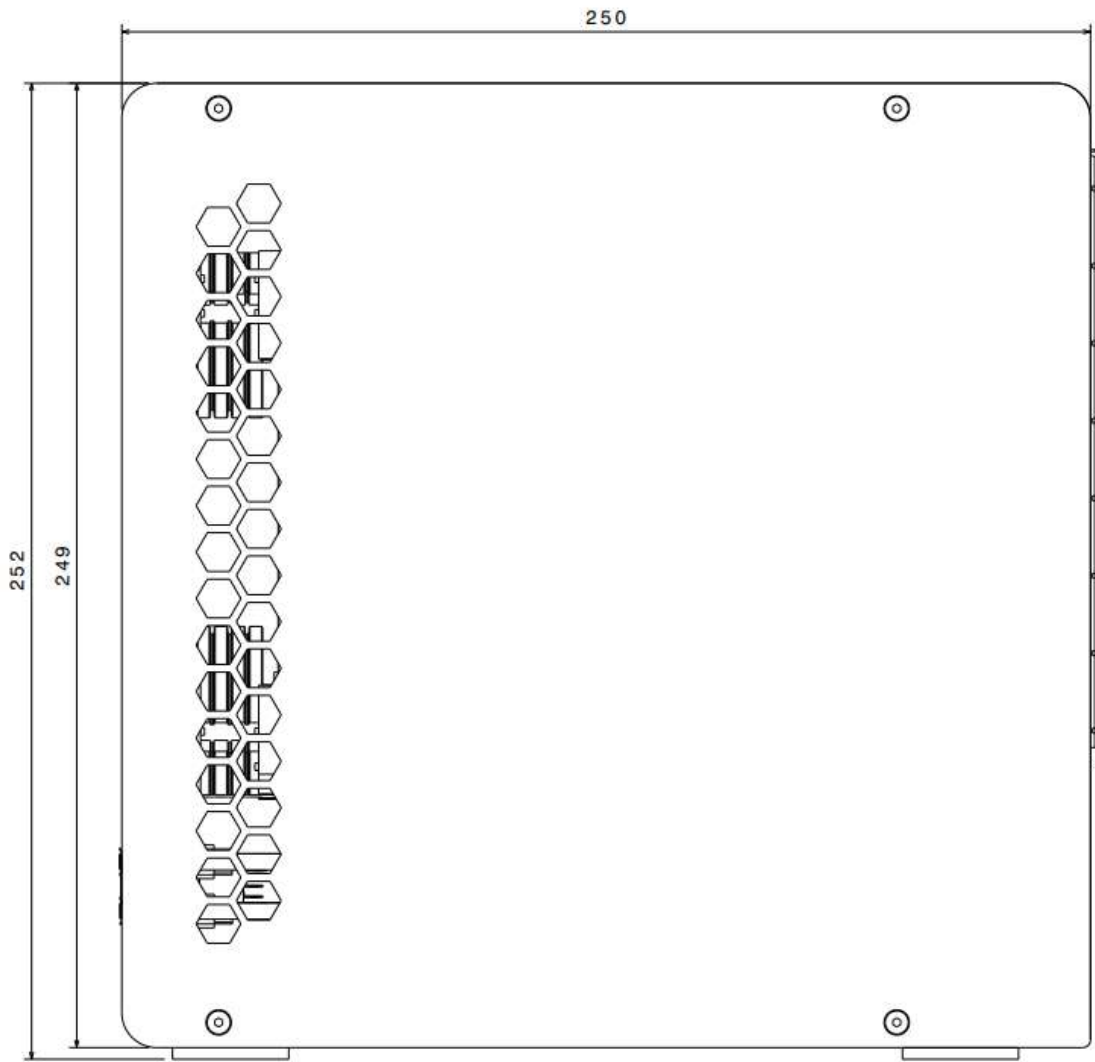
- Exterior dimensions: 161mm x 250mm x 249mm
- Max air cooler height is 130 mm
- AIO Water Cooler
Use up to 120mm water cooler radiator
- Compatible with 120mm front fan
- Material: Aluminum & High-Grade Steel
- Form Factor: Mini-ITX with APU Processor
- Storage: up to 4 pcs 2.5 " SSD
- Power supply: SFX (max 125mm height) or SFX (max 100mm height)
- 2 Pcs USB 3.0 are located in the front I/O together with the start button.

Drawings

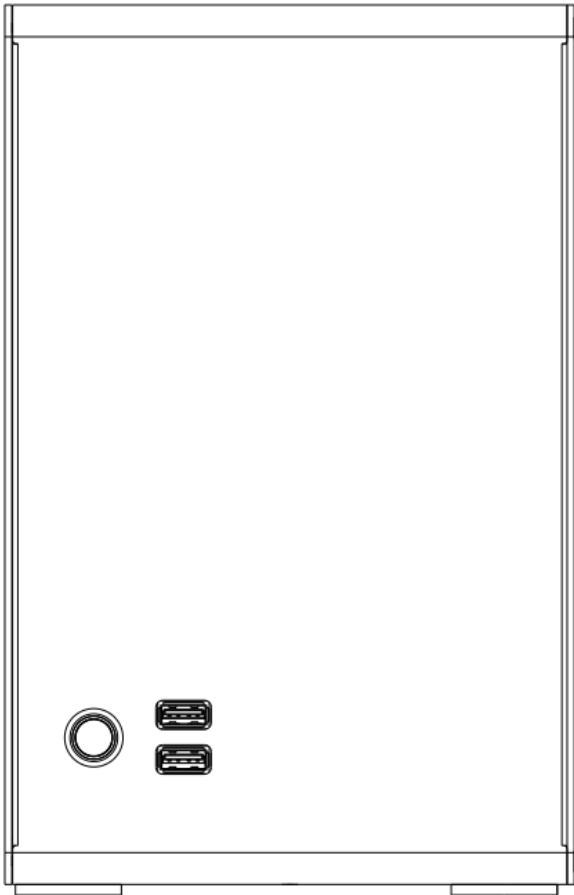


Top View

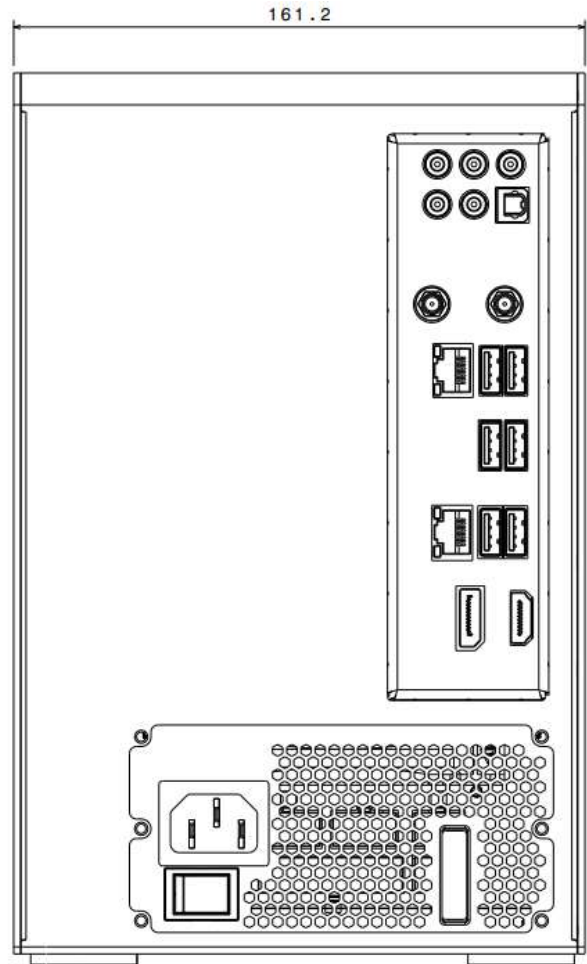




Side View



Front View



Right view

All instructions & information can be found at: <https://kksb-cases.com/>