

Hydraulic Bottle Jacks

Stock Numbers:

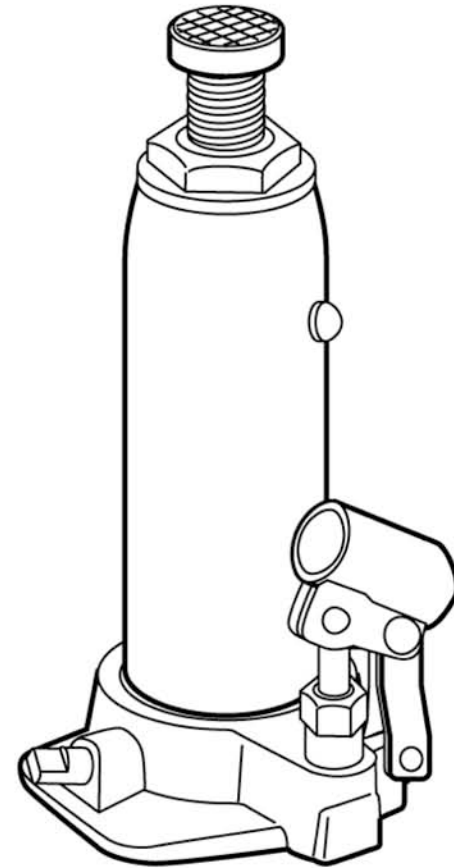
W1621 - 2 Ton Bottle Jack

W1623 - 4 Ton Bottle Jack

W1625 - 6 Ton Bottle Jack

W1628 - 8 Ton Bottle Jack

OWNER'S MANUAL



LIMITED WARRANTY

PERFORMANCE TOOL extends only the following warranties, and only to original retail purchasers. These warranties give specific legal rights. Except where prohibited by local law, the law of the State of Washington governs all warranties and all exclusions and limitations of warranties and remedies. There may be other rights which vary from state to state.

PERFORMANCE TOOL warrants the product to be free from defects in materials and workmanship under normal use and service. A defective product may be returned for a free replacement within 90 days from the date of purchase, provided that product is returned to place of purchase immediately after discovery of defect. After 90 days and up to 1 year from date of purchase, PERFORMANCE TOOL will replace at no charge any parts which our examination shall disclose to be defective and under warranty. These warranties shall be valid only when a sales receipt showing the date of purchase accompanies the defective product or defective part(s) being returned. For part(s) after 90 days, please remit your request, postage prepaid to: PERFORMANCE TOOL, P.O. Box 24086 Seattle, WA 98124

These warranties exclude blades, bits, punches, dies, bulbs, fuses, and other consumables which must be replaced under normal use and service. These warranties shall not apply to any product or part which is used for a purpose for which it is not designed, or which has been repaired or altered in any way so as to affect adversely its performance or reliability, nor shall these warranties apply to any product or part which has been subject to misuse, neglect, accident or wear and tear incident to normal use and service.

PERFORMANCE TOOL does not authorize any other person to make any warranty or to assume any liability in connection with its products.

Except for warranties of title and the limited express warranties set forth above, PERFORMANCE TOOL makes no express or implied warranties of any kind with respect to its products. In particular, PERFORMANCE TOOL makes no implied warranty of merchantability and no implied warranty of fitness for any particular purpose, except that for goods purchased primarily for personal, family or household use and not for commercial or business use, PERFORMANCE TOOL makes an implied warranty of merchantability (and, if otherwise applicable, an implied warranty of fitness for a particular purpose), but only for the particular qualities or characteristics, and for the duration, expressly warranted above. The laws on limitation of implied warranties may differ from state to state, so the above limitations may not apply in all cases.

PERFORMANCE TOOL shall not be liable for consequential, incidental or special damages resulting from or in any manner related to any product, or to the design, use, or any inability to use the product. The sole and exclusive remedy for a defective product or part shall be the repair, or replacement thereof as provided above. The laws on limitation of remedies or on consequential, incidental or special damages may vary from state to state, so the above limitations may not apply in all cases.

Copyright © 1999 PERFORMANCE TOOL – All rights reserved

FOR YOUR SAFETY,
please read these instructions carefully and retain them for future use.

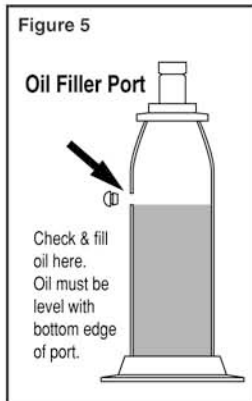
**Performance
Tool®**

TROUBLESHOOTING

Your Performance Tool hydraulic jack was constructed with quality materials and workmanship and will give you many years of trouble free use when cared for as described in the "Care & Maintenance" section on page 3. However, as with any mechanical device, periodic adjustments are necessary to maintain a peak level of performance. Should your jack be displaying any of the following symptoms, the simple procedures shown below will correct the problem.

WARNING - Remove jack from service before making adjustments

Will not lift load	●	●	●
Will not hold load			●
Will not lift to full height	●	●	
Pump feels "spongy" under load	●	●	
Handle raises under load			●
Handle lowers under load			●
	Power unit may be low on fluid. With jack on level surface and in down position, remove filler plug and add clean hydraulic jack fluid to level of filler hole.	Power unit may be airbound. Open the release valve a minimum of 2 full turns. Pump the handle a minimum of 20 full strokes to purge air from the system.	Valves may not be closing completely. To seat valves: a.) Close release valve. b.) With jack in fully lowered position, manually raise ram/extension screw Assy. as high as possible. c.) Open release valve and allow jack to descend to lowered position.



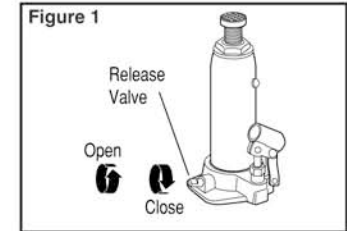
NOTE:

Problems listed above with more than one solution may have a combination of causes. Please be sure that all solutions listed for each problem have been checked to eliminate possibility of further trouble. Sometimes solutions may need to be repeated for best results.

OPERATION

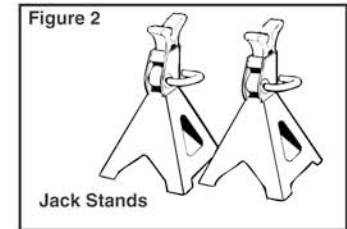
Before using your jack:

Place pump handle over release valve and turn counter-clockwise to open. Pump jack about 6 full strokes to ensure complete distribution of hydraulic fluid. (See Figure 1)



To raise:

Refer to vehicle owner's manual for proper jacking procedures. Lift only on areas of vehicle as specified by manufacturer. Make certain that load is centered on saddle. Place pump handle over release valve and turn clockwise to close. Insert handle into handle socket and pump to raise load to desired height. **ALWAYS** support load with jack stands. (See figure 2)

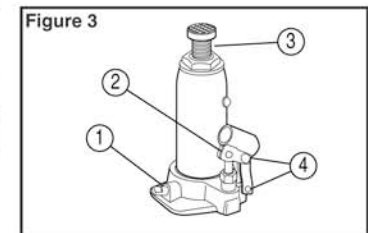


To lower:

Raise load enough to remove jack stands. **SLOWLY** turn release valve counter-clockwise just enough to allow controlled descent. (Never turn more than 3 full turns)

CARE & MAINTENANCE

1. When jack is not in use, ram and pump piston should be in fully down position to keep their machined surfaces free from corrosion.
2. Keep jack clean and well lubricated at points illustrated in figure 3.
3. For best results, use only hydraulic fluid with a rating of SAE 10 for refills. Check fluid level with jack in fully down position. Fluid level should be up to bottom of oil fill port. (See figure 5)
4. Regularly check for loose, worn or damaged parts. Any jack that appears damaged in any way must be removed from service.
5. Replace worn or damaged parts with Performance Tool replacement parts. Be sure that only qualified personnel perform repairs.



SPECIFICATIONS

Specifications are subject to change without notice

W1621 Capacity:..... 4,000 lbs.
 Low Height:..... 7-1/8"
 Max. Height:..... 13-1/2"
 Hydraulic Lift:..... 4-1/5"
 Screw Extension:..... 1-7/8"

W1623 Capacity:..... 8,000 lbs.
 Low Height:..... 7-5/8"
 Max. Height:..... 14-5/8"
 Hydraulic Lift:..... 4-5/8"
 Screw Extension:..... 2-3/8"

W1625 Capacity:..... 12,000 lbs.
 Low Height:..... 8-1/2"
 Max. Height:..... 16-1/4"
 Hydraulic Lift:..... 5"
 Screw Extension:..... 2-3/4"

W1628 Capacity:..... 16,000 lbs.
 Low Height:..... 9"
 Max. Height:..... 17-7/8"
 Hydraulic Lift:..... 5-3/4"
 Screw Extension:..... 3-1/8"

IMPORTANT SAFETY INFORMATION

Read these safety warnings before operation.

WARNING!

Failure to heed these warnings may result in loss of load, damage to jack, and/or jack failure resulting in personal injury or property damage.

WARNING!

This is a lifting device only. Load must be supported immediately by Jack Stands.

Do not overload jack beyond rated capacity. Overloading can cause damage to or failure of the jack.

REFER TO YOUR VEHICLE OWNERS MANUAL FOR PROPER JACKING PROCEDURES. Lift only on areas of the vehicle as specified by the vehicle manufacturer.

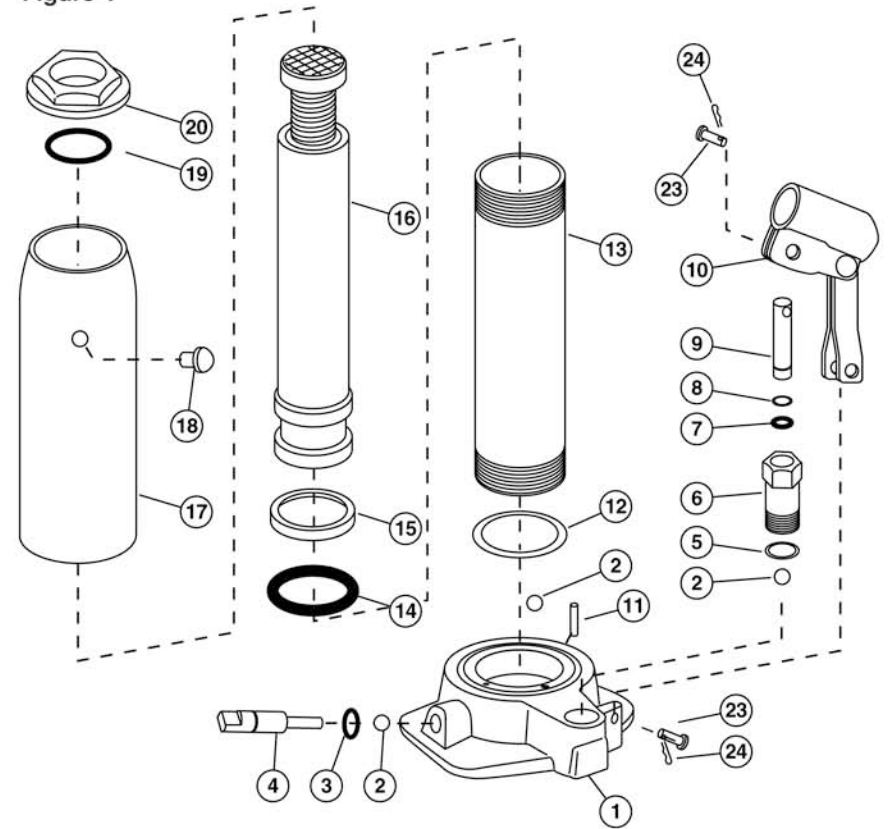
This jack is designed for use only on hard level surfaces capable of sustaining the load. Use of jack on other than hard level surfaces can result in jack instability and possible loss of load.

Be sure all personnel are clear of load before lowering load.

Ensure that no personnel pass underneath load until load is securely supported by jack stands.

REPLACEMENT PARTS

Figure 4



Parts List

Part #	Description	Qty.	Part #	Description	Qty.
1 W16 -1	Hydraulic Unit Body	1	12 W16 -12	Cylinder Seal*	1
2 W16 -2	6 mm Steel Ball*	3	13 W16 -13	Cylinder	1
3 W16 -3	Release Valve O-Ring*	1	14 W16 -14	O-Ring*	1
4 W16 -4	Release Valve*	1	15 W16 -15	O-Ring Retainer*	1
5 W16 -5	Flat Washer*	1	16 W16 -16	Ram Assy. w/Ext. Screw	1
6 W16 -6	Pump Cylinder	1	17 W16 -17	Reservoir	1
7 W16 -7	Pump Piston O-Ring*	1	18 W16 -18	Oil Filler Plug*	1
8 W16 -8	Pump Piston Back-up Ring*	1	19 W16 -19	O-Ring*	1
9 W16 -9	Pump Piston*	1	20 W16 -20	Top Nut	1
10 W16 -10	Handle Socket Assembly	1	21 W16 -21	Pump Handle Set	1 Set
11 W16 -11	Filter Screen*	1			

All replacement part numbers above are preceded by the bottle jack part number needing parts (ie, W1621-1, W1623-13, W1625-6, etc.)

*Included in Repair Kit, stock number W1621CK, W1623CK, W1625CK and W1628CK