



03-05 R6/R6S SB Tail Hardware Kit Mounting

1. Drill two 1/4" holes in the seat support pan and attach it to the subframe using the supplied 6mm bolts (Bolt A) and fender washers. (Image A/B)
2. Measure the distance from the fuel tank to the center of the front edge of the seat support pan. (Distance B)
3. Install the tail on the motorcycle, measure back from the fuel tank the same distance as step 2 (Distance B) and mark two holes spaced 5" apart. (Image C)
4. With the tail in place drill a small 1/16" pilot hole into your marks through the tail and into the seat support pan. This will precisely mark the location for the well nuts on the support.
5. Pull the tail off to check if the holes you drilled are centered on the seat support pan.
6. If everything is centered, take a 1/2" drill bit to open the holes in the seat support pan for the rubber well nuts. (Image B)
7. Install the supplied rubber well nuts in the seat support pan (Image B)
8. Open your holes in the tail to 1/4" and bolt the tail on using the supplied 6mm hardware (Bolt B) and nylon washers.

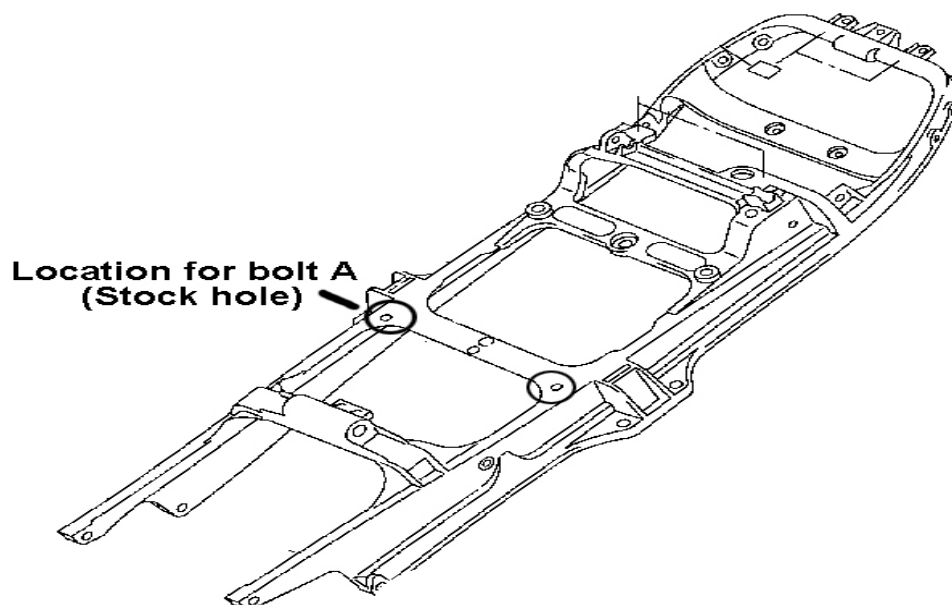


Image A

