

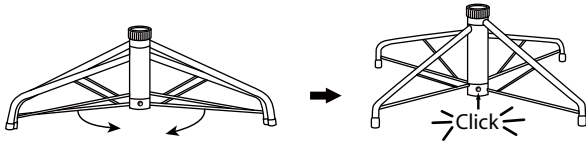
IMPORTANT: Please read this manual carefully before assembly and save it for reference.

TREE ASSEMBLY INSTRUCTIONS

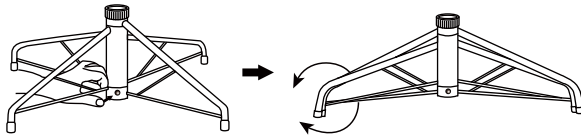
Carefully follow the instructions below to quickly and easily set up your tree.

1. Before you start to assemble your tree, choose an appropriate location near a wall outlet. Do not plug the adaptor into the wall outlet until all of the below steps are completed.
2. Assemble the tree stand and place on a level surface. (See Fig. A.)

Fig. A - Tree Stand Assembly

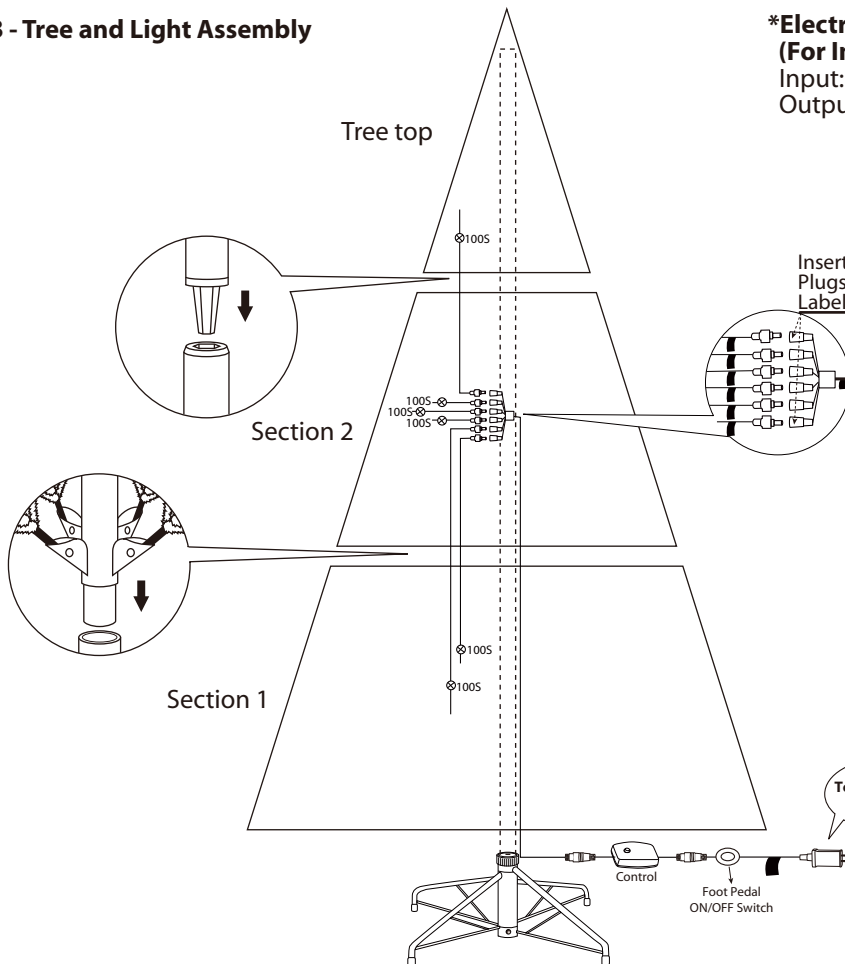


Pull apart the legs of the stand so that they are snapped into an X-shape, and place the tree stand on a level surface.



To close the stand, press the metal button and fold the legs together.

Fig. B - Tree and Light Assembly



***Electrical Rating For The Tree
(For Indoor Use Only)**

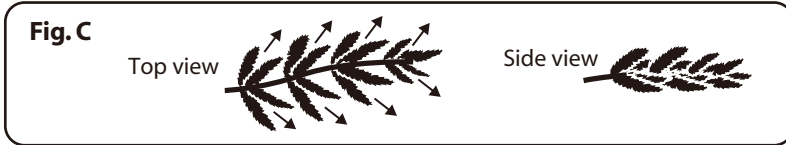
Input: 120 V, 60 Hz, 0.38 A Max
Output: 29 V DC 0.621 A

Insert Red labelled
Plugs Into Red
Labelled Extension Cord

Adaptor
To Be Plugged
Into Wall
Outlet

3. Each tree section is numbered with a sticker. Please identify all sections before assembling.
4. Assemble the tree from the bottom to the top. Start with the bottom section. Remove the protective cap before inserting it into the assembled stand. Before proceeding to the next step, make sure the pole is firmly inserted and secured into the stand.
5. Continue by inserting the upper tree section(s) into the lower section(s) until inserting the tree top.

6. Allow branches to fall into place or gently pull up and out. When adjusting branches, be sure that all wires are free of branch hinges.
7. Connect the plug(s) securely to the cord(s) as per the colour labels indicated in **Fig. B**. Insert the green-labelled cord plug into the wall outlet. Your entire tree should now be lit. If some bulbs do not light or flicker, search for any loose plugs and/or broken, loose or missing bulbs. Replace bulbs promptly in order to maintain the performance and life expectancy of your pre-lit tree.
8. Begin to shape the branches and tips, working from the bottom to the top. Start with tips farthest from the pole and fan out one to the right, one to the left and one at the centre of the main stem. (**See Fig. C.**)

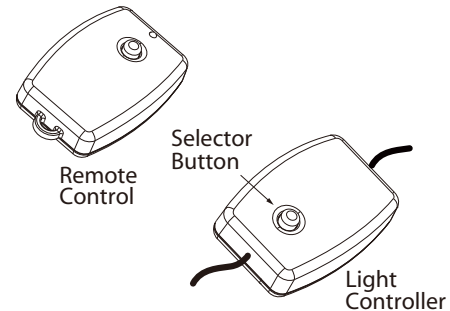


9. Once the shaping of the entire tree is completed (point 8), slightly upsweep all branch tips so a uniform look may be obtained. Shift branches to fill any gaps. Your Christmas tree is now complete and ready to be decorated.

HOW TO USE THE DUAL COLOUR LIGHT CONTROLLER AND REMOTE CONTROL:

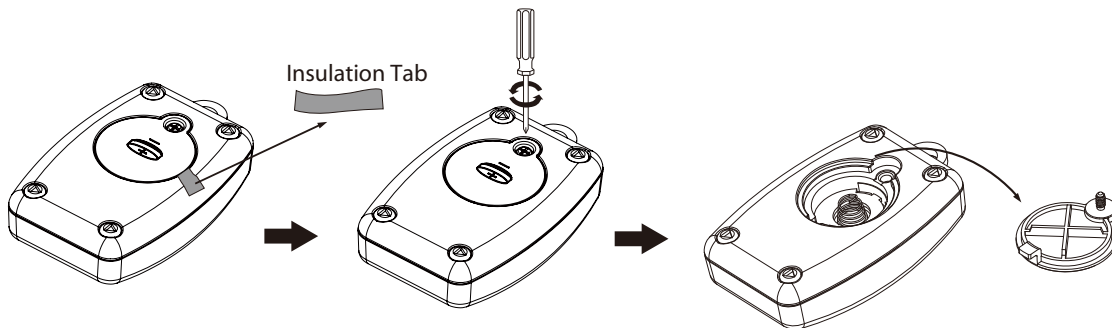
Press the selector button on the "Dual Color Light Controller" or "Remote Control" to select among:

- (1) CLEAR - MULTI: FADING (2) CLEAR: FADING
 (3) CLEAR - MULTI: ALTERNATING (4) CLEAR: STEADY
 (5) CLEAR - MULTI: SLOW FADING (6) MULTI: STEADY
 (7) MULTI: FADING (8) COMBINATION

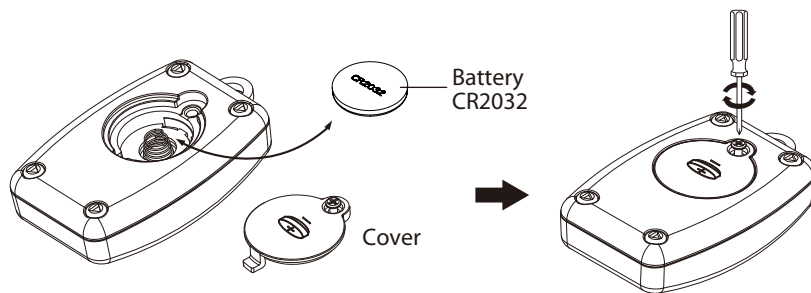


BATTERY REPLACEMENT

1. Remove the insulation tab.
2. Loosen the screw of the battery cover with a screwdriver (not included).



3. Replace the used battery with a new CR2032 button cell battery (not included). Make sure that the battery is installed with the correct polarity (+ and -).
4. Retighten the screw to close and secure the battery cover.



⚠ WARNING

1. This product is powered by a lithium battery. Due to their small size, lithium batteries can easily be swallowed by children. Ingestion of such batteries has been known to cause death.
2. This is a lithium battery which if swallowed has been known to cause death.
3. Do not expose light set to moisture.
4. Remove batteries when not used for an extended period of time, or when depleted.
5. Dispose of used batteries properly by following directions on batteries.
6. Use only CR2032 batteries for the remote controller.
7. Clean the battery contacts prior to battery installation.
8. Do not dispose of batteries in fire. Batteries may explode or leak.
9. This is a lithium battery which if swallowed has been known to cause death.
10. Small parts, keep batteries out of reach of children.

STORAGE INSTRUCTIONS

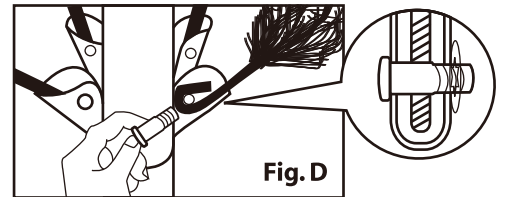
1. For pre-lit trees, first unplug cord from the wall outlet, remove all ornaments and decorations. Disconnect light cords between each section of the tree.
2. Disassemble the tree from the top to the bottom. Start with the tree top: gently lift straight up to remove from section below, and fold all branches toward the pole.
3. In case of difficulty separating the tree pole (trunk), apply a small amount of lubricant at the joint and gently twist the upper pole in both directions. Lift up the upper pole again.
4. Continue by gently lifting straight up each section from the section below and folding all branches toward the pole until the bottom section is removed from the tree stand.
5. Carefully place all tree sections into shipping box and tape it shut.
6. When not in use, please store your tree in a cool, dry place away from sunlight. Exposing your tree to excessive heat or humidity may damage your tree.
7. Dispose of used batteries per municipal or provincial law.
8. Keep out of reach of pets and children.

For pre-lit trees, if the tree does not illuminate:

1. Please check to make sure that all plugs are properly connected according to the colour labels indicated in **Fig. B** and that the power cord is plugged into the wall outlet. Refer to assembly guide for instructions. (If the tree comes with a foot pedal, try stepping on the ON/OFF button.)
2. Please check for loose, broken or missing light bulbs and replace as needed.
3. When multiple products are connected together, do not exceed the lowest of the indicated maximum wattage on the cord tag near the connected product's receptacle.

Loose Hinge Pin

1. Extra hinge pins are included for repairing the hinges. Place the branch into the slot of the bracket.
2. Insert a new hinge pin through the hole and secure using the retainer washer. (See **Fig. D**.)



SPARE PARTS

Included with each tree is hinge pins/washers. Included with pre-lit trees is spare bulbs. If extra parts are needed, please contact our customer service centre.

CAUTION:

To reduce the risk of fire and electric shock:

- a) Use only the power supply that was provided with this product. Using a different adapter will damage the lights and may cause fire, or electrical shock hazards.
- b) Do not install on trees having needles, leaves or branch covering of metal or materials which look like metal.
- c) Do not mount or support strings in a manner that can cut or damage wire insulation.

This product carries a one (1) year warranty against defects in workmanship and materials of the tree. Trileaf Distribution agrees to replace a defective product within the stated warranty period when returned to the place of purchase along with proof of purchase. This product is not guaranteed against wear or breakage due to misuse and/or abuse.

This product carries a three (3) year warranty against defects in workmanship and materials of the lights. Trileaf Distribution agrees to replace a defective product within the stated warranty period. The defective product will need to be returned to the place of purchase along with proof of purchase. This limited warranty is not valid if the product is found to have been consumer altered, damaged or abused, used for commercial purposes, or if the damage is caused by accident, acts of nature, consumer neglect, failure to follow proper installation procedures or vandalism.

Made in China

Imported by: CTC Triangle (USA) LLC

14000 24th Street E, Sumner, WA, USA 98390