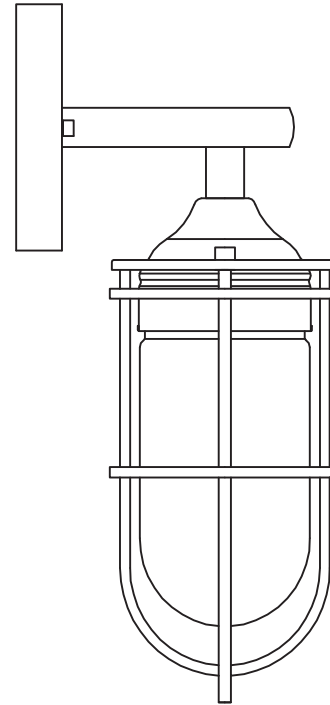


NOMA[®]

DUPONT OUTDOOR DOWN LIGHT

model no. 052-9267 | GVS model. CTI0529267



Toll-free: 1-800-256-1833

IMPORTANT: Please read this manual carefully
before installing light fixture and save it for reference

Instruction Manual

model no. 052-9267 | contact us: 1-800-256-1833

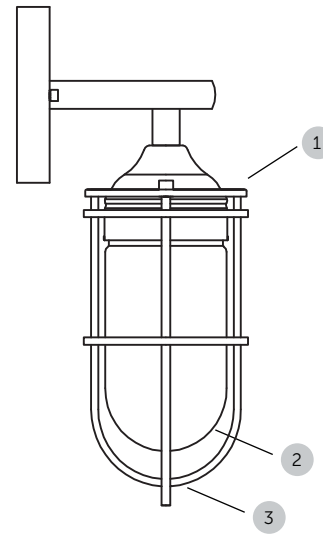
NOMA®

Specifications	3
Know Your Light Fixture	3
Installation	4-5
Cleaning And Maintenance	6
Safety	7
Warranty	7

Model	052-9267-8
Voltage	120 V AC
Watt	1 x 60 w, A
Net Weight	2.42 lbs (1.1 kg)
Dimension (L x D x H)	4 ¾ x 6 ¼ x 13 ¼" (12 x 16 x 34 cm)

Table of Contents

Specifications

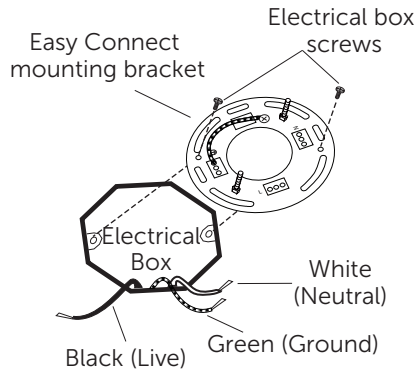


- 1. Fixture
- 2. Glass
- 3. Guard

Know Your Light Fixture

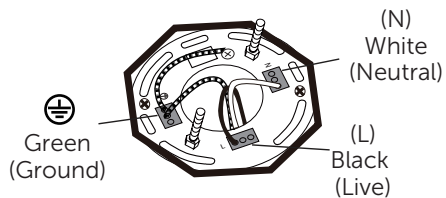


1. Attach easy connect mounting bracket to electrical box with electrical box screws (not included).



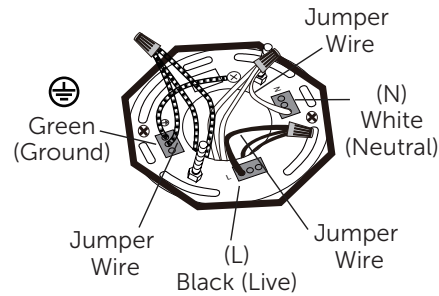
2. Connecting the house wires

Option 1 - Connect (push) electrical stripping wires from the electric box (house wiring) into the correct inserts. Black (Live), White (Neutral), Green (Ground)

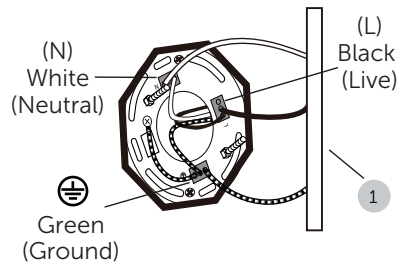


Option 2 - multiple electrical box wires

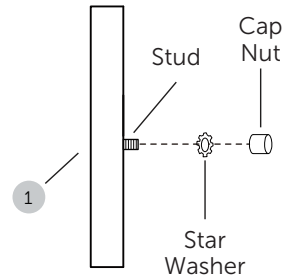
For multiple green (ground), black (live) and white (neutral) wires joined in the electrical box (house wiring), attach a single "green", "black" and "white" jumper wire before connecting. Strip 7mm from a 6 in. jumper wires (AWG 12-24) supplied. Then connect (push) wires into the correct inserts.



3. Connect (push) electrical stripping wires from the fixture (1) into the correct inserts. Black (live), White (neutral), Green (ground)



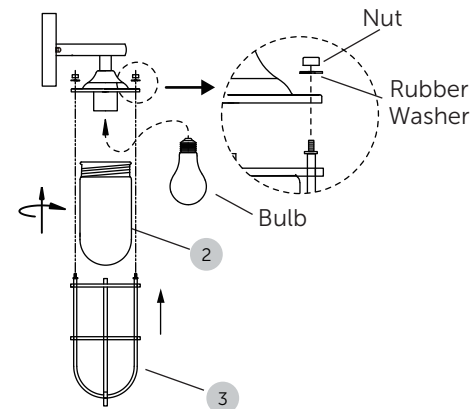
4. Tuck electrical wires into the electrical box and position the fixture (1) over studs on the mounting bracket assembly. Secure the fixture (1) in place with star washers and cap nuts.



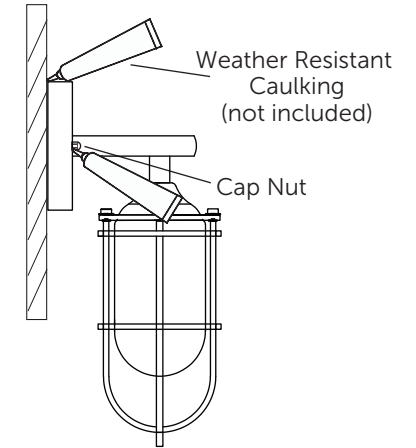
5. Remove the guard (3) and glass (2) from the fixture (1) by unscrewing the nuts and rubber washers.

Install specified bulb type and wattage (not included).

Retighten the glass (2) and guard (3) to the fixture (1).



6. After installation, seal around the top and side perimeter between the fixture and the wall surface with weather resistant caulking. The bottom should be left un-caulked to prevent moisture build-up. Apply a small amount of weather resistant caulking around the side perimeter between the cap nut and mounting plate.



DANGER: Turn off the electrical current to the outlet prior to installation.

WARNING: To avoid damage to the product or personal injury, use bulbs that do not exceed the recommended wattage of the fixture.

- To clean the fixture, turn off the power, wait for it to cool, and wipe it with a clean, soft cloth.

- Read all instructions before installing this light fixture.
- Turn off the electrical power before starting installation of this light fixture.
- Wiring supplies as required by local electrical code.
- This product must be installed in accordance with the applicable installation code by a person familiar with the construction and operation of the product and the hazards involved.

READ AND SAVE THESE INSTRUCTIONS!

WARNING: RISK OF ELECTRIC SHOCK

These servicing instructions are for use by qualified personnel only. To reduce the risk of electric shock, do not perform any servicing other than that contained in the operating instructions unless you are qualified to do so.

This Noma® product carries a five (5) year repair warranty against defects in workmanship and materials. At its discretion, Noma Canada agrees to have any defective part(s) repaired or replaced free of charge within the stated warranty period, when returned with proof of purchase. This product is not guaranteed against wear or breakage due to misuse and/or abuse. As a result of varying climatic conditions this warranty does not cover any changes in finishes, including rusting, pitting, corroding, tarnishing or peeling.

Imported by
Golden Viking Sports LLC

