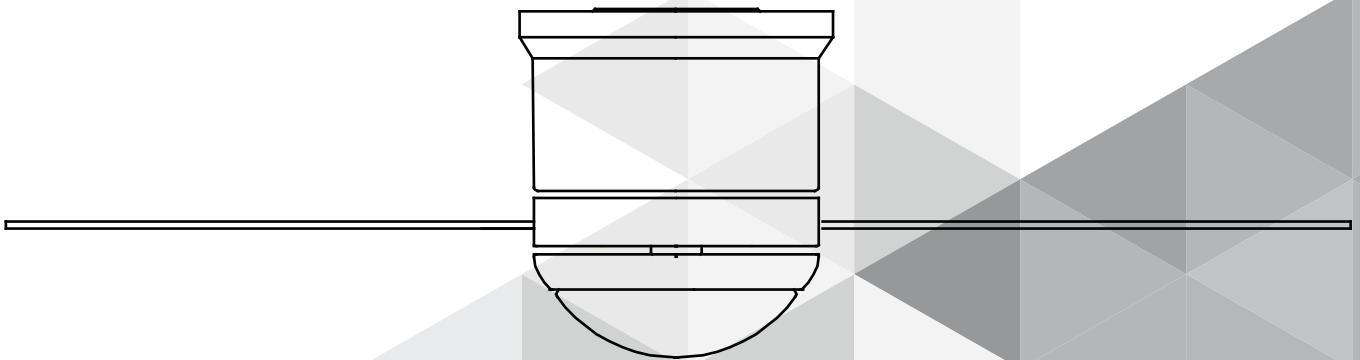


# NOMA<sup>®</sup> MD

## LED REX 38" CEILING FAN

Model no. 052-9259-8



[www.noma.com](http://www.noma.com)

**IMPORTANT:** For your safety please read and understand this manual before installing or operating this product.

OWNER'S MANUAL

V1.2019

IMPORTANT SAFETY INSTRUCTIONS ..... 3

TOOLS REQUIRED FOR ASSEMBLY..... 4

EXPLODED VIEW .....5

ASSEMBLY .....5

ASSEMBLY.....6

ASSEMBLY .....7

ASSEMBLY .....8

OPERATION .....9

CARE AND CLEANING ..... 10


TROUBLESHOOTING..... 10


WARRANTY .....10


ENVIRONMENTAL PROTECTION..... 10


## Safety Rules – Read and Save These Instructions

1. To reduce the risk of electric shock, ensure electricity has been turned off at the circuit breaker or fuse box before beginning.
2. All wiring must be in accordance with the national and local electrical codes. Electrical installation should be performed by a qualified licensed electrician.
3. **WARNING:** To reduce the risk of electric shock or fire, do not use this fan with any solid-state fan speed-control device. It will permanently damage the electronic circuitry.
4. **CAUTION:** To reduce the risk of personal injury, use only the screws provided with the outlet box.
5. The outlet box and support structure must be securely mounted and capable of reliably supporting a minimum of 35 lb (15.9 kg). Use only UL listed outlet boxes marked "FOR FAN SUPPORT."
6. The fan must be mounted with a minimum of 8'2" (2.5 m) from the trailing edge of the blades to the floor.
7. Avoid placing objects in the path of the blades.
8. To avoid personal injury or damage to the fan and other items, be cautious when working around or cleaning the fan.
9. Do not use water or detergents when cleaning the fan or fan blades. A dry dust cloth will be suitable for most cleaning.
10. After making electrical connections, spliced conductors should be turned upward and pushed carefully up into the outlet box. The wires should be spread apart with the grounded conductor and the equipment-grounding conductor on one side of the outlet box and the ungrounded conductor on the other side of the outlet box.
11. All set screws must be checked and re-tightened where necessary before installation.

 **Warning:** To reduce the risk of fire, electric shock, and personal injury, mount fan to outlet box marked "acceptable for fan support" with the screws provided with the outlet box.

 **Warning:** To avoid risk of personal injury, do not bend the blade arms (also referred to as flanges) or the brackets while balancing the blades or cleaning the fan. Do not insert foreign objects between rotating fan blades.

 **Warning:** To reduce the risk of fire, electric shock, or personal injury, mount to outlet box marked "acceptable for fan support of 35 lb (15.9 kg) or less" and use mounting screws provided with the outlet box. Most outlet boxes commonly used for the support of light fixtures are not acceptable for fan support and may need to be replaced. Due to the complexity of this fan, a qualified licensed electrician is strongly recommended.

 **Attention:** Operation is subject to the following two conditions: (1) this device may not cause interference, and (2) this device must accept any interference, including interference that may cause undesired operation of the device.

## Tools Needed (not included)

### Required



Flat-head screwdriver



Cross-head screwdriver



Safety glasses



Pliers



Wire cutters



Electrical tape

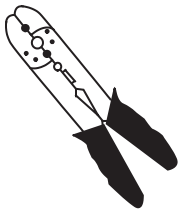


Stepladder

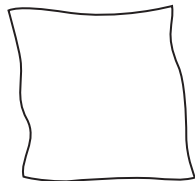


Adjustable wrench

### Helpful tools



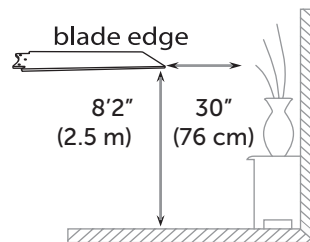
Wire strippers



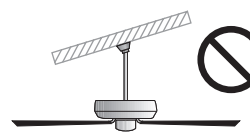
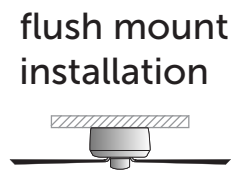
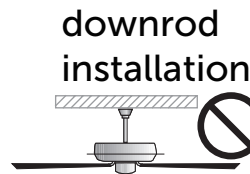
Soft cloth

## Installation Preparation

To prevent personal injury and damage, ensure that the hanging location allows the blades a clearance of 8'2" (2.5 m) from the floor and 30" (76 cm) from any wall or obstruction.



This fan can be mounted as a flushmount on a regular (no-slope) ceiling only. Downrod installations are not available for this fan.

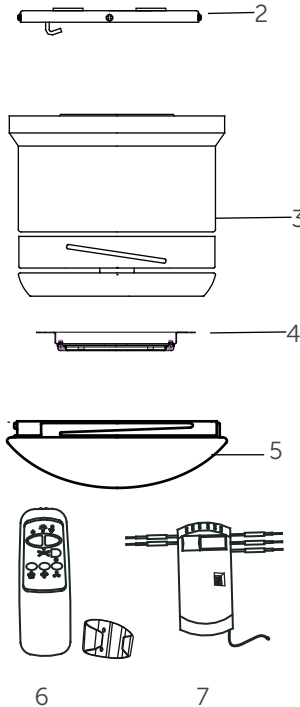
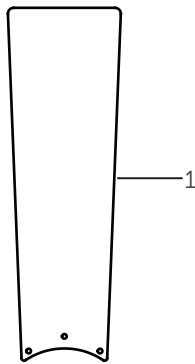


**CANNOT be installed on angled or vaulted ceilings**

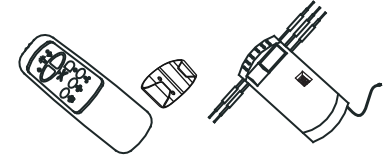
## Unpacking Your Fan

Unpack and inspect fan carefully to be certain all contents are included.

1. Set of blades (3)
2. Mounting plate
3. Canopy-motor assembly
4. LED
5. Glass shade
6. Remote Control
7. Receiver (preassembled in canopy-motor assembly)
8. Hardware bag



6. Remote Control 7. Receiver



- |              |       |
|--------------|-------|
| Hardware bag |       |
| Wood screws  | 2 pcs |
| Wire nuts    | 6 pcs |
| Battery      | 1 pc  |

8. Hardware bag

- |                 |        |  |
|-----------------|--------|--|
| Wood screws     | 2 pcs  |  |
| Spring washers  | 2 pcs  |  |
| Flat washers    | 2 pcs  |  |
| Mounting screws | 2 pcs  |  |
| Blade screws    | 10 pcs |  |
| "J" hook        | 1 pc   |  |
| Zip tie         | 1 pc   |  |

## Installing Mounting Bracket

**!** Note: The mounting bracket depicted will vary depending on the model.

- Remove the four sets of side screws from mounting bracket and save for future use.

### Normal masonry ceiling

- Securely attach the mounting bracket to an outlet box marked "Acceptable for Fan Support", using the supplied outlet box screws with lock washers (Fig. 1a).

### Wooden ceiling

- Drill two mounting holes in the ceiling joist. Securely attach the mounting bracket to the ceiling or wooden ceiling as indicated below (Fig. 1b).

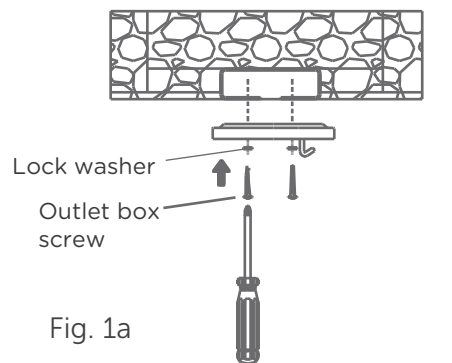


Fig. 1a

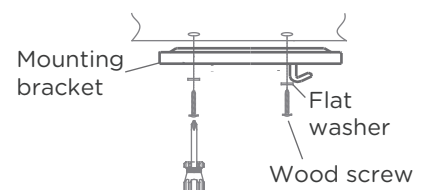


Fig. 1b

## Hands-free Wiring

- Raise canopy-motor assembly to mounting plate's hook and hang by the screw hole on the canopy. This will allow for hands-free wiring. With the fan assembly hanging off the mounting bracket's hook, follow wiring instructions (Fig. 2).

**Tips:** To reduce the risk of personal injury, seek the help of another person to hold the stepladder in place and to lift the fan up to you once you are set on the ladder.

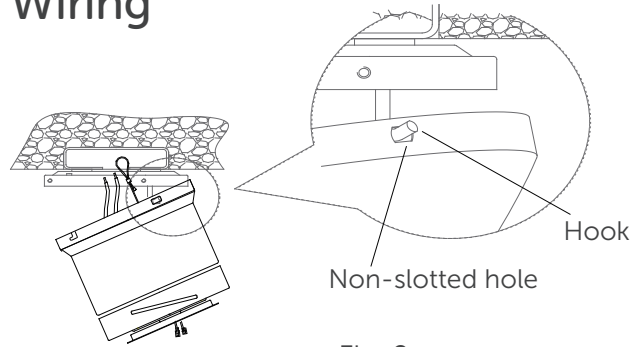


Fig. 2

## Wiring Instructions

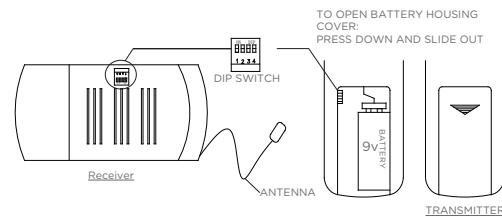
**! IMPORTANT:** If you are not sure if the electrical outlet box and fan are grounded, contact a licensed electrician for advice. They must be grounded for safe operation.

**! WARNING:** To avoid possible electric shock, be sure electricity is turned off at the main fuse box before wiring.

### Remote and Receiver Pairing

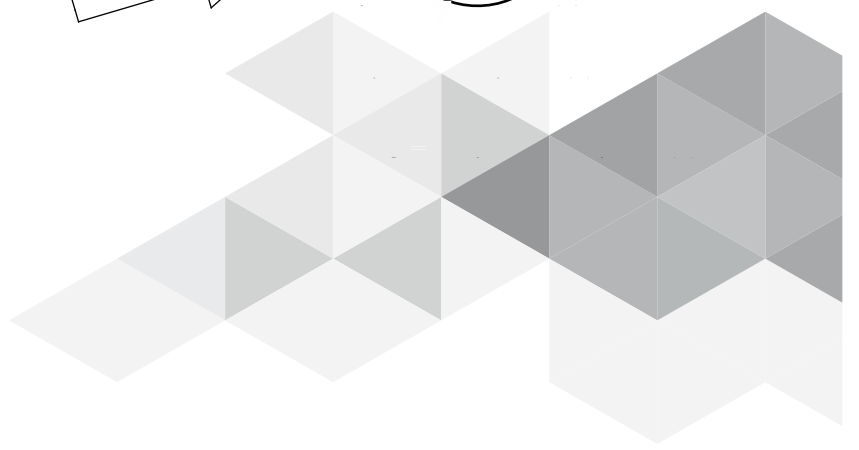
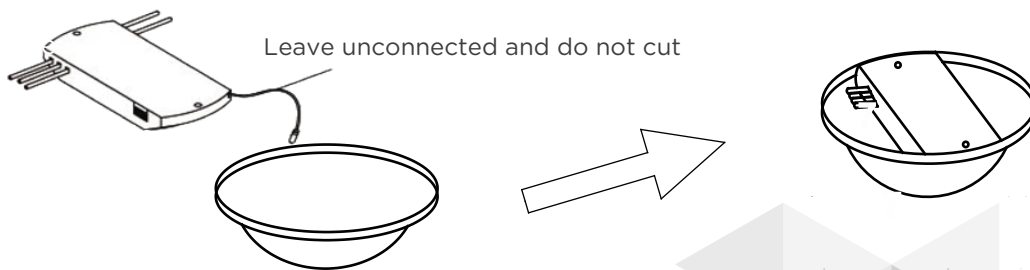
Codes are set by pushing the location of the dip switches located on the transmitter and receiver up or down. It is important that the code used for both the remote and receiver are identical for the two devices to be able to communicate, otherwise, the remote will not be able to control the fan.

If you plan to install more than one fan, each fan will require the remote and receiver to use a unique code, or else one remote will be able to control more than one fan.



### Installing Receiver Assembly (if applicable)

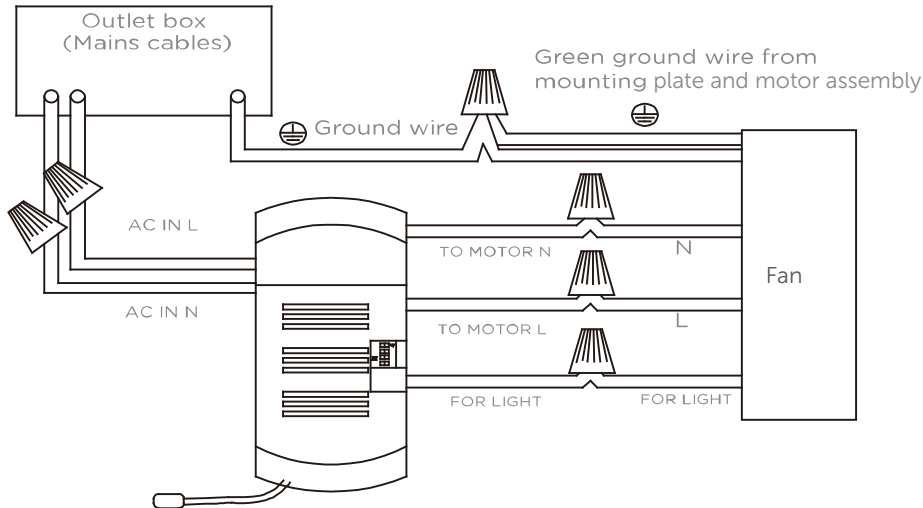
Once the connection has been made, the receiver inserts into the drop rod hanging bracket. The canopy comes up to cover the receiver and bracket.



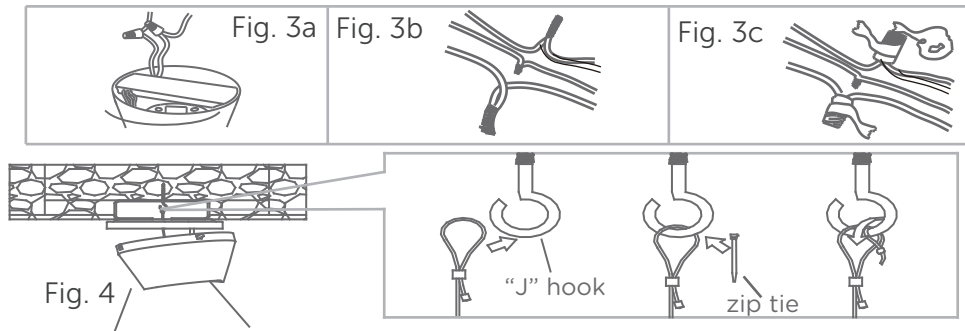
## Making Connections

Between receiver and mains:

- Connect the black live wire marked "AC IN L" from the receiver to the live wire (typically black) from the outlet box.
- Connect the white neutral wire marked "AC IN N" from the receiver to the neutral wire (typically white) from the outlet box.
- Connect the green ground wire from the mounting plate and motor assembly to the ground wire (bare or green) from the outlet box.



- When wires are matched up, connect them by twisting frayed ends together (Fig. 3a).
- Screw wire connectors (3 are provided) onto the tops of the twisted wires (Fig. 3b).
- Fasten them with electrical tape (Fig. 3c).



Note: for added security, attach safety cable from fan unit to "J" hook in outlet box. Secure by looping zip tie through safety cable and "J" hook. Tighten zip tie securely (Fig. 4).

## Fan Assembly

Secure the fan to the mounting plate with the side screws and washers (Fig. 5).

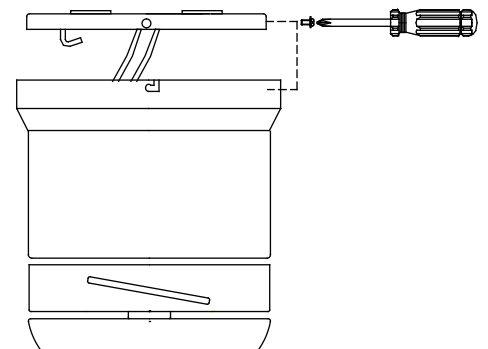


Fig. 5

· Please unscrew the 3 screws and remove the lights. Keep screws for later use. (Fig. 6)

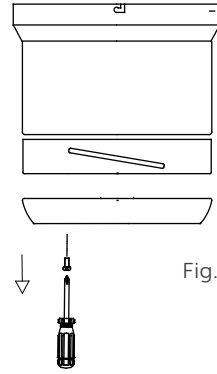


Fig. 6

· Align blade holes and attach blade with blade screws and washers. Before securing screws permanently, repeat with remaining blades. Securely tighten all screws. (Fig. 7).



Rib of the blade

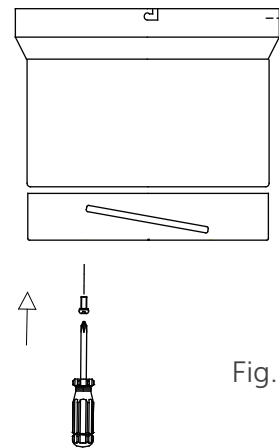


Fig. 7

· Remove 1 screw from motor plate on underside of motor and partially loosen the other 2 screws..  
 · Connect blue wire from motor assembly to black wire from the LED light kit. Connect white wire from motor assembly to white wire from LED light kit. Make sure moxex connections snap together completely. (Fig. 8)

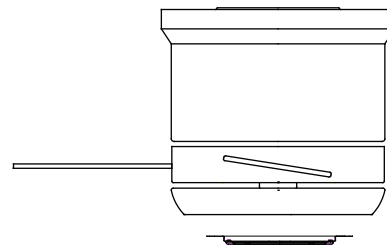
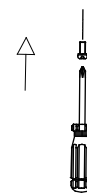


Fig.8



· Gently push up on glass shade and turn to the RIGHT (clockwise) until it slides completely into place (Fig. 9).  
 · NOTE: Pull down VERY GENTLY on glass shade to make sure that glass shade is secure.

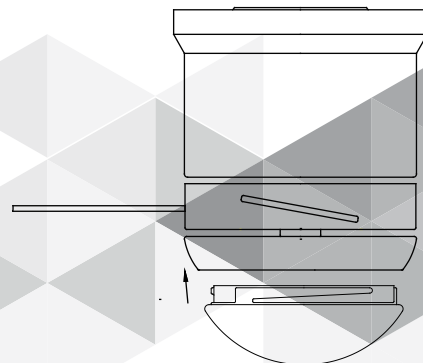


Fig. 9



## Operating Your Transmitter

Restore power to the ceiling fan and test for proper operation.

- Install the 9V battery (included). To prevent damage to transmitter, remove the battery if not being used for long periods (Fig. 10).

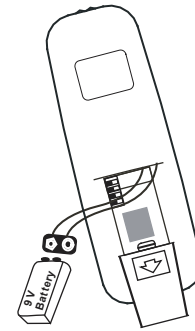
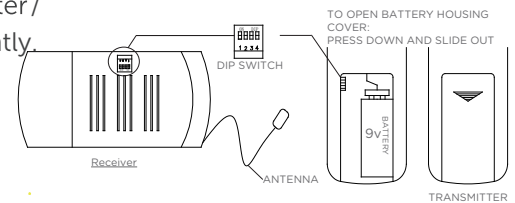


Fig. 10

### CODE SWITCH

- **CODE SWITCH:** Codes are set by pushing dip switches up or down. It is imperative that the code used for both transmitter and receiver is exactly the same; otherwise remote controller will not work. Please note the code switch will enable you to operate a second remote controller independently. For example, if you have two ceiling fans with 2 remote control units, set 2 different codes for each set of transmitter/receiver. This will enable you to operate each ceiling fan independently.
- Your remote control is ready for use after battery installation.



- Turn fan on/off and select fan speed (Fig. 11).
- Restore power to ceiling fan and test for proper operation.
- The fan remote control controls the fan setting:

- OFF: Turn off the ceiling fan.
- HI: Turn on the fan at high speed.
- MED: Turn on the fan at medium speed.
- LOW: Turn on the fan at low speed.
- LIGHT: ON/OFF: Press and release immediately to turn on or off the light.
- DIMMER: Press and hold to dim or brighten lights to the desired level and release.

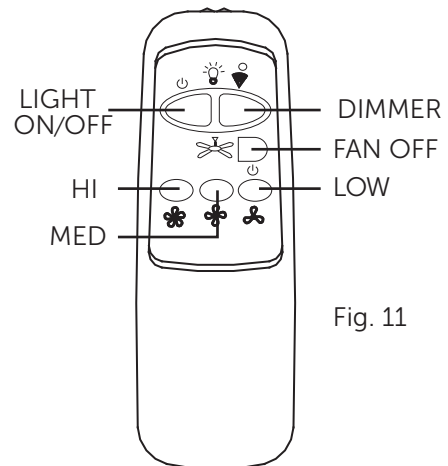
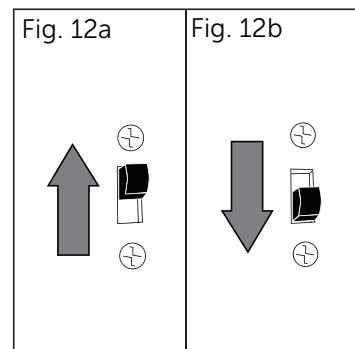


Fig. 11

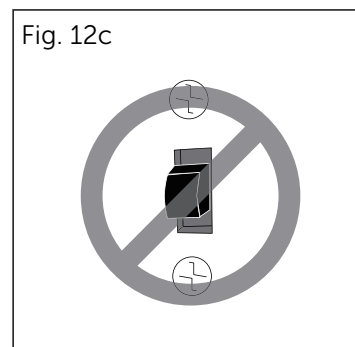
### Forward and reverse direction function:

In cooler weather, setting the reverse switch in the UP position will result in upward airflow, that can help move stagnant, hot air off the ceiling area (Fig. 12a)

In warmer weather, setting the reverse switch in the DOWN position will result in downward air-flow, creating a wind chill effect (Fig. 12b)



**IMPORTANT:** Reverse switch must be set either completely UP or completely DOWN for fan to function. If the reverse switch is set in the middle position, fan will not operate. (Fig. 12c)



## Care of Your Fan

Here are some suggestions to help you maintain your fan.

1. Because of the fan's natural movement, some connections may become loose. Check the support connections, brackets, and blade attachments twice a year. Make sure they are secure. (It is not necessary to remove fan from ceiling.)
2. Clean your fan periodically to help maintain its new appearance over the years. Use only a soft brush or lint-free cloth to avoid scratching the finish. The plating is sealed with a lacquer to minimize discolouration or tarnishing. Do not use water when cleaning. This could damage the motor, the wood, or possibly cause an electric shock.
3. You can apply a light coat of furniture polish to the wood blades for additional protection and enhanced beauty. Cover small scratches with a light application of shoe polish.
4. There is no need to oil your fan. The motor has permanently lubricated and sealed ball bearings.

## Troubleshooting

| PROBLEM            | SOLUTION   |
|--------------------|--|
| Fan will not start | Check main and branch circuit fuses or breakers.<br>Check line wire connections to the fan and switch wire connections in the switch housing.  |
| Fan sounds noisy   | Make sure all motor housing screws are snug.<br>Make sure the screws that attach the fan blade bracket to the motor hub are tight.<br>Make sure wire nut connections are not rattling against each other or the interior wall of the switch housing.<br>Allow a 24-hour "breaking-in" period. Most noises associated with a new fan disappear during this time.<br>If using ceiling fan light kit, make sure the screws securing the glassware are tight. Check that the light bulb is also secure.<br>Make sure there is a short distance from the ceiling to the canopy. It should not touch the ceiling.<br>Make sure your ceiling box is secure and rubber isolator pads are used between mounting bracket and outlet box. |

**!** Warning: Make sure the power is off at the electrical panel box before you attempt any repairs. Refer to the section "making electrical connections".

## Warranty

This product carries a limited ten (10) year warranty against defects in the motor, and a one (1) year warranty against defects in workmanship and materials. Noma agrees to replace the defective product free of charge within the stated warranty period, when returned by the original purchaser with proof of purchase. This product is not guaranteed against wear or breakage due to misuse and/or abuse.

Made in China

Imported by  
Golden Viking Sports, LLC.  
Sumner, WA, USA 98390

## ENVIRONMENTAL PROTECTION



Used electrical appliances are recyclable and should not be discarded in your regular domestic waste! Please actively support us in conserving resources and protecting the environment by returning this appliance to a collection centre (if available).



Batteries must be recycled or disposed of properly. Dispose of as per the requirements of your local community.