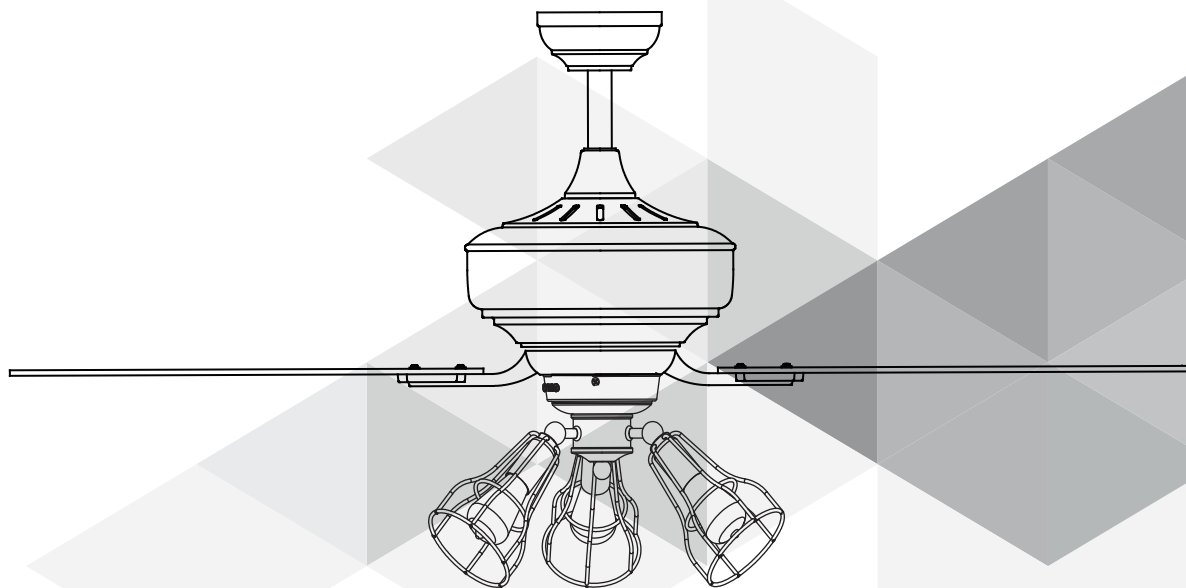


# NOMA<sup>®</sup> MD

## Gunnar 52" Ceiling Fan

model no. 052-8687-4



[www.noma.com](http://www.noma.com)

**IMPORTANT:** For your safety, please read and understand this manual before installing or operating this product.

**OWNER'S MANUAL**

V1. 2019

IMPORTANT SAFETY INSTRUCTIONS ..... 3

TOOLS REQUIRED FOR ASSEMBLY..... 4

EXPLODED VIEW .....5

ASSEMBLY .....5

SAFETY INSTRUCTIONS .....6

MAKING THE ELECTRICAL CONNECTIONS .....6

ASSEMBLY .....7

OPERATION .....11

TROUBLESHOOTING ..... 12

DYNAMIC BLADE BALANCING KIT..... 13


MAINTENANCE .....14


WARRANTY..... 14


ENVIRONMENTAL PROTECTION .....14

## Safety Rules – Read and Save These Instructions

1. To reduce the risk of electric shock, ensure electricity has been turned off at the circuit breaker or fuse box before beginning.
2. All wiring must be in accordance with the national and local electrical codes. Electrical installation should be performed by a qualified licensed electrician.
3. **WARNING:** To reduce the risk of electric shock or fire, do not use this fan with any solid-state fan-speed control device. It will permanently damage the electronic circuitry.
4. **CAUTION:** To reduce the risk of personal injury, use only the screws provided with the outlet box.
5. The outlet box and support structure must be securely mounted and capable of reliably supporting a minimum of 35 lb (15.9 kg). Use only UL listed outlet boxes marked "FOR FAN SUPPORT."
6. The fan must be mounted with a minimum of 6'11" (2.1 M) from the trailing edge of the blades to the floor.
7. Avoid placing objects in the path of the blades.
8. To avoid personal injury or damage to the fan and other items be cautious when working around or cleaning the fan.
9. Do not use water or detergents when cleaning the fan or fan blades. A dry dust cloth will be suitable for most cleaning.
10. After making electrical connections, spliced conductors should be turned upward and pushed carefully up into the outlet box. The wires should be spread apart with the grounded conductor and the equipment-grounding conductor on one side of the outlet box and the ungrounded conductor on the other side of the outlet box.
11. All set screws must be checked and re-tightened where necessary before installation.

 **Warning:** To reduce the risk of fire, electric shock, and personal injury, mount fan to outletbox marked "acceptable for fan support" with the screws provided with the outlet box.

 **Warning:** To risk of personal injury, do not bend the blade arms (also referred to as flanges) or the brackets while balancing the blades or cleaning the fan. Do not insert foreign objects between rotating fan blades.

 **Warning:** To reduce the risk of fire, electric shock, or personal injury, mount to outlet box marked "acceptable for fan support of 35 lb (15.9 kg) or less" and use mounting screws provided with the outlet box. Most outlet boxes commonly used for the support of light fixtures are not acceptable for fan support and may need to be replaced. Due to the complexity of this fan, a qualified licensed electrician is strongly recommended.

 **Attention:** Please ensure LED bulbs total wattage are always below 70W!

## Tools Needed (not included)

### Required



Flat-head  
screwdriver



Cross-head  
screwdriver



Safety glasses



Pliers



Wire cutters

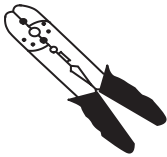


Electrical tape

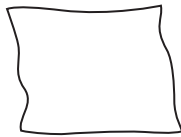


Stepladder

### Helpful tools



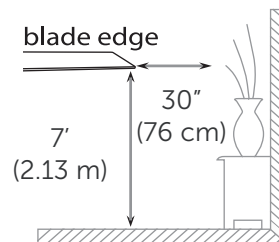
Wire strippers



Soft cloth

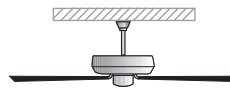
## Installation Preparation

To prevent personal injury and damage, ensure that the hanging location allows the blades a clearance of 6'11" (2.1 m) from the floor and 30" (76 cm) from any wall or obstruction.

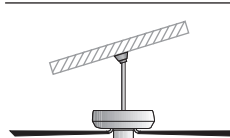
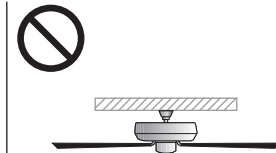


This fan can be mounted with a downrod on a regular (no-slope) or vaulted ceiling. Other installations, such as flush mount, are not available for this fan.

### downrod installation

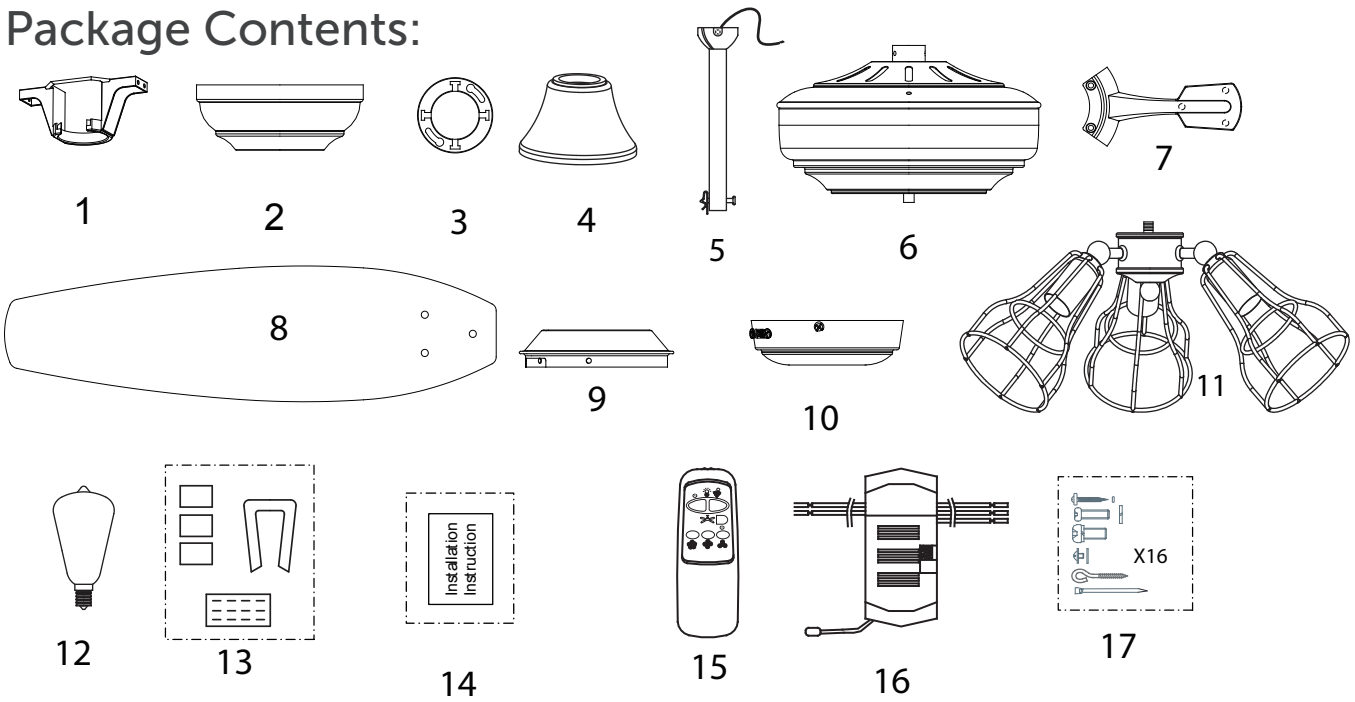


### flush mount installation



**⊘** vaulted ceiling  
angle is not to  
exceed 15°.

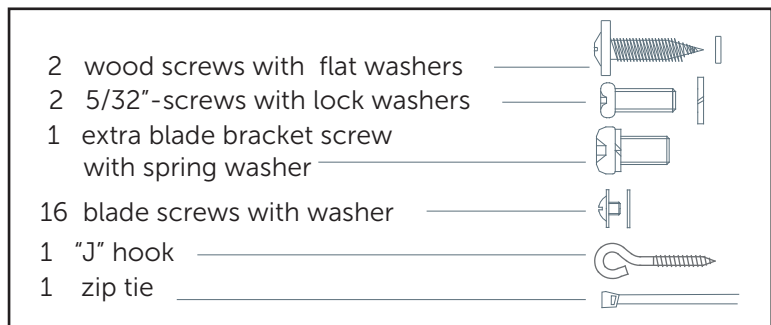
## Package Contents:



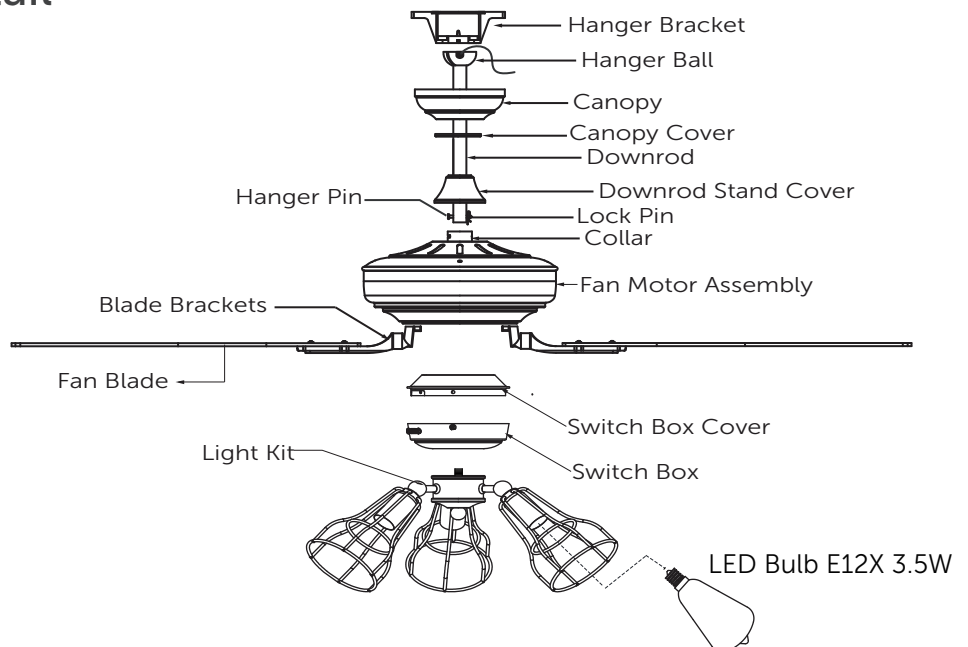
Unpack your fan and check the contents. You should have the following items.

- 1.) Hanger Bracket
- 2.) Canopy
- 3.) Canopy Cover
- 4.) Downrod Stand Cover
- 5.) Downrod Set (Included Hanger Ball, Downrod, Hanger Pin & Lock Pin)
- 6.) Fan Motor Assembly
- 7.) Blade Brackets (5 pcs)
- 8.) Fan Blades (5 pcs)
- 9.) Switch Box Cover
- 10.) Switch Box
- 11.) Light Kit
- 12.) LED Bulb E12X3.5W (3)
- 13.) Blade Balancing Kit
- 14.) Installation Instructions
- 15.) Remote Control
- 16.) Receiver
- 17.) Parts pack containing

Parts pack containing:



## Exploded View Detail



## Safety Instructions

Read all safety information and installation instructions before you begin to install the fan and save instructions.

1. All set screws of the fan must be checked and re-tightened where necessary before installation.
2. To reduce the risk of personal injury, do not bend the blade brackets when installing the brackets, balancing the blades or cleaning the fan. Do not insert foreign objects between rotating fan blades.
3. Before changing the fan direction, turn off the fan and wait for the fan blades to stop completely.
4. The safeguards provided by these safety instructions and by the separate installation instructions are not meant to cover all possible conditions and situations that may occur. It must be understood that common sense, caution and care are factors which can not be built into this product. These factors must be supplied by the person(s) installing, caring for and operating the fan.

## Making the Electrical Connections

**!** Warning: To avoid risk of electric shock, be sure to shut off power at the main fuse or circuit breaker box before installing or servicing this fixture. Turning off the electrical power by using the light switch is not sufficient to prevent electric shock.

To reduce the risk of injury, install the fan so that the blades are at least 6'11" (2.1 m) above the floor and at least 30" (76 m) from the tip of the blades to the wall.

To reduce the risk of fire, electric shock, or personal injury, mount to outlet box marked "ACCEPTABLE FOR FAN SUPPORT" and use mounting screws provided with the outlet box.

The installation must be in accordance with the national electrical code, ANSI/NFPA 70-1999 and local codes. If you are unfamiliar with the methods of installing electrical wiring, seek the services of a qualified licensed electrician.

**!** Warning : To reduce the risk of fire, electric shock, or personal injury, mount to outlet box and use mounting screws provided with the outlet box.

## Making the Electrical Connections

**!** IMPORTANT: Before you begin installing the fan, carefully read all information on the separate sheet "SAFETY INSTRUCTIONS" as well as the following "INSTALLATIONS". If in doubt, consult a qualified electrician. Save all instructions.

**!** NOTE: The fan weight is 17 lb 13 oz (8.1 kg). Be sure the outlet box you are using is securely attached to the building structure and can support the full weight of the fan. Failing to do so can result in serious injury.

## Installation Steps :

1. Turn OFF the electric circuit at the main fuse or circuit breaker box (Fig. 1).

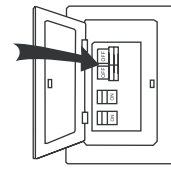


Fig. 1

2. Securely attach the mounting bracket to an outlet box marked "Acceptable for Fan Support", using the supplied outlet box screws with spring washers (Fig. 2a).

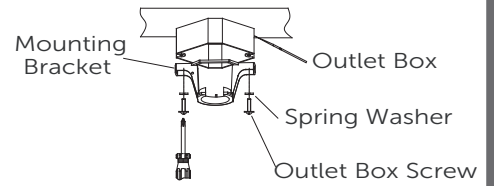


Fig. 2a

Drill two mounting holes in the ceiling joist.

Securely attach the mounting bracket to the ceiling, using the two sets of long wood screws with flat washers (Fig. 2b).

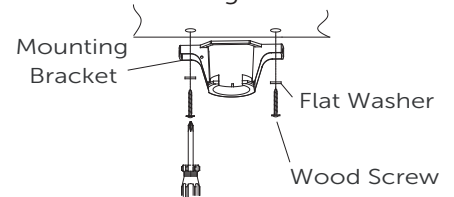


Fig. 2b

3. Remove the lock pin and take off the hanger pin (Fig. 3).

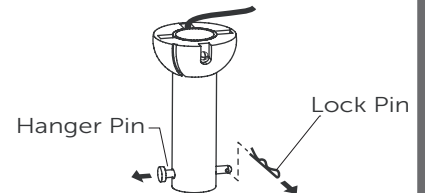


Fig. 3

4. Thread the motor wires and safety cable through the downrod stand cover, canopy cover, canopy and downrod (Fig. 4a).

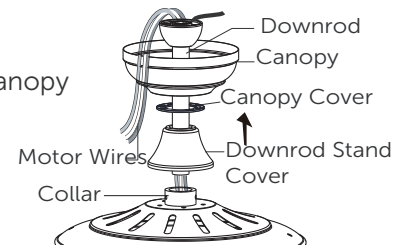


Fig. 4a

For added security attach safety cable from fan unit to "J" hook in outlet box. Secure by looping zip tie through safety cable and "J" hook. Tighten zip tie securely ( Fig. 4b).

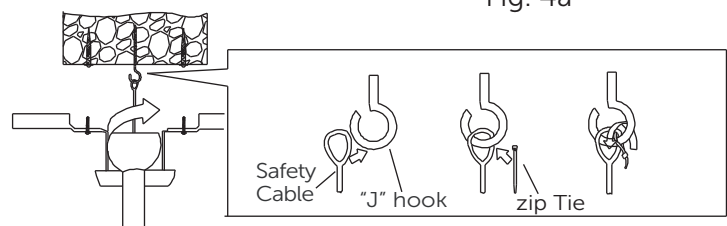


Fig. 4b

5. Insert the downrod into the collar. Slide hanger pin through holes of collar and downrod (Fig. 5).

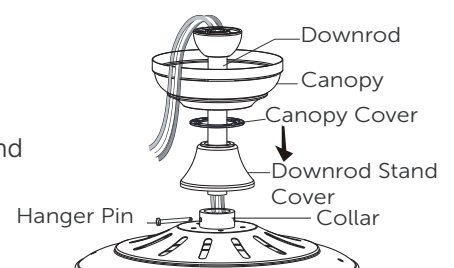


Fig. 5

6. Insert and tighten the two collar screws. Slide lock pin into hanger pin until it is locked into position (Fig. 6).

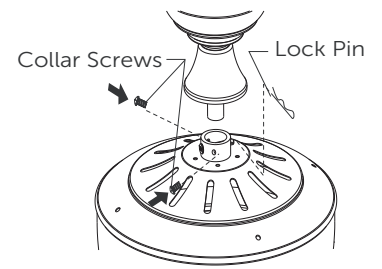


Fig. 6

7. Hang the fan on hanger bracket, and make sure the slot of hanger ball is snapped into the chip of hanger bracket exactly (Fig. 7).

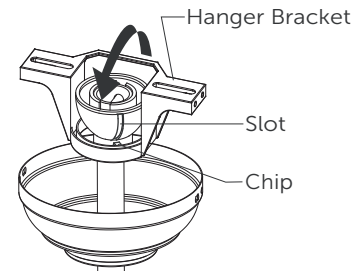


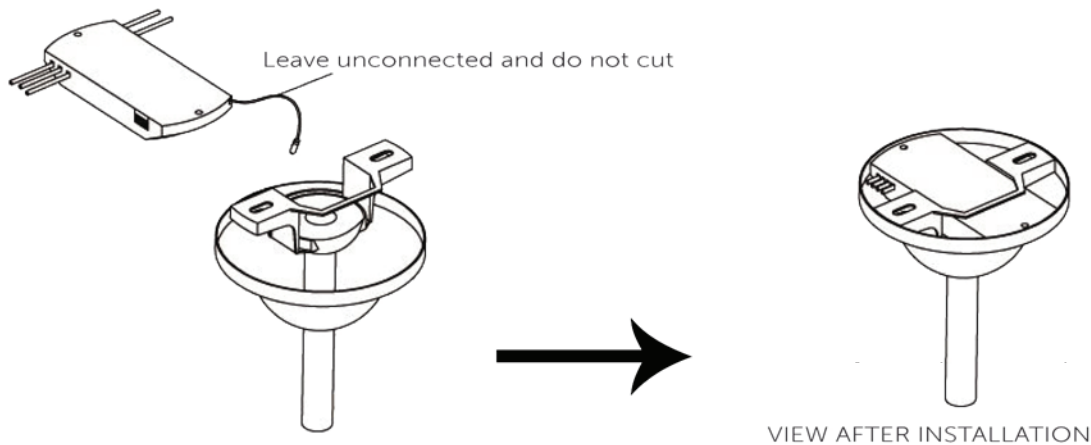
Fig. 7

### 8. Wiring instructions

**!** IMPORTANT : If you are not sure if the electrical outlet box and fan are grounded, contact a licensed electrician for advice. They must be grounded for safe operation.

**!** WARNING: To avoid possible electric shock, be sure electricity is turned off at the main fuse box before wiring.

- Once the connection has been made, the receiver inserts into the drop rod hanging bracket. The canopy comes up to cover the receiver and bracket (Fig. 16).



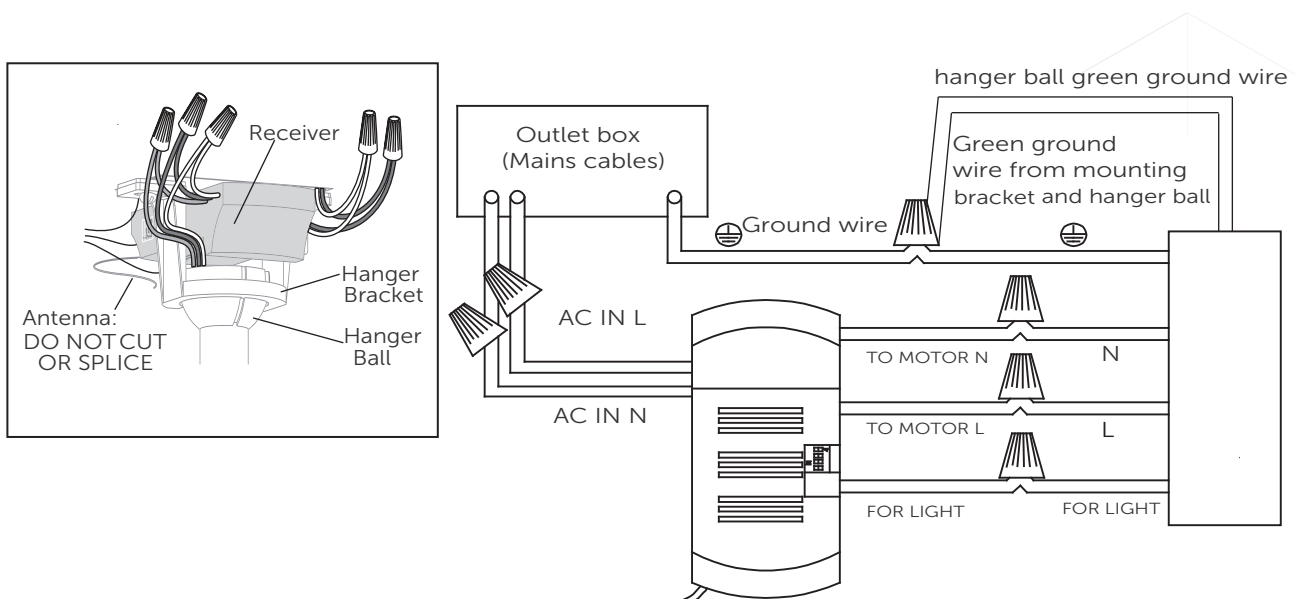


Between fan and receiver :

- Connect the black wire marked "L" from the fan to the black wire marked "TO MOTOR L" from the receiver.
- Connect the blue wire marked "FOR LIGHT" from the fan to the blue wire marked "FOR LIGHT" from the receiver.
- Connect the wire marked "N" from the fan to the wire marked "TO MOTOR N" from the receiver.

Between receiver and mains:

- Connect the black live wire marked "AC IN L" from the receiver to the live wire (typically black) from the outlet box.
- Connect the white neutral wire marked "AC IN N" from the receiver to the neutral wire (typically white) from the outlet box.
- Connect the green ground wire from the mounting bracket and hanger ball to the ground wire bare or green from the outlet box.



9. Half-tighten two hanger bracket screws, then push the canopy upwards and let the hanger bracket screw heads come through the key hole slot, then rotate the canopy counter-clockwise until canopy is secured. Now, tighten hanger bracket screws. Finally, push the canopy cover upward, then turn it counter-clockwise until it is secure (Fig. 9).

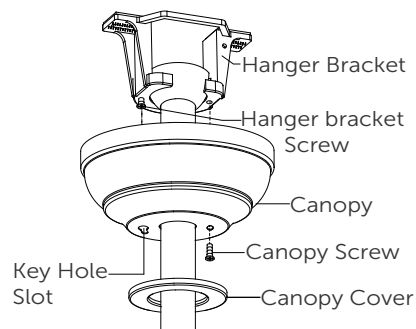


Fig. 9

10. Tighten fan blades to blade brackets by using blade screws and washers (Fig. 10).

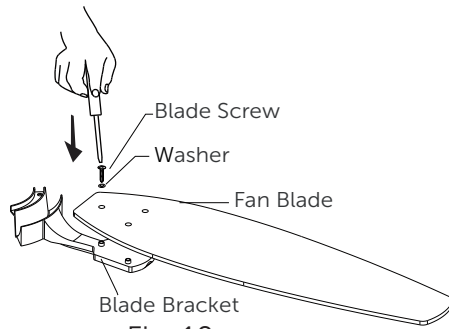


Fig. 10

11. Secure blade brackets to the motor with motor screws and washers .

If there are plastic tabs shaped like bottle caps, remove and discard them. These are stabilizers that protect the motor during shipping (Fig. 11 a). Remove blade bracket screws on the bottom of the motor and use them to attach the blade assembly to the motor and tighten the screws (Fig. 11 b).

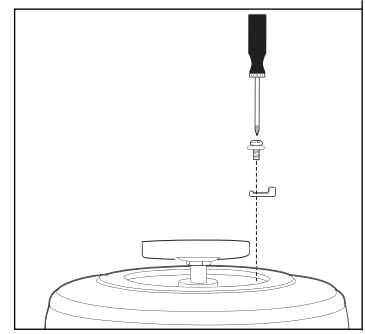


Fig. 11 a

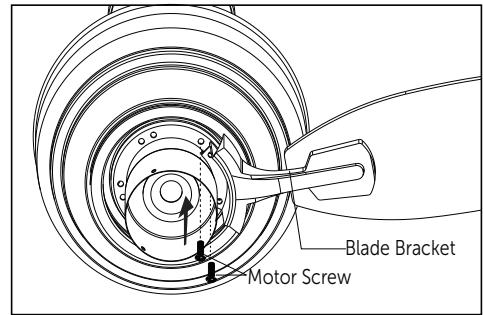


Fig. 11 b

12. Remove one fix screw (for later use), and loosen the other two fix screws. Thread the wire through the switch box cover, and then push the switch box cover upwards by inserting the other two fix screw heads into key hole slots, rotate the switch box cover till the round hole in switch box cover aligns with the hole in motor assembly, and finally, secure the switch box cover to motor assembly with previous fix screw and tighten the other two fix screws (Fig. 12).

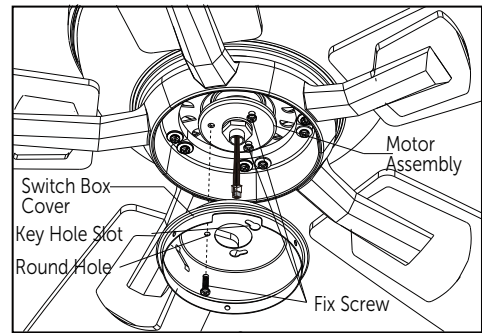


Fig. 12

13. Attach the switch box to light kit and secure them with a washer and a hex nut (Fig. 13).

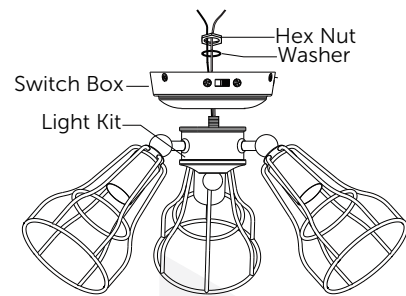


Fig. 13

14. Connect wires: (Fig. 14)

Connect the blue (live) wire from the switch box to the black (hot) wire from fan light with a wire nut.

Connect the white (neutral) wire from the switch box to the white (neutral) wire from fan light with a wire nut.

Carefully put the wires into the switch box. Then connect the two terminals respectively from the motor and the switch box.

Remove three screws from switch box cover.

Secure the switch box to motor with three switch box screws. Install bulbs (included). See relamping label at socket area or packaging for maximum allowed wattage.

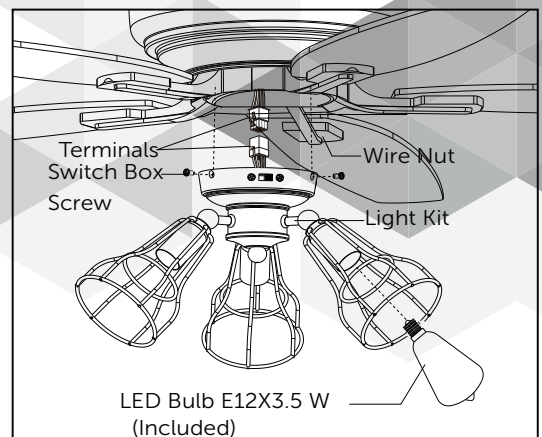


Fig. 14

15. The slide switch on switch box sets direction of fan rotation. Select the desired direction of fan rotation. Push the slide switch left for "Forward" and right for "Reverse" (Fig. 15).

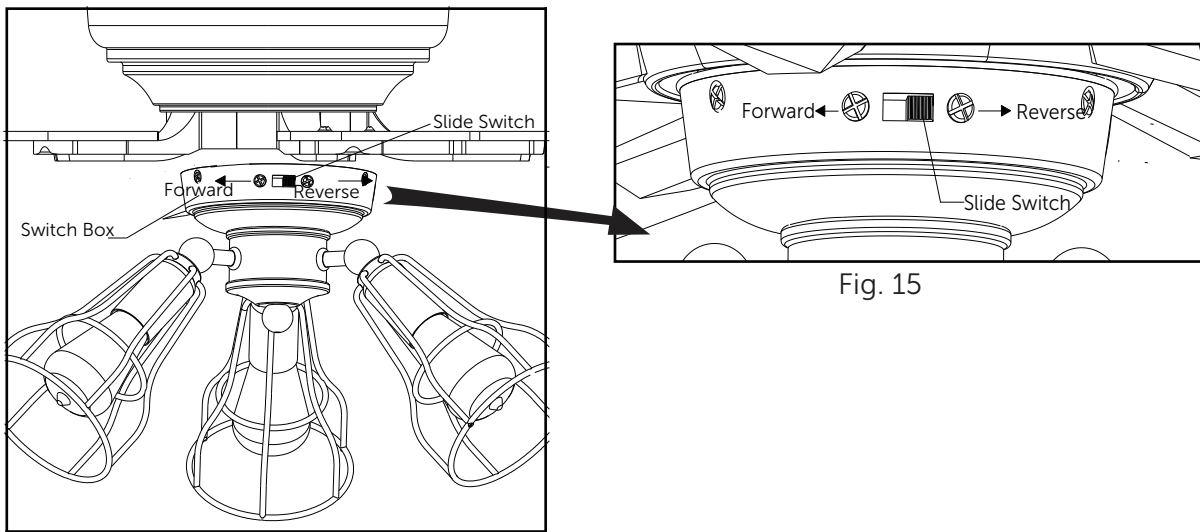


Fig. 15

**NOTE:** Wait for fan to stop before reversing the direction of blade rotation.

**IMPORTANT NOTE:** To be compliant with mandatory energy saving regulations, your fan has a built-in wattage limiter. The limiter limits the wattage of the light kit to 70 Watts. If you replace bulbs that exceed 70 Watts, then your light will not work. To prevent this, ensure bulbs wattage is always less than 70 Watts.

## Operating Your Transmitter

Restore power to the ceiling fan and test for proper operation.

16. Install the 9V battery (included). To prevent damage to transmitter, remove the battery if not used for long periods (Fig. 16).

### CODE SWITCH

- CODE SWITCH: Codes are set by pushing dip switches up or down. It is imperative that the code used for both transmitter and receiver is exactly the same; otherwise remote controller will not work. Please note the code switch will enable you to operate a second remote controller independently. For example, if you have two ceiling fans with 2 remote control units, set 2 different codes for each set of transmitter/receiver. This will enable you to operate each ceiling fan independently.
- Your remote control is ready for use after battery installation.

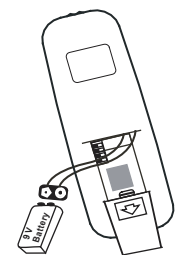
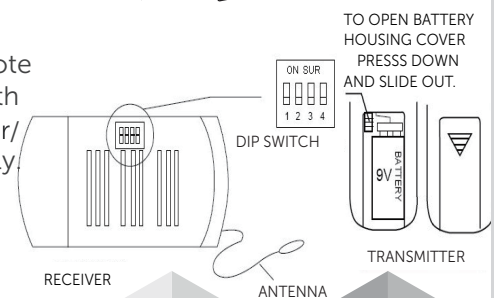


Fig. 16



17. Turn fan on/off and select fan speed (Fig. 17).

- Restore power to ceiling fan and test for proper operation.
- The fan remote control controls the fan setting:

- OFF: Turn off the ceiling fan.
- HI: Turn the fan at high speed.
- MED: Turn on the fan at medium speed.
- LOW: Turn on the fan at low speed
- LIGHT: ON/OFF: Press and release immediately to turn on or off the light.
- DIMMER: Press and hold to dim or brighten lights to the desired level and release.

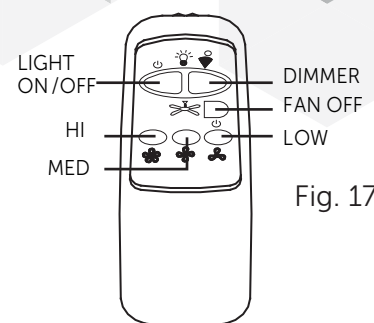


Fig. 17

8. Turn on the electric circuit at the main fuse or circuit breaker box (Fig. 18).

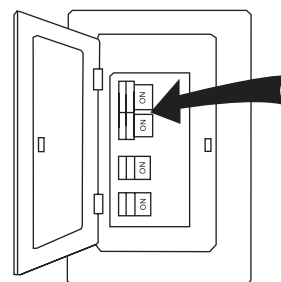


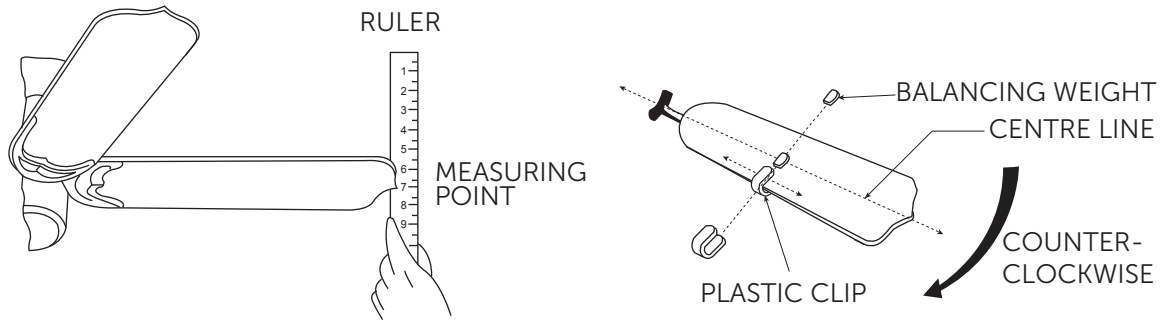
Fig.18

## PROBLEM

## SUGGESTED REMEDY

- | PROBLEM                    | SUGGESTED REMEDY  |
|----------------------------|---|
| 1. If fan does not start:  | <ol style="list-style-type: none"> <li>1. Check main and branch circuit fuses or circuit breakers.</li> <li>2. Make sure forward/reverse switch is firmly in left or right position. Fan will not operate when switch is in the middle.</li> <li>3. Make sure that the wall control is turned "ON".</li> <li>4. Check line wire connections to fan and switch wire connections in switch housing.</li> </ol> <p>CAUTION: Make sure main power is turned off.</p>  |
| 2. If fan sounds noisy:    | <ol style="list-style-type: none"> <li>1. Make sure all screws in motor housing are snug (not over tightened).</li> <li>2. Make sure the screws which attach the fan blade bracket to the motor are tight.</li> <li>3. Make sure wire nut connectors in switch housing are not rattling against each other or against the interior wall of the switch housing.</li> </ol> <p>CAUTION: Make sure main power is turned off before accessing switch housing.</p> <ol style="list-style-type: none"> <li>4. If using an optional ceiling fan light kit, make sure the screws securing the glassware are finger-tight. Make sure light bulbs are tight in sockets and not touching glass shade(s). If vibration persists from glass, remove glass and install a 1/4"-wide (0.5m) rubber band on glass neck to act as an insulator. Replace glass and tighten screws against rubber band.</li> <li>5. Some fan motors are sensitive to signals from solid state variable speed controls. DO NOT USE a solid state variable speed control.</li> <li>6. Allow "break-in" period of 24 hours. Most noises associated with a new fan will disappear after this period.</li> </ol>   |
| 3. If fan wobbles:         | <p>All blades are weighed and grouped by weight. Natural woods vary in density which could cause the fan to wobble even though all blades are weight-matched. The following procedures should eliminate most of the wobble. Check for wobble after each step.</p> <ol style="list-style-type: none"> <li>1. Check that all blades are screwed firmly into blade brackets.</li> <li>2. Check that all blade brackets are tightened securely to motor.</li> <li>3. Make sure that canopy and hanger bracket are tightened securely to ceiling junction box and junction box is mounted firmly to ceiling joist.</li> <li>4. Most wobble problems of fan are caused when blades are not in equal level. To check the blade levels, select a point on the ceiling above the tip of any blade. Measure the distance from the ceiling to the blade tip, to an accuracy of 1/8" (3 mm). Rotate the blades until the next blade is in the measuring position. Repeat measurement for each blade. If all blade levels are not equal, you can adjust blade levels by the following procedure. To adjust a blade tip down, insert a washer (not supplied) between the blade and blade bracket at the screw closest to the motor. To adjust a blade tip up, insert washer (not supplied) between the blade and blade bracket at the two screws farthest from the motor.</li> <li>5. Interchanging two adjacent blades could redistribute the weight and possibly result in smoother operation.</li> </ol> |
| 4. If light does not work: | <ol style="list-style-type: none"> <li>1. Check blue wire from fan to make sure it is connected to hot wire from supply wire coming out of the ceiling.</li> <li>2. Check for loose or disconnected wires in fan switch housing.</li> <li>3. Check for loose or disconnected wires in light kit.</li> <li>4. Check for faulty light bulbs.</li> </ol>   |

## DYNAMIC BLADE BALANCING KIT



### PREFACE

Your ceiling fan may sometimes have wobbling problems when operating due to irregularity in the blades or the blade holders. Improper assembly in the mounting system may cause some additional problems. This balancing kit can be used to fix wobbling problems.

### DYNAMIC BLADE BALANCING KIT FOR CEILING FANS

1. Make sure that all blades are firmly screwed into the blade holder.
2. Make sure that all blade holders are firmly secured to the motor housing and check that the pitch of blade holders are all the same.
3. By looking up at the fan from below, check and be certain that none of the blade holders are bent and that none of the blades are out of position.
4. Use a ruler to check the blade tracking. Put the ruler up against the ceiling vertically and against the outside leading edge of a blade. Note the distance of the edge of blade to the ceiling. Carefully turn the blades slowly by hand to check the remaining blades. If the blade is not in alignment, the blade holder may be gently bent up or down to be in line with the other blades.

After following all the steps and if the wobbling problem is not solved, a dynamic balancing needs to be done by balancing kit. Follow the procedure listed below:

- Turn the fan off. Select one blade and place the plastic clip on it, where the plastic clip locates is halfway between the blade holder and the blade tip on the edge of the blade.

Caution: The plastic clip should be placed on the windward edge of the blade to avoid clips flying off.

- Turn the fan on (use the speed that causes the wobble most). Observe if the wobble is better or worse. Turn the fan off and move the clip to the next blade. Do the same for all blades and note on which blade the clip reduces the wobble most. Place the clip on the blade which showed the most improvement. Move the clip inward and outward on this blade and operate the fan to find the position where the clip gives the most improvement.

Caution: Stay clear of the blades. If the clip, for any reason, is not secure, injury could result.

- Once the exact position is determined, place a weight on the top of the blade, on its centre line and most close to the clip. Peel the paper off of the back of the weight and press firmly to ensure that it is securely attached to the blade. Remove the clip.

Caution: Clean the surface of fan blade before placing the balancing weight so that the balancing weight can be firmly attached on it.


## Care of Your Fan

Here are some suggestions to help you maintain your fan.

1. Because of the fan's natural movement, some connections may become loose. Check the support connections, brackets, and blade attachments twice a year. Make sure they are secure. (It is not necessary to remove fan from ceiling bracket.)
2. Clean your fan periodically to help maintain its new appearance over the years. Use only a soft brush or lint-free cloth to avoid scratching the finish. The plating is sealed with a lacquer to minimize discolouration or tarnishing. Do not use water when cleaning. This could damage the motor, the wood, or possibly cause an electric shock.
3. You can apply a light coat of furniture polish to the wood blades for additional protection and enhanced beauty. Cover small scratches with a light application of shoe polish.
4. There is no need to oil your fan. The motor has permanently lubricated sealed ball bearings.

## Trouble shooting

| PROBLEM            | SOLUTION   |
|--------------------|--|
| Fan will not start | Check main and branch circuit fuses or breakers.<br>Check line wire connections to the fan and switch wire connections in the switch housing.  |
| Fan sounds noisy   | Make sure all motor housing screws are snug.<br>Make sure the screws that attach the fan blade bracket to the motor hub are tight.<br>Make sure wire nut connections are not rattling against each other or the interior wall of the switch housing.<br>Allow a 24-hour "breaking-in" period. Most noises associated with a new fan disappear during this time.<br>If using ceiling fan light kit, make sure the screws securing the glassware are tight. Check that the light bulb is also secure.<br>Make sure there is a short distance from the ceiling to the canopy. It should not touch the ceiling.<br>Make sure your ceiling box is secure and rubber isolator pads are used between mounting bracket and outlet box. |

 **Warning:** Make sure the power is off at the electrical panel box before you attempt any repairs. Refer to the section, "making electrical connections".

## Warranty

This product carries a limited ten (10) year warranty against defects in the motor, and a one (1) year warranty against defects in workmanship and materials. Noma agrees to replace the defective product free of charge within the stated warranty period, when returned by the original purchaser with proof of purchase. This product is not guaranteed against wear or breakage due to misuse and/or abuse.

Made in China

Imported by  
Golden Viking Sports, LLC.  
Sumner, WA, USA 98390



**ENVIRONMENTAL PROTECTION**

Used electrical appliances are recyclable and should not be discarded in your regular domestic waste! Please actively support us in conserving resources and protecting the environment by returning this appliance to a collection centre (if available).

Batteries must be recycled or disposed of properly. Dispose of as per the requirements of your local municipality.