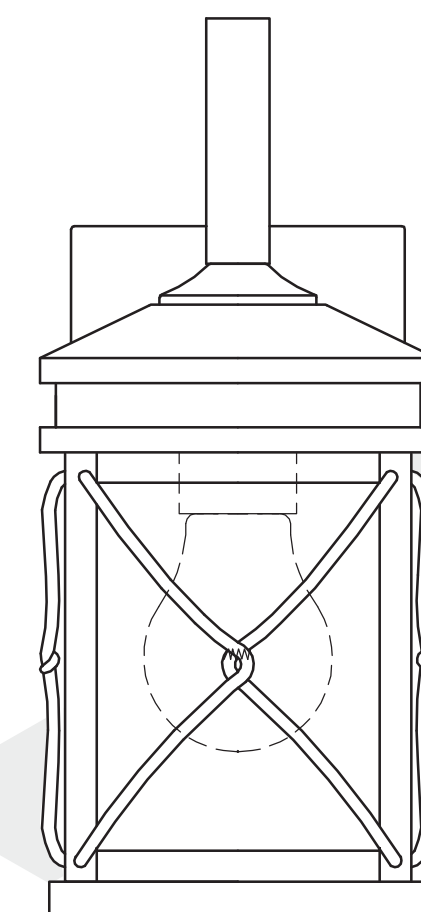


NOMA^{MD}

OUTDOOR WALL LIGHTS

MODEL NO. 052-4460-6



www.noma.com

IMPORTANT: Please read this manual carefully before attempting to assemble, operate or install the product and save it for reference

Instruction Manual

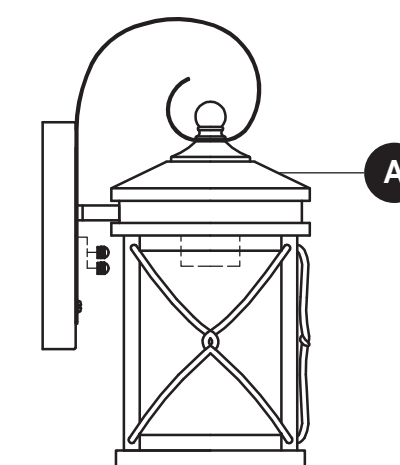
2

MODEL NO. 052-4460-6

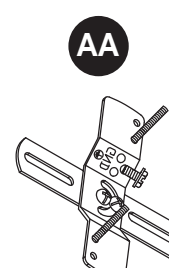
Table of Contents

Package and Hardware Contents	2
Important Safety Instructions	3
Assembly Preparation	3
Assembly Instructions	4/5
Care and Maintenance and Troubleshooting	6
Warranty	6

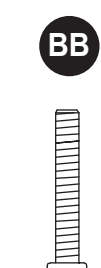
Package and Hardware Contents



PART	DESCRIPTION	QUANTITY
A	Fixture Body	1



Crossbar Qty. 1



Mounting Screw Qty. 2



Outlet Box Screw Qty. 2



Wire Nut Qty. 2



Cap Nut Qty. 2

3

NOMA^{MD}

CAUTION

The following rules must be adhered to when assembling the product. If you have any doubts about how to install the product or if it fails to work properly, contact a local licenced electrician. Failure to comply with these requirements could lead to an electric shock or fire, which could cause serious injury or be fatal.

- Disconnect power at the main fuse box before installing the fixture.
- Ensure the fixture ground wire (bare or green insulated wire) is NOT connected to current-carrying wires.
- Ensure no bare wires are exposed outside the wire connectors when joining current-carrying wires.
- Ensure no insulation on any of the wires has been damaged during installation.
- Ensure no rough or sharp edges are in contact with any of the wires.
- Ensure fixture wires are connected to the proper house supply wires. If you have any doubts about which house supply wire is white and which is black, contact a licenced electrician.
- Ensure light bulbs with wattage no greater than those specified for the fixture are used.
- Ensure power is off when installing light bulb into the fixture.

Before beginning assembly of product, make sure all parts are present. Compare parts with package contents list and hardware contents list. If any part is missing or damaged, do not attempt to assemble, install or operate the product.

Place all parts from the box in a cleared area and position them on the floor in front of you. Remove all packing materials and place them back into the box. Do not dispose of the packing materials until assembly is complete. Read each step carefully before beginning any assembly and make sure you understand each step. If you are missing a part, please call our toll-free number for assistance: 1-866-827-4985.

Tools required for assembly (not included):

Flat-head screwdriver, cross-head screwdriver, electrical tape, safety glasses, ladder, wire strippers, pliers, and silicone caulking.



Important Safety Instructions

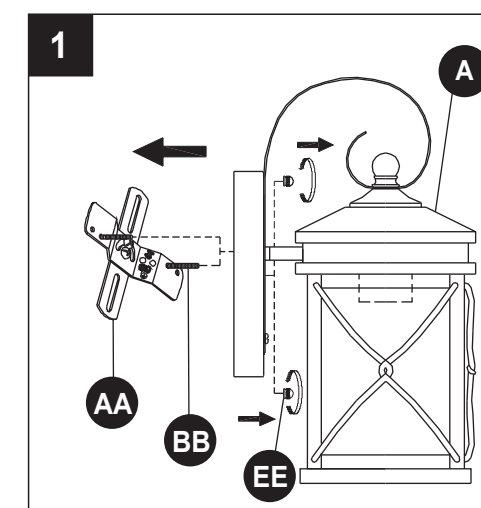
Assembly Preparation

4

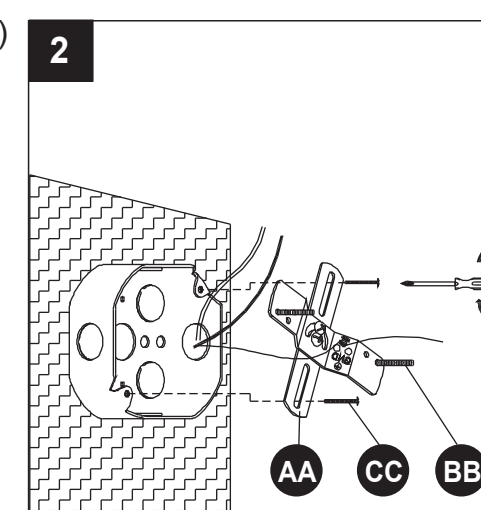
MODEL NO. 052-4460-6

Assembly Instructions

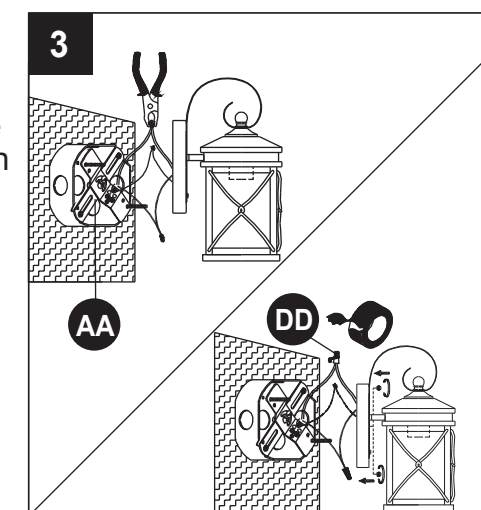
- Unscrew the cap nuts (EE) from mounting screws (BB). Save for later use. Separate the crossbar (AA) from backplate of fixture body (A).



- Attach the crossbar (AA) to outlet box (not included) using the outlet box screws (CC). **Note:** The mounting screws (BB) should protrude out from the outlet box.



- Strip 3/4" (1.9 cm) of insulation from fixture wire ends. Twist stripped ends together with pliers (not included), black to black (power), white to white (neutral). Snip ends. Wrap the ground wire from the outlet box around the green screw preassembled on the crossbar (AA), and then connect the ground wire from the outlet box to the ground wire from the fixture.

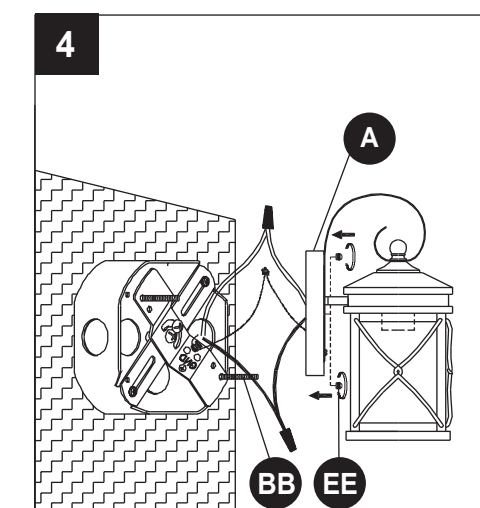


Attach wire connectors (DD) to ends. Tape wire connectors (DD) and wires together with electrical tape (not included).

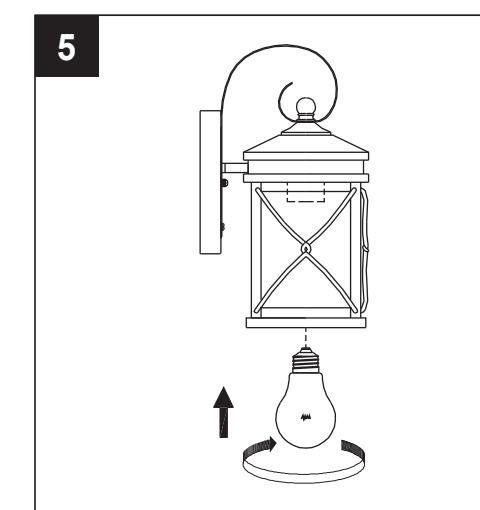
5

NOMA^{MD}

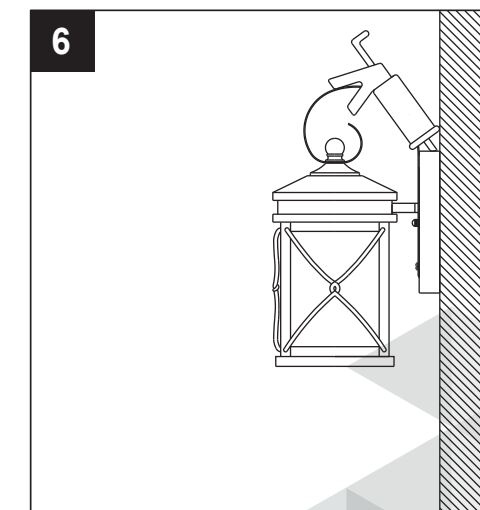
- Place fixture body (A) onto mounting screws (BB). Secure with previously removed cap nuts (EE).



- Install the bulb. Use one 60 W (max.) incandescent bulb or equivalent CFL (not included).



- Use silicone caulking (not included) to seal between wall plate and wall. Leave bottom unsealed so moisture can drain out.



Assembly Instructions

6

MODEL NO. 052-4460-6

Care and Maintenance and Troubleshooting

CARE AND MAINTENANCE

- Shut off main power before cleaning light with damp cloth or window cleaner. Do not use abrasive cleansers.
- Bulb replacement: Use one 60 W bulb or equivalent CFL.

TROUBLESHOOTING

PROBLEM	POSSIBLE CAUSE	CORRECTIVE ACTION
Bulbs won't light.	1. Bulbs are burned out. 2. Power is off. 3. Bad wire connection. 4. Bad switch.	1. Replace the bulb. 2. Check if power supply is on. 3. Check wiring. 4. Test or replace the switch.
Fuse blows or circuit breaker trips.	Crossed wires or power wire is grounding out.	1a. Check the wiring connection. 1b. Consult a qualified electrician

Warranty

This product carries a one (1) year warranty against defects in workmanship and materials. Noma agrees to replace a defective product, within the stated warranty period, when returned to the place of purchase with proof of purchase. This product is not guaranteed against wear or breakage due to misuse and/or abuse.

Made in China
Imported by
Golden Viking Sports, LLC.
Sumner, WA, USA 98390