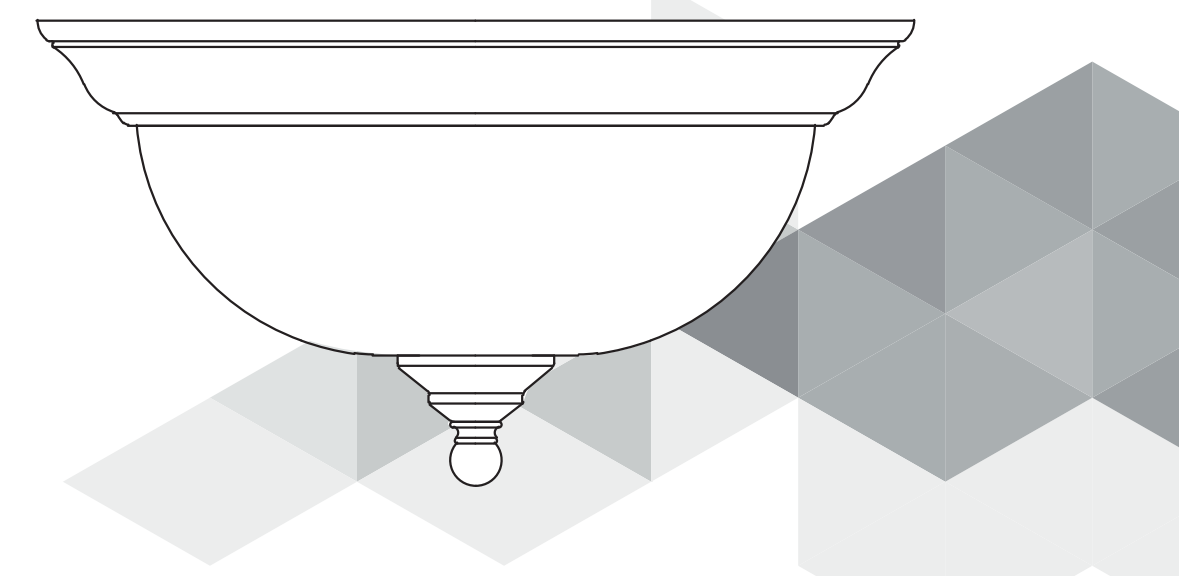


# NOMA<sup>MD</sup>

## 2-LIGHT FLUSH MOUNT

MODEL NO. 052-0425-6 / 052-0611-2



www.noma.com

**IMPORTANT:** Please read this manual carefully before attempting to assemble, operate or install the product, and save it for reference.

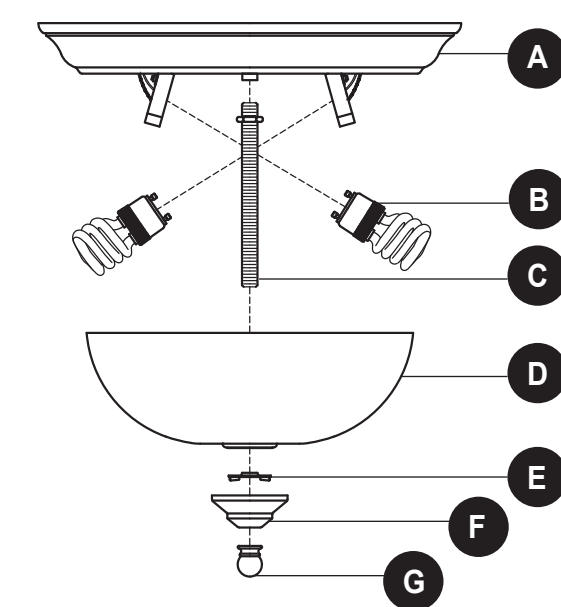
Instruction Manual

2

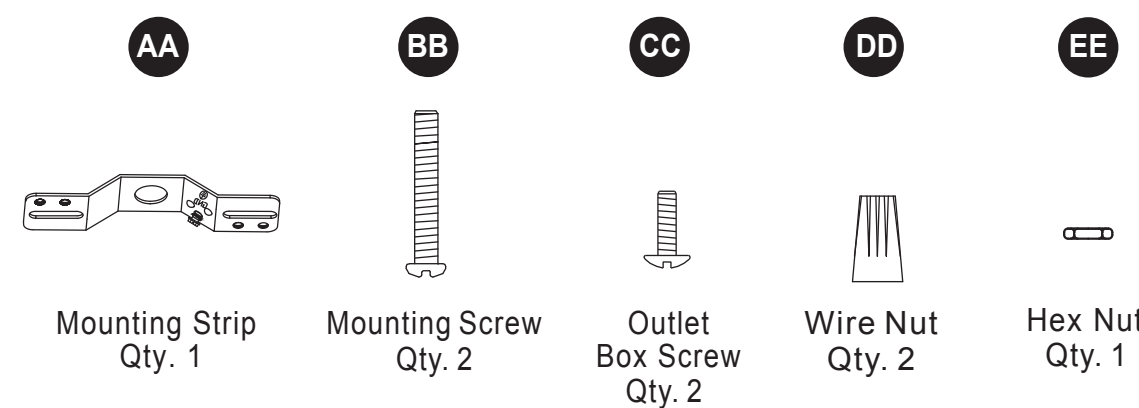
MODEL NO. 052-0425-6 / 052-0611-2

Package and Hardware Contents	2
Important Safety Instructions	3
Assembly Preparation	3
Assembly Instructions	4
Care and Maintenance and Troubleshooting	6
Warranty	6

Package and Hardware Contents



PART	DESCRIPTION	QUANTITY
A	Canopy	1
B	Bulb	2
C	Nipple	1
D	Glass Shade	1
E	Washer	1
F	Cap	1
G	Finial	1



# NOMA<sup>MD</sup>

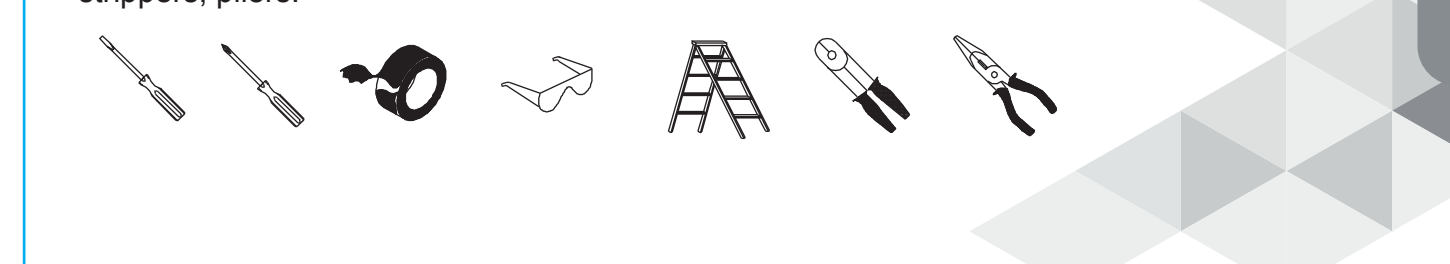
**CAUTION**  
The following rules must be adhered to when assembling the product. If you have any doubts about how to install the product or if it fails to work properly, contact a local licenced electrician. Failure to comply with these requirements could lead to an electric shock or fire, which could cause serious injury or be even fatal.

- Power at the main fuse box is disconnected before installing the fixture.
- The fixture ground wire (bare or green insulated wire) is NOT connected to current carrying wires.
- No bare wires are exposed outside the wire connectors when joining current carrying wires.
- The insulation on wires has not been damaged during installation.
- No rough or sharp edges are in contact with any of the wires.
- Fixture wires are connected to the proper house supply wires. If you have any doubts about which house supplier wire is white and which is black, contact a licenced electrician.
- Light bulbs with wattage no greater than those specified for the fixture are used.
- Power is off when installing light bulb into the fixture.

Before beginning assembly of product, make sure all parts are present. Compare parts with package contents list and hardware contents list. If any part is missing or damaged, do not attempt to assemble, install or operate the product.

Place all parts from the box in a cleared area and position them on the floor in front of you. Remove all packing materials and place them back into the box. Do not dispose of the packing materials until assembly is complete. Read each step carefully before beginning any assembly and make sure you understand each step.

**Tools required for assembly (not included):**  
Flat-head screwdriver, cross-head screwdriver, electrical tape, safety glasses, ladder, wire strippers, pliers.



3

Important Safety Instructions

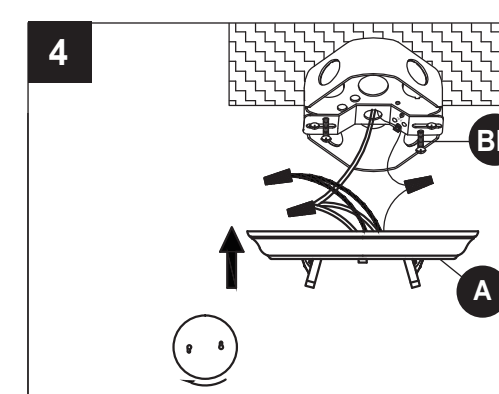
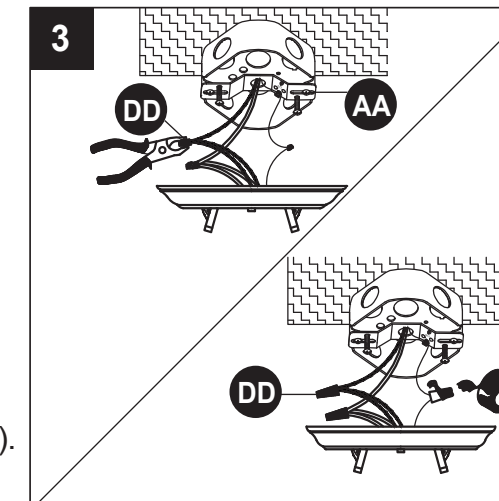
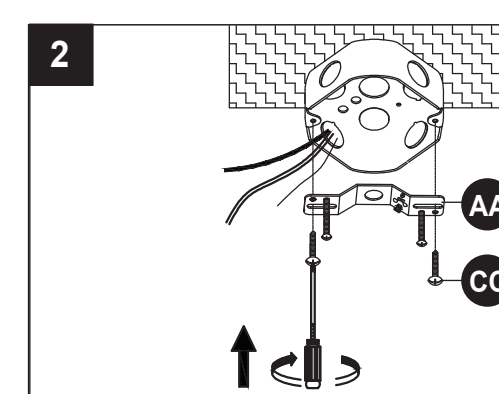
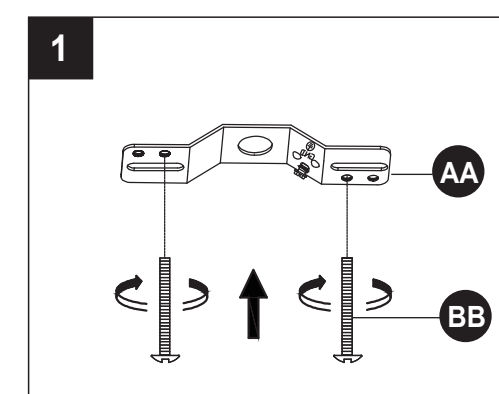
Assembly Preparation

# NOMA<sup>MD</sup>

MODEL NO. 052-0425-6 / 052-0611-2

**Assembly Instructions**

1. Screw the mounting screws (BB) into mounting strip (AA).
2. Attach the mounting strip (AA) to outlet box (not included) using the outlet box screws (CC).  
**Note:** The mounting screws (BB) should protrude out from the outlet box.
3. Strip 3/4" (19 mm) of insulation from fixture wire ends. Twist stripped ends together with pliers (not included). Connect the white, ribbed or tinned wire without writing from the fixture with the white wire from the outlet box. Connect the black, smooth, or un-tinned wire with writing from the fixture to the black wire from the outlet box in same manner. Snip ends. Wrap the ground wire from the outlet box around the green screw preassembled on the mounting strip (AA), and then connect the ground wire from the outlet box to the ground wire from the fixture. Attach wire nuts (DD) to ends. Tape wire nuts (DD) and wires together with electrical tape (not included).
4. Place the canopy (A) over outlet box. Allow the heads of mounting screws (BB) to come out through the large ends of keyholes. Twist the canopy (A) until the heads of mounting screws (BB) slide into narrow ends of keyholes. Tighten mounting screws (BB) to secure the canopy (A).

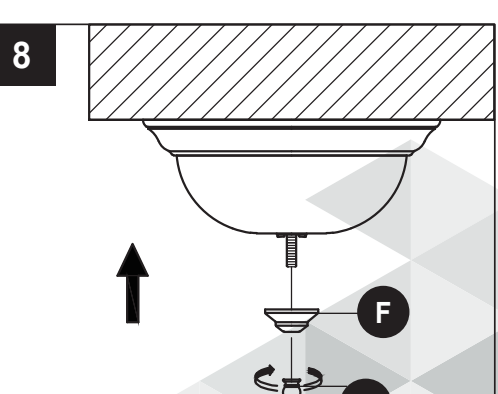
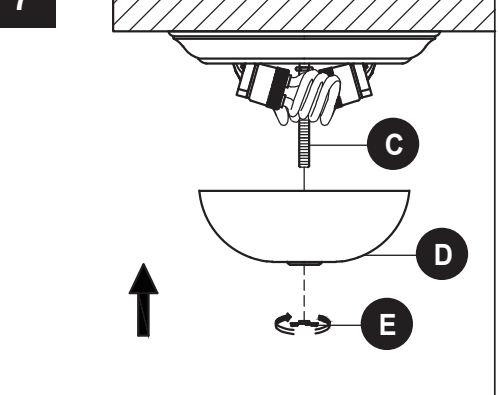
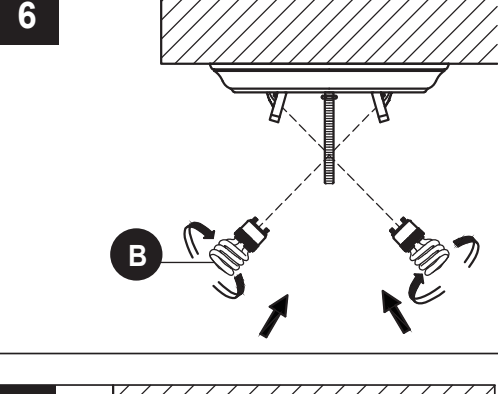
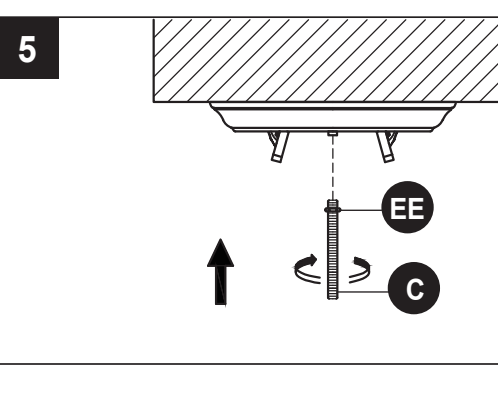


# NOMA<sup>MD</sup>

MODEL NO. 052-0425-6 / 052-0611-2

**Assembly Instructions**

5. Screw the nipple (C) into the bushing and tighten it using hex nut (EE).
6. Install the bulbs (included). Use 2\*13 W Max., 2700K, GU24 base fluorescent self-ballast lamps (B).
7. Place the glass shade (D) over the nipple (C), then tighten it using the washer (E).
8. Place the cap (F) over the nipple (C) and tighten it using the finial (G).



# NOMA<sup>MD</sup>

MODEL NO. 052-0425-6 / 052-0611-2

**CARE AND MAINTENANCE**

- Shut off main power before cleaning light with damp cloth or window cleaner. Do not use abrasive cleansers.
- Bulb replacement: Use 2\*13 W Max., 2700K, GU24 base fluorescent self-ballast lamps.

**TROUBLESHOOTING**

PROBLEM	POSSIBLE CAUSE	CORRECTIVE ACTION
Bulbs won't light.	1. Bulbs are burned out. 2. Power is off. 3. Bad wire connection. 4. Bad switch.	1. Replace the bulb. 2. Check if power supply is on. 3. Check wiring. 4. Test or replace the switch.
Fuse blows out or circuit breaker trips.	Crossed wires or power wire is grounding out.	1a. Check the wiring connection. 1b. Consult a qualified electrician.

**Warranty**

This light fixture carries a **two (2) year** warranty, while the bulb is warranted to last **six (6) years or 10,000 hours**. If this bulb does not last the stated warranty period, return bulb to place of purchase with proof of purchase. This product is not guaranteed against wear or breakage due to misuse and/or abuse.

Made In China  
Imported by  
Golden Viking Sports, LLC.  
Sumner, WA, USA 98390

Care and Maintenance and Troubleshooting

Warranty