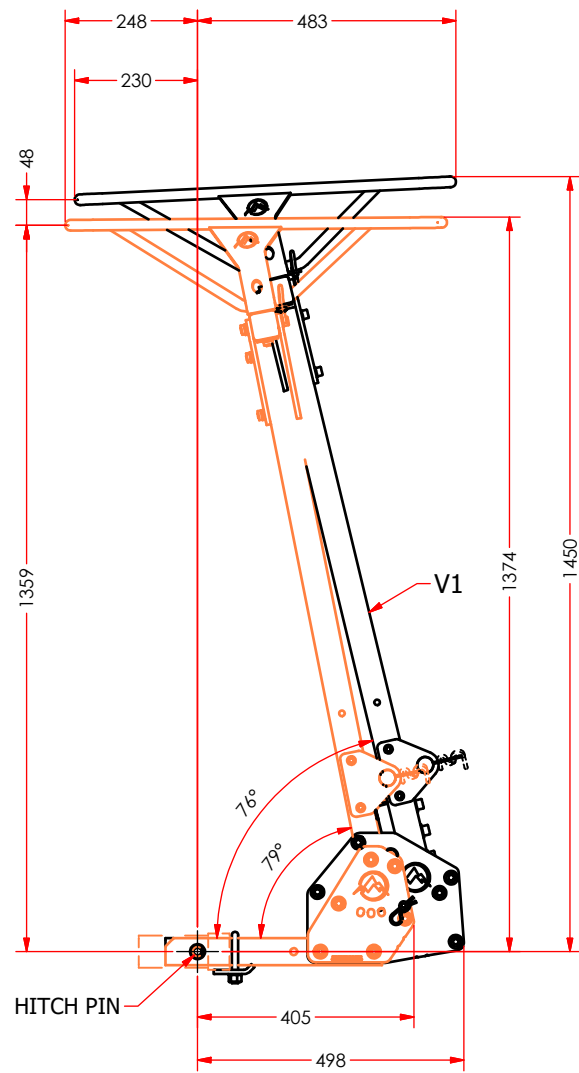
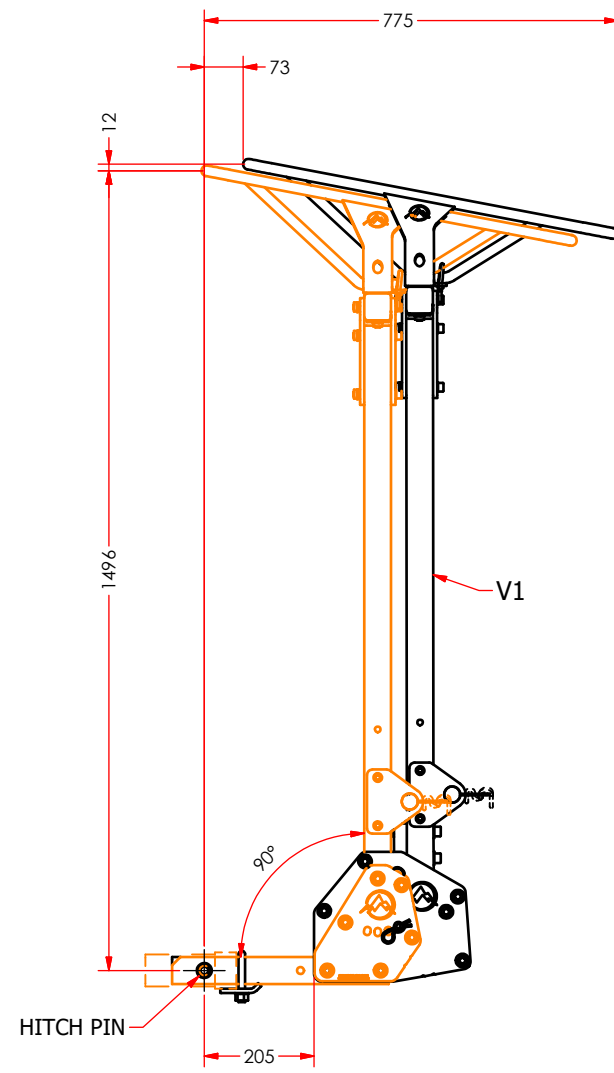


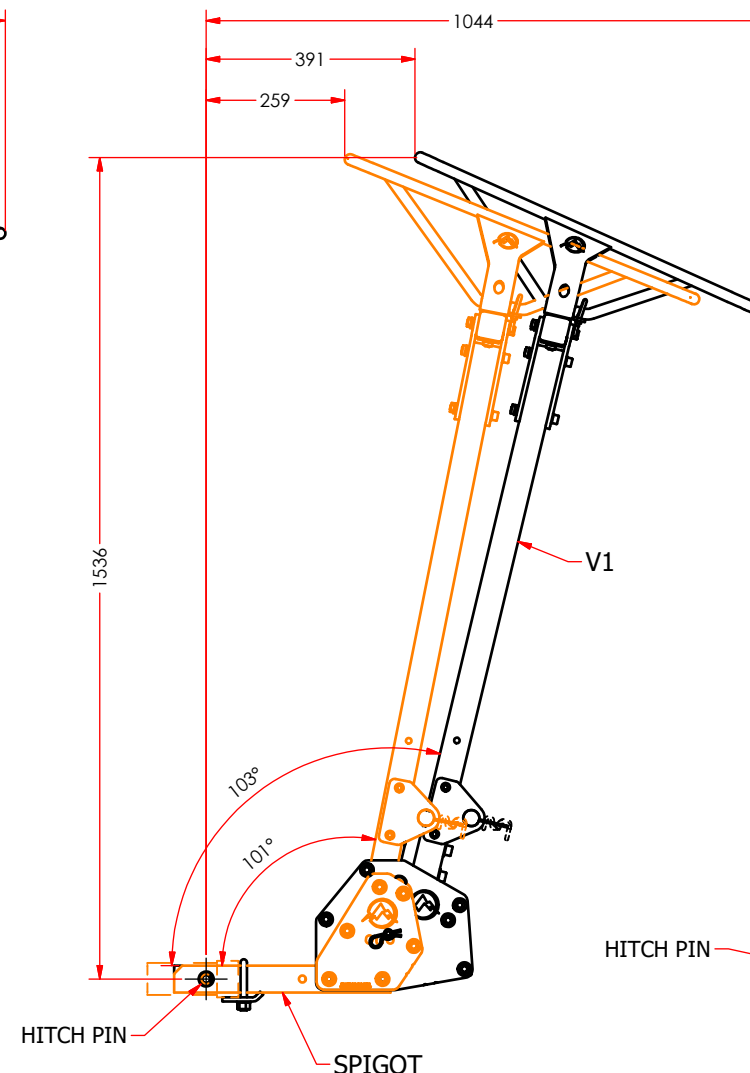
# V1 MULTI PIVOT AND V2 FIXED PIVOT CLEARANCE DETAILS



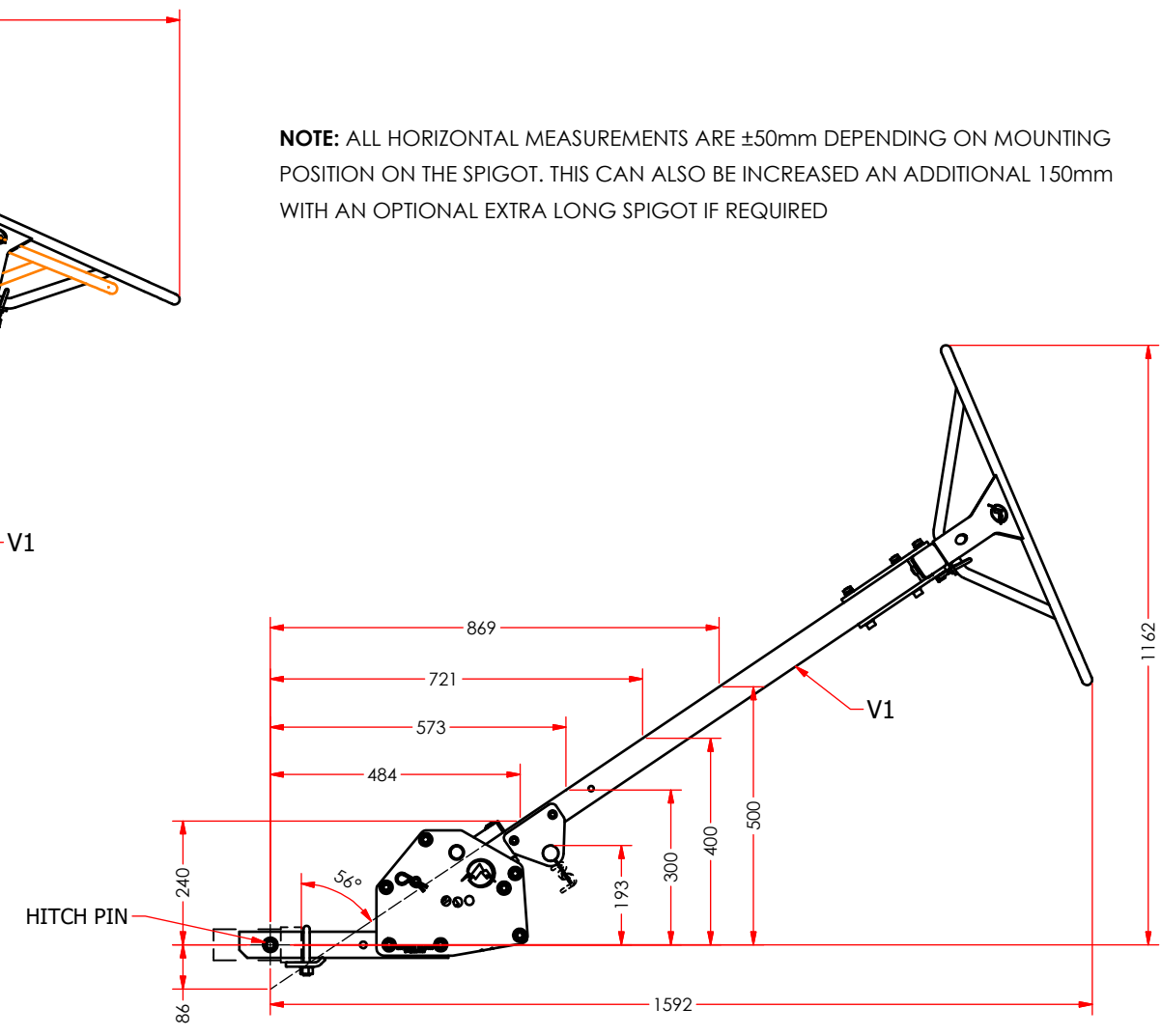
FORWARD POSITION (LOCKED)



MID POSITION (LOCKED)



REAR POSITION (LOCKED)



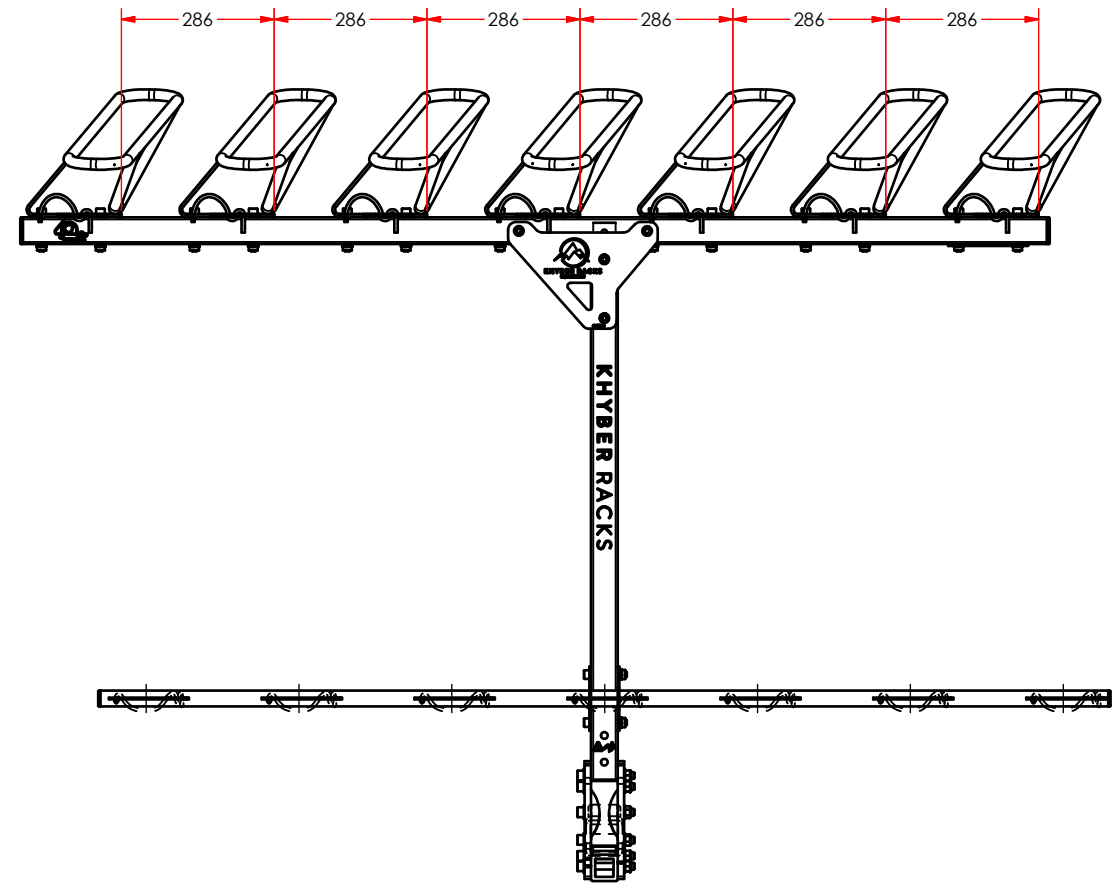
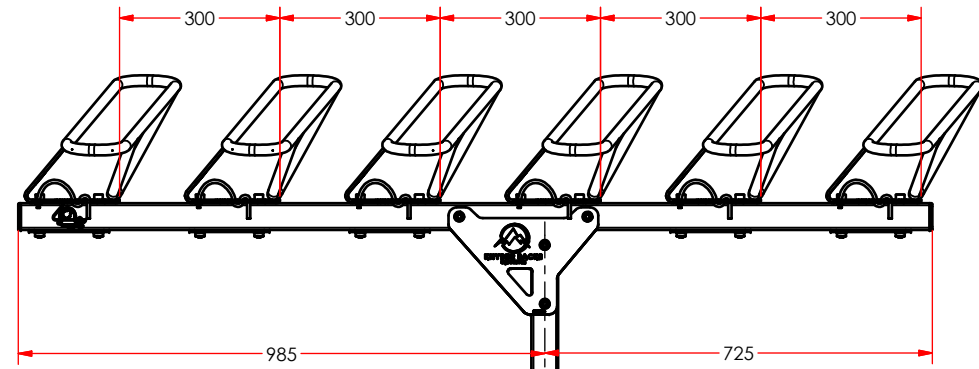
V1 MULTI PIVOT - COMPLETELY LAID BACK  
(UNLOCKED) ACCESS ONLY

**NOTE:** ALL HORIZONTAL MEASUREMENTS ARE  $\pm 50\text{mm}$  DEPENDING ON MOUNTING POSITION ON THE SPIGOT. THIS CAN ALSO BE INCREASED AN ADDITIONAL 150mm WITH AN OPTIONAL EXTRA LONG SPIGOT IF REQUIRED

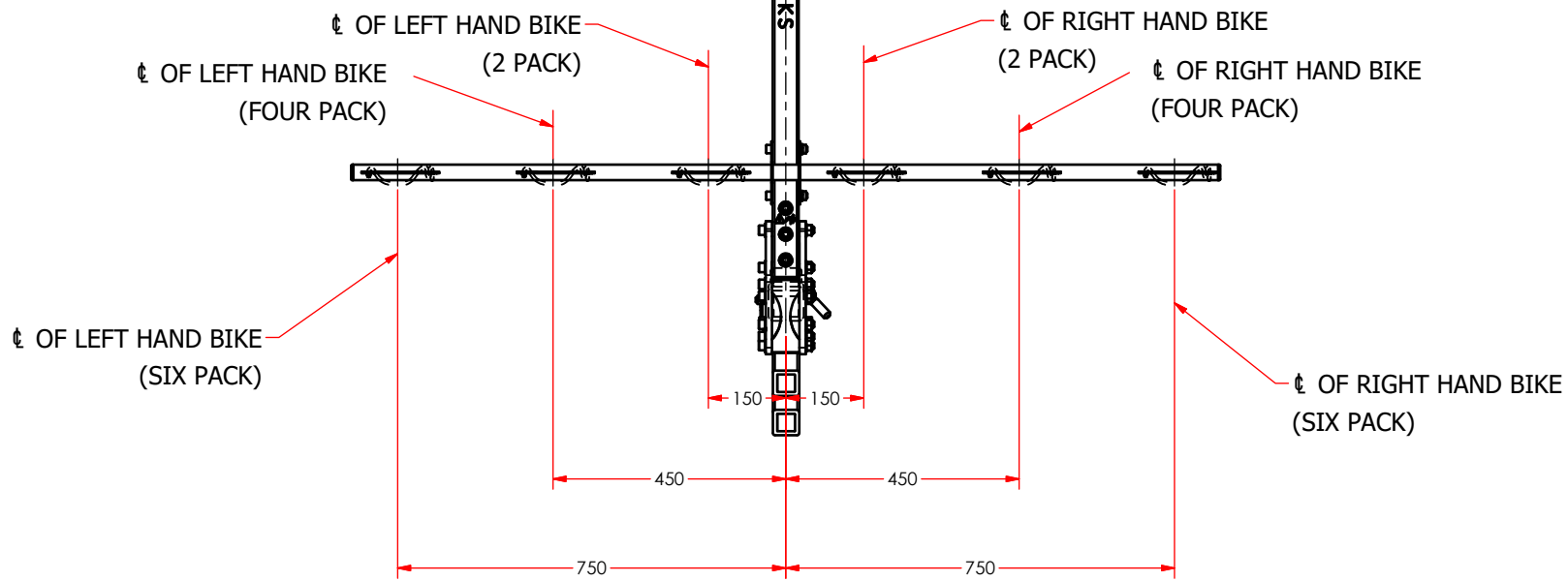
- V1 MULTI PIVOT IN BLACK - V2 FIXED PIVOT IN ORANGE
- MEASUREMENTS FOR THE V1 ARE SHOWN WITH MAST IN THE LOW POSITION - HIGH POSITION GIVES AN ADDITIONAL 50mm OF HEIGHT
- RACK CAN ALSO BE MOVED 50mm FORWARD OR REARWARD ALONG SPIGOT DEPENDING ON CLEARANCE FROM YOUR VEHICLE
- EXTRA LONG SPIGOT ALSO AVAILABLE THAT GIVES AN ADDITIONAL 150mm OF LENGTH IF REQUIRED

**NOTE:** WITH BIKES ON, THE BIKE REAR WHEEL(S) WILL LIMIT HOW FAR THE RACK WILL LAY BACK. THIS IS DEPENDENT ON VEHICLE GROUND CLEARANCE, BIKE LENGTH AND WHEEL SIZE SO WILL CHANGE DEPENDING ON YOUR SPECIFIC INSTALLATION AND USE

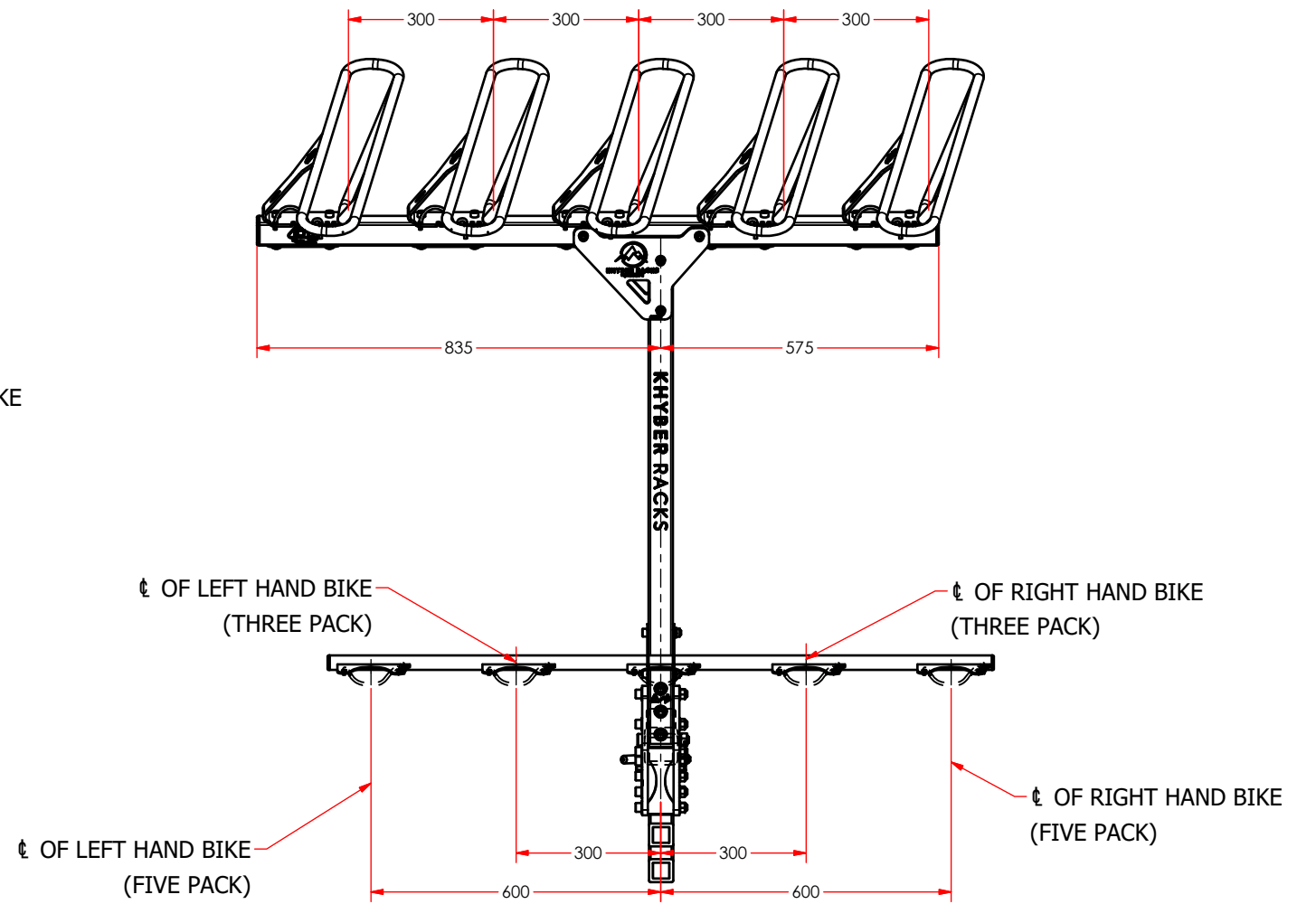
# V1 MULTI PIVOT AND V2 FIXED PIVOT WIDTH DETAILS



SEVEN PACK DETAIL



SIX PACK, 4 PACK AND 2 PACK DETAILS



FIVE PACK AND 3 PACK DETAILS