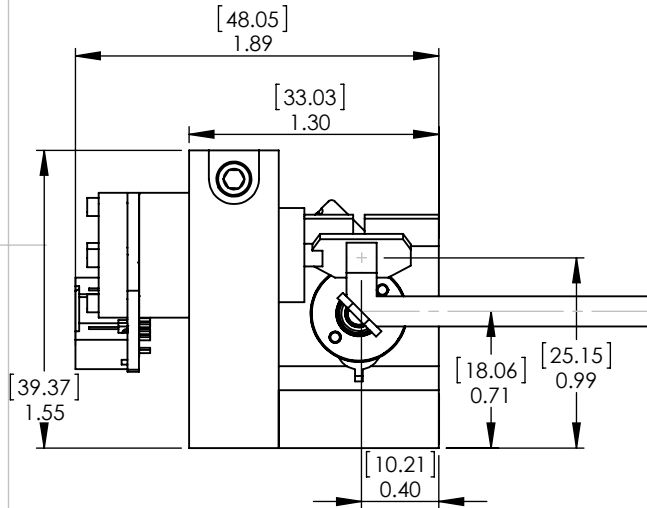
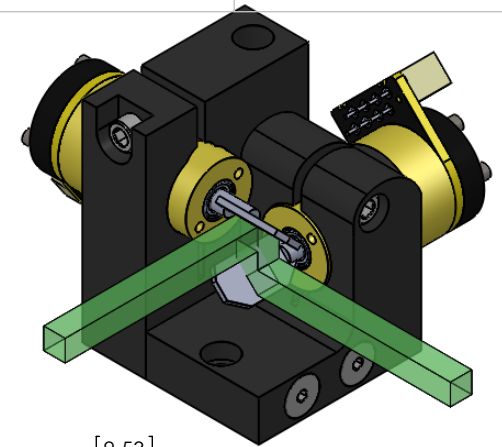
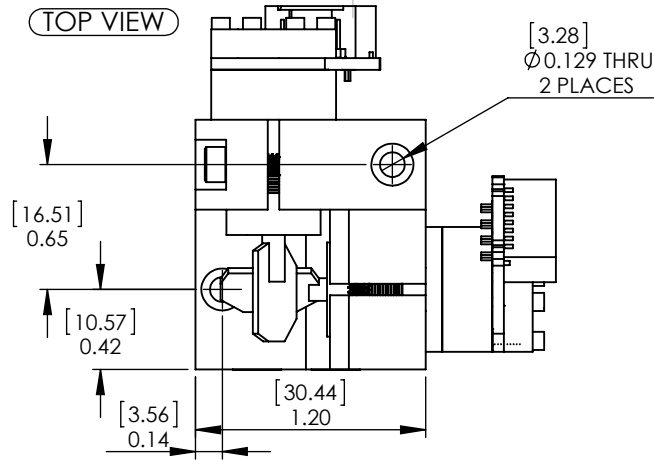


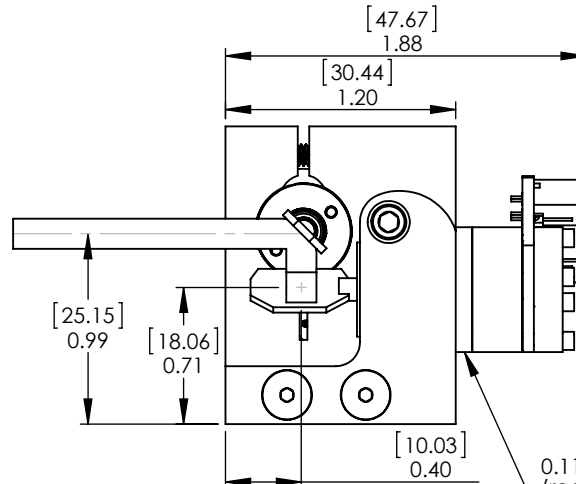
**BEAM SHOWN WITH SCANNER
IN CENTER POSITION**

4mm SQUARE BEAM SHOWN

TOP VIEW

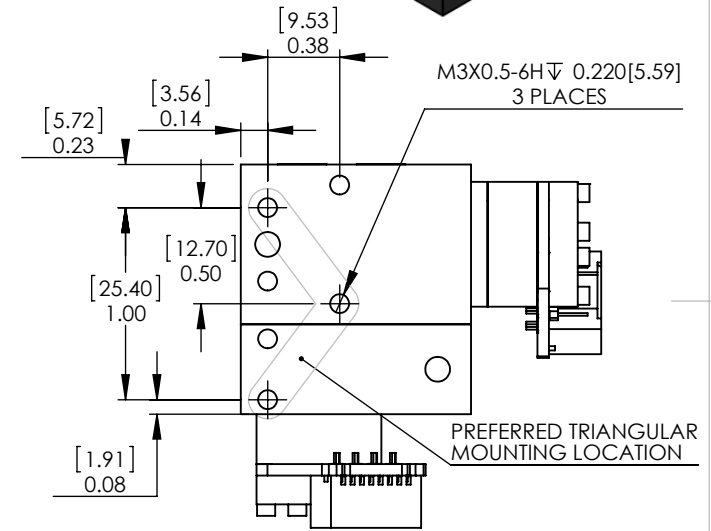


4mm BEAM OUTPUT



4mm BEAM INPUT

0.111 [2.4] SPACER
(required when using the
same mirror for both X and Y)



BOTTOM VIEW

Mount Type	Beam Size	Horizontal Scan Angle	Vertical Scan Angle
Orthogonal X-Y Mount	3mm	45 Degrees	45 Degrees
	4mm	40 Degrees	40 Degrees
(for use with round or square beams)	4.5mm	23 Degrees	24 Degrees



FINISH:
MATERIAL: Various

DO NOT SCALE DRAWING

REVISION B

Pangolin Laser Systems, Inc.

NAME	SIGNATURE	DATE
DRAWN R.S.		August 12 2015

TITLE:
**COMPACT 506 4mm XY Mount,
RH, Orthogonal X**

UNLESS OTHERWISE SPECIFIED: DIMENSIONS ARE IN INCHES [mm]

DWG NO.
C506_40_XY_Ort

A4

WEIGHT: 85 grams

SCALE:1:1

SHEET 1 OF 1