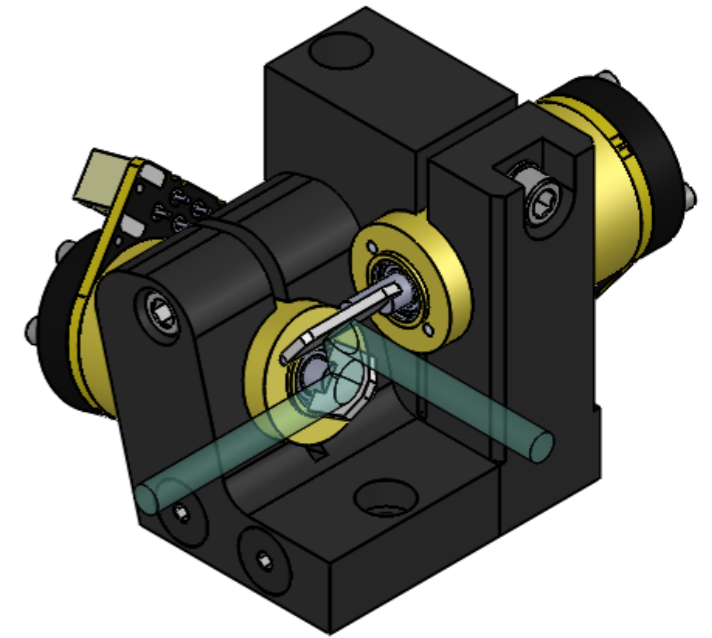
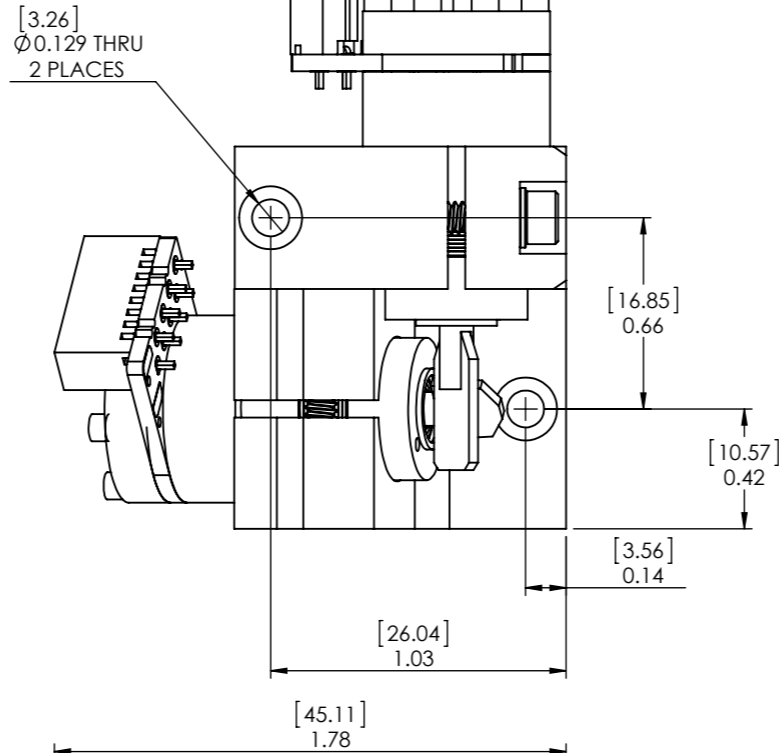


# BEAM SHOWN WITH SCANNER IN CENTER POSITION

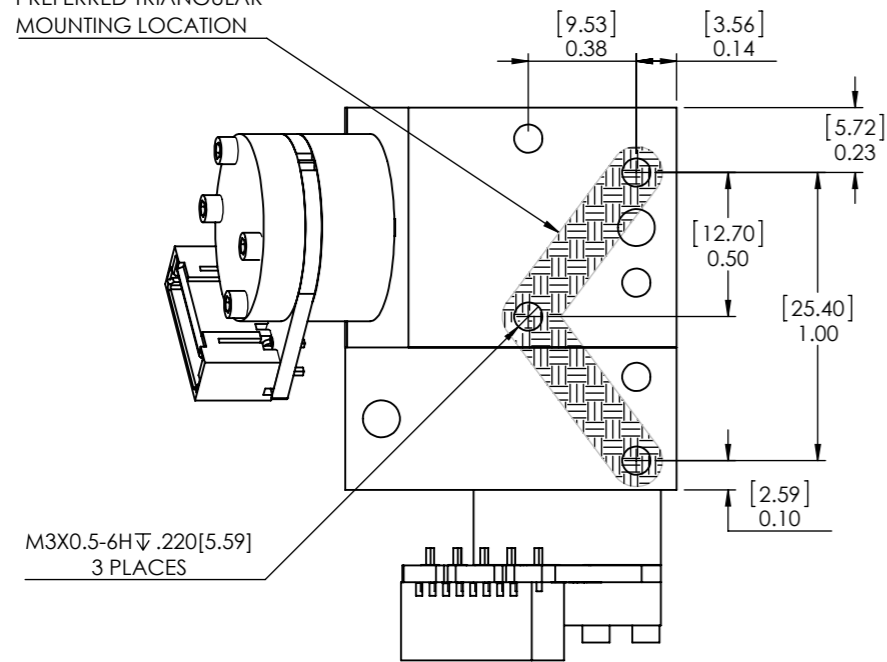
## 3mm ROUND BEAM SHOWN



TOP VIEW

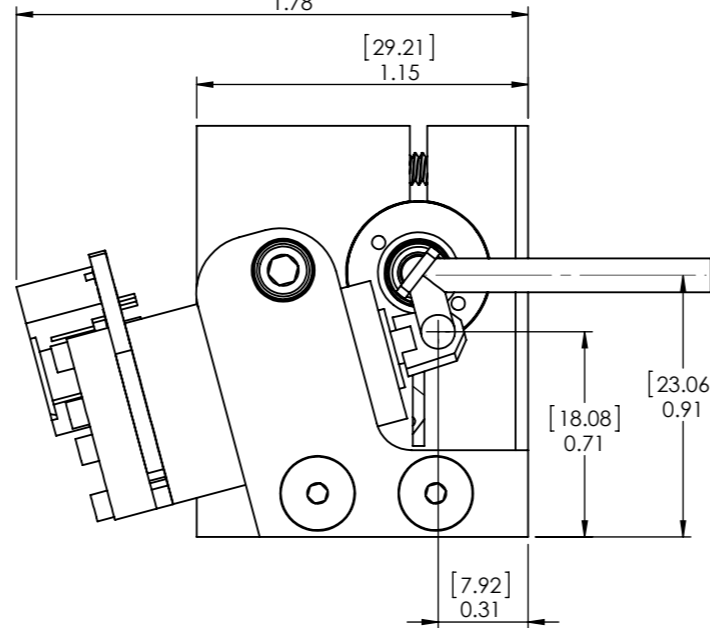


PREFERRED TRIANGULAR MOUNTING LOCATION

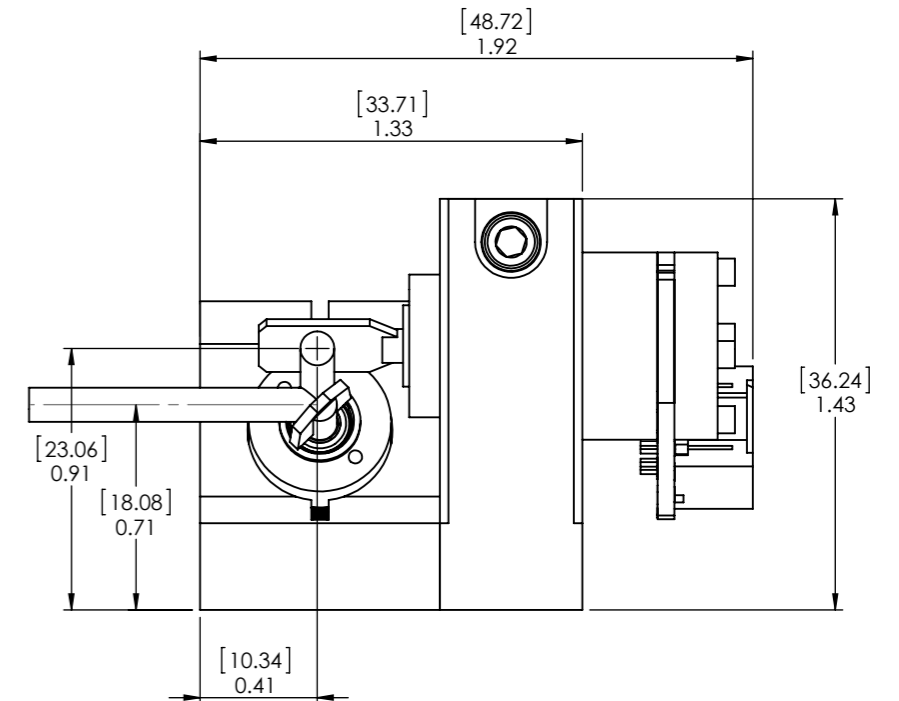


BOTTOM VIEW

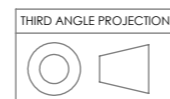
3MM BEAM INPUT



3MM BEAM OUTPUT



Mount Type	Beam Size	Horizontal Scan Angle	Vertical Scan Angle
X-Y Mount (with 15 degree setback)	3mm	60 Degrees	60 Degrees



		DO NOT SCALE DRAWING		REVISION
		<b>Pangolin Laser Systems, Inc.</b>		
NAME	DATE	TITLE:		
DRAWN R. Smith	Tuesday, August 11, 2015	<b>COMPACT 506 3mm XY Mount, LH Entry, 60 Degrees Optical</b>		
DIMENSIONS ARE IN INCHES [mm]				
MATERIAL:	VARIOUS	DWG NO.	C506_30_XY_LH	A3
WEIGHT:		SCALE: 1.5:1	SHEET 1 OF 1	