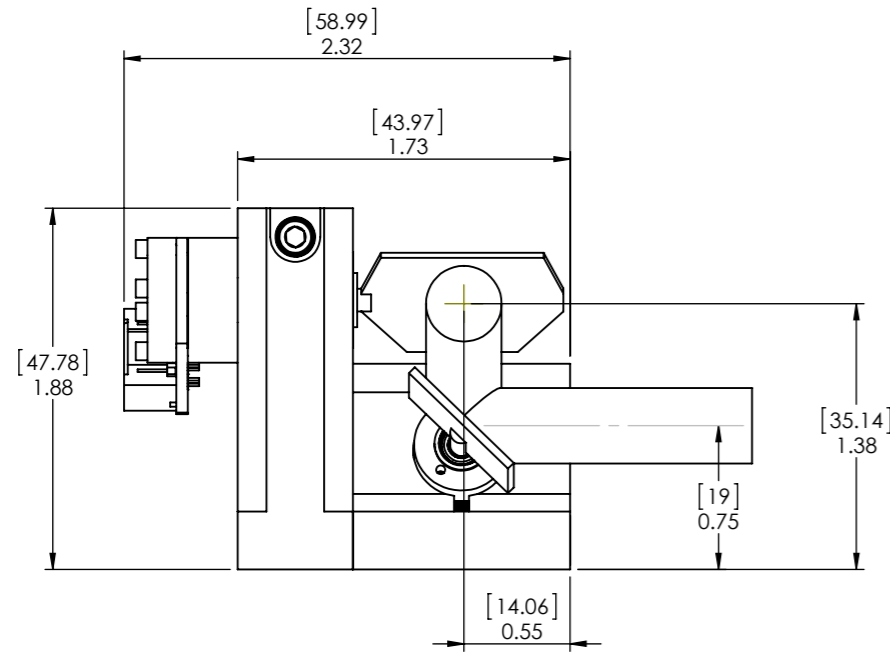
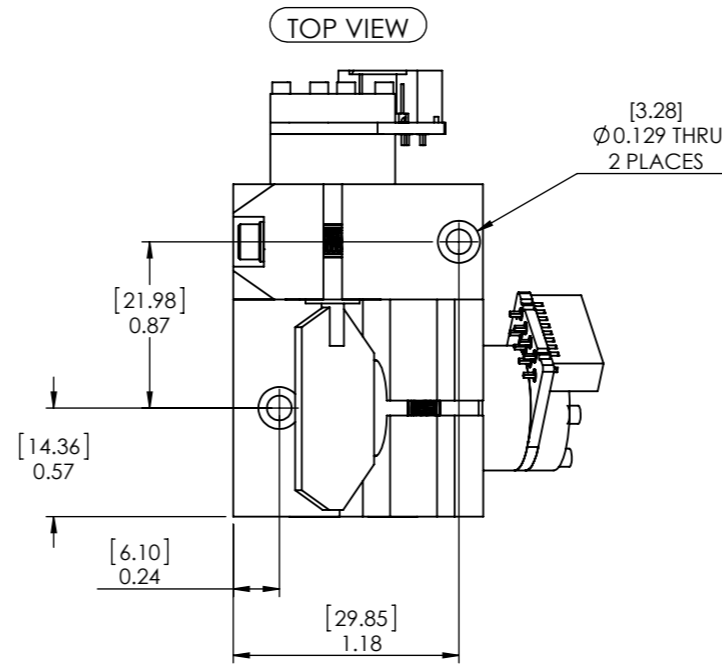
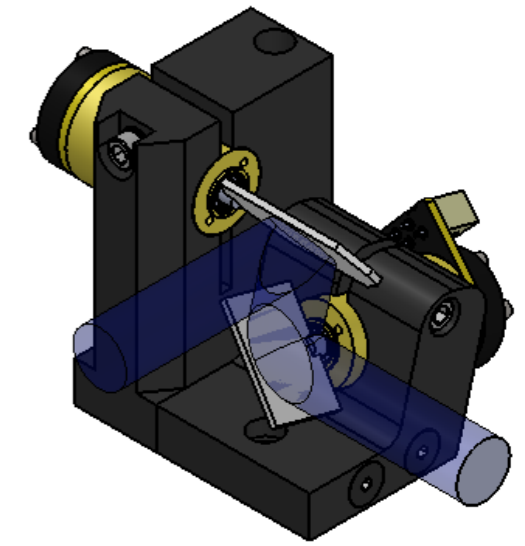
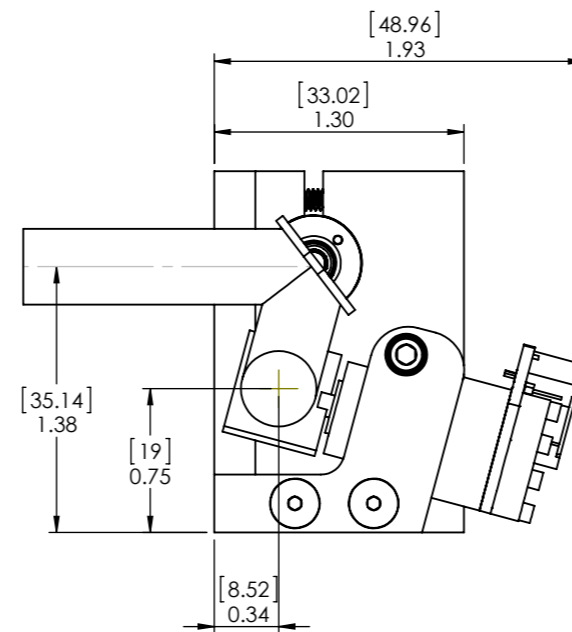


BEAM SHOWN WITH SCANNER IN CENTER POSITION

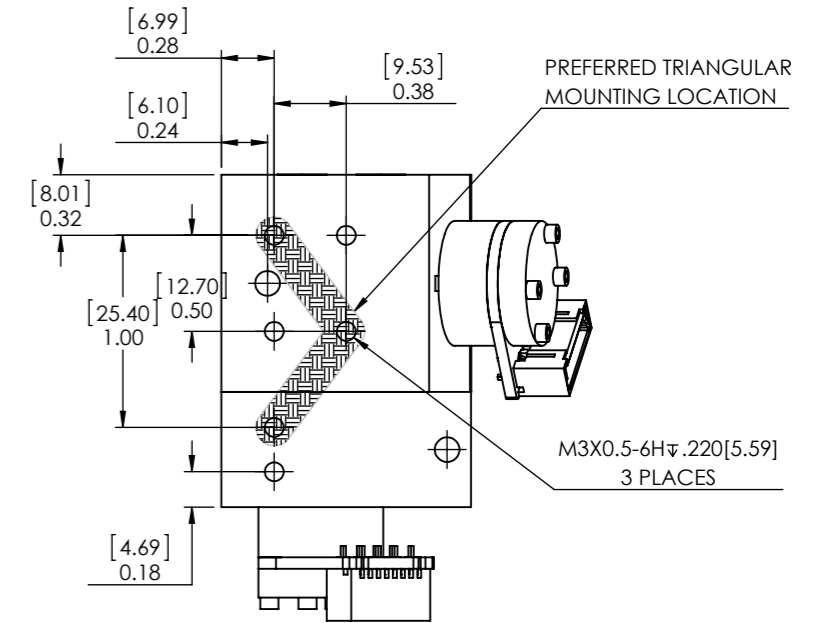
10mm ROUND BEAM SHOWN



10mm BEAM OUTPUT

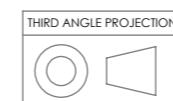



10mm BEAM INPUT



BOTTOM VIEW

Mount Type	Beam Size	Horizontal Scan Angle	Vertical Scan Angle
X-Y Mount (with 15 degree setback)	8mm	46 Degrees	56 Degrees
	9mm	45 Degrees	52 Degrees
	10mm	40 Degrees	40 Degrees



		DO NOT SCALE DRAWING		REVISION
		Pangolin Laser Systems, Inc.		
DRAWN		NAME	DATE	TITLE:
		R. Smith	Wednesday, July 22, 2015	COMPACT 506 10mm XY Mount, RH Entry, 40 Degrees Optical
DIMENSIONS ARE IN INCHES[mm]				
MATERIAL:		VARIOUS		DWG NO. C506_100_XY
WEIGHT:				A3
SCALE:1:1				SHEET 1 OF 1