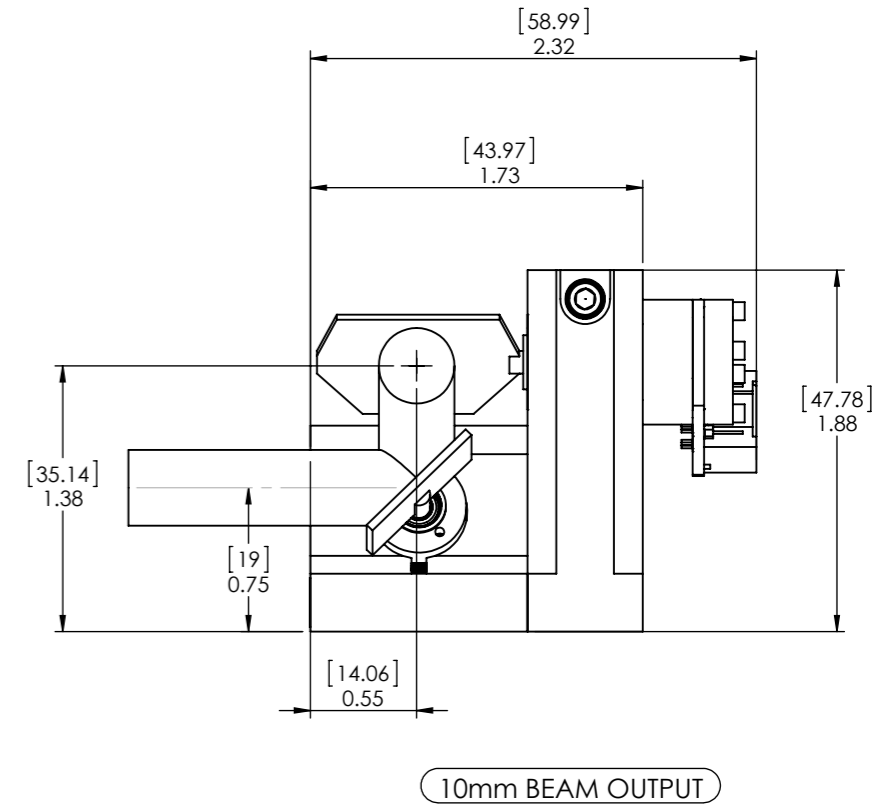
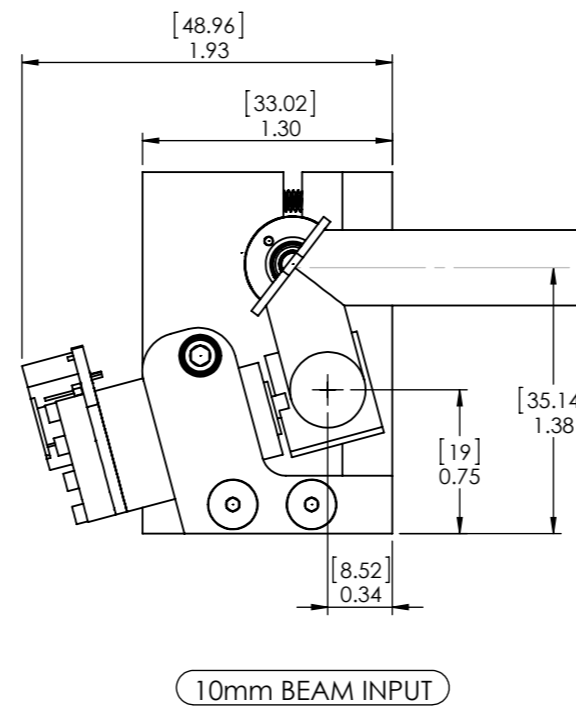
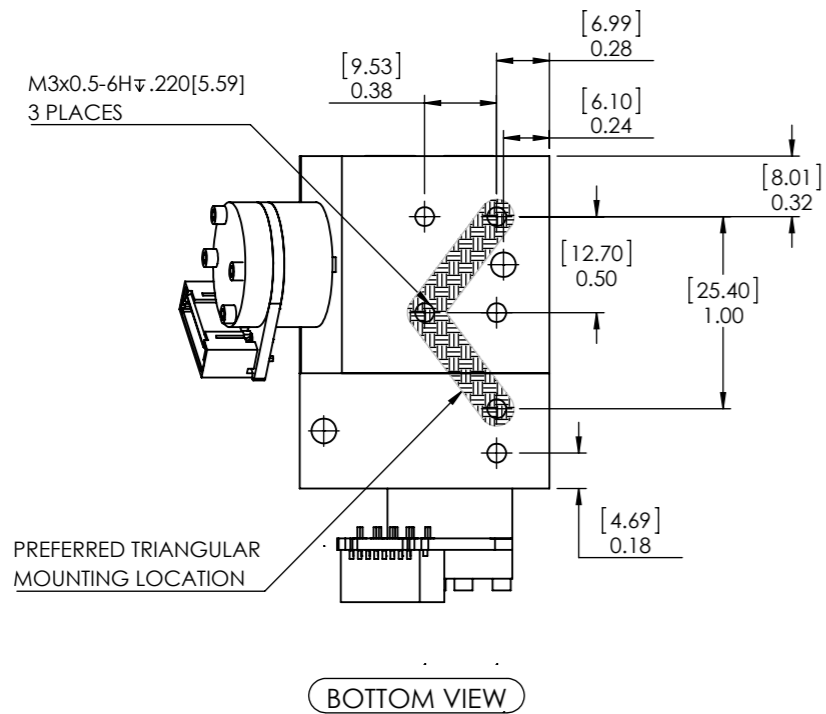
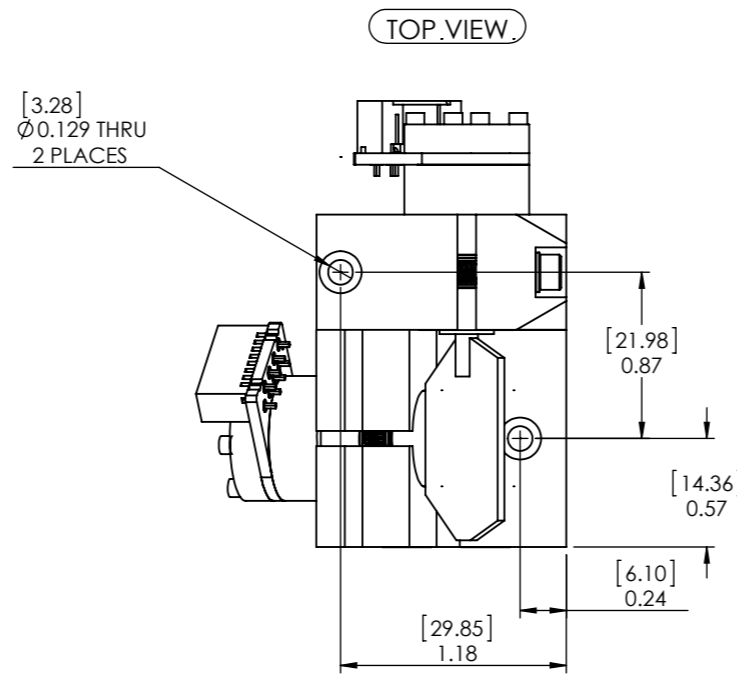
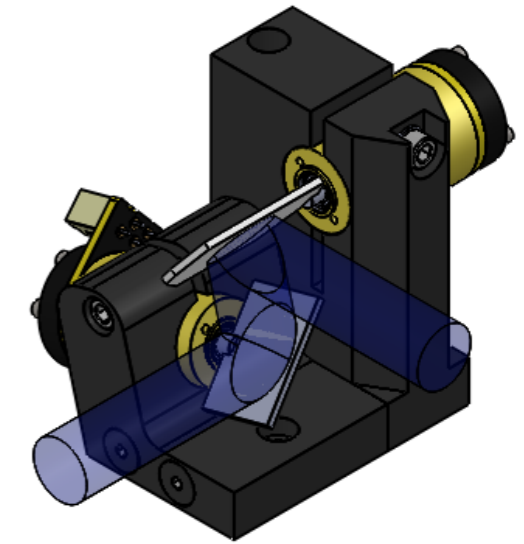
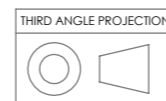


# BEAM SHOWN WITH SCANNER IN CENTER POSITION

## 10mm ROUND BEAM SHOWN



Mount Type	Beam Size	Horizontal Scan Angle	Vertical Scan Angle
X-Y Mount (with 15 degree setback)	8mm	46 Degrees	56 Degrees
	9mm	45 Degrees	52 Degrees
	10mm	40 Degrees	40 Degrees



		DO NOT SCALE DRAWING		REVISION
		<b>Pangolin Laser Systems, Inc.</b>		
DRAWN: R. Smith DATE: Wednesday, July 22, 2015 UNLESS OTHERWISE SPECIFIED: DIMENSIONS ARE IN INCHES UNLESS OTHERWISE SPECIFIED: TOLERANCES +/- 0.002 DEBUR AND BREAK SHARP EDGES		<b>COMPACT 506 10mm XY Mount, LH Entry, 40 Degrees Optical</b>		
MATERIAL: VARIOUS		DWG NO. C506_100_XY_LH		A3
WEIGHT:		SCALE: 1:1		SHEET 1 OF 1