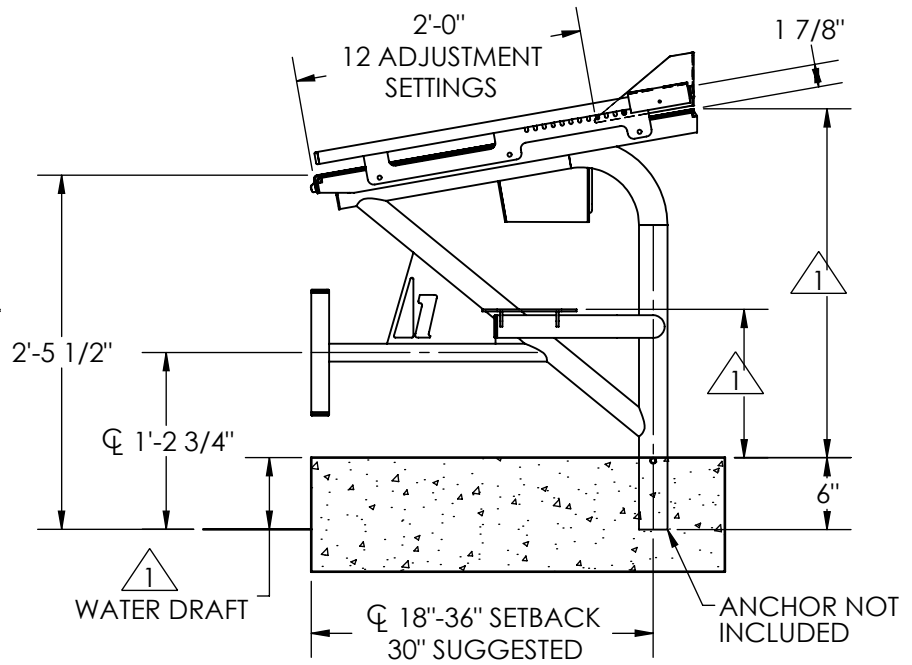
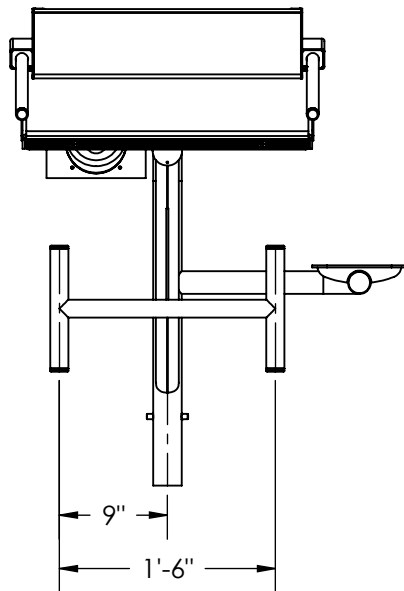
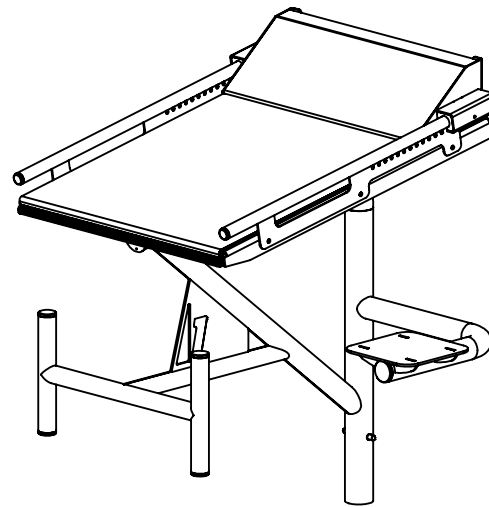
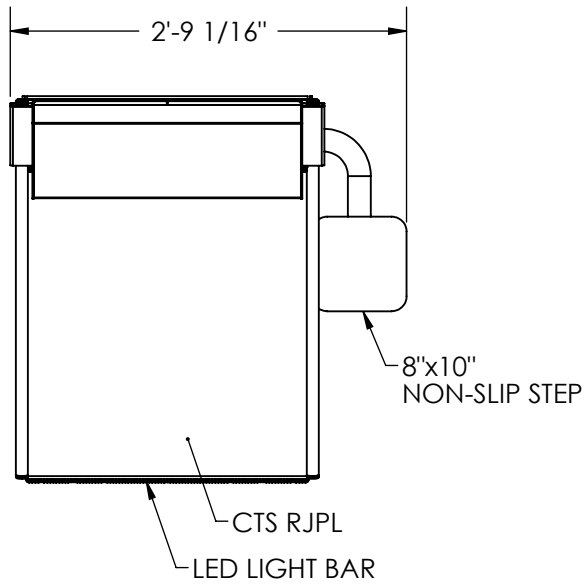


**STARTLINE
MODEL - FUSION BY SPECTRUM**



NOTE:

△ DIMENSIONS VARY WITH SPECIFIC APPLICATIONS.